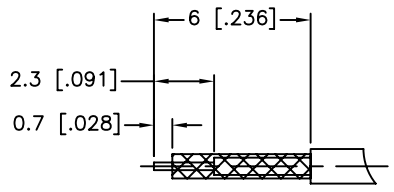
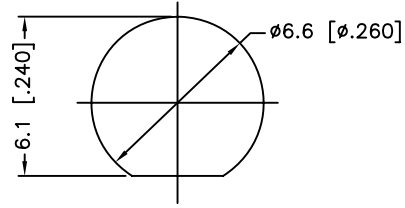


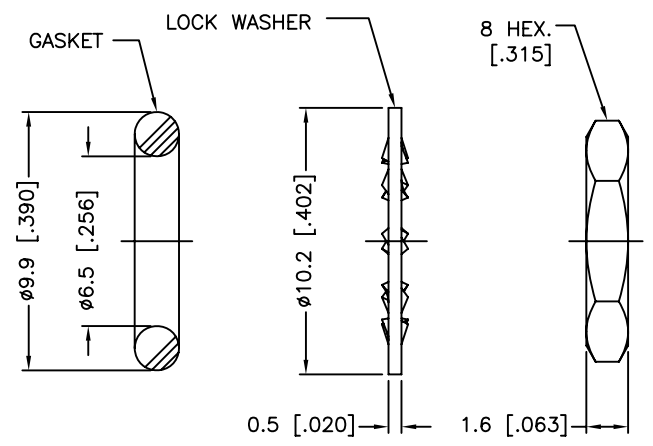
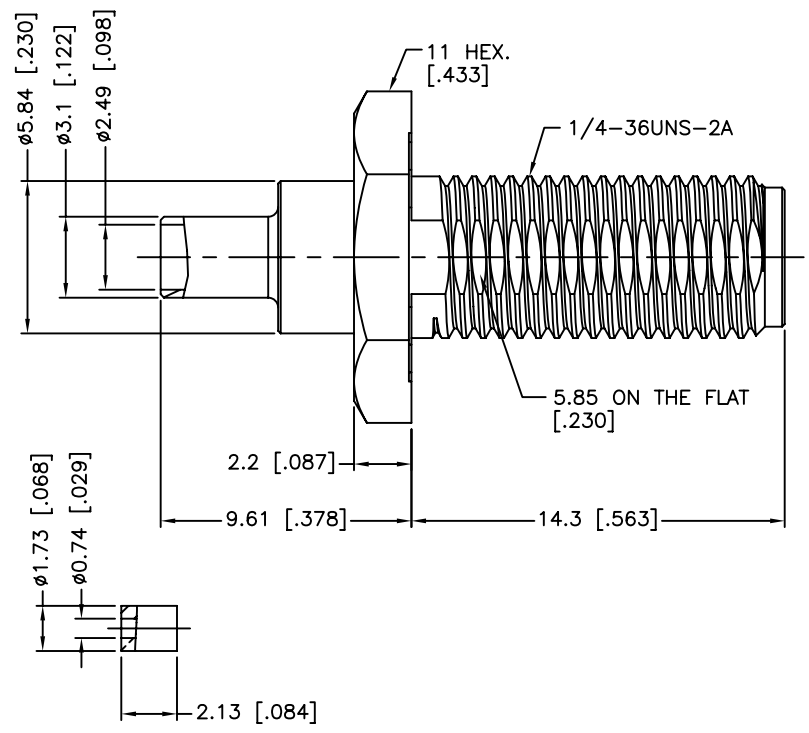
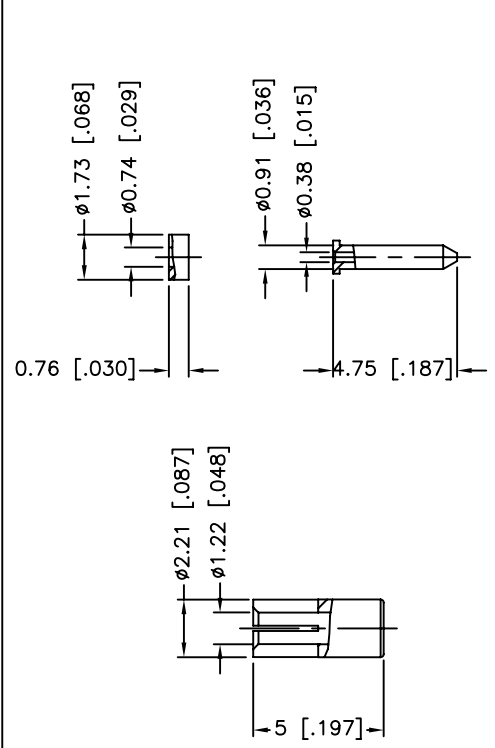
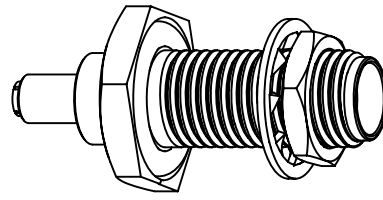
| REV. | DATE | ECR NO. | DESCRIPTION |
|------|----------|---------|-----------------|
| NC | 07/19/12 | XXXXXX | INITIAL RELEASE |



RECOMMENDED
CABLE STRIPPING DIM'S



RECOMMENDED
MOUNTING HOLE



1. IMPEDANCE: 50 OHM
2. FREQUENCY RANGE: DC 0-6 GHz
3. VSWR(RETURN LOSS): 1.28(18.22 dB), MAX.
4. DIELECTRIC WITHSTANDING VOLTAGE: 250 VRMS, MIN.
5. DURABILITY: 500 CYCLES MIN.
6. TEMPERATURE RANGE: -65°C TO +165°C
7. THE ASSEMBLIES MUST TEST BY SUBMERGING IN WATER FOR 1 MINUTE AT 8 PSI WITH NO VISIBLE LEAKAGE(COMPLIANT WITH IP67).
8. CRIMPED FERRULE
HEX CRIMP SIZE .100"
9. CONTACT PIN TO SOLDER
10. MAX. PANEL THICKNESS=5.95mm

| | | | | |
|----|---------------|----------------|---------|-----|
| 11 | HEX NUT | BRASS | GOLD | 1 |
| 10 | LOCK WASHER | BRASS | GOLD | 1 |
| 9 | GASKET | SILICON RUBBER | RED | 1 |
| 8 | INNER FERRULE | BRASS | GOLD | 1 |
| 7 | SLEEVE | BRASS | GOLD | 1 |
| 6 | INSULATOR | PTFE | NATURAL | 1 |
| 5 | CONTACT PIN | BRASS | GOLD | 1 |
| 4 | CONTACT PIN | BER. COPPER | GOLD | 1 |
| 3 | INSULATOR | PTFE | NATURAL | 1 |
| 2 | O-RING | SILICON RUBBER | RED | 1 |
| 1 | BODY | BRASS | GOLD | 1 |
| | DESCRIPTION | MATERIAL | FINISH | QTY |

UNLESS OTHERWISE SPECIFIED DIMENSIONS ARE IN MILLIMETERS. DIMENSIONS IN [] ARE IN INCHES AND FOR CUSTOMER REFERENCE ONLY.

UNLESS OTHERWISE SPECIFIED TOLERANCES FOR MILLIMETERS ARE:
0.5 - 8mm ± 0.20mm
8 - 30mm ± 0.40mm
30 - 120mm ± 0.50mm

UNLESS OTHERWISE SPECIFIED TOLERANCES FOR INCHES ARE:
.020 - .315 ± ± 0.007"
.315 - 1.180 ± ± 0.015"
1.180 - 4.724 ± ± 0.020"

DO NOT SCALE DRAWING

| | |
|-------------------------|----------|
| APPROVALS | DATE |
| DRAWN M.ZHANG | 07/19/12 |
| CHECKED | |
| ISSUED | |
| SHEET 1 OF 1 | |
| CAD FILE | |
| C:/CONNEX/132422-10.DWG | |

Amphenol Connex

PART DESCRIPTION
**SMA BULKHEAD CRIMP JACK, IP-67 COMPLIANT
(FOR 1.13 MM CABLE)**

PART NO.
132422-10

| | | | | | | | |
|----------|---------------|------|----|------|---|-------|----|
| DWG. NO. | 132422-10.DWG | REV. | NC | SIZE | A | SCALE | NA |
|----------|---------------|------|----|------|---|-------|----|

Mouser Electronics

Authorized Distributor

Click to View Pricing, Inventory, Delivery & Lifecycle Information:

[Amphenol:](#)

[132422-10](#)