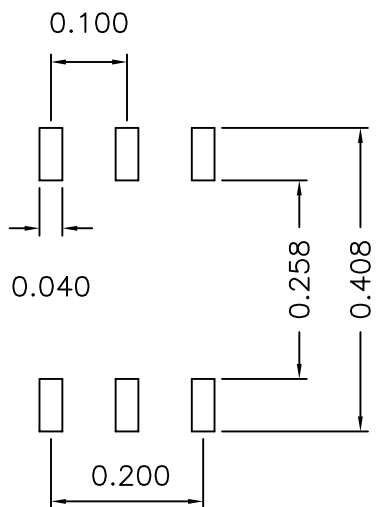
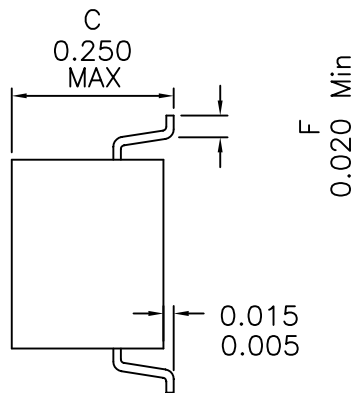
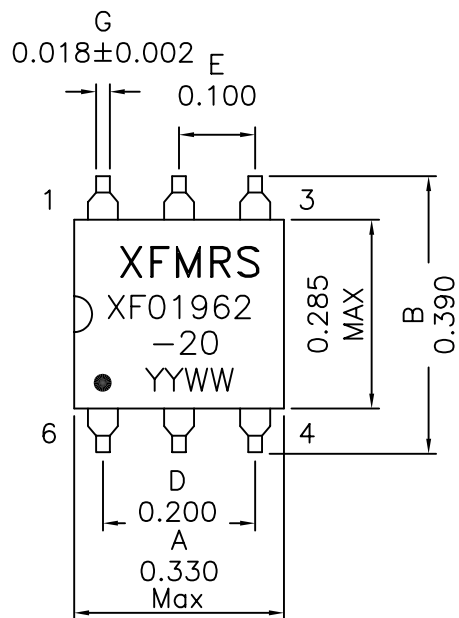


## 1. Mechanical Dimensions:

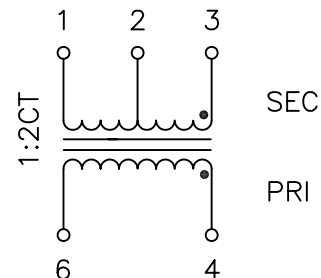


(Suggested Pad Layout)

### Notes:

1. Solderability: Leads shall meet MIL-STD-202, Method 208D for solderability.
2. Flammability: UL94V-0
3. ASTM oxygen index: > 28%
4. Insulation System: Class F 155°C. UL file E151556
5. Operating Temperature Range: All listed parameters are to be within tolerance from -40°C to +85°C
6. Storage Temperature Range: -55°C to +125°C
7. Aqueous wash compatible
8. SMD Lead Coplanarity:  $\pm 0.004'' (0.102\text{mm})$
9. Moisture Sensitivity: Level 2

## 2. Schematic:



## 3. Electrical Specifications:

OCL: Pins 4-6 19uH Min @100KHz 50mV

LL: Pins 4-6 0.06uH Max @1.0MHz 50mV, Short SEC

DCR: Pins 4-6 0.300 Ohms Max

DCR: Pins 3-1 0.250 Ohms Max

CW/W: Pins 4-3 10pF Max @1.0MHz 50mV

BANDWIDTH: 0.250-500MHz Typ with 75 Ohms System

URNS RATIO: Pins (4-6):(3-2-1)=1:2CT $\pm 3\%$

HIPOT: 1500Vac, PRI to SEC

|                    |                            |                 |
|--------------------|----------------------------|-----------------|
| <b>XFMRs Inc</b>   | Title: TRANSFORMERS        |                 |
|                    | UNLESS OTHERWISE SPECIFIED | P/N: XF01962-20 |
| TOLERANCES:        | .xxx $\pm 0.010$           | REV. B          |
| Dimensions in INCH | DWN. 李清儿                   | Jul-29-04       |
| SHEET 1 OF 1       | CHK. 孙悦                    | Jul-29-04       |
|                    | APP. Isaiah M              | Jul-29-04       |

DOC REV: B/6