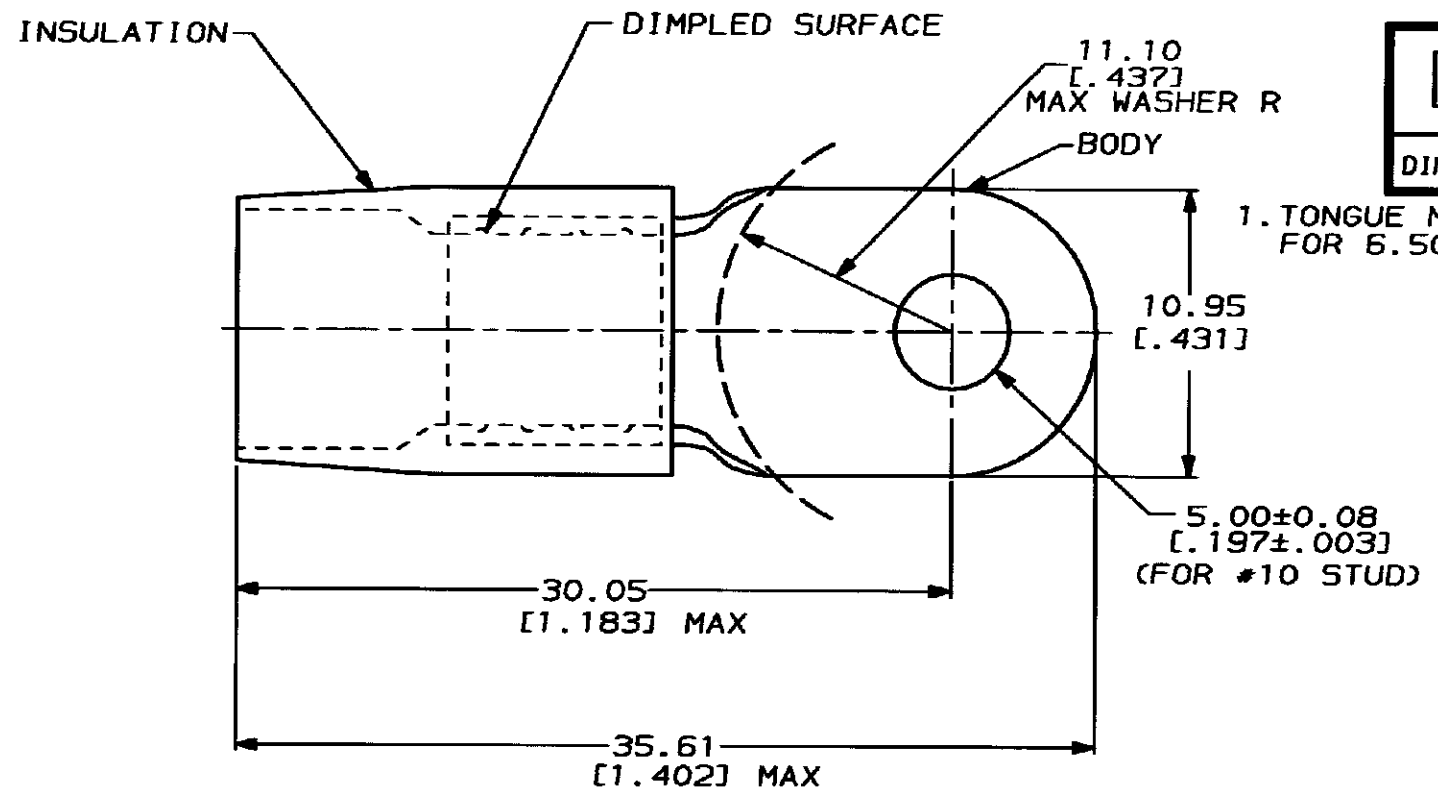


AMP
 WIRE RANGE
 8 AWG
 STRANDED

METRIC
 DIMENSIONS LISTED IN mm [INCHES]



1. TONGUE MATERIAL THK 1.02±0.08 [.040±.003] FOR 6.50 [.256] MAX WIRE INS DIA

AMP INCORPORATED CUSTOMER SERVICE SYSTEMS		MAX RECOMMENDED OPERATING TEMPERATURE: 105°C	MILITARY P/N AND CLASS M525036-115 CLASS 2	QTY	LOOSE PC	324043
FOR ADDITIONAL PRODUCT INFORMATION OR COPIES OF DRAWINGS AND TECHNICAL DOCUMENTS	PRODUCT INFORMATION CENTER 1-800-522-6752	VOLTAGE RATING: -	DO NOT SCALE PRINT. UNLESS SPECIFIED TOLERANCES ON: 2 PLC DEC * 0.20(.008) 3 PLC DEC * - ANGLES * -	DR 6-18-93 S.S. GOLDEN CHK 6-18-93 R. HERSEY APPD 6-18-93 S. BANC APPD 6-18-93 R. ELLIS	AMP AMP Incorporated Harrisburg, PA 17105-3608	
FOR APPLICATION TOOLING INFORMATION	TOOLING ASSISTANCE CENTER 1-800-722-1111	CIRCULAR MIL AREA: 6.64-10.5mm² [13,100-20,800] STRANDED	MATERIAL COPPER PER ASTM B-152 NYLON (MIL-M-20693) TYPE 1 COLOR: RED	PRODUCT SPEC	NAME TERMINAL, RING TONGUE, TERMINYL WIRE SIZE: 8 AWG	
FOR ORDER ENTRY	1-800-526-5142	THIS DRAWING IS A CONTROLLED DOCUMENT FOR AMP INCORPORATED. IT IS SUBJECT TO CHANGE AND THE CONTROLLING ENGINEERING ORGANIZATION SHOULD BE CONTACTED FOR THE LATEST REVISION.	FINISH TIN PLATE PER MIL-T-10727	APPLICATION SPEC	SIZE B	CASE CODE 00779
AMP 1476-15 REV 3-92 18 JUN 1993 14:21:35 AMPT1122 <U0128A>DEPT1132>AMPT1122>U.CUSTOMINYL				WEIGHT	SCALE NTS	DRAWING NO C-324043
					SHEET	1 OF 1

CUSTOMER DRAWING