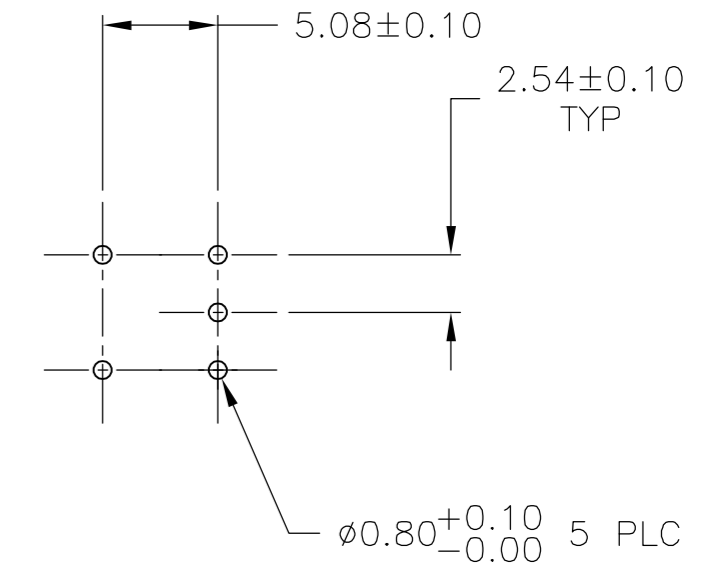
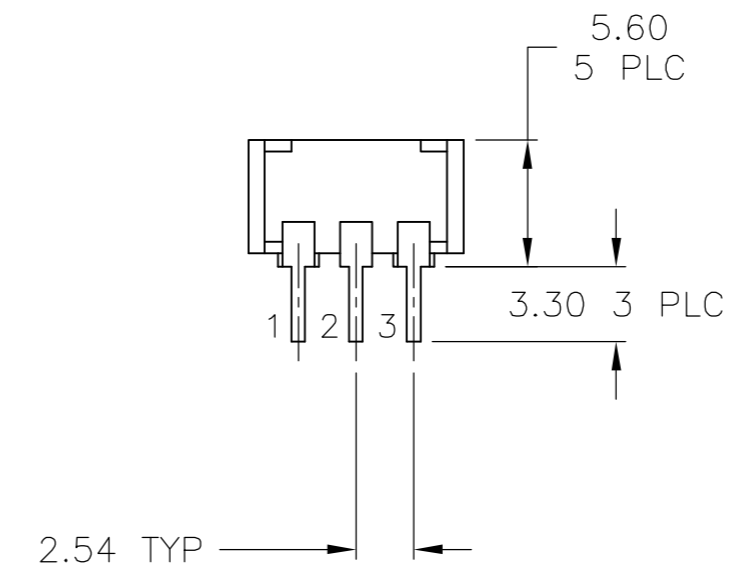
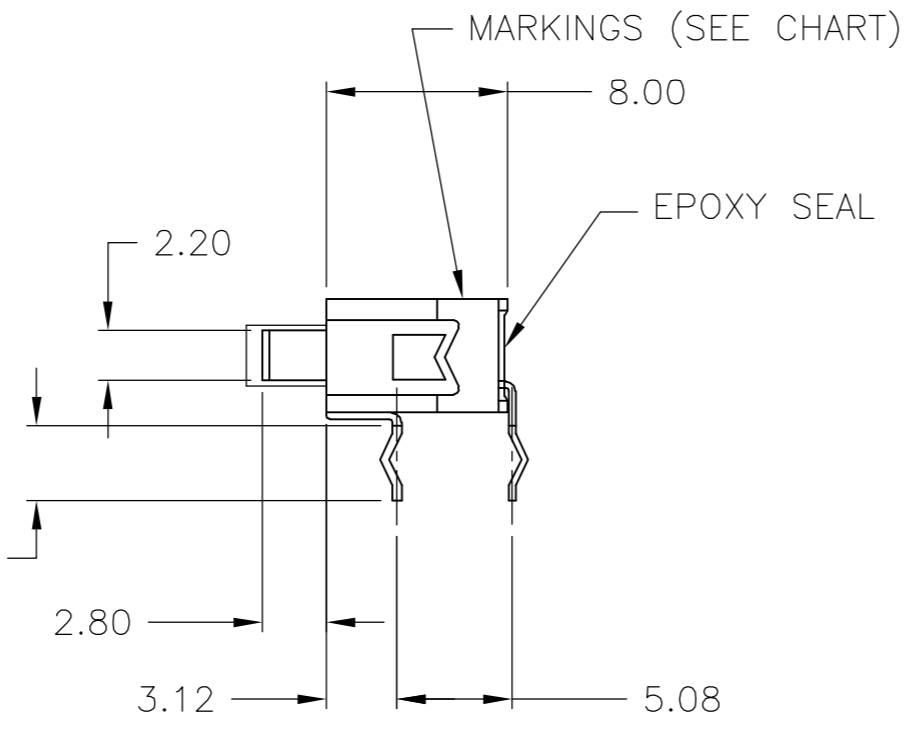
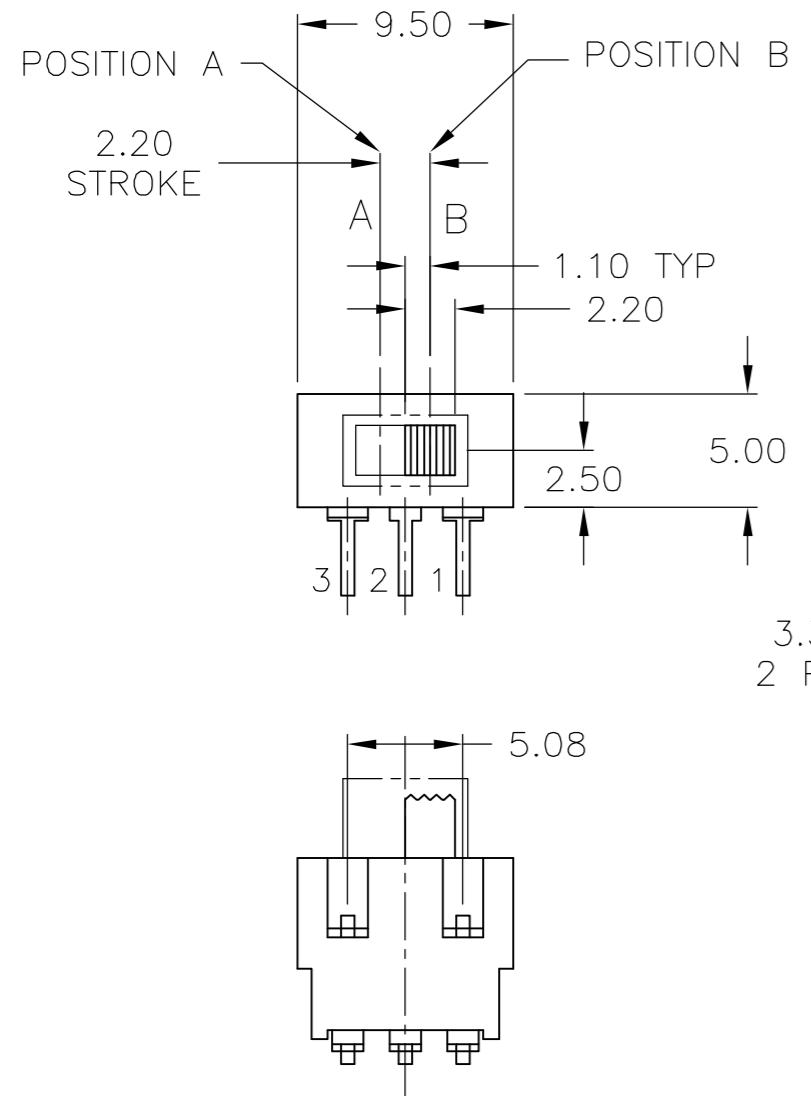


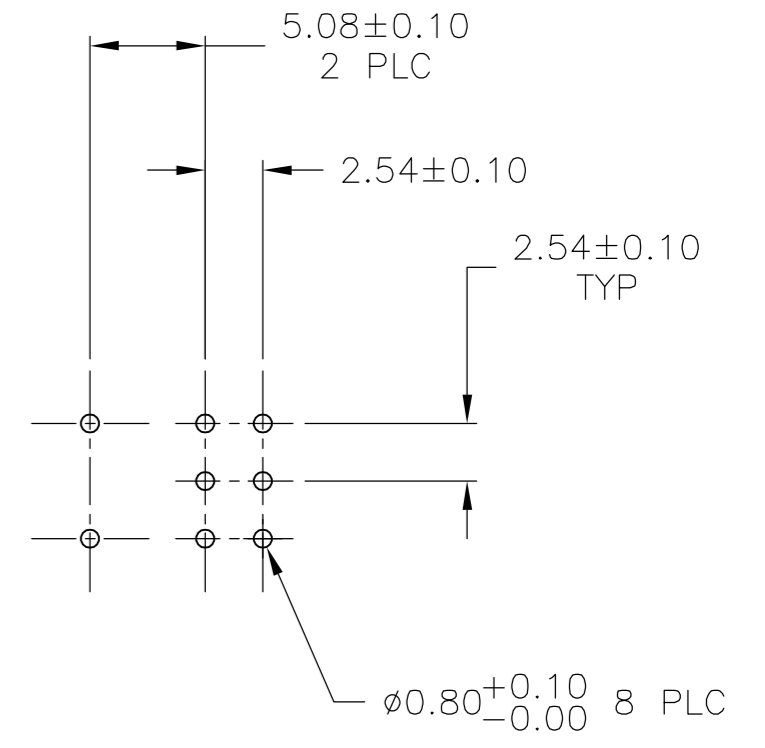
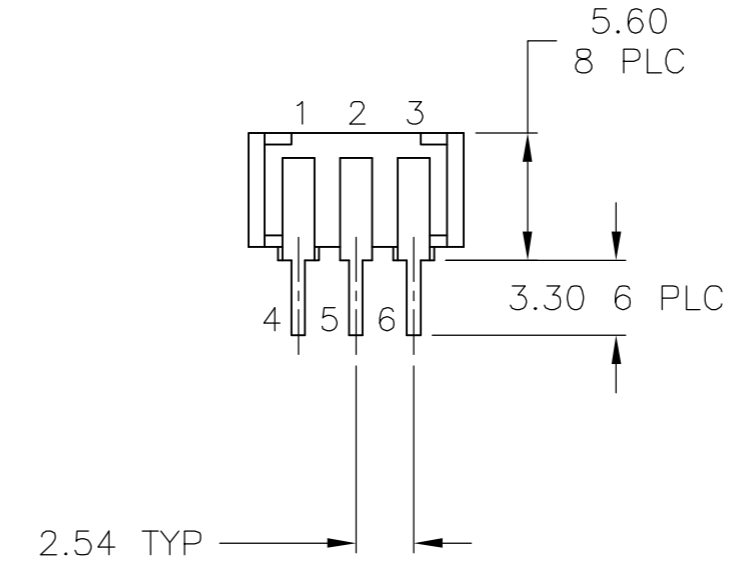
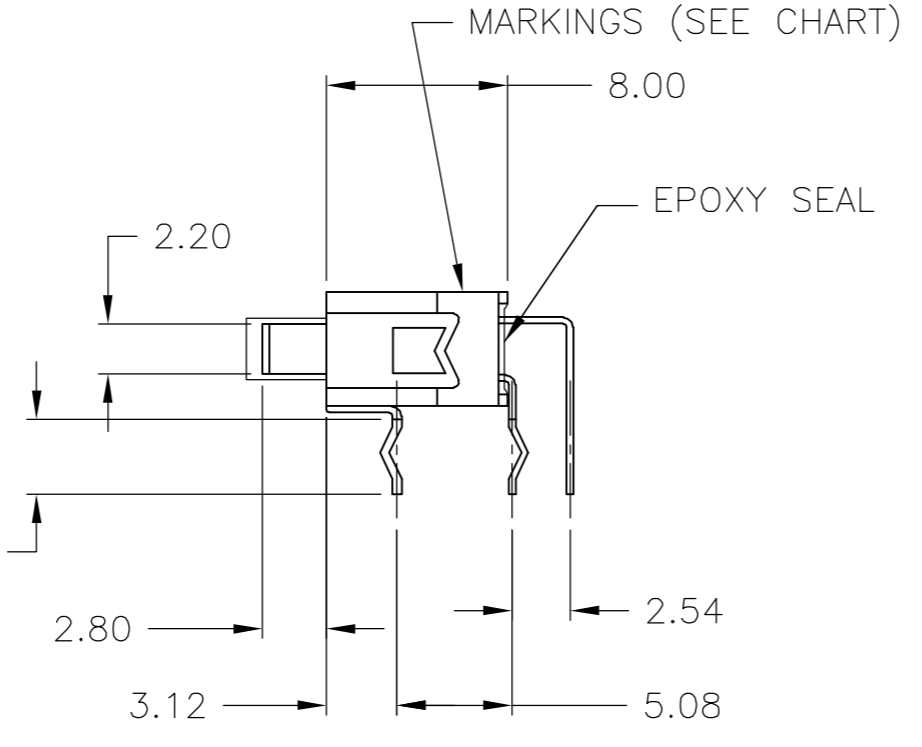
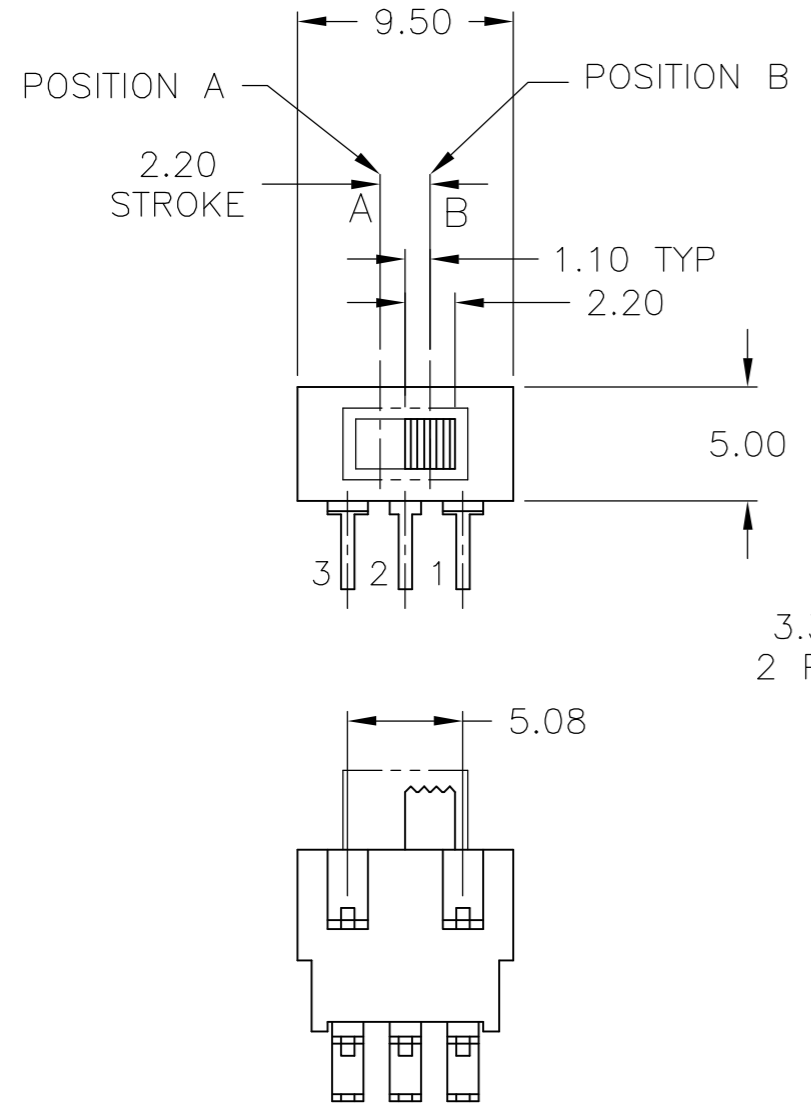
THIS DRAWING IS UNPUBLISHED. RELEASED FOR PUBLICATION
 © COPYRIGHT BY TYCO ELECTRONICS CORPORATION. ALL RIGHTS RESERVED.

Loc		DIST		REVISIONS			
P	LTR	DESCRIPTION	DATE	DWN	APVD		
	F	REVISED PER ECO-05-000926	24MAY06	GS	MS		



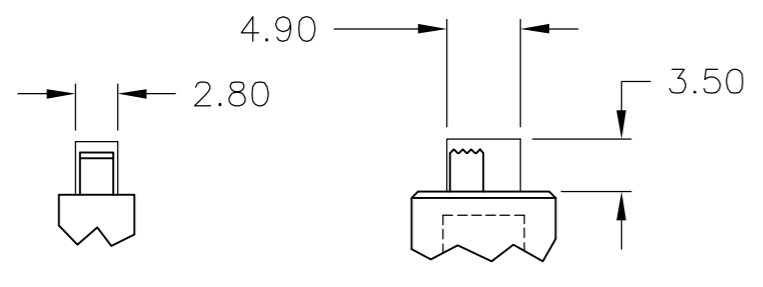
SINGLE POLE

RECOMENDED P.C. HOLE LAYOUT SINGLE POLE



DOUBLE POLE

RECOMENDED P.C. HOLE LAYOUT DOUBLE POLE



ACTUATOR BOOT DIMENSIONS SCALE 2:1

THIS DRAWING IS A CONTROLLED DOCUMENT.		DWN R BROWN 11DEC2001	Tyco Electronics Corporation Harrisburg, PA 17105	
DIMENSIONS: MM		CHK H WYNKOOP 11DEC01		
TOLERANCES UNLESS OTHERWISE SPECIFIED:		APVD H WYNKOOP 11DEC01	NAME SWITCH, SLIDE, RIGHT ANGLE, SEALED SE(**)GRA	
0 PLC ± -		PRODUCT SPEC	SIZE A2	
1 PLC ± -		APPLICATION SPEC	CAGE CODE 00779	DRAWING NO C=1-1437574-1
2 PLC ± 0.25		WEIGHT -	RESTRICTED TO -	
3 PLC ± -		CUSTOMER DRAWING	SCALE 3:1	SHEET 1 OF 2
4 PLC ± -				REV F
ANGLES ± 0°30'				
FINISH -				

1-1437574-1

THIS DRAWING IS UNPUBLISHED. RELEASED FOR PUBLICATION
 © COPYRIGHT BY TYCO ELECTRONICS CORPORATION. ALL RIGHTS RESERVED.

LOC	DIST	REVISIONS			
P	LTR	DESCRIPTION	DATE	DWN	APVD
AD	00	SEE SHEET 1	-	-	-

- OPERATING TEMPERATURE: -20°C TO 80°C.
- STORAGE TEMPERATURE: -40°C TO 80°C.
- CONTACT TIMING: NON-SHORTING.
- CONTACT RATING: 0.4VA @ 20VDC.
- CONTACT RATING MAXIMUM: 50mA 48V AC/DC.
- CONTACT RATING MINIMUM: 1µA 20mV AC/DC.
- CONTACT PLATING: GOLD PLATE OVER NICKEL.
- TERMINAL LEAD PLATING: TIN-LEAD OVER NICKEL.
- FRAME PLATING: TIN OVER NICKEL.
- INITIAL CONTACT RESISTANCE: LESS THAN 50 MILLIOHMS PER EIA 364-23B.
- FINAL CONTACT RESISTANCE: 100 MILLIOHMS MAX PER EIA 364-23B.
- INSULATION RESISTANCE: 500 MEGOHMS MIN AT 250VDC PER EIA 364-21C.
- DIELECTRIC STRENGTH: 500VAC BETWEEN TERMINALS AND GROUND PER EIA 364-20B, CONDITION 1.
- VIBRATION PER EIA 364-28D, CONDITION VII, LEVEL E.
- MECHANICAL SHOCK PER EIA 364-27B, CONDITION A.

16. LIFE EXPECTANCY: ON-OFF ELECTRICAL SWITCHING OPERATIONS PER EIA 364-9C
 10 CYCLES PER MINUTE AT THE FOLLOWING RATED LOAD.

TYPE	MAXIMUM CONTACT RATING	0.4 VA	MINIMUM CONTACT RATING
D.E	10000 (OPERATIONS)	30000 (OPERATIONS)	30000 (OPERATIONS)

- ACTUATION FORCE: 70-500g PER EIA 364-13B.
- THERMAL SHOCK PER EIA 364-32C, -25°C TO 85°C.
- HUMIDITY-TEMPERATURE CYCLING PER EIA 364-31B, METHOD III.
- TEMPERATURE LIFE PER EIA 364-17B, METHOD B, TEMPERATURE TEST CONDITION 3, TIME CONDITION B.
- RESISTANCE TO SOLDERING HEAT PER EIA 364-56 PROCEDURE 3, TEST CONDITION B.
- SOLDERABILITY PER EIA 364-52, CLASS 2, CATEGORY 1.
- SEALED PER IEC 529, IP67.

COLOR- WHITE	PET FILM UL94-HB	SLIDE PLATE
COLOR- BLACK	PA46 UL94V-0 30% GLASS FILLED	TERMINAL BOARD
-	STAINLESS STEEL	COIL SPRING
COLOR- WHITE	PA46 UL94V-0 30% GLASS FILLED	PLUNGER
-	SILICON RUBBER	ACTUATOR BOOT
-	EPOXY	TERMINAL SEAL
7	PHOSPHOR BRONZE	MOVABLE CONTACT
7	PHOSPHOR BRONZE	FIXED CONTACT
8	PHOSPHOR BRONZE	TERMINAL
COLOR- YELLOW	PA46 UL94V-0 30% GLASS FILLED	ACTUATOR
9	BRASS	FRAME
COLOR- GRAY	PA46 UL94V-0 30% GLASS FILLED	CASE
FINISH	MATERIAL	PART DESCRIPTION

ON	OFF	ON	tyco	SE2EGRA	2-1437574-1
2-3 5-6		2-1 5-4	CHINA		
ON 2-3 5-6	NONE	ON 2-1 5-4	tyco CHINA	SE2DGRA	1-1437574-8
ON 2-3	OFF	ON 2-1	tyco CHINA	SE1EGRA	1-1437574-5
ON 2-3	NONE	ON 2-1	tyco CHINA	SE1DGRA	1-1437574-1
TYCO POSITION A	TYCO	TYCO POSITION B	MARKINGS	ALCOSWITCH PART NUMBER	TYCO PART NUMBER
CIRCUIT ARRANGEMENT			CIRCUIT CHARACTERISTICS		

THIS DRAWING IS A CONTROLLED DOCUMENT.

DWN R BROWN 11DEC2001	Tyco Electronics Corporation Harrisburg, PA 17105
CHK H WYNKOOP 11DEC01	
APVD H WYNKOOP 11DEC01	
PRODUCT SPEC	
APPLICATION SPEC	NAME SWITCH, SLIDE, RIGHT ANGLE, SEALED SE(**)GRA
WEIGHT -	SIZE A2 CAGE CODE 00779 DRAWING NO C=1-1437574-1 RESTRICTED TO -
CUSTOMER DRAWING	SCALE 3:1 SHEET 2 OF 2 REV F