

TOSHIBA CMOS DIGITAL INTEGRATED CIRCUIT SILICON MONOLITHIC

TC74HC4051AP, TC74HC4051AF, TC74HC4051AFT
TC74HC4052AP, TC74HC4052AF, TC74HC4052AFT
TC74HC4053AP, TC74HC4053AF, TC74HC4053AFN, TC74HC4053AFT

TC74HC4051AP/AF/AFT 8 - CHANNEL ANALOG MULTIPLEXER / DEMULTIPLEXER
TC74HC4052AP/AF/AFT DUAL 4 - CHANNEL ANALOG MULTIPLEXER / DEMULTIPLEXER
TC74HC4053AP/AF/AFN/AFT TRIPLE 2 - CHANNEL ANALOG MULTIPLEXER / DEMULTIPLEXER

The TC74HC4051A/4052A/4053A are high speed CMOS ANALOG MULTIPLEXER/DEMULTIPLEXER fabricated with silicon gate C²MOS technology. They achieve the high speed operation similar to equivalent LSTTL while maintaining the CMOS low power dissipation.

The TC74HC4051A has an 8 channel configuration, the TC74HC4052A has a 4 channel×2 configuration and the TC74HC4053A has a 2 channel×3 configuration.

The digital signal to the control terminal turns "ON" the corresponding switch of each channel a large amplitude signal (V_{CC}-V_{EE}) can then be switched by the small logical amplitude (V_{CC}-GND) control signal.

For example, in the case of V_{CC}=5V, GND=0V, V_{EE}=-5V, signals between -5V and +5V can be switched from the logical circuit with a single power supply of 5V. As the ON-resistance of each switch is low, they can be connected to circuits with low input impedance.

All inputs are equipped with protection circuits against static discharge or transient excess voltage.

FEATURES :

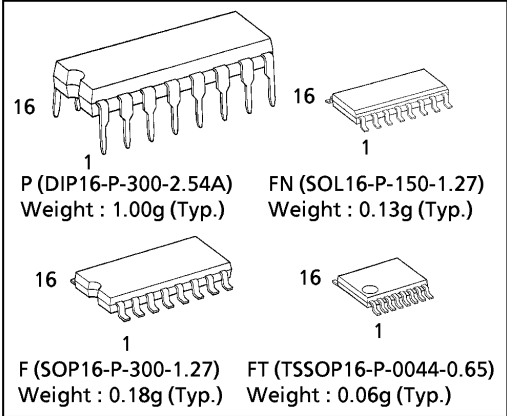
- High Speed.....t_{pd} = 15ns(typ.) at V_{CC} = 5V
V_{EE} = 0V
- Low Power Dissipation.....I_{CC} = 4μA(Max.) at Ta = 25°C
- High Noise Immunity.....V_{NIH} = V_{NIL} = 28% V_{CC} (Min.)
- Low ON Resistance.....R_{ON} = 50Ω (typ.)
at V_{CC}-V_{EE} = 9V
- High Noise Immunity.....THD = 0.02% (typ.)
at V_{CC}-V_{EE} = 9V
- Pin and Function Compatible with 4051/4052/4053B

TRUTH TABLE

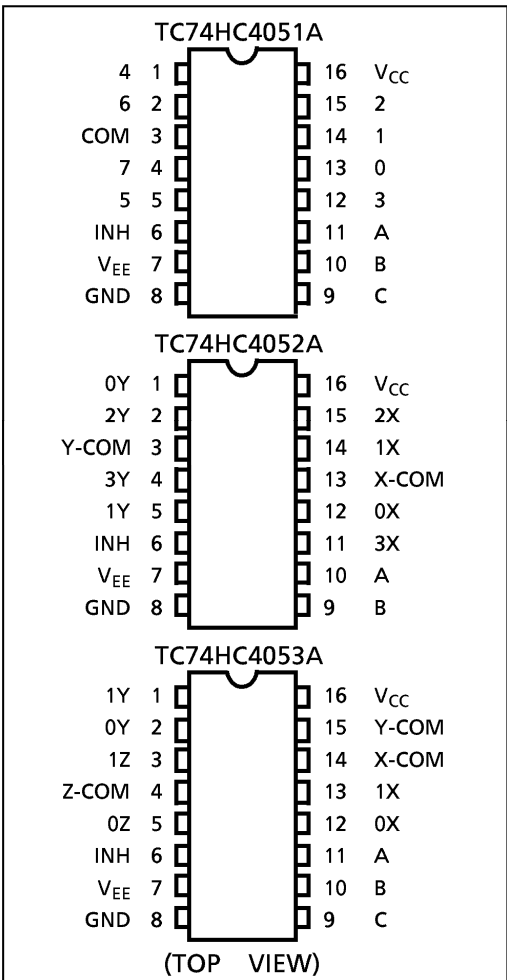
CONTROL INPUTS				"ON" CHANNEL		
INHIBIT	C*	B	A	HC4051A	HC4052A	HC4053A
L	L	L	L	0	0X, 0Y	0X,0Y,0Z
L	L	L	H	1	1X, 1Y	1X,0Y,0Z
L	L	H	L	2	2X, 2Y	0X,1Y,0Z
L	L	H	H	3	3X, 3Y	1X,1Y,0Z
L	H	L	L	4	--	0X,0Y,1Z
L	H	L	H	5	--	1X,0Y,1Z
L	H	H	L	6	--	0X,1Y,1Z
L	H	H	H	7	--	1X,1Y,1Z
H	X	X	X	NONE	NONE	NONE

X : Don't Care, * : Except HC4052A

(Note) The JEDEC SOP (FN) is not available in Japan.



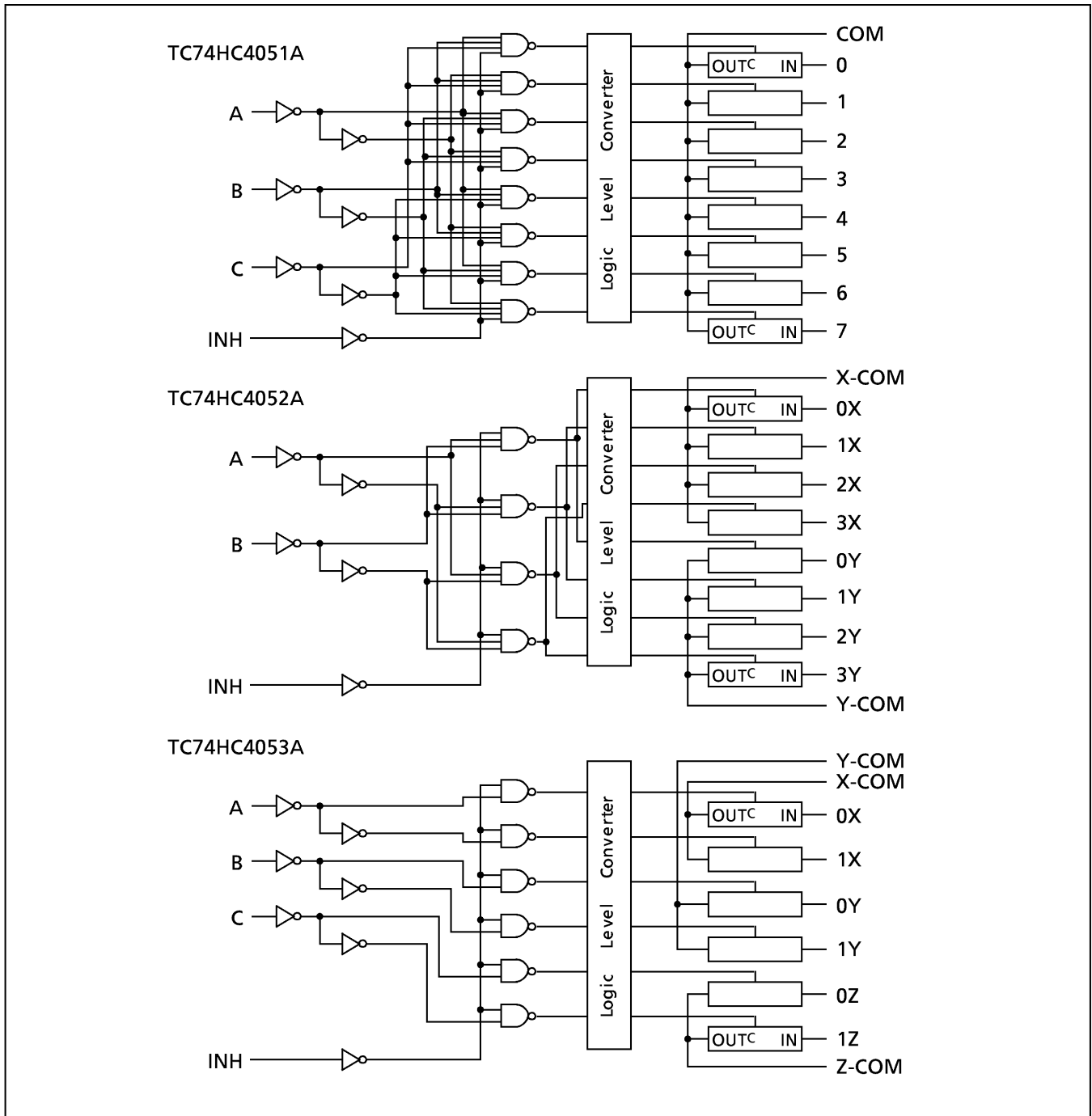
PIN ASSIGNMENT



961001EBA2

● TOSHIBA is continually working to improve the quality and the reliability of its products. Nevertheless, semiconductor devices in general can malfunction or fail due to their inherent electrical sensitivity and vulnerability to physical stress. It is the responsibility of the buyer, when utilizing TOSHIBA products, to observe standards of safety, and to avoid situations in which a malfunction or failure of a TOSHIBA product could cause loss of human life, bodily injury or damage to property. In developing your designs, please ensure that TOSHIBA products are used within specified operating ranges as set forth in the most recent products specifications. Also, please keep in mind the precautions and conditions set forth in the TOSHIBA Semiconductor Reliability Handbook.

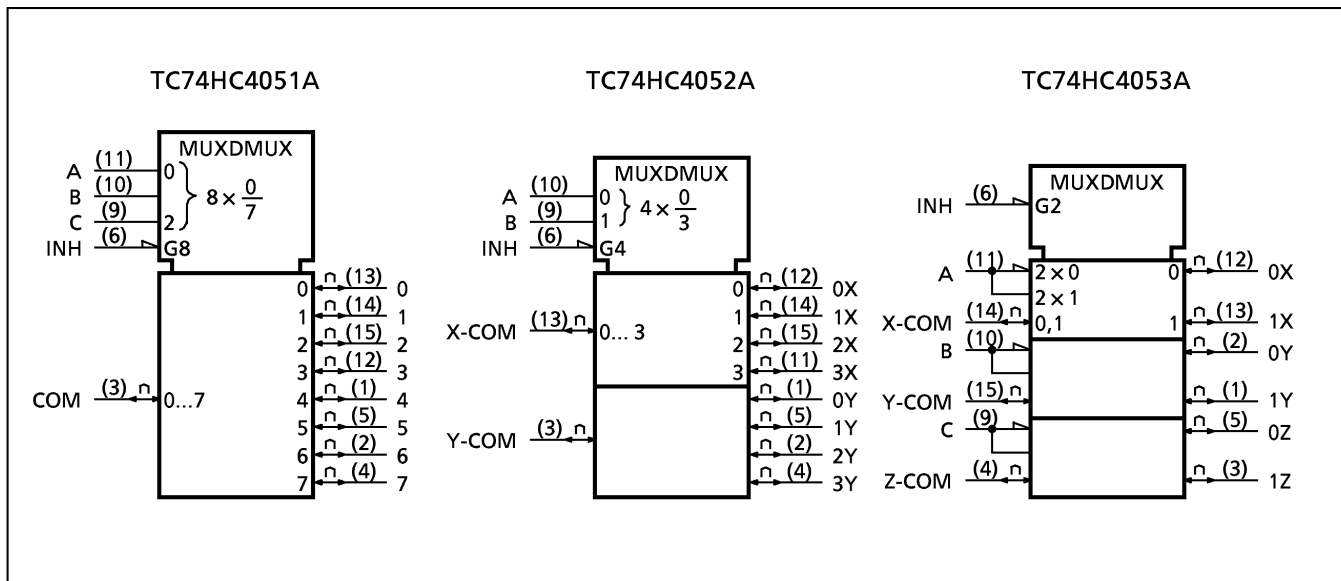
SYSTEM DIAGRAM



961001EBA2'

- The products described in this document are subject to foreign exchange and foreign trade control laws.
- The information contained herein is presented only as a guide for the applications of our products. No responsibility is assumed by TOSHIBA CORPORATION for any infringements of intellectual property or other rights of the third parties which may result from its use. No license is granted by implication or otherwise under any intellectual property or other rights of TOSHIBA CORPORATION or others.
- The information contained herein is subject to change without notice.

IEC LOGIC SYMBOL



ABSOLUTE MAXIMUM RATINGS

PARAMETER	SYMBOL	VALUE	UNIT
Supply Voltage Range	V_{CC}	-0.5~7	V
Supply Voltage Range	$V_{CC}-V_{EE}$	-0.5~13	V
Control Input Voltage	V_{IN}	-0.5~ $V_{CC}+0.5$	V
Switch I/O Voltage	$V_{I/O}$	$V_{EE}-0.5\sim V_{CC}+0.5$	V
Control Input Diode Current	I_{ICK}	± 20	mA
I/O Diode Current	I_{IOK}	± 20	mA
Switch through Current	I_T	± 25	mA
DC V_{CC} or Ground Current	I_{CC}	± 50	mA
Power Dissipation	P_D	500 (DIP)* / 180 (SOP, TSSOP)	mW
Storage Temperature	T_{stg}	-65~150	°C

*500mW in the range of $T_a = -40^\circ\text{C}\sim 65^\circ\text{C}$. From $T_a = 65^\circ\text{C}$ to 85°C a derating factor of $-10\text{mW}/^\circ\text{C}$ shall be applied until 300mW.

RECOMMENDED OPERATING CONDITIONS

PARAMETER	SYMBOL	VALUE	UNIT
Supply Voltage Range	V_{CC}	2~6	V
Supply Voltage Range	V_{EE}	-6~0	V
Supply Voltage Range	$V_{CC}-V_{EE}$	2~12	V
Control Input Voltage	V_{IN}	0~ V_{CC}	V
Switch I/O Voltage	$V_{I/O}$	$V_{EE}\sim V_{CC}$	V
Operating Temperature	T_{opr}	-40~85	°C
Control Input Rise and Fall Time	t_r, t_f	0~1000 ($V_{CC} = 2.0\text{V}$) 0~500 ($V_{CC} = 4.5\text{V}$) 0~400 ($V_{CC} = 6.0\text{V}$)	ns

DC ELECTRICAL CHARACTERISTICS

PARAMETER	SYMBOL	TEST CONDITION			Ta = 25°C			Ta = -40~85°C		UNIT
			V _{EE} (V)	V _{CC} (V)	MIN.	TYP.	MAX.	MIN.	MAX.	
High - Level Control Input Voltage	V _{IHC}			2.0 4.5 6.0	1.50 3.15 4.20	— — —	— — —	1.50 3.15 4.20	— — —	V
Low - Level Control Input Voltage	V _{ILC}			2.0 4.5 6.0	— — —	— — —	0.50 1.35 1.80	— — —	0.50 1.35 1.80	
ON Resistance	R _{ON}	V _{IN} = V _{ILC} or V _{IHC} V _{I/O} = V _{CC} to V _{EE} I _{I/O} ≤ 2mA	GND -4.5 -6.0	4.5 4.5 6.0	— — —	85 55 50	180 120 100	— — —	225 150 125	Ω
		V _{IN} = V _{ILC} or V _{IHC} V _{I/O} = V _{CC} or V _{EE} I _{I/O} ≤ 2mA	GND GND -4.5 -6.0	2.0 4.5 4.5 6.0	— — — —	150 70 50 45	— 150 100 80	— — — —	— 190 125 100	
Difference of ON Resistance Between Switches	ΔR _{ON}	V _{IN} = V _{ILC} or V _{IHC} V _{I/O} = V _{CC} to V _{EE} I _{I/O} ≤ 2mA	GND -4.5 -6.0	4.5 4.5 6.0	— — —	10 5 5	30 12 10	— — —	35 15 12	
Input / Output Leakage Current (SWITCH OFF)	I _{OFF}	V _{OS} = V _{CC} or GND V _{IS} = GND or V _{CC} V _{IN} = V _{ILC} or V _{IHC}	GND -6.0	6.0 6.0	— —	— —	± 60 ± 100	— —	± 600 ± 1000	nA
Switch Input Leakage Current (SWITCH ON)	I _{IZ}	V _{OS} = V _{CC} or GND V _{IN} = V _{ILC} or V _{IHC}	GND -6.0	6.0 6.0	— —	— —	± 60 ± 100	— —	± 600 ± 1000	
Control Input Current	I _{IN}	V _{IN} = V _{CC} or GND	GND	6.0	—	—	± 0.1	—	± 1.0	μA
Quiescent Supply Current	I _{CC}	V _{IN} = V _{CC} or GND	GND -6.0	6.0 6.0	— —	— —	4.0 8.0	— —	40.0 80.0	

AC ELECTRICAL CHARACTERISTICS (C_L = 50pF, Input t_r = t_f = 6ns, GND = 0V)

PARAMETER	SYMBOL	TEST CONDITION	V _{EE} (V)	V _{CC} (V)	Ta = 25°C			Ta = -40~85°C		UNIT
					MIN.	TYP.	MAX.	MIN.	MAX.	
Phase difference between Input and Output	φ I/O	ALL TYPES	GND	2.0	—	25	60	—	75	ns
			GND	4.5	—	6	12	—	15	
			GND	6.0	—	5	10	—	13	
			-4.5	4.5	—	4	—	—	—	
Output Enable Time	t _{pZL} t _{pZH}	*1 4051	GND	2.0	—	64	225	—	280	
			GND	4.5	—	18	45	—	56	
			GND	6.0	—	15	38	—	48	
		*1 4052	GND	2.0	—	64	225	—	280	
			GND	4.5	—	18	45	—	56	
			GND	6.0	—	15	38	—	48	
		*1 4053	GND	2.0	—	50	225	—	280	
			GND	4.5	—	14	45	—	56	
			GND	6.0	—	12	38	—	48	
Output Disable Time	t _{pLZ} t _{pHZ}	*1 4051	GND	2.0	—	100	250	—	315	
			GND	4.5	—	33	50	—	63	
			GND	6.0	—	28	43	—	54	
		*1 4052	GND	2.0	—	100	250	—	315	
			GND	4.5	—	33	50	—	63	
			GND	6.0	—	28	43	—	54	
		*1 4053	GND	2.0	—	95	225	—	280	
			GND	4.5	—	30	45	—	56	
			GND	6.0	—	26	38	—	48	
Control Input Capacitance	C _{in}	ALL TYPES	—	—	—	5	10	—	10	
COMMON Terminal Capacitance	C _{IS}	4051	—	—	—	36	70	—	70	
		4052	-5.0	5.0	—	19	40	—	40	
		4053	—	—	—	11	20	—	20	
SWITCH Terminal Capacitance	C _{OS}	4051	—	—	—	7	15	—	15	
		4052	-5.0	5.0	—	7	15	—	15	
		4053	—	—	—	7	15	—	15	
Feedthrough Capacitance	C _{IOS}	4051	—	—	—	0.95	2	—	2	
		4052	-5.0	5.0	—	0.85	2	—	2	
		4053	—	—	—	0.75	2	—	2	
Power Dissipation Capacitance	C _{PD}	*2 4051	—	—	—	70	—	—	—	
		*2 4052	GND	5.0	—	71	—	—	—	
		*2 4053	—	—	—	67	—	—	—	

* 1: R_L = 1kΩ

* 2: C_{PD} is defined as the value of the internal equivalent capacitance of IC which is calculated from the operating current consumption without load.

Average operating current can be obtained by the equation :

$$I_{CC}(\text{opr}) = C_{PD} \cdot V_{CC} \cdot f_{IN} + I_{CC}$$

ANALOG SWITCH CHARACTERISTICS (GND = 0V, Ta = 25°C)

PARAMETER	SYMBOL	TEST CONDITION	V _{EE} (V)		TYP.	UNIT	
			V _{CC} (V)				
Sine Wave Distortion (T . H . D)		R _L = 10kΩ C _L = 50pF f _{IN} = 1kHz V _{IN} = 4.0V _{p-p} V _{IN} = 8.0V _{p-p} V _{IN} = 11.0V _{p-p}	-2.25 -4.5 -6.0	2.25 4.5 6.0	0.025 0.020 0.018	%	
Frequency Response (Switch ON)	f _{MAX}	Adjust f _{IN} Voltage to obtain 0dBm at V _{OS} Increase f _{IN} Frequency until dB Meter reads -3dB R _L = 50Ω, C _L = 10pF f _{IN} = 1MHz, Sine Wave	*1 ALL	-2.25	2.25	120	MHz
			*2 4051 4052 4053			45 70 95	
			*1 ALL	-4.5	4.5	190	
			*2 4051 4052 4053			70 110 150	
			*1 ALL	-6.0	6.0	200	
			*2 4051 4052 4053			85 140 190	
Feed through Attenuation (Switch OFF)		V _{in} is centered at (V _{CC} - V _{EE}) / 2 Adjust input for 0dBm R _L = 600Ω, C _L = 50pF f _{IN} = 1MHz, Sine Wave	-2.25 -4.5 -6.0	2.25 4.5 6.0	-50 -50 -50	dB	
Crosstalk (Control Input to Signal Output)		R _L = 600Ω, C _L = 50pF f _{IN} = 1MHz, Square Wave (t _r = t _f = 6ns)	-2.25 -4.5 -6.0	2.25 4.5 6.0	60 140 200	mV	
Crosstalk (Between any switches)		Adjust V _{IN} to obtain 0dBm at Input R _L = 600Ω, C _L = 50pF f _{IN} = 1MHz, Sine Wave	-2.25 -4.5 -6.0	2.25 4.5 6.0	-50 -50 -50	dB	

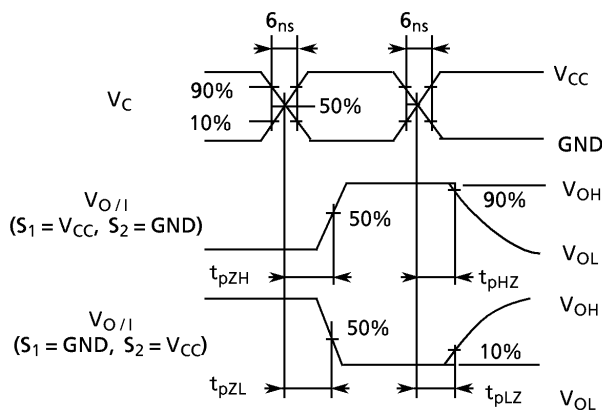
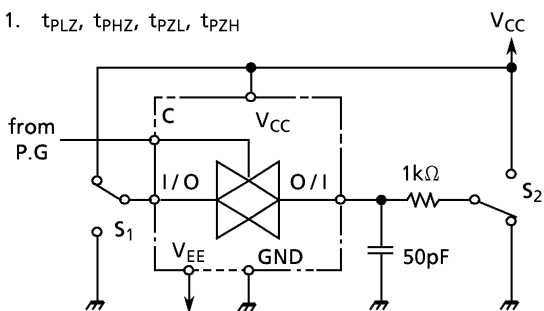
* 1 : Input COMMON Terminal, and measured at SWITCH Terminal.

* 2 : Input SWITCH Terminal, and measured at COMMON Terminal.

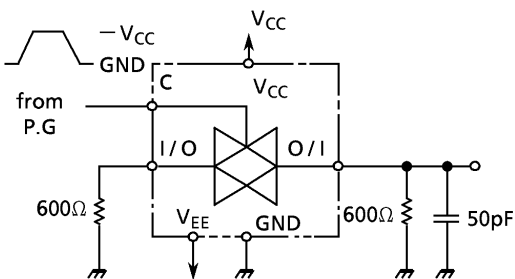
NOTE : These characteristics are determined by design of devices.

SWITCHING CHARACTERISTICS TEST CIRCUITS

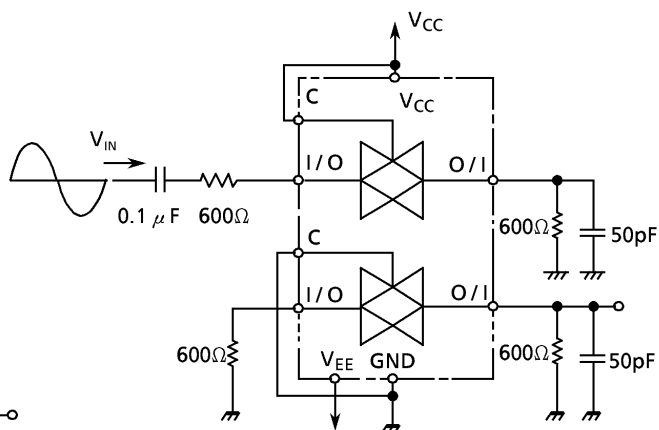
1. t_{pLZ} , t_{pHZ} , t_{pZL} , t_{pZH}



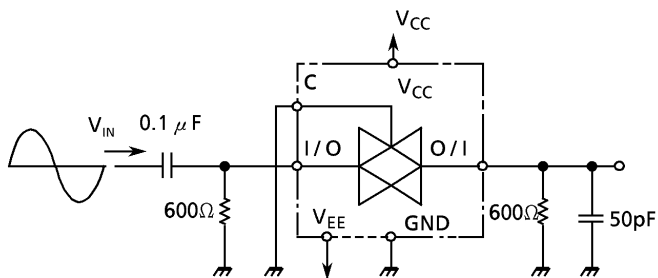
2. CROSS TALK (CONTROL INPUT - SWITCH OUTPUT)
 $f_{in} = 1\text{MHz}$ duty = 50% $t_r = t_f = 6\text{ns}$



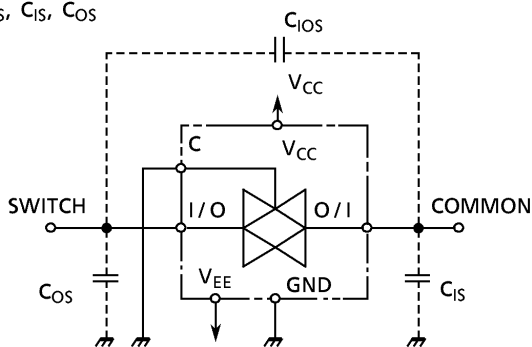
5. CROSS TALK (BETWEEN ANY TWO SWITCHES)



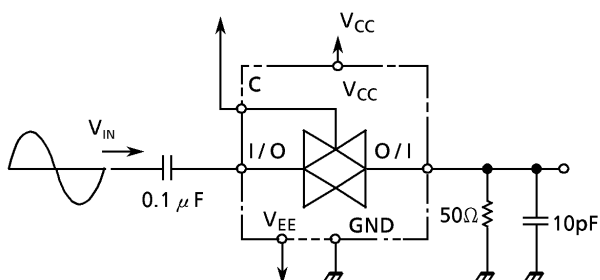
3. FEEDTHROUGH ATTENUATION



4. C_{iOs} , C_{iS} , C_{oS}

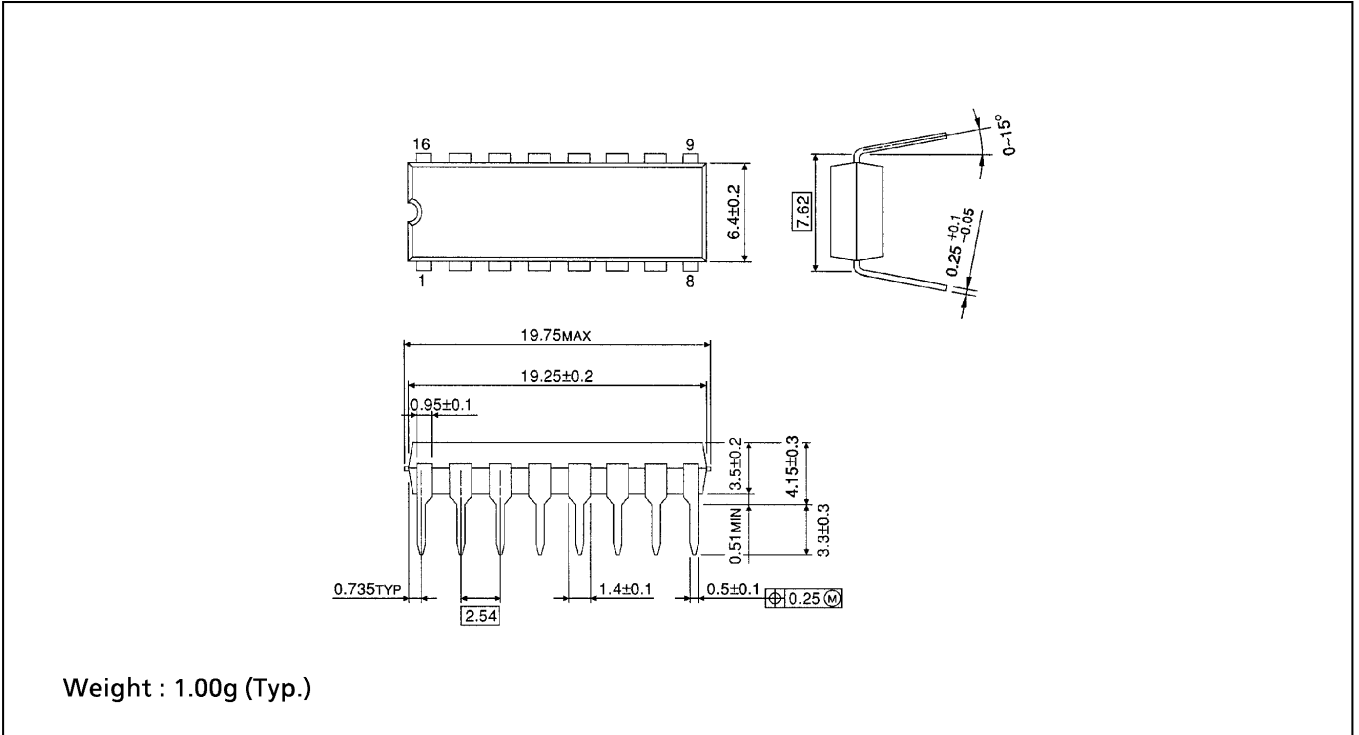


6. FREQUENCY RESPONSE (SWITCH ON)



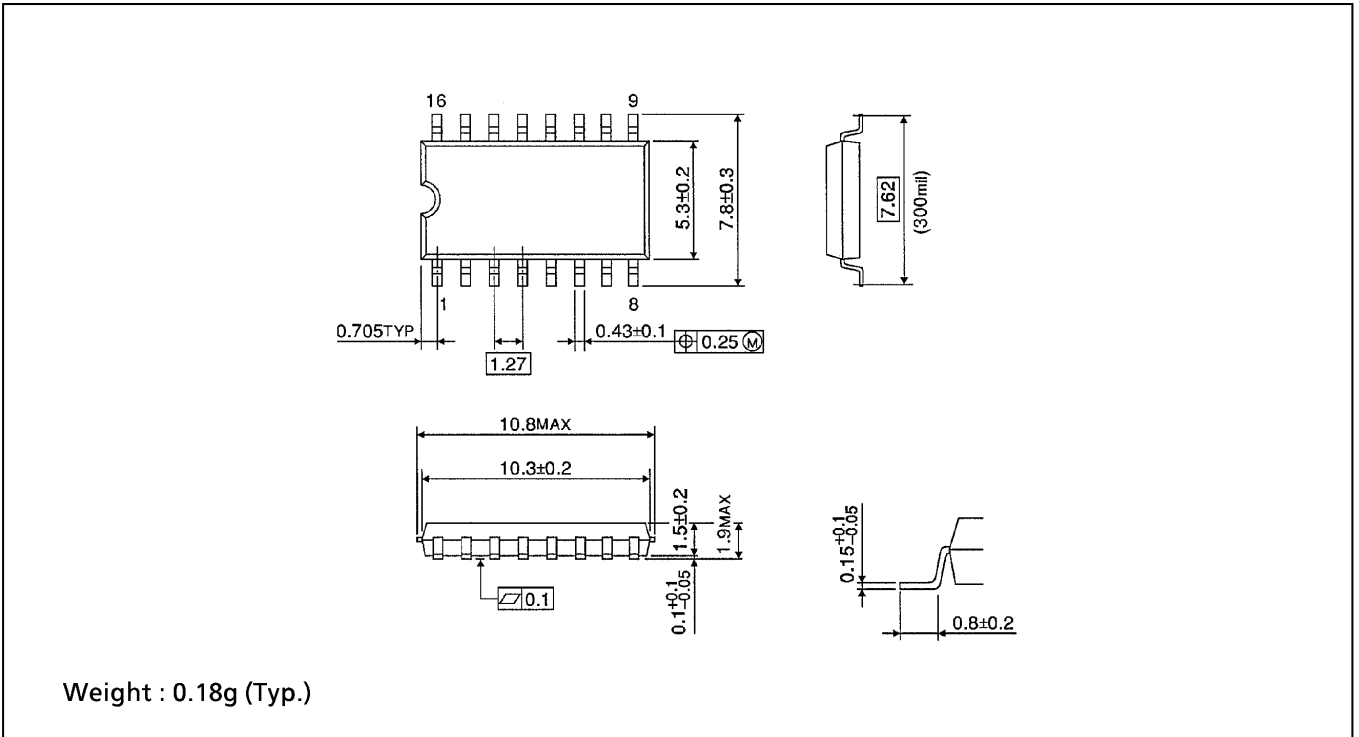
DIP 16PIN OUTLINE DRAWING (DIP16-P-300-2.54A)

Unit in mm



SOP 16PIN (200mil BODY) OUTLINE DRAWING (SOP16-P-300-1.27)

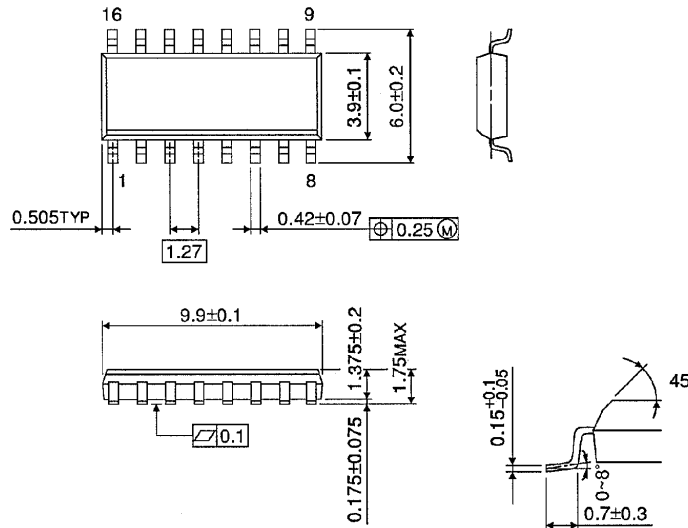
Unit in mm



SOP 16PIN (150mil BODY) OUTLINE DRAWING (SOL16-P-150 -1.27)

Unit in mm

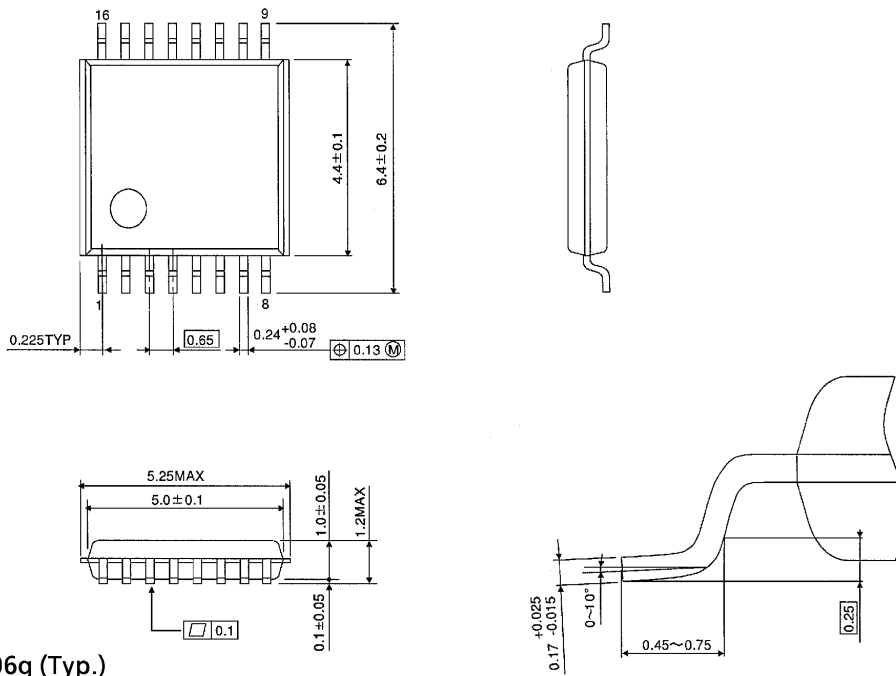
(Note) This package is not available in Japan.



Weight : 0.13g (Typ.)

TSSOP 16PIN OUTLINE DRAWING (TSSOP16-P-0044-0.65)

Unit in mm



Weight : 0.06g (Typ.)