

THCT4502B DYNAMIC RAM CONTROLLER

description

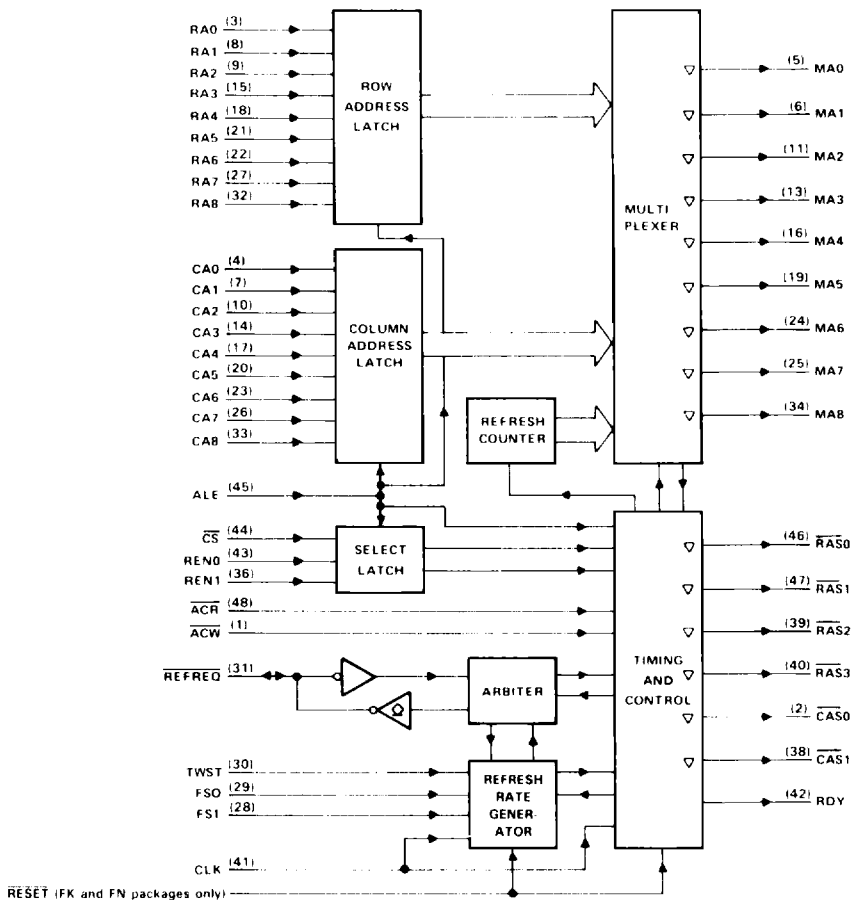
The THCT4502B is a monolithic DRAM system controller providing address multiplexing, timing, control and refresh/access arbitration functions to simplify the interface of dynamic RAMs to microprocessor systems.

The controller contains an 18-bit multiplexer that generates the address lines for the memory device from the 18 system address bits and provides the strobe signals required by the memory to decode the address. A 9-bit refresh counter generates up to 512 row addresses required to refresh.

for complete data sheet

The complete version of this data sheet and application information can be found in the *Cache Memory Management Data Book*, Literature #SCAD002. To obtain a copy of this data book, contact your local TI sales representative or call the TI Customer Response Center at 1 800-223 3200.

functional block diagram†



†Pin numbers shown are for JD and N packages.



POST OFFICE BOX 855303 • DALLAS, TEXAS 75285