

**DESCRIPTION/APPLICATION**

Fine Pitch D-Sub Connectors are designed for reliable interfaces in modern, high-density applications. Conforms with SCSI 2/3 internal cabling specification. The low-profile design can be utilized in the most dense applications.

**DESIGN ADVANTAGES**

- High strength beryllium copper contact material with 30 μ" gold over 50 μ" nickel plating provides long-term reliability.
- Unique coined IDC slot concentrates the insulation displacement capability allowing trouble free termination of all insulation types - including teflon and TPE.
- Available metal shell for reliable EMI/RFI shielding.
- Available with optional bulkhead mounting ears.
- Industry standard fine pitch interface compatible with RS-232-E, SCSI-2, SCSI-3, HIPPI, IPI-2.
- Low profile design maximizes available cabinet space.
- UL listed, CSA certified.

# D-SUBMINIATURE



**D-SUB INDEX**

Fine Pitch D-Sub metal receptacle.....	62
Fine Pitch D-Sub metal plug .....	64
Fine Pitch D-Sub plastic plug.....	65
Fine Pitch D-Sub plastic plug without mounting ears .....	66
Fine Pitch D-Sub metal plug without mounting ears .....	67
Plastic shell D-Sub 9-37 pos. pins .....	68
Plastic shell D-Sub 9-37 pos. sockets .....	69
Metal shell D-Sub 9-37 pos. sockets .....	70
Metal shell D-Sub 9-37 pos. pins.....	71
D-Sub Female with Metal Shell .....	72
D-Sub Male with Metal Shell .....	73
Plastic Shell "D" Connector, 50 Positions, Pins .....	74
Plastic Shell "D" Connector, 50 Positions, Sockets.....	75
Metal Shell "D" Connector, 50 Positions, Pins.....	76
Metal Shell "D" Connector, 50 Positions, Sockets.....	77
Backshell kit - Fine Pitch D-Sub .....	78
Backshell kit - Fine Pitch D-Sub .....	79
Backshell kit - D-Sub, metal shell 9-37 pos. ....	80
Backshell kit - D-Sub, metal shell 50 pos. ....	81
Backshell kit - D-Sub, mtl. shell 9-50 pos., round-flat. ....	82
Hardware .....	83
Backshell kit - D-Sub, plastic shell 9-50 pos. ....	85



**FINE PITCH IDC  
METAL SHELL  
"D" RECEPTACLE**  
.050" x .100" CENTERS



**PHYSICAL PROPERTIES**

INSULATION MATERIAL: Glass reinforced thermoplastic rated UL 94V-0  
COLOR: Black  
CONTACTS: Beryllium copper, 30 microinches gold over nickel plating in the mating area, tin/lead plating in the termination area

**ELECTRICAL PROPERTIES**

CURRENT RATING: 1 Amp  
INSULATION RESISTANCE: >1000 Megohms  
DIELECTRIC STRENGTH: > 1000 VAC at sea level

**ENVIRONMENTAL PROPERTIES**

TEMPERATURE RATING: -55°C TO 125°C

**APPLICATION TOOLING**

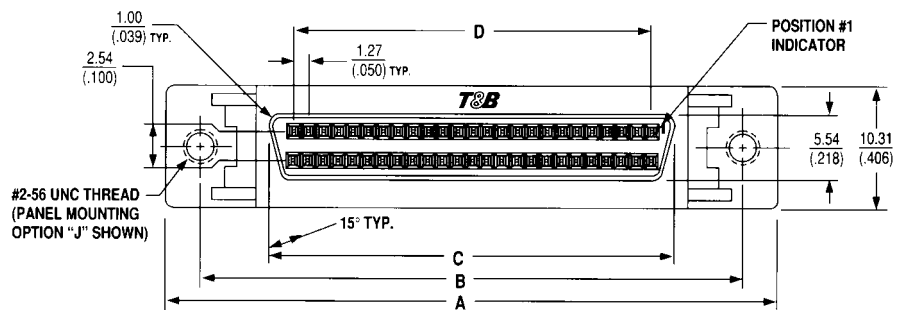
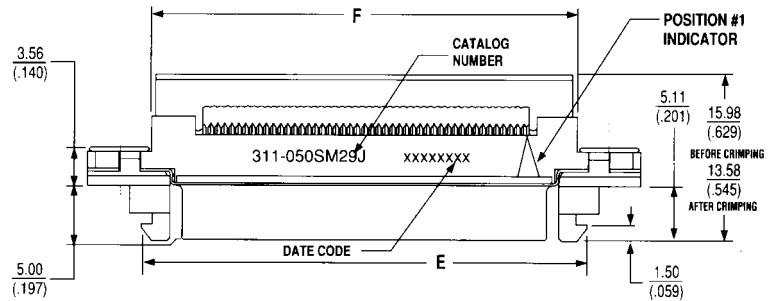
HAND TOOL DIE: 779-3112179  
BENCH PRESS PLATEN: 779-3113179

**MOUNTING HARDWARE**

FEMALE JACKSOCKET: 8700040001  
(for mounting style "C")

**CABLE**

See pages 97-104



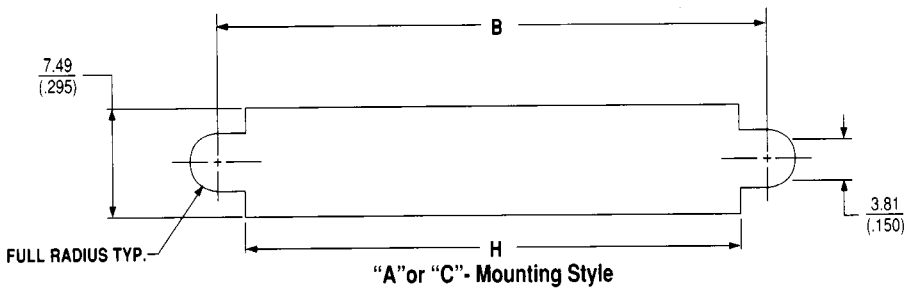
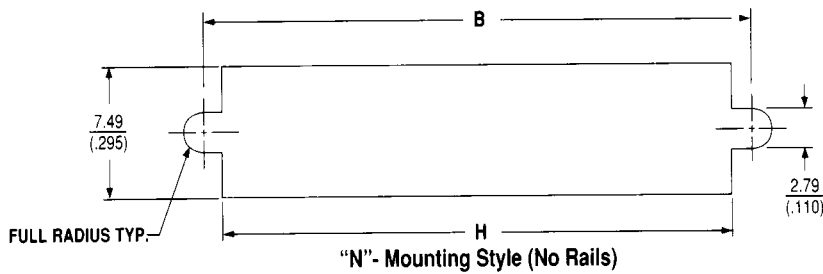
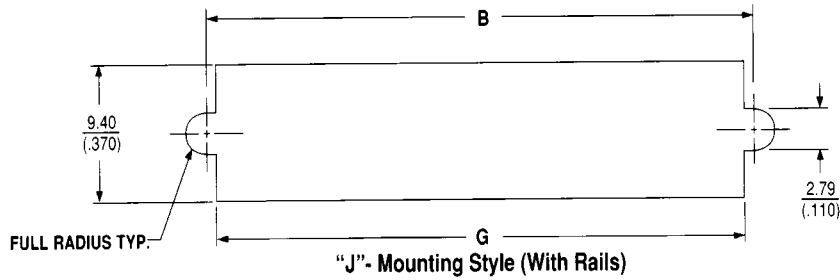
**Ordering Information**

NUMBER OF CONTACTS	BULKHEAD MOUNTING STYLE	CATALOG NUMBER	DIMENSIONS								
			A	B	C	D	E	F	G	H	
26	4-40 Flush Threads	311-026SM29C									
	2-56 Cable Latch w/ Rails	311-026SM29J	<u>37.21</u> (1.465)	<u>31.24</u> (1.230)	<u>19.46</u> (.766)	<u>15.24</u> (.600)	<u>27.05</u> (1.065)	<u>25.25</u> (.994)	<u>29.80</u> (1.175)	<u>37.56</u> (1.085)	
	2-56 Cable Latch w/o Rails	311-026SM29N									
40	4-40 Flush Threads	311-040SM29C									
	2-56 Cable Latch w/ Rails	311-040SM29J	<u>46.10</u> (1.815)	<u>40.13</u> (1.580)	<u>28.35</u> (1.116)	<u>24.13</u> (.950)	<u>35.94</u> (1.415)	<u>34.14</u> (1.344)	<u>38.73</u> (1.525)	<u>36.45</u> (1.435)	
	2-56 Cable Latch w/o Rails	311-040SM29N									
50	4-40 Flush Threads	311-050SM29C									
	2-56 Cable Latch w/ Rails	311-050SM29J	<u>52.45</u> (2.065)	<u>46.48</u> (1.830)	<u>34.70</u> (1.366)	<u>30.48</u> (1.200)	<u>42.29</u> (1.665)	<u>40.49</u> (1.594)	<u>45.10</u> (1.775)	<u>42.80</u> (1.685)	
	2-56 Cable Latch w/o Rails	311-050SM29N									
68	4-40 Flush Threads	311-068SM29C									
	2-56 Cable Latch w/ Rails	311-068SM29J	<u>63.88</u> (2.515)	<u>57.91</u> (2.280)	<u>46.13</u> (1.816)	<u>41.91</u> (1.650)	<u>53.72</u> (2.115)	<u>51.92</u> (2.044)	<u>56.50</u> (2.225)	<u>54.23</u> (2.135)	
	2-56 Cable Latch w/o Rails	311-068SM29N									
80	4-40 Flush Threads	311-080SM29C									
	2-56 Cable Latch w/ Rails	311-080SM29J	<u>71.50</u> (2.815)	<u>65.53</u> (2.580)	<u>53.75</u> (2.116)	<u>49.53</u> (1.950)	<u>61.34</u> (2.415)	<u>59.54</u> (2.344)	<u>64.13</u> (2.525)	<u>61.85</u> (2.435)	
	2-56 Cable Latch w/o Rails	311-080SM29N									
100	4-40 Flush Threads	311-100SM29C									
	2-56 Cable Latch w/ Rails	311-100SM29J	<u>84.20</u> (3.315)	<u>78.23</u> (3.080)	<u>66.45</u> (2.616)	<u>62.23</u> (2.450)	<u>74.04</u> (2.915)	<u>72.24</u> (2.844)	<u>76.83</u> (3.025)	<u>74.55</u> (2.935)	
	2-56 Cable Latch w/o Rails	311-100SM29N									

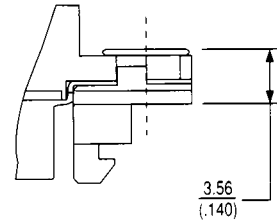
**FINE PITCH IDC  
METAL SHELL  
"D" RECEPTACLE**

**.050" x .100" CENTERS**

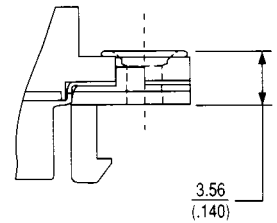
**RECOMMENDED PANEL CUT-OUTS**



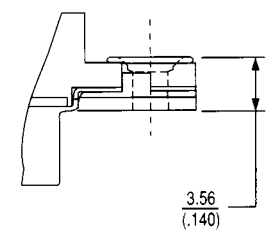
**Latch Block (With Rails)  
Panel Mounting  
Option "J" - (#2-56 Thread)**



**Latch Block (No Rails)  
Panel Mounting  
Option "N" - (#2-56 Thread)**



**Flush Panel Mounting  
Option "C" - (Threaded)**



NUMBER OF CONTACTS	DIMENSIONS		
	B	G	H
26	31.24 (1.230)	29.80 (1.175)	27.56 (1.082)
40	40.13 (1.580)	38.73 (1.525)	36.45 (1.435)
50	46.48 (1.830)	45.10 (1.775)	42.80 (1.685)
68	57.91 (2.280)	56.50 (2.225)	54.23 (2.135)
80	65.53 (2.580)	64.13 (2.525)	61.85 (2.435)
100	78.23 (3.080)	76.83 (3.025)	74.55 (2.935)

## IDC METAL SHELL "D" PLUG

.050" x .100" CENTERS



LR49571 E60980

### PHYSICAL PROPERTIES

INSULATION MATERIAL: Glass reinforced thermoplastic rated UL 94V-0

COLOR: Black

CONTACTS: Beryllium copper, 30 microinches gold over nickel plating in the mating area, tin/lead plating in the termination area.

METAL SHELL: Tin plated steel

### ELECTRICAL PROPERTIES

CURRENT RATING: 1 Amp

INSULATION RESISTANCE: >1000 Megohms

DIELECTRIC STRENGTH: >1000 VAC (Sea Level)

### ENVIRONMENTAL PROPERTIES

TEMPERATURE RATING: -55 C to 125 C

### APPLICATION TOOLING

HAND TOOL PLATEN: 779-3112168A

BENCH PRESS PLATEN: 779-3113168A

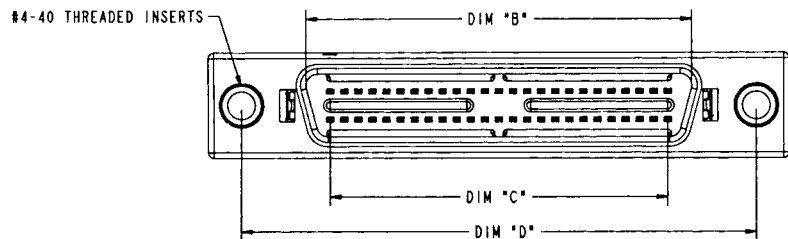
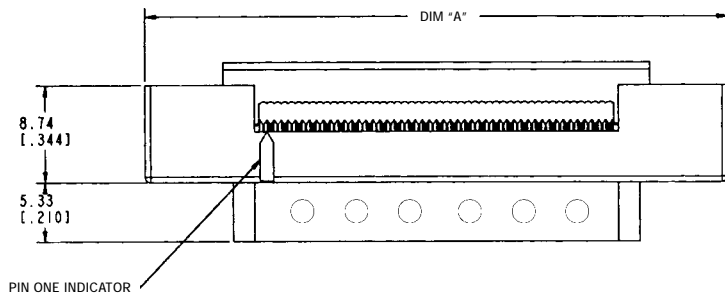
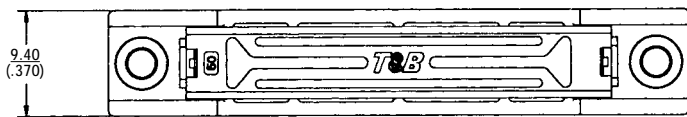
### CABLE

See pages 97-104

### MOUNTING HARDWARE

**Jacksocket Kit**  
Catalog Number: 8700040001  
(for mounting style "C")

Kit includes:  
— 2 Jacksockets (shown above)  
— 2 Split Lockwashers



FOR ALL OTHER DIMENSIONS  
SEE OPTION 1 (SHEET 1)

### Ordering Information

PART NUMBER	NUMBER OF CONTACTS	A	B	C	D
311-026PM29C	26	37.21 (1.465)	19.61 (0.772)	15.24 (0.600)	31.24 (1.230)
311-040PM29C	40	46.10 (1.815)	28.50 (1.122)	24.13 (0.950)	40.13 (1.580)
311-050PM29C	50	52.45 (2.065)	34.85 (1.372)	30.48 (1.200)	46.48 (1.830)
311-068PM29C	68	63.88 (2.515)	46.28 (1.822)	41.91 (1.650)	57.91 (2.280)
311-080PM29C	80	71.50 (2.815)	53.90 (2.122)	49.53 (1.950)	65.53 (2.580)
311-100PM29C	100	84.20 (3.315)	66.60 (2.622)	62.23 (2.450)	78.23 (3.080)

## IDC MALE ALL PLASTIC "D" PLUG

.050" x .100" CENTERS



### PHYSICAL PROPERTIES

INSULATION MATERIAL: Glass reinforced thermoplastic rated UL 94V-0

COLOR: Black

CONTACTS: Beryllium copper, 30 microinches gold over nickel plating in the mating area, tin/lead plating in the termination area.

### ELECTRICAL PROPERTIES

CURRENT RATING: 1 Amp

INSULATION RESISTANCE: >1000 Megohms

DIELECTRIC STRENGTH: >1000 VAC (Sea Level)

### ENVIRONMENTAL PROPERTIES

TEMPERATURE RATING: -55 C to 125 C

### APPLICATION TOOLING

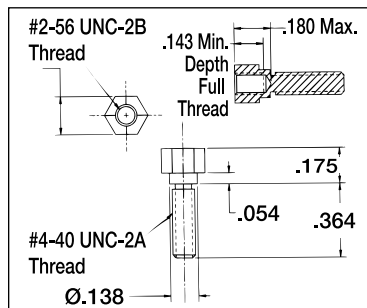
HAND TOOL PLATEN: 779-3112168A

BENCH PRESS PLATEN: 779-3113168A

### CABLE

See pages 97-104

### MOUNTING HARDWARE

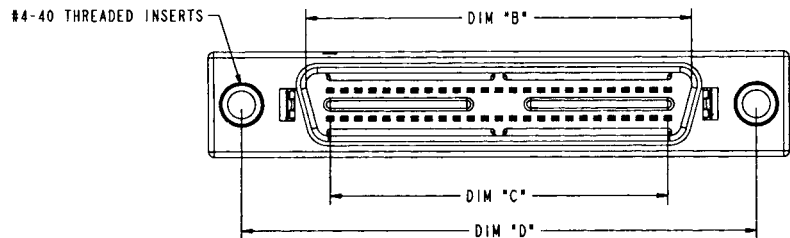
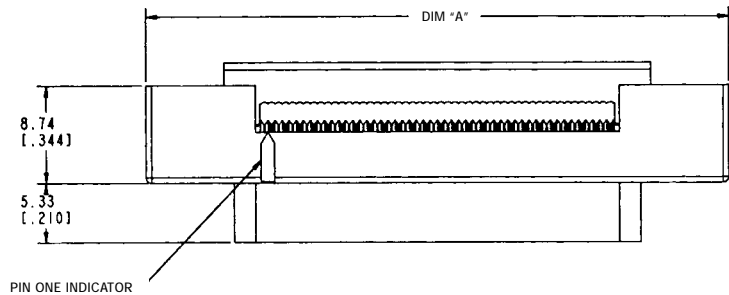
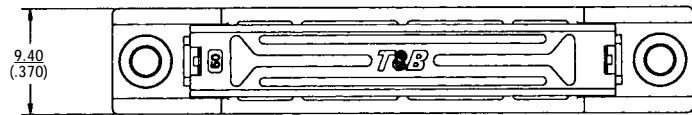


#### Jackscrew Kit

Catalog Number: 8700040001  
(for mounting style "C")

Kit includes:

- 2 Jackscrews (shown above)
- 2 Split Lockwashers



FOR ALL OTHER DIMENSIONS  
SEE OPTION 1 (SHEET 1)

### Ordering Information

PART NUMBER	NUMBER OF CONTACTS	A	B	C	D
311-026P29C	26	37.21 (1.465)	19.61 (0.772)	15.24 (0.600)	31.24 (1.230)
311-040P29C	40	46.10 (1.815)	28.50 (1.122)	24.13 (0.950)	40.13 (1.580)
311-050P29C	50	52.45 (2.065)	34.85 (1.372)	30.48 (1.200)	46.48 (1.830)
311-068P29C	68	63.88 (2.515)	46.28 (1.822)	41.91 (1.650)	57.91 (2.280)
311-080P29C	80	71.50 (2.815)	53.90 (2.122)	49.53 (1.950)	65.53 (2.580)
311-100P29C	100	84.20 (3.315)	66.60 (2.622)	62.23 (2.450)	78.23 (3.080)

**IDC ALL PLASTIC  
"D" PLUG  
NO MOUNTING EARS  
.050" x .100" CENTERS**



**PHYSICAL PROPERTIES**

INSULATION MATERIAL: Glass reinforced thermoplastic rated UL 94V-0

COLOR: Black

CONTACTS: Beryllium copper, 30 microinches gold over nickel plating in the mating area, tin/lead plating in the termination area.

**ELECTRICAL PROPERTIES**

CURRENT RATING: 1 Amp

INSULATION RESISTANCE: >1000 Megohms

DIELECTRIC STRENGTH: >1000 VAC (Sea Level)

**ENVIRONMENTAL PROPERTIES**

TEMPERATURE RATING: -55 C to 125 C

**APPLICATION TOOLING**

HAND TOOL PLATEN: 779-3112168A

BENCH PRESS PLATEN: 779-3113168A

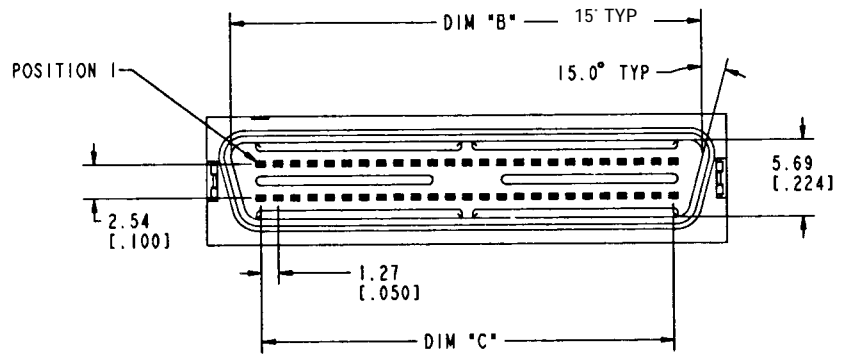
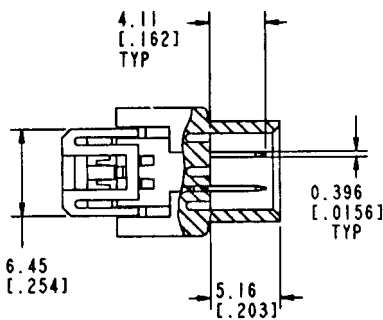
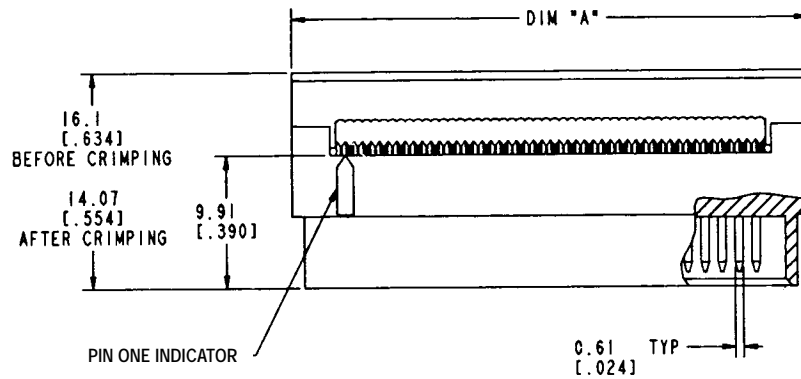
**CABLE**

See pages 97-104

**ACCESSORIES**

STANDARD STRAIN RELIEF: 311-068PSR (for 68 contact plug only)

NARROW STRAIN RELIEF: 311-068LSR



**Ordering Information**

PART NUMBER	NUMBER OF CONTACTS	A	B	C
311-026P29	26	23.16 (0.912)	19.61 (0.772)	15.24 (0.600)
311-040P29	40	32.05 (1.262)	28.50 (1.122)	24.13 (0.950)
311-050P29	50	38.40 (1.512)	34.85 (1.372)	30.48 (1.200)
311-068P29	68	49.83 (1.962)	46.28 (1.822)	41.91 (1.650)
311-080P29	80	57.45 (2.262)	53.90 (2.122)	49.53 (1.950)
311-100P29	100	70.15 (2.762)	66.60 (2.622)	62.23 (2.450)

**IDC METAL SHELL  
"D" PLUG  
NO MOUNTING EARS  
.050" x .100" CENTERS**



**PHYSICAL PROPERTIES**

INSULATION MATERIAL: Glass reinforced thermoplastic rated UL 94V-0  
 COLOR: Black  
 CONTACTS: Beryllium copper, 30 microinches gold over nickel plating in the mating area, tin/lead plating in the termination area.  
 METAL SHELL: Tin plated steel

**ELECTRICAL PROPERTIES**

CURRENT RATING: 1 Amp  
 INSULATION RESISTANCE: >1000 Megohms  
 DIELECTRIC STRENGTH: >1000 VAC (Sea Level)

**ENVIRONMENTAL PROPERTIES**

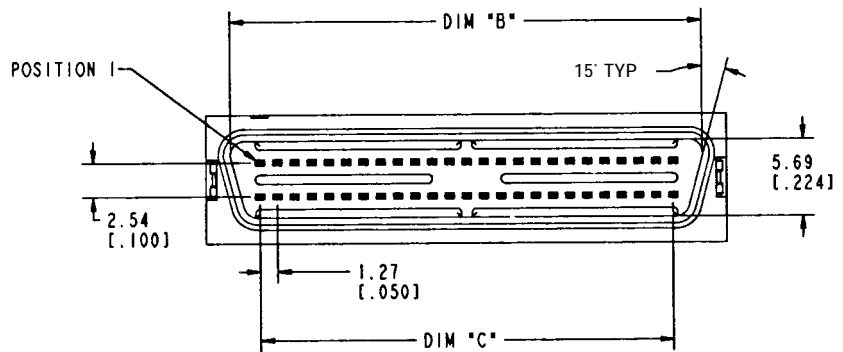
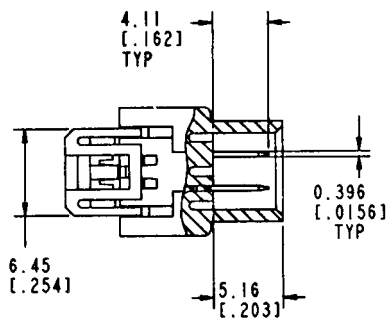
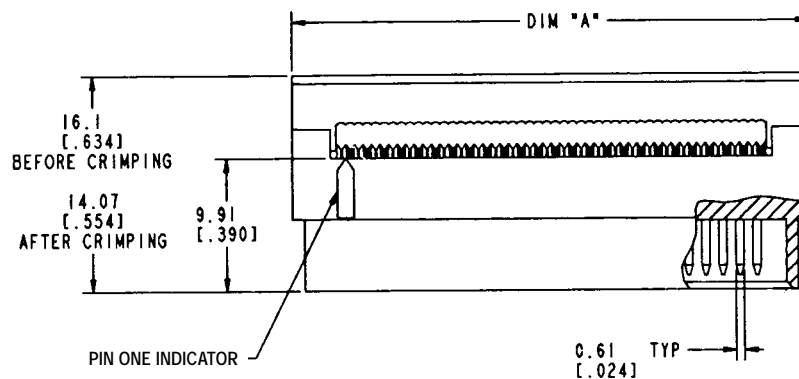
TEMPERATURE RATING: -55 C to 125 C

**APPLICATION TOOLING**

HAND TOOL PLATEN: 779-3112168A  
 BENCH PRESS PLATEN: 779-3113168A

**CABLE**

See pages 97-104



**Ordering Information**

PART NUMBER	NUMBER OF CONTACTS	A	B	C
311-026PM29	26	23.16 (0.912)	19.61 (0.772)	15.24 (0.600)
311-040PM29	40	32.05 (1.262)	28.50 (1.122)	24.13 (0.950)
311-050PM29	50	38.40 (1.512)	34.85 (1.372)	30.48 (1.200)
311-068PM29	68	49.83 (1.962)	46.28 (1.822)	41.91 (1.650)
311-080PM29	80	57.45 (2.262)	53.90 (2.122)	49.53 (1.950)
311-100PM29	100	70.15 (2.762)	66.60 (2.622)	62.23 (2.450)

## PLASTIC SHELL "D" CONNECTORS 9-37 POSITION PINS



### PHYSICAL PROPERTIES

INSULATION MATERIAL: Glass filled thermoplastic rated UL 94V-0  
 COLOR: Blue  
 CONTACT MATERIAL: Beryllium copper; 30µ inches min. gold over 50µ inches min. nickel in contact zone; tin/lead over nickel in termination area.

### ELECTRICAL PROPERTIES

CURRENT RATING: 1 Amp  
 INSULATION RESISTANCE: >1000 Megohms  
 DIELECTRIC STRENGTH: >1000 VRMS at sea level

### ENVIRONMENTAL PROPERTIES

TEMPERATURE RATING: -55°C TO 125°C

### APPLICATION TOOLING

**HAND TOOL**  
 use Die 779-2166(9-37)  
 779-2167(50)

**BENCH PRESS (MANUAL)**  
 use Platen 779-3200  
 use Base Plate 779-3139(9-37)  
 779-3130(50)

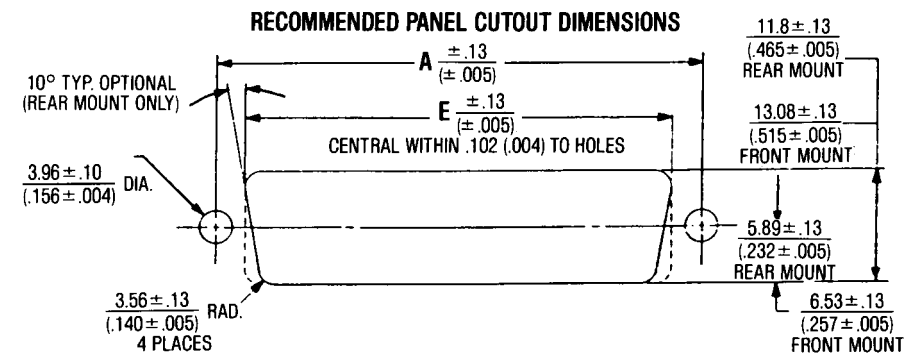
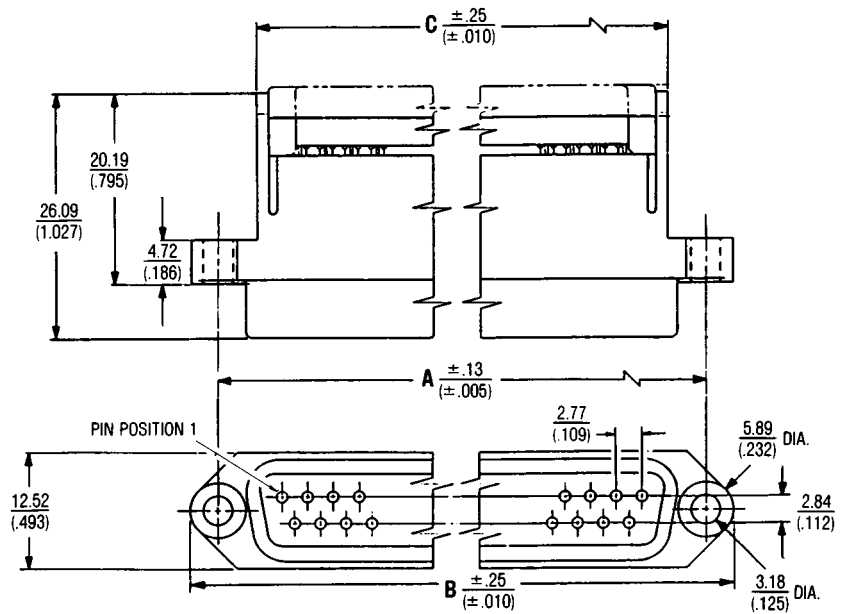
**BENCH PRESS (PNEUMATIC)**  
 use Platen 779-3500XT  
 use Base Plate 779-3166(9-37)  
 779-3160(50)

### ACCESSORIES

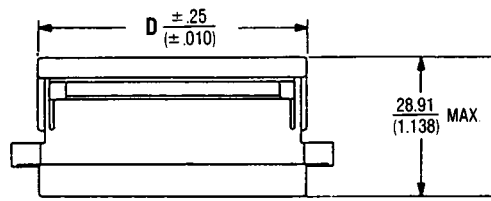
See page 80, 83-84

### CABLE

See pages 108-120



### CONNECTOR ASSEMBLY WITH STRAIN RELIEF



Ordering Information		DIMENSIONS IN MM (INCHES)				
CATALOG NUMBERS	NO. OF POS.	A	B	C	D	E
609-9P	9	24.99 (.984)	30.89 (1.216)	16.23 (.639)	18.95 (.746)	19.46 (.766)
609-15P	15	33.32 (1.312)	39.22 (1.544)	24.54 (.966)	27.25 (1.073)	27.76 (1.093)
609-25P	25	47.04 (1.852)	52.93 (2.084)	38.38 (1.511)	41.02 (1.615)	41.61 (1.638)
609-37P	37	63.50 (2.500)	69.39 (2.732)	54.99 (2.165)	57.61 (2.268)	58.09 (2.287)



## PLASTIC SHELL "D" CONNECTORS 9-37 POSITION SOCKETS



### PHYSICAL PROPERTIES

INSULATION MATERIAL: Glass filled thermoplastic rated UL 94V-0  
 COLOR: Blue  
 CONTACT MATERIAL: Beryllium copper; 30μ inches min. gold over 50μ inches min. nickel in contact zone; tin/lead over nickel in termination area.

### ELECTRICAL PROPERTIES

CURRENT RATING: 1 Amp  
 INSULATION RESISTANCE: >1000 Megohms  
 DIELECTRIC STRENGTH: >1000 VRMS at sea level

### ENVIRONMENTAL PROPERTIES

TEMPERATURE RATING: -55°C TO 125°C

### APPLICATION TOOLING

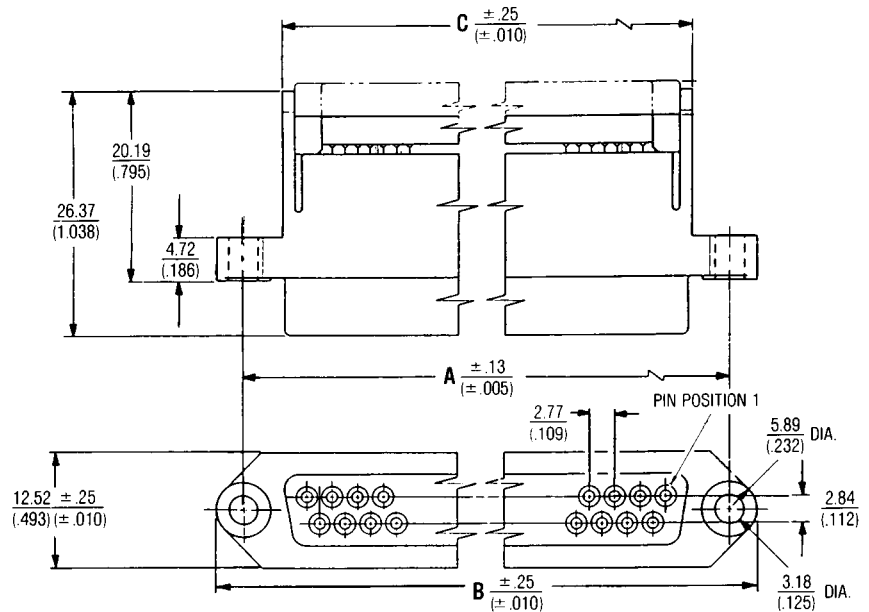
HAND TOOL 779-2166  
 BENCH PRESS (MANUAL) 779-3200  
     use Platen 779-3139  
 BENCH PRESS (PNEUMATIC) 779-3500XT  
     use Platen 779-3166

### ACCESSORIES

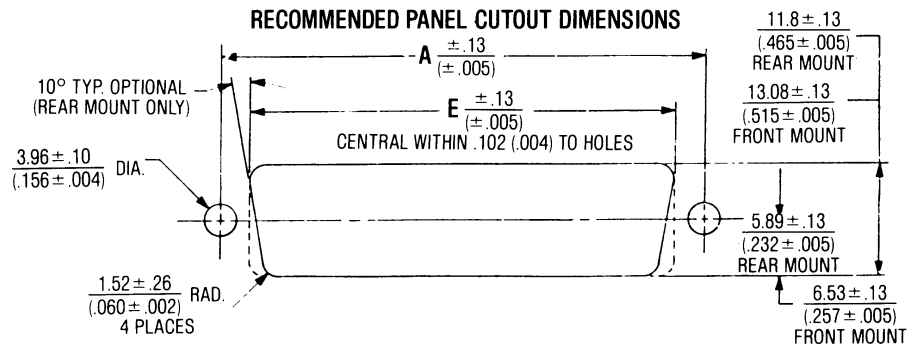
See pages 80, 83-84

### CABLE

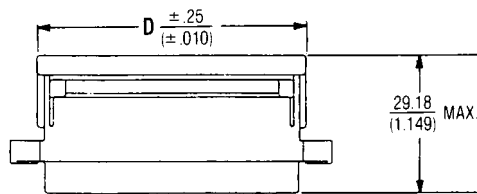
See pages 108-120



### RECOMMENDED PANEL CUTOUT DIMENSIONS



### CONNECTOR ASSEMBLY WITH STRAIN RELIEF



### Ordering Information

CATALOG NUMBERS	NO. OF POS.	DIMENSIONS IN MM (INCHES)				
		A	B	C	D	E
609-9S	9	24.99 (.984)	30.89 (1.216)	16.23 (.639)	18.95 (.746)	19.46 (.766)
609-15S	15	33.32 (1.312)	39.22 (1.544)	24.54 (.966)	27.25 (1.073)	27.76 (1.093)
609-25S	25	47.04 (1.852)	52.93 (2.084)	38.38 (1.511)	41.02 (1.615)	41.61 (1.638)
609-37S	37	63.50 (2.500)	69.39 (2.732)	54.99 (2.165)	57.61 (2.268)	58.09 (2.287)

## METAL SHELL "D" CONNECTOR LOW PROFILE 9-37 POSITION SOCKETS



### PHYSICAL PROPERTIES

**INSULATION MATERIAL:** Glass filled thermoplastic rated UL 94V-0  
**COLOR:** Blue  
**CONTACT MATERIAL:** Beryllium copper; 30μ inches min. gold over 50μ nickel in contact zone; nickel in contact zone; tin/lead over nickel in termination area.  
**METAL SHELL:** Steel with tin plating

### ELECTRICAL PROPERTIES

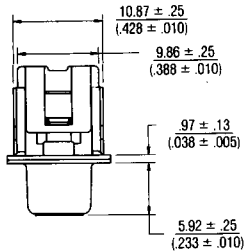
**CURRENT RATING:** 1 Amp  
**INSULATION RESISTANCE:** >1000 Megohms @ 500 VDC  
**DIELECTRIC STRENGTH:** >1000 VRMS at sea level

### ENVIRONMENTAL PROPERTIES

**TEMPERATURE RATING:** -55°C TO 125°C

### APPLICATION TOOLING

- HAND TOOL** 779-2100 use Die 779-2179
- BENCH PRESS (MANUAL)** 779-3200 use Platen 779-3130 use Base Plate 779-3179
- BENCH PRESS (PNEUMATIC)** 779-3500XT use Platen 779-3130 use Base Plate 779-3179

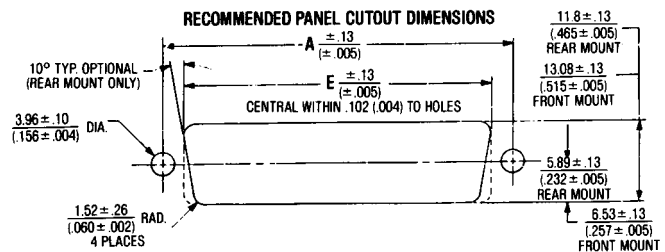
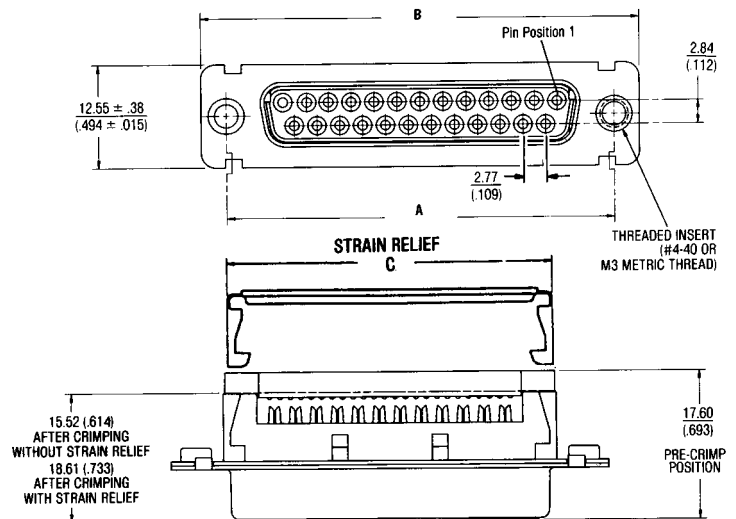


### ACCESSORIES

See page 80, 83-85

### CABLE

See pages 108-120



### Ordering Information

CATALOG NUMBERS	NO. OF POS.	A	B	STRAIN RELIEF CATALOG NO.	C	E
622-09SM (w/.125 Thru Hole)						
622-09SM1 (w/4-40 Flush Threaded Insert)	9	24.99 (.984)	30.81 (1.213)	622-09 SR	19.20 (.756)	19.46 (.766)
622-09SM2 (w/M3 Flush Threaded Insert)						
622-15SM (w/.125 Thru Hole)						
622-15SM1 (w/4-40 Flush Threaded Insert)	15	33.32 (1.312)	39.14 (1.541)	622-15 SR	27.51 (1.083)	27.76 (1.093)
622-15SM2 (w/M3 Flush Threaded Insert)						
622-25SM (w/.125 Thru Hole)						
622-25SM1 (w/4-40 Flush Threaded Insert)	25	47.04 (1.852)	53.04 (2.088)	622-25 SR	41.30 (1.626)	41.61 (1.638)
622-25SM2 (w/M3 Flush Threaded Insert)						
622-37SM (w/.125 Thru Hole)						
622-37SM1 (w/4-40 Flush Threaded Insert)	37	63.50 (2.500)	69.31 (2.729)	622-37 SR	57.96 (2.282)	58.09 (2.287)
622-37SM2 (w/M3 Flush Threaded Insert)						

## METAL SHELL "D" CONNECTOR LOW PROFILE 9-37 POSITION PINS



### PHYSICAL PROPERTIES

**INSULATION MATERIAL:** Glass filled thermoplastic rated UL 94V-0  
**COLOR:** Blue  
**CONTACT MATERIAL:** Beryllium copper; 30µ inches min. gold over 50µ nickel in contact zone; nickel in contact zone; tin/lead over nickel in termination area.  
**METAL SHELL:** Steel with tin plating

### ELECTRICAL PROPERTIES

**CURRENT RATING:** 1 Amp  
**INSULATION RESISTANCE:** >1000 Megohms  
**DIELECTRIC STRENGTH:** >1000 VRMS at sea level

### ENVIRONMENTAL PROPERTIES

**TEMPERATURE RATING:** -55°C TO 125°C

### APPLICATION TOOLING

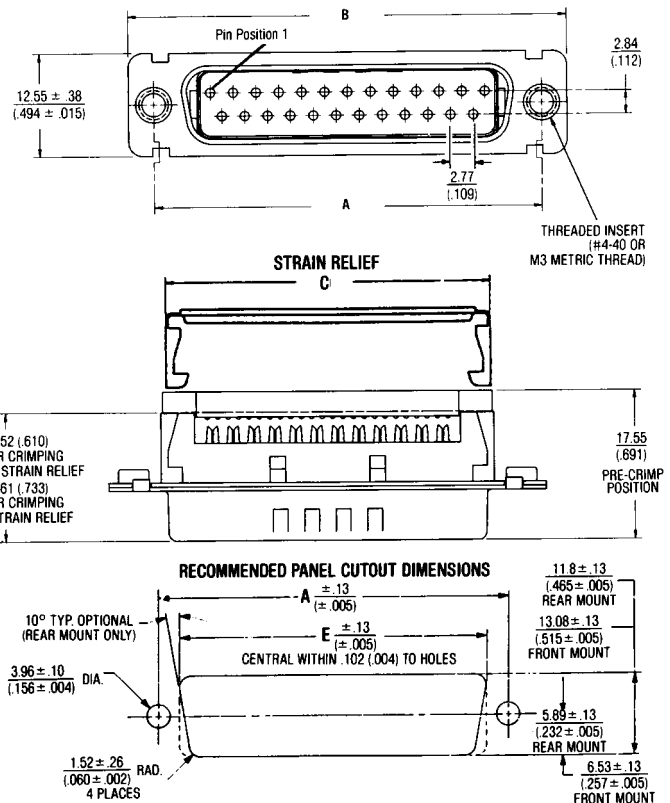
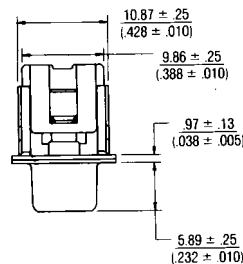
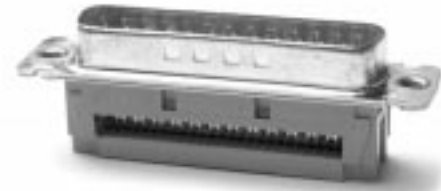
**HAND TOOL** 779-2100  
 use Die 779-2179  
**BENCH PRESS (MANUAL)** 779-3200  
 use Platen 779-3130  
 use Base Plate 779-3179  
**BENCH PRESS (PNEUMATIC)** 779-3500XT  
 use Platen 779-3130  
 use Base Plate 779-3179

### ACCESSORIES

See page 80, 83-85

### CABLE

See pages 108-120



### Ordering Information

CATALOG NUMBERS	NO. OF POS.	A	B	STRAIN RELIEF CATALOG NO.	C	E
622-09PM (w/.125 Thru Hole)						
622-09PM1 (w/4-40 Flush Threaded Insert)	9	24.99 (.984)	30.81 (1.213)	622-09 SR	19.20 (.756)	19.46 (.766)
622-09PM2 (w/M3 Flush Threaded Insert)						
622-15PM (w/.125 Thru Hole)						
622-15PM1 (w/4-40 Flush Threaded Insert)	15	33.32 (1.312)	39.14 (1.541)	622-15 SR	27.51 (1.083)	27.76 (1.093)
622-15PM2 (w/M3 Flush Threaded Insert)						
622-25PM (w/.125 Thru Hole)						
622-25PM1 (w/4-40 Flush Threaded Insert)	25	47.04 (1.852)	53.04 (2.088)	622-25 SR	41.30 (1.626)	41.61 (1.638)
622-25PM2 (w/M3 Flush Threaded Insert)						
622-37PM (w/.125 Thru Hole)						
622-37PM1 (w/4-40 Flush Threaded Insert)	37	63.50 (2.500)	69.31 (2.729)	622-37 SR	57.96 (2.282)	58.09 (2.287)
622-37PM2 (w/M3 Flush Threaded Insert)						

## D-SUB FEMALE CONNECTOR WITH METAL SHELL



### PHYSICAL PROPERTIES

INSULATION MATERIAL: Glass reinforced thermoplastic rated UL 94V-0

COLOR: Black

CONTACTS: Copper alloy, selective gold over 50 microinches min. nickel underplate overall

Shell: Tin plated steel

### ELECTRICAL PROPERTIES

CURRENT RATING: 1 Amp

INSULATION RESISTANCE: >1000 Megohms @ 500VDC

DWV: >500 VRMS at sea level

### ENVIRONMENTAL PROPERTIES

TEMPERATURE RATING: -55°C TO 125°C

### APPLICATION TOOLING

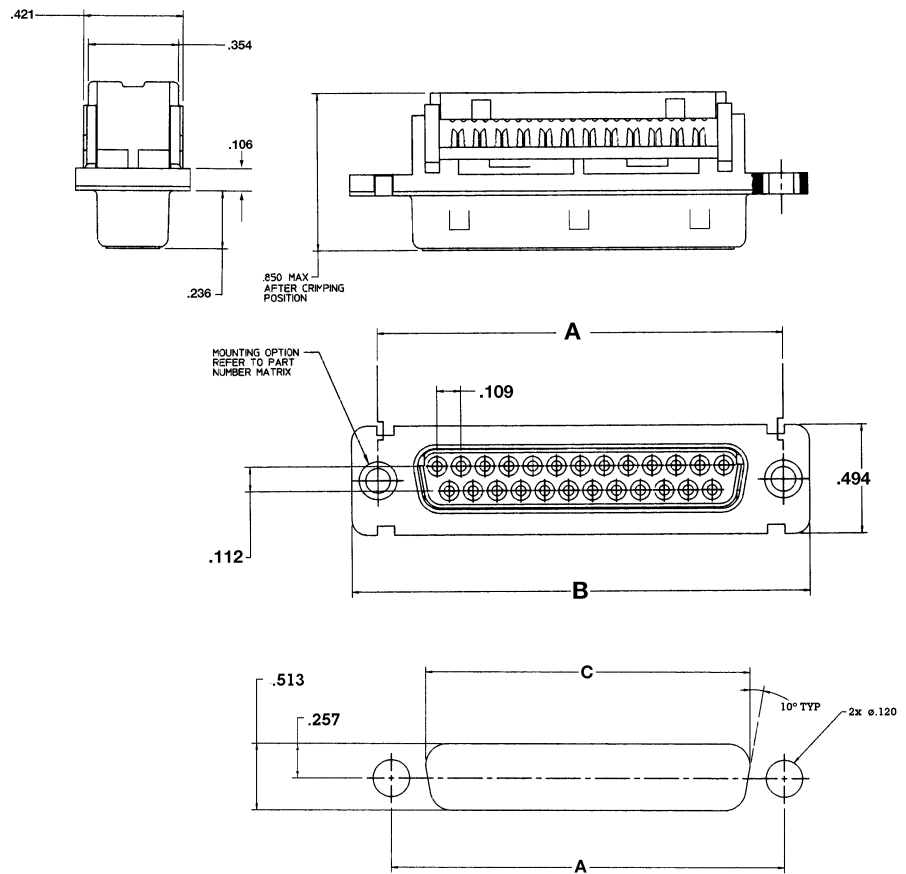
<b>HAND TOOL</b>	779-2100
use Die	779-2179636
<b>BENCH PRESS (MANUAL)</b>	779-3200
use Platen	779-3130
use Base Plate	779-3179636
<b>BENCH PRESS (PNEUMATIC)</b>	779-3500XT
use Platen	779-3130
use Base Plate	779-3179636

### CABLE

See pages 108-120

### ACCESSORIES

<b>STRAIN RELIEF:</b>	636-09SR
(not shown)	636-15SR
	636-25SR
	636-37SR



**RECOMMENDED PANEL CUTOUT DIMENSIONS**

### Ordering Information

NO. OF POS.	CATALOG NUMBER				A	B	C
	.120 MIN. THRU HOLE OF 15µ" GOLD ON CONTACT AREA	.120 MIN. THRU HOLE SELECTIVELY PLATED 30µ" GOLD ON CONTACT AREA OVER 50µ" MIN NICKEL UNDERPLATE	THREADED INSERT 4-40 UNC-2B THRU 15µ" GOLD ON CONTACT AREA	THREADED INSERT 4-40 UNC-2B THRU SELECTIVELY PLATED 30µ" GOLD ON CONTACT AREA OVER 50µ" MIN NICKEL UNDERPLATE			
9	636-09SM	636-09SMP001	636-09SM1	636-09SM1P001	24.99 (.984)	30.78 (1.212)	60.73 (2.391)
15	636-15SM	636-15SMP001	636-15SM1	636-15SM1P001	33.32 (1.312)	39.09 (1.539)	44.27 (1.743)
25	636-25SM	636-25SMP001	636-25SM1	636-25SM1P001	47.04 (1.852)	53.09 (2.090)	30.53 (1.202)
37	636-37SM	636-37SMP001	636-37SM1	636-37SM1P001	63.50 (2.500)	69.39 (2.732)	22.20 (.874)

## D-SUB MALE CONNECTOR WITH METAL SHELL



LR92984 E60980



### PHYSICAL PROPERTIES

INSULATION MATERIAL: Glass reinforced thermoplastic rated UL 94V-0

COLOR: Black

CONTACTS: Copper alloy, selective gold over 50

microinches min. nickel underplate overall

Shell: Tin plated steel

### ELECTRICAL PROPERTIES

CURRENT RATING: 1 Amp

INSULATION RESISTANCE: >1000 Megohms @ 500VDC

DWV: >500 VRMS at sea level

### ENVIRONMENTAL PROPERTIES

TEMPERATURE RATING: -55°C TO 125°C

### APPLICATION TOOLING

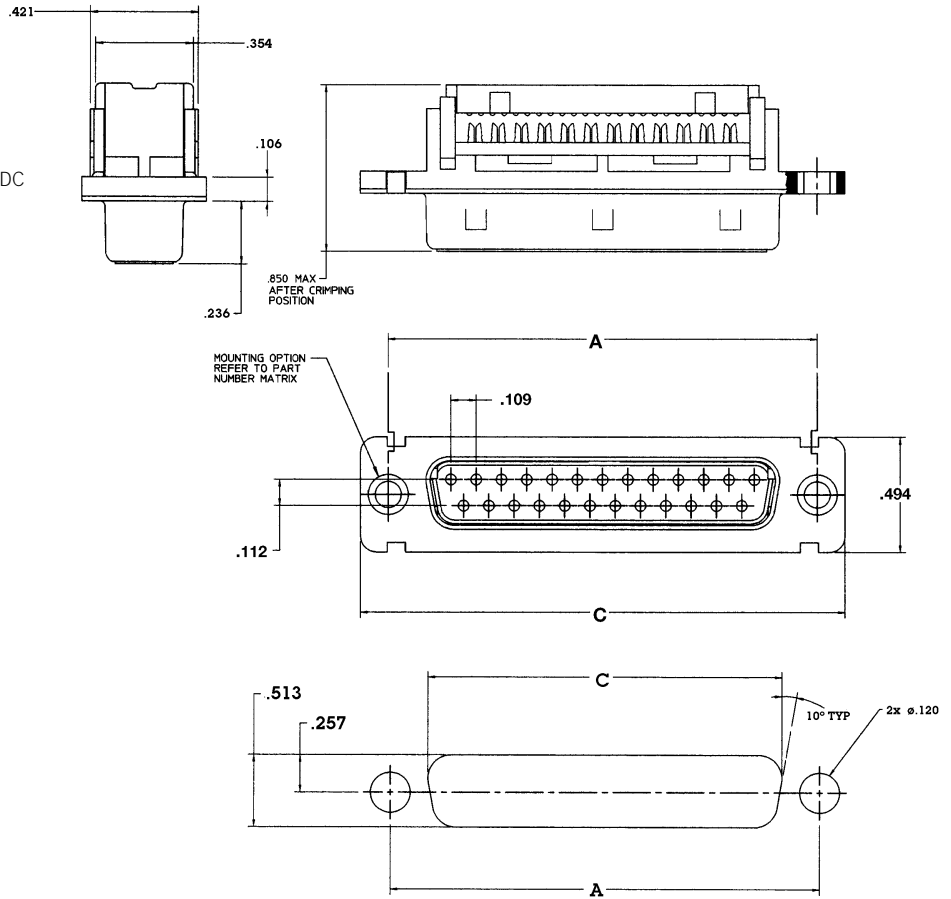
<b>HAND TOOL</b>	779-2100
use Die	779-2179636
<b>BENCH PRESS (MANUAL)</b>	779-3200
use Platen	779-3130
use Base Plate	779-3179636
<b>BENCH PRESS (PNEUMATIC)</b>	779-3500XT
use Platen	779-3130
use Base Plate	779-3179636

### CABLE

See pages 108-120

### ACCESSORIES

<b>STRAIN RELIEF:</b>	636-09SR
(not shown)	636-15SR
	636-25SR
	636-37SR

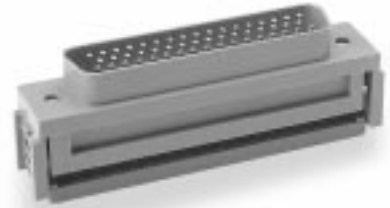


**RECOMMENDED PANEL CUTOUT DIMENSIONS**

### Ordering Information

NO. OF POS.	CATALOG NUMBER				A	B	C
	.120 MIN. THRU HOLE OF 15µ" GOLD ON CONTACT AREA	.120 MIN. THRU HOLE SELECTIVELY PLATED 30µ" GOLD ON CONTACT AREA OVER 50µ" MIN NICKEL UNDERPLATE	THREADED INSERT 4-40 UNC-2B THRU 15µ" GOLD ON CONTACT AREA	THREADED INSERT 4-40 UNC-2B THRU SELECTIVELY PLATED 30µ" GOLD ON CONTACT AREA OVER 50µ" MIN NICKEL UNDERPLATE			
9	636-09PM	636-09PMP001	636-09PM1	636-09PM1P001	24.99 (.984)	30.78 (1.212)	60.73 (2.391)
15	636-15PM	636-15PMP001	636-15PM1	636-15PM1P001	33.32 (1.312)	39.09 (1.539)	44.27 (1.743)
25	636-25PM	636-25PMP001	636-25PM1	636-25PM1P001	47.04 (1.852)	53.09 (2.090)	30.53 (1.202)
37	636-37PM	636-37PMP001	636-37PM1	636-37PM1P001	63.50 (2.500)	69.39 (2.732)	22.20 (.874)

## PLASTIC SHELL "D" CONNECTORS 50 POSITION PINS



### PHYSICAL PROPERTIES

INSULATION MATERIAL: Glass filled thermoplastic rated UL 94V-0

COLOR: Blue

CONTACT MATERIAL: Beryllium copper; 30μ inches min. gold over 50μ inches nickel in contact zone; tin/lead over nickel in termination area.

### ELECTRICAL PROPERTIES

CURRENT RATING: 1 Amp

INSULATION RESISTANCE: >1000 Megohms @ 500 VDC

DIELECTRIC STRENGTH: >1000 VRMS at sea level

### ENVIRONMENTAL PROPERTIES

TEMPERATURE RATING: -55°C TO 125°C

### APPLICATION TOOLING

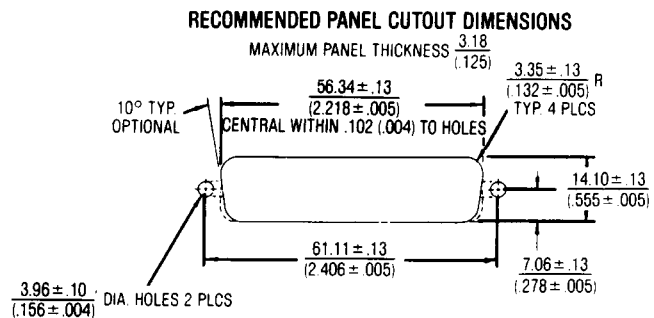
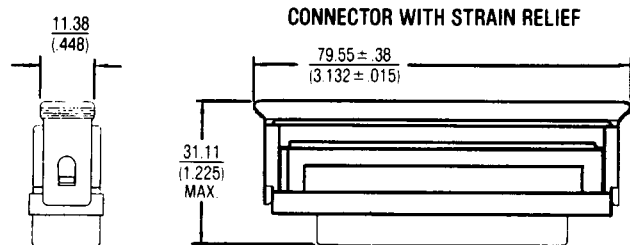
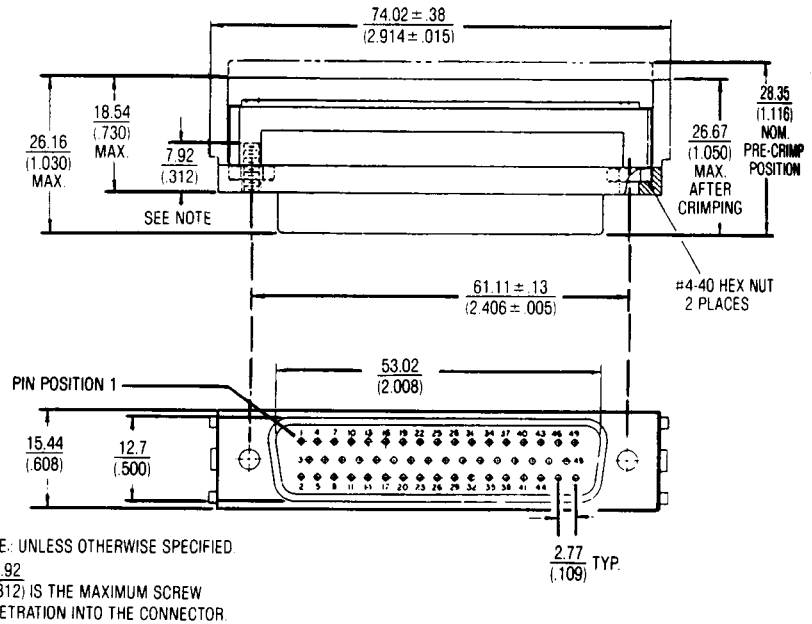
HAND TOOL	779-2100
use Die	779-2167
BENCH PRESS (MANUAL)	779-3200
use Platen	779-3130
use Base Plate	779-3167
BENCH PRESS (PNEUMATIC)	779-3500XT
use Platen	779-3130
use Base Plate	779-3167

### ACCESSORIES

See page 85

### CABLE

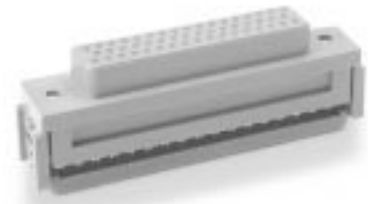
See pages 108-120



### Ordering Information

CATALOG NUMBER	NO. OF POS.
622-50P	50

## PLASTIC SHELL "D" CONNECTORS 50 POSITION SOCKETS



### PHYSICAL PROPERTIES

INSULATION MATERIAL: Glass filled thermoplastic rated UL 94V-0

COLOR: Blue

CONTACT MATERIAL: Beryllium copper; 30μ inches min. gold over 50μ inches nickel in contact zone; tin/lead over nickel in termination area.

### ELECTRICAL PROPERTIES

CURRENT RATING: 1 Amp

INSULATION RESISTANCE: >1000 Megohms @ 500 VDC

DIELECTRIC STRENGTH: >1000 VRMS at sea level

### ENVIRONMENTAL PROPERTIES

TEMPERATURE RATING: -55°C TO 125°C

### APPLICATION TOOLING

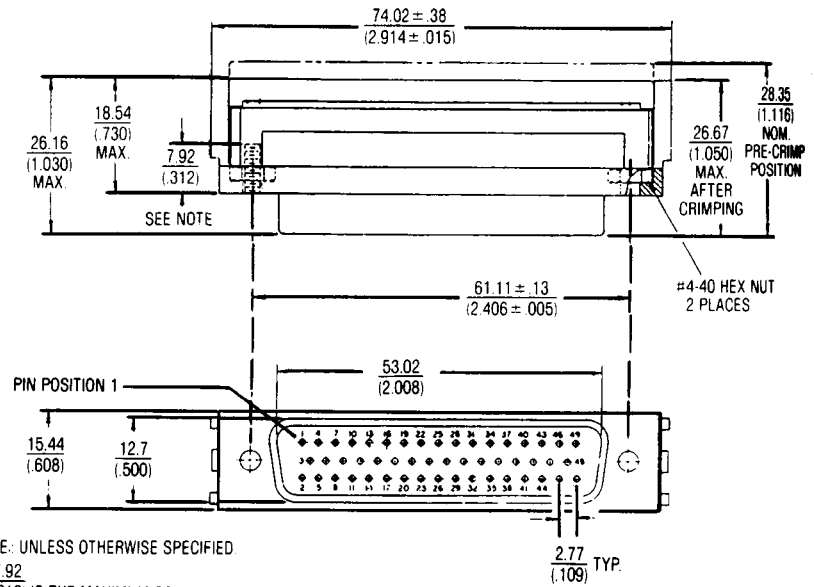
HAND TOOL	779-2100
use Die	779-2167
BENCH PRESS (MANUAL)	779-3200
use Platen	779-3130
use Base Plate	779-3167
BENCH PRESS (PNEUMATIC)	779-3500XT
use Platen	779-3130
use Base Plate	779-3167

### ACCESSORIES

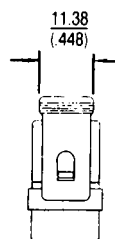
See page 85

### CABLE

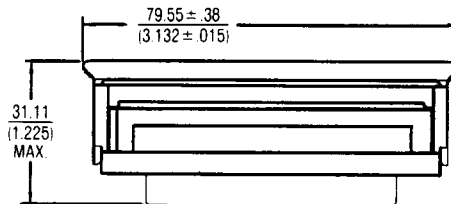
See pages 108-120



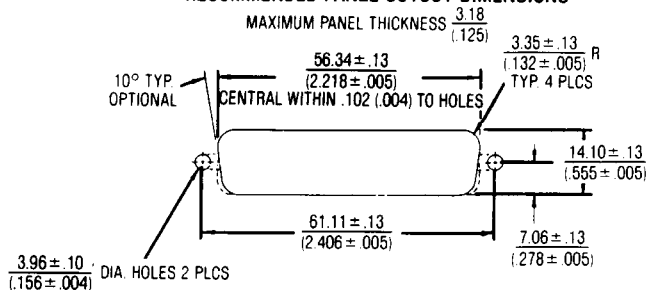
NOTE: UNLESS OTHERWISE SPECIFIED  
7.92 (.312) IS THE MAXIMUM SCREW PENETRATION INTO THE CONNECTOR.



### CONNECTOR WITH STRAIN RELIEF



### RECOMMENDED PANEL CUTOUT DIMENSIONS



### Ordering Information

CATALOG NUMBER	NO. OF POS.
622-50S	50

## METAL SHELL "D" CONNECTOR LOW PROFILE 50 POSITION PINS



### PHYSICAL PROPERTIES

INSULATION MATERIAL: Glass filled thermoplastic rated UL 94V-0  
 COLOR: Blue  
 CONTACT MATERIAL: Beryllium copper; 30μ inches min. gold over 50μ inches nickel in contact zone; tin/lead over nickel in termination area.  
 METAL SHELL: Steel with tin plating

### ELECTRICAL PROPERTIES

CURRENT RATING: 1 Amp  
 INSULATION RESISTANCE: >1000 Megohms @ 500 VDC  
 DIELECTRIC STRENGTH: >1000 VRMS at sea level

### ENVIRONMENTAL PROPERTIES

TEMPERATURE RATING: -55°C TO 125°C

### APPLICATION TOOLING

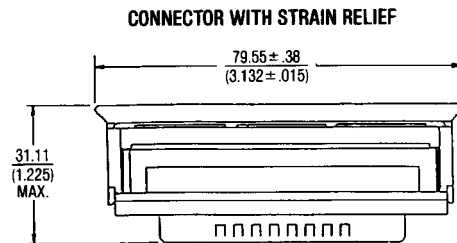
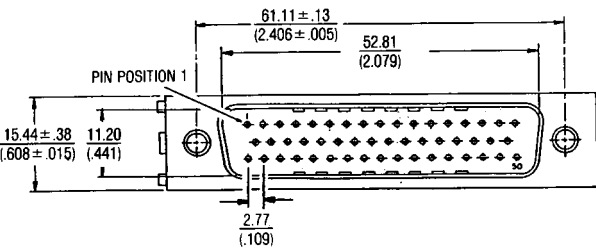
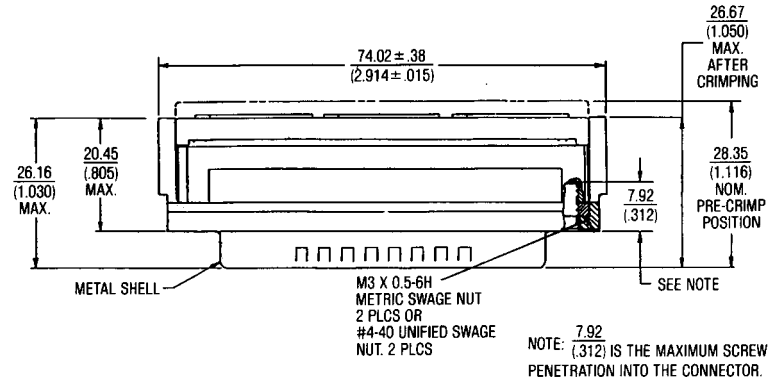
- HAND TOOL 779-2100
- use Die 779-2167
- BENCH PRESS (MANUAL) 779-3200
- use Platen 779-3130
- use Base Plate 779-3167
- BENCH PRESS (PNEUMATIC) 779-3500XT
- use Platen 779-3130
- use Base Plate 779-3167

### ACCESSORIES

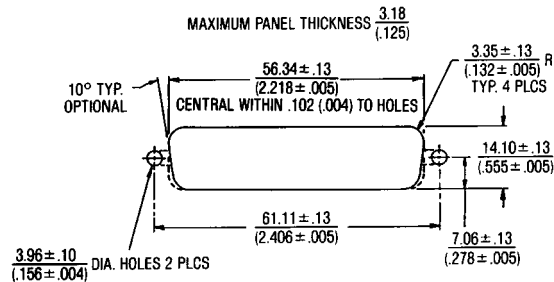
See pages 81-84

### CABLE

See pages 108-120



### RECOMMENDED PANEL CUTOUT DIMENSIONS



### Ordering Information

CATALOG NO.	DESCRIPTION	THREAD TYPE
622-50PM1	Pin Receptacle Connector Assembly Tin Plated Front Shell (Corrugated)	4-40 Flush Threaded Insert
622-50PM2	Pin Receptacle Connector Assembly Tin Plated Front Shell (Corrugated)	M3 Threaded Insert



## METAL SHELL "D" CONNECTOR LOW PROFILE 50 POSITION SOCKETS



### PHYSICAL PROPERTIES

INSULATION MATERIAL: Glass filled thermoplastic rated UL 94V-0  
 COLOR: Blue  
 CONTACT MATERIAL: Beryllium copper; 30μ inches min. gold over 50μ inches nickel in contact zone; tin/lead over nickel in termination area.  
 METAL SHELL: Steel with tin plating

### ELECTRICAL PROPERTIES

CURRENT RATING: 1 Amp  
 INSULATION RESISTANCE: >1000 Megohms @ 500 VDC  
 DIELECTRIC STRENGTH: >1000 VRMS at sea level

### ENVIRONMENTAL PROPERTIES

TEMPERATURE RATING: -55°C TO 125°C

### APPLICATION TOOLING

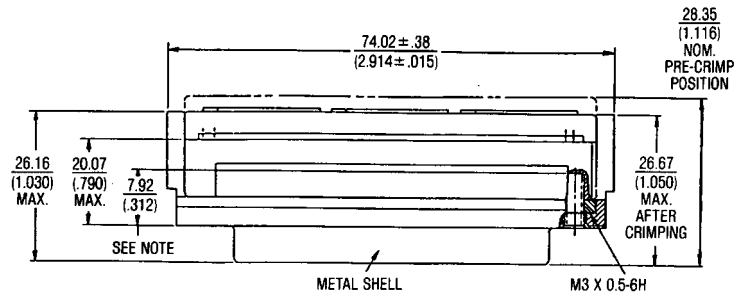
- HAND TOOL 779-2100  
use Die 779-2167
- BENCH PRESS (MANUAL) 779-3200  
use Platen 779-3130  
use Base Plate 779-3167
- BENCH PRESS (PNEUMATIC) 779-3500XT  
use Platen 779-3130  
use Base Plate 779-3167

### ACCESSORIES

See pages 81-84

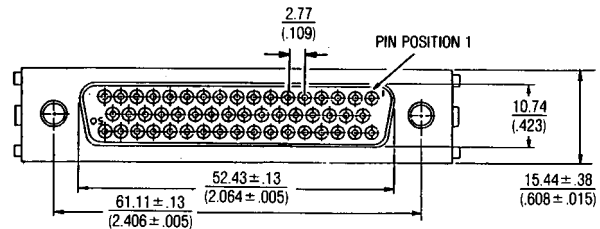
### CABLE

See pages 108-120

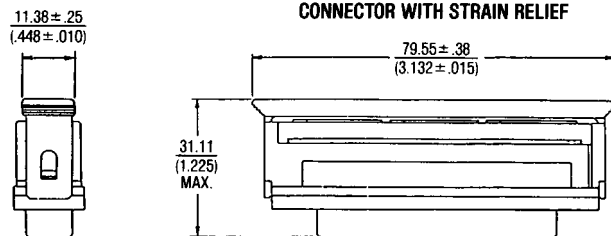


NOTE: 7.92 (.312) IS THE MAXIMUM SCREW PENETRATION INTO THE CONNECTOR.

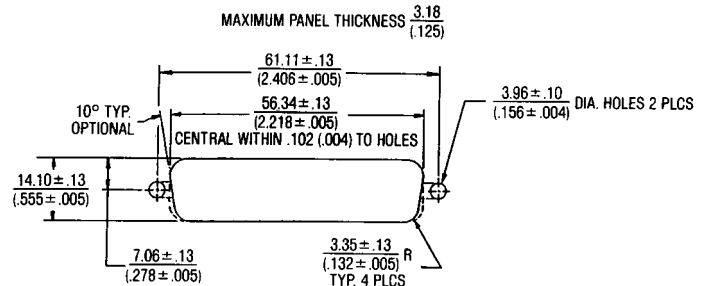
M3 X 0.5-6H METRIC SWAGE NUT 2 PLCS OR #4-40 UNIFIED SWAGE NUT. 2 PLCS



### CONNECTOR WITH STRAIN RELIEF



### RECOMMENDED PANEL CUTOUT DIMENSIONS



### Ordering Information

CATALOG NO.	DESCRIPTION	THREAD TYPE
622-50SM1	Socket Plug Connector Assembly Tin Plated Front Shell	4-40 Flush Threaded Insert
622-50SM2	Socket Plug Connector Assembly Tin Plated Front Shell	M3 Threaded Insert

## BACKSHELL KIT, FINE PITCH D SUB DISCRETE WIRE CABLE CONNECTOR



### PHYSICAL PROPERTIES

#### STRAIN RELIEF STRAP:

Material-Steel, Finish-Bright tin over nickel

#### #2-56 UNC PAN HEAD SCREW:

Material-Steel, Finish-Nickel

#### #2-56 UNC COUNTERSINK SCREW:

Material -Steel, Finish-Nickel

#### SPRING CLIP:

Material-Stainless steel

#### BACKSHELL:

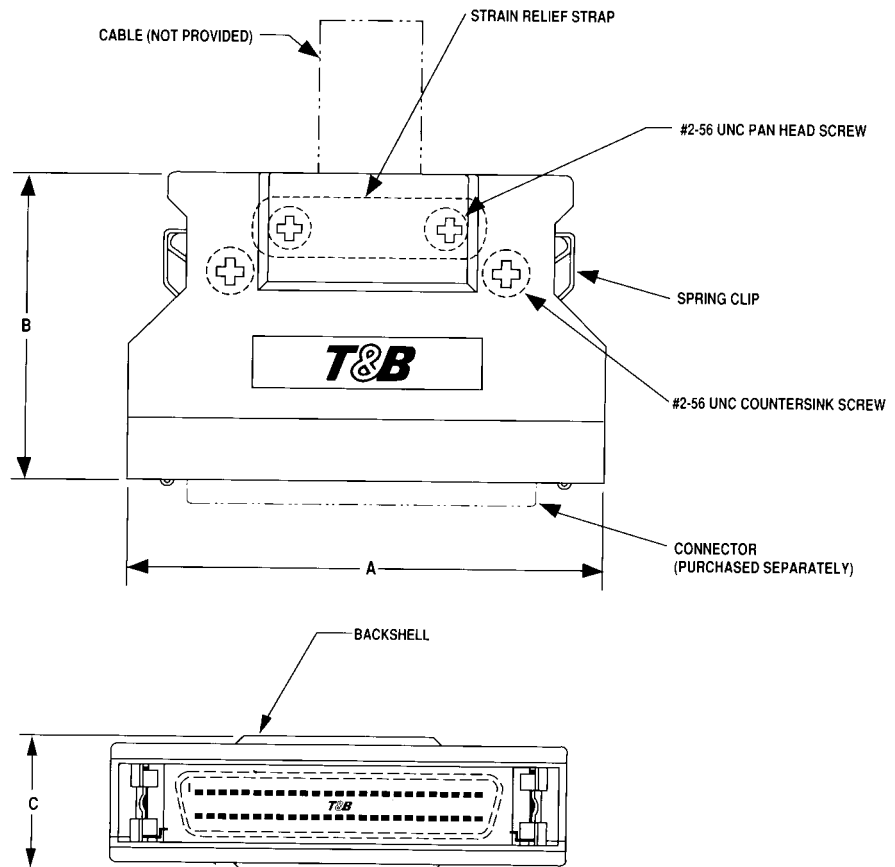
Material-Zinc, Finish-Nickel

#### FOR USE WITH

311-xxx P29

311-xxx PM29

MATES WITH SCSI RECEPTACLES WITH LATCHES  
(N OR J OPTIONS)



### Ordering Information

PART NUMBER	NUMBER OF CONTACTS	A	B	C	MAX. CABLE DIA.
300102-026AS3	26	34.77 (1.369)	32.00 (1.260)	14.61 (0.575)	6.86 (0.270)
300102-040AS4	40	43.66 (1.719)	31.90 (1.256)	14.61 (0.575)	8.13 (0.320)
300102-050AS5	50	50.00 (1.969)	43.18 (1.700)	14.61 (0.575)	10.16 (0.400)
300102-050AS6	50	50.00 (1.969)	43.18 (1.700)	14.61 (0.575)	11.05 (0.435)

## BACKSHELL KIT, FINE PITCH D SUB DISCRETE WIRE CABLE CONNECTOR



LR49571 E60980

### PHYSICAL PROPERTIES

#### STRAIN RELIEF STRAP:

Material-Steel, Finish-Bright tin over nickel

#### #2-56 UNC PAN HEAD SCREW:

Material-Steel, Finish-Nickel

#### #2-56 UNC COUNTERSINK SCREW:

Material -Steel, Finish-Nickel

#### SPRING CLIP:

Material-Stainless steel

#### BACKSHELL:

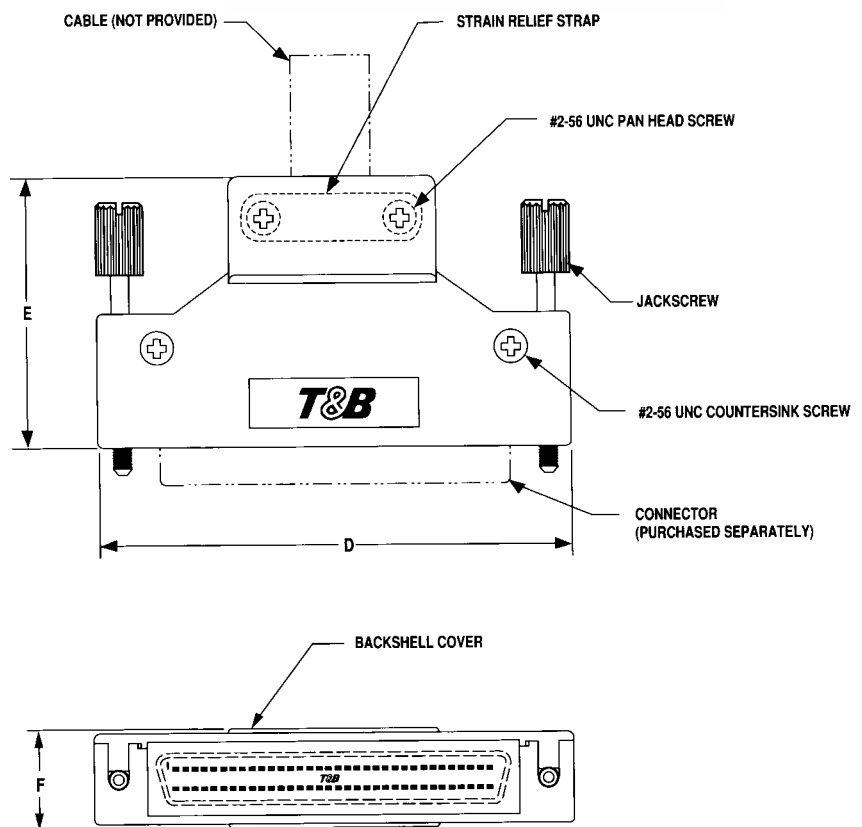
Material-Zinc, Finish-Nickel

#### FOR USE WITH:

311-xxx P29  
311-xxx PM29

#### MATES WITH:

311-xxx-SM29C OR OTHER SCSI RECEPTACLES  
WITH THREADED MOUNTING EARS.



### Ordering Information

PART NUMBER	CONTACTS	JACKSCREW	D	E	F	MAX. CABLE DIA.
300102-026BS3	26	2-56	37.59 (1.480)	32.00 (1.260)	11.94 (0.470)	6.86 (0.270)
300102-068BS6	68	2-56	64.52 (2.545)	36.32 (1.430)	13.08 (0.515)	10.67 (0.420)
300102-080BS7	80	2-56	72.01 (2.835)	38.74 (1.525)	13.84 (0.545)	11.43 (0.450)
300102-100BS8	100	2-56	84.84 (3.340)	43.31 (1.705)	15.37 (0.605)	12.70 (0.500)
300102-026CS3	26	4-40	37.59 (1.480)	32.00 (1.260)	11.94 (0.470)	6.86 (0.270)
300102-068CS6	68	4-40	64.52 (2.545)	36.32 (1.430)	13.08 (0.515)	10.67 (0.420)
300102-080CS7	80	4-40	72.01 (2.835)	38.74 (1.525)	13.84 (0.545)	11.43 (0.450)
300102-100CS8	100	4-40	84.84 (3.340)	43.31 (1.705)	15.37 (0.605)	12.70 (0.500)

## BACKSHELLS FOR METAL SHELL "D" CONNECTORS 9 THROUGH 37 POSITIONS



### PHYSICAL PROPERTIES

INSULATION MATERIAL: Glass filled thermoplastic, rated UL 94V-0

COLOR: Black

INSULATION MATERIAL (SHIELDED): glass filled thermoplastic, rated 94V-0, chrome electroplated

### ELECTRICAL PROPERTIES

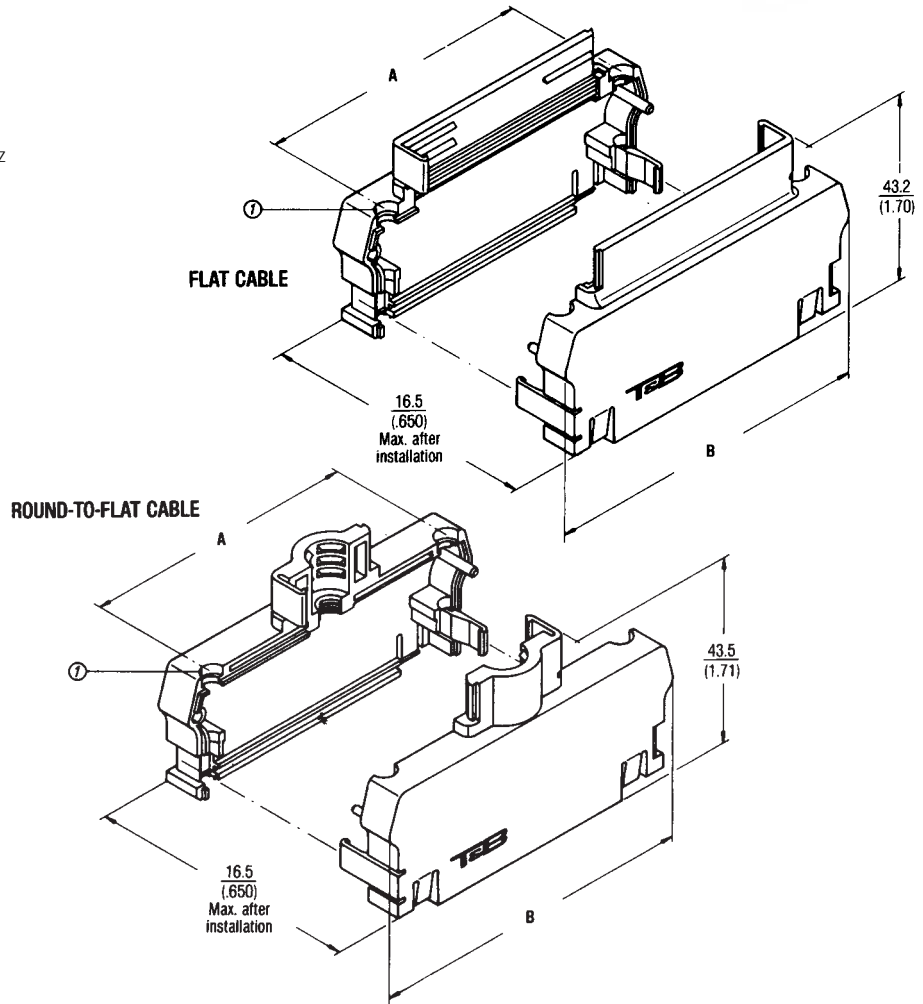
SHIELDING EFFICIENCY: >40dB @ 100 MHz to 1 GHz

### ENVIRONMENTAL PROPERTIES

TEMPERATURE RATING: -55°C to 125°C

### APPLICATION TOOLING

<b>HAND TOOL</b>	779-2100
use Die (Flat Cable Outlet)	779-2173
use Die (Round Cable Outlet)	779-2174
<b>BENCH PRESS (MANUAL)</b>	779-3200
<b>BENCH PRESS (PNEUMATIC)</b>	779-3500XT
use Platen and Base Plate (Flat Cable Outlet)	779-3173
use Platen and Base Plate (Round Cable Outlet)	779-3174



① Use for screw set:  
Mounting screw 609-004 with Jacksocket Assembly 609-003, 609-006-1 or 609-007-1

### Ordering Information

FLAT CABLE	CATALOG NUMBERS BACKSHELL WITH CABLE OUTLET		ROUND CABLE (METALLIZED)	FOR CONNECTOR TYPES SERIES 622	NO. OF POS. A	DIMENSIONS IN MM (INCHES)					
	ROUND CABLE	FLAT CABLE (METALLIZED)				BACKSHELLS B	JACKET Ø MAX.	ROUND CABLE SHIELD Ø MIN.	ROUND CABLE SHIELD Ø MAX.		
622-009D	622-009DR	622-009DM	622-009DRM	622-09PM, M1, M2 622-09SM, M1, M2	9	25.0 (.98)	37.5 (1.48)	4.6 (.18)	6.0 (.24)	2.8 (.11)	4.2 (.165)
622-015D	622-015DR	622-015DM	615-015DR	622-15PM, M1, M2 622-15SM, M1, M2	15	33.3 (1.31)	45.8 (1.80)	6.1 (.24)	7.6 (.299)	4.3 (.169)	5.8 (.228)
622-025D	622-025DR	622-025DM	622-025DRM	622-25PM, M1, M2 622-25SM, M1, M2	25	47.0 (1.85)	59.5 (2.34)	7.1 (.28)	8.8 (.35)	5.3 (.21)	7.0 (.276)
622-037D	622-037DR	622-037DM	622-037DRM	622-37PM, M1, M2 622-37SM, M1, M2	37	63.5 (2.50)	76.0 (2.99)	8.3 (.33)	9.8 (.386)	6.5 (.26)	8.1 (.32)

## BACKSHELLS FOR METAL SHELL "D" CONNECTORS 50 POSITIONS



### PHYSICAL PROPERTIES

INSULATION MATERIAL: Glass filled thermoplastic, rated UL 94V-0

COLOR: Black

INSULATION MATERIAL (SHIELDED): glass filled thermoplastic, rated 94V-0, chrome electroplated

### ELECTRICAL PROPERTIES

SHIELDING EFFICIENCY: >40dB @ 100 MHz to 1 GHz

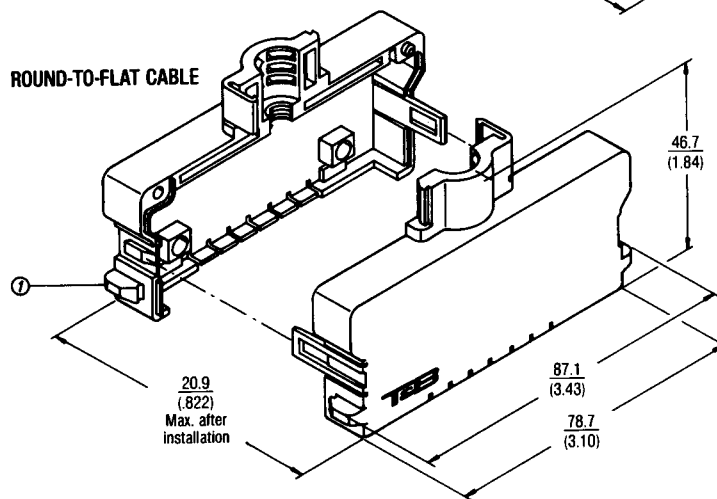
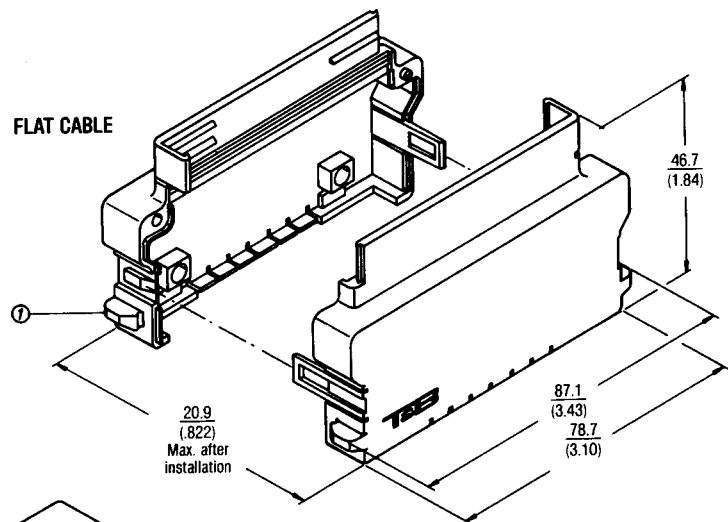
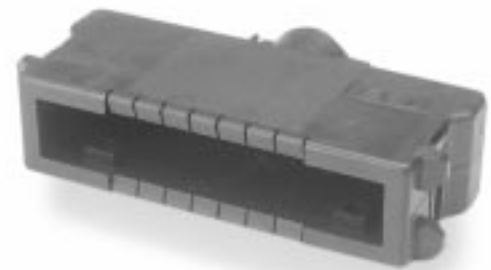
### ENVIRONMENTAL PROPERTIES

TEMPERATURE RATING: -55°C to 125°C

### APPLICATION TOOLING

<b>HAND TOOL</b>	779-2100
use Die (Flat Cable Outlet)	779-2173
use Die (Round Cable Outlet)	779-2174
<b>BENCH PRESS (MANUAL)</b>	779-3200
<b>BENCH PRESS (PNEUMATIC)</b>	779-3500XT
use Platen and Base Plate (Flat Cable Outlet)	779-3173
use Platen and Base Plate (Round Cable Outlet)	779-3174

① Use for Bail Lock Assembly 609-50BL



### Ordering Information

CATALOG NUMBERS						ROUND CABLE			
BACKSHELL WITH CABLE OUTLET				FOR		JACKET Ø		DIELECTRIC OR SHIELD Ø	
FLAT CABLE	ROUND CABLE	FLAT CABLE (METALLIZED)	ROUND CABLE (METALLIZED)	CONNECTOR TYPES	NO. OF POS.	MIN.	MAX.	MIN.	MAX.
622-050D	622-050DR	622-050DM	622-050DRM	622-50P, M1, M2	50	9.4 (.37)	11.2 (.44)	7.6 (.30)	9.4 (.37)
622-050DI	622-050DRI	622-050DMI	622-050DRIM	622-50P, M1, M2	50*	9.4 (.37)	11.2 (.44)	7.6 (.30)	9.4 (.37)

## BACKSHELLS FOR METAL SHELL "D" CONNECTORS FOR ROUND-TO-FLAT CABLE 9-50 POSITIONS



LR92984 E60980

### PHYSICAL PROPERTIES

INSULATION MATERIAL: Glass filled thermoplastic, rated UL 94V-0

COLOR: Tan

INSULATION MATERIAL (SHIELDED): glass filled thermoplastic, rated 94V-0, chrome electroplated

### ELECTRICAL PROPERTIES

SHIELDING EFFICIENCY: >40dB @ 100 MHz to 1 GHz

### ENVIRONMENTAL PROPERTIES

TEMPERATURE RATING: -55°C to 125°C

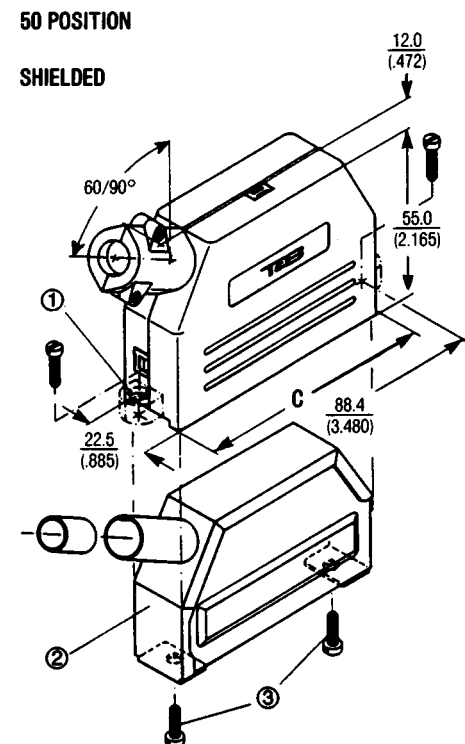
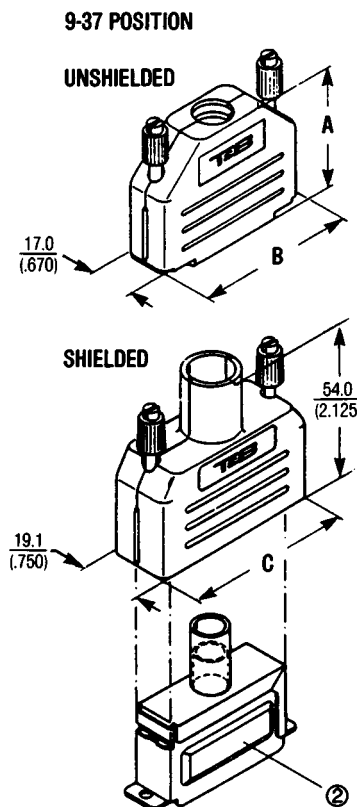
### APPLICATION TOOLING

<b>HAND TOOL</b>	779-2100
use Die (Flat Cable Outlet)	779-2173
use Die (Round Cable Outlet)	779-2174
<b>BENCH PRESS (MANUAL)</b>	779-3200
<b>BENCH PRESS (PNEUMATIC)</b>	779-3500XT
use Platen and Base Plate (Flat Cable Outlet)	779-3173
use Platen and Base Plate (Round Cable Outlet)	779-3174

① - Mounting ears and jackscrews, 4-40 UNC, only on 609-50300-1 and -2 (PI standard)

② - Metal lining (steel plate) with shield crimp barrel

③ - Connector mounting screws, 4-40 UNC, only on 609-50300-2



### Ordering Information

CATALOG NUMBERS FOR PLASTIC BACKSHELL									INSTALLATION TOOL FOR SHIELD TERMINATION WT4454G DIE NO.
UNSHIELDED	SHEILDED WITH METAL LINING	WITH MOUNTING SCREWS OR OPTIONAL SLIDE LOCK RETAINER	NO. OF POS.	FOR CONNECTOR TYPES SERIES 622	CABLE OUTLET (DEGREES)	A	B	C	
609-09301	609-09300	4-40 UNC	9	622-09 X MI	180	34.0 (1.338)	33.0 (1.300)	35.0 (1.378)	WT09300
609-15301	609-15300	4-40 UNC	15	622-15 X MI	180	34.0 (1.338)	41.0 (1.615)	43.0 (1.693)	WT15300
609-25301	609-25300	4-40 UNC	25	622-25 X MI	180	40.0 (1.575)	54.5 (2.145)	57.5 (2.264)	WT25300
609-37301	609-37300	4-40 UNC	37	622-37 X MI	180	40.0 (1.575)	71.0 (2.795)	74.0 (2.913)	WT37300