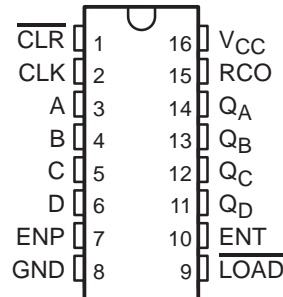


CD54HC160, CD54HC162 BCD SYNCHRONOUS DECADE COUNTERS

SCHS301 – JUNE 2000

- Synchronous Counting and Loading
- Two Count-Enable Inputs for n-Bit Cascading
- Asynchronous Reset (CD54HC160)
- Synchronous Reset (CD54HC162)
- Look-Ahead Carry for High-Speed Counting
- Operating Range 2-V to 6-V V_{CC}
- EPIC™ (Enhanced-Performance Implanted CMOS) Process
- Packaged in Ceramic (F) DIPs

CD54HC160, CD54HC162 . . . F PACKAGE
(TOP VIEW)



description

These synchronous, presettable counters feature an internal carry look-ahead for application in high-speed counting designs. The CD54HC160 and CD54HC162 are BCD decade counters. Synchronous operation is provided by having all flip-flops clocked simultaneously so that the outputs change coincident with each other when so instructed by the count-enable (ENP, ENT) inputs and internal gating. This mode of operation eliminates the output counting spikes that are normally associated with synchronous (ripple-clock) counters. A buffered clock (CLK) input triggers the four flip-flops on the rising (positive-going) edge of the clock waveform.

These counters are fully programmable; that is, they can be preset to any number between 0 and 9. As presetting is synchronous, setting up a low level at the load input disables the counter and causes the outputs to agree with the setup data after the next clock pulse, regardless of the levels of the enable inputs.

The clear function for the CD54HC160 is asynchronous. A low level at the clear (\overline{CLR}) input sets all four of the flip-flop outputs low, regardless of the levels of the CLK, load (\overline{LOAD}), or enable inputs.

The carry look-ahead circuitry provides for cascading counters for n-bit synchronous applications without additional gating. Instrumental in accomplishing this function are ENP, ENT, and a ripple-carry output (RCO). Both ENP and ENT must be high to count, and ENT is fed forward to enable RCO. Enabling RCO produces a high-level pulse while the count is maximum (9 with Q_A high). This high-level overflow ripple-carry pulse can be used to enable successive cascaded stages. Transitions at ENP or ENT are allowed, regardless of the level of CLK.

These counters feature a fully independent clock circuit. Changes at control inputs (ENP, ENT, or \overline{LOAD}) that modify the operating mode have no effect on the contents of the counter until clocking occurs. The function of the counter (whether enabled, disabled, loading, or counting) is dictated solely by the conditions meeting the stable setup and hold times.

The CD54HC160 and CD54HC162 are supplied in 16-lead hermetic dual-in-line ceramic packages (F suffix), and are characterized for operation over the full military temperature range of -55°C to 125°C .



Please be aware that an important notice concerning availability, standard warranty, and use in critical applications of Texas Instruments semiconductor products and disclaimers thereto appears at the end of this data sheet.

EPIC is a trademark of Texas Instruments Incorporated.

PRODUCTION DATA information is current as of publication date. Products conform to specifications per the terms of Texas Instruments standard warranty. Production processing does not necessarily include testing of all parameters.

 **TEXAS
INSTRUMENTS**

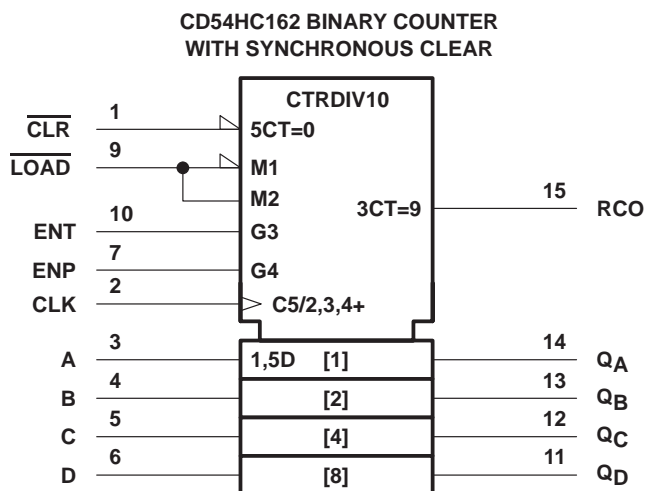
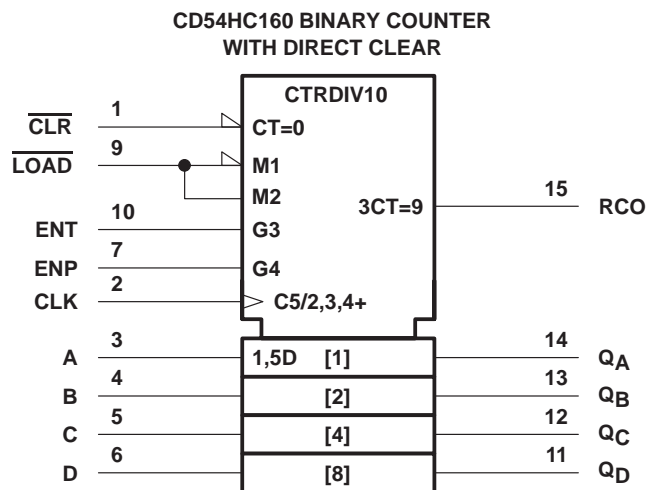
POST OFFICE BOX 655303 • DALLAS, TEXAS 75265

Copyright © 2000, Texas Instruments Incorporated
On products compliant to MIL-PRF-38535, all parameters are tested unless otherwise noted. On all other products, production processing does not necessarily include testing of all parameters.

CD54HC160, CD54HC162 BCD SYNCHRONOUS DECADE COUNTERS

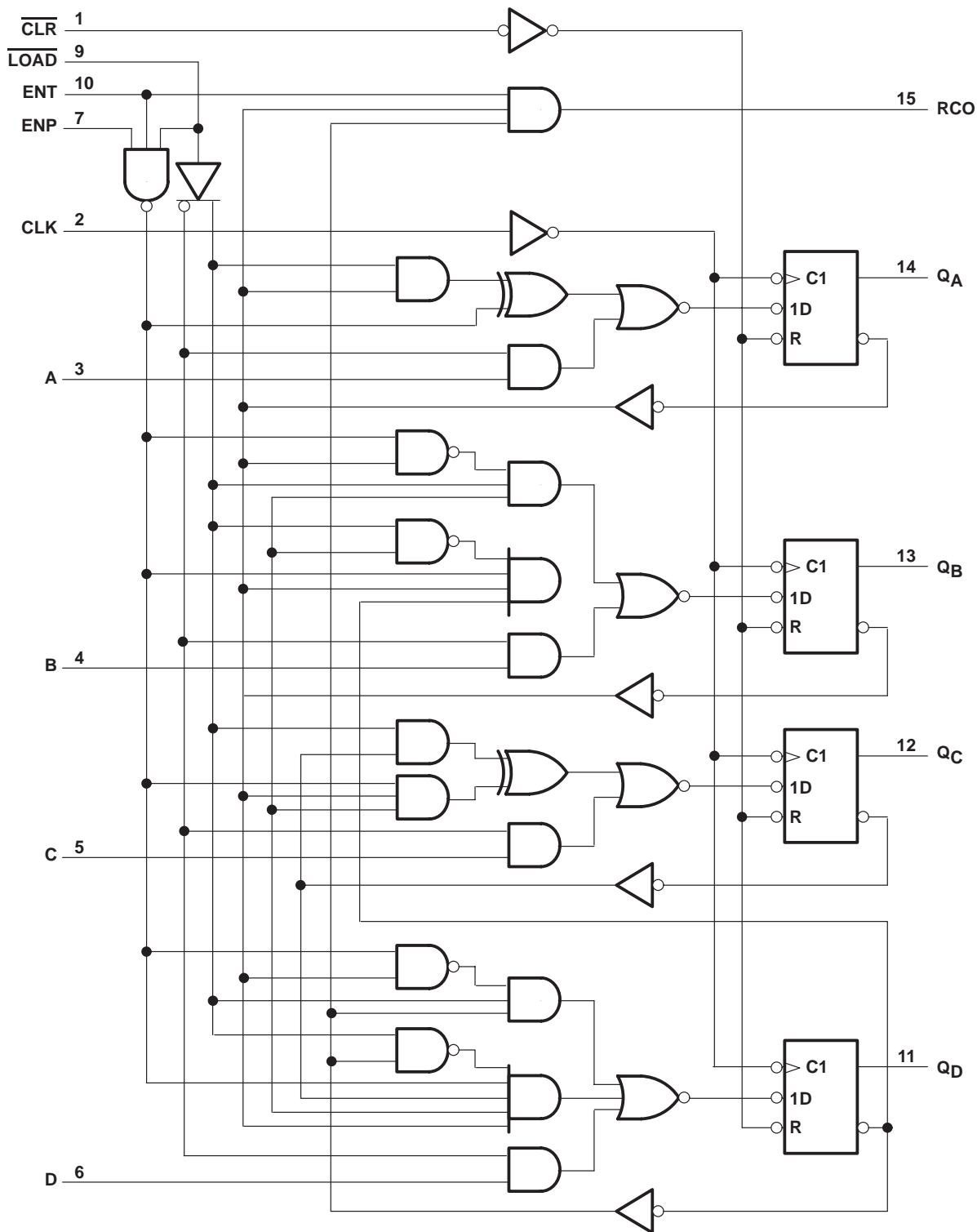
SCHS301 – JUNE 2000

logic symbol†



† These symbols are in accordance with ANSI/IEEE Std 91-1984 and IEC Publication 617-12.

CD54HC160 logic diagram (positive logic)†

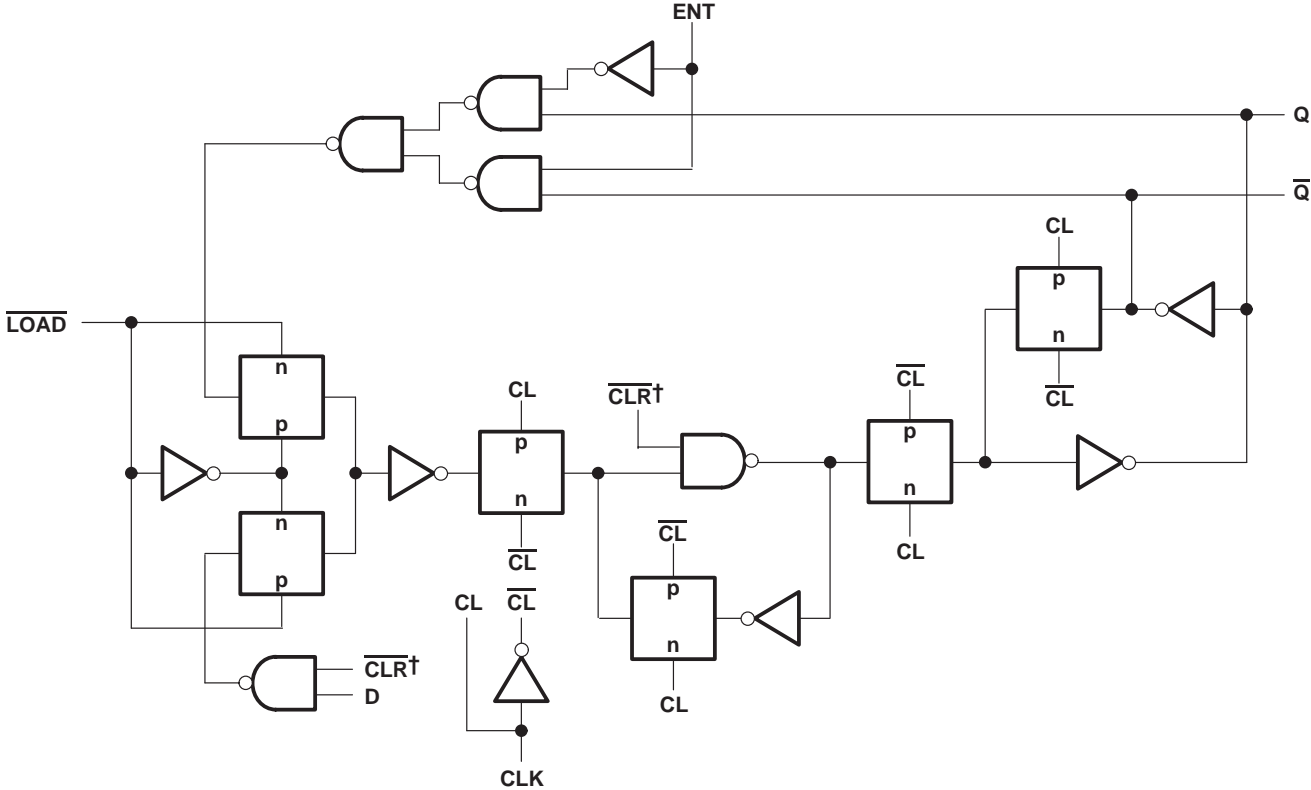


† CD54HC162 decade counter is similar; however, the clear is synchronous.

CD54HC160, CD54HC162 BCD SYNCHRONOUS DECADE COUNTERS

SCHS301 – JUNE 2000

logic diagram, each D/T flip-flop (positive logic)

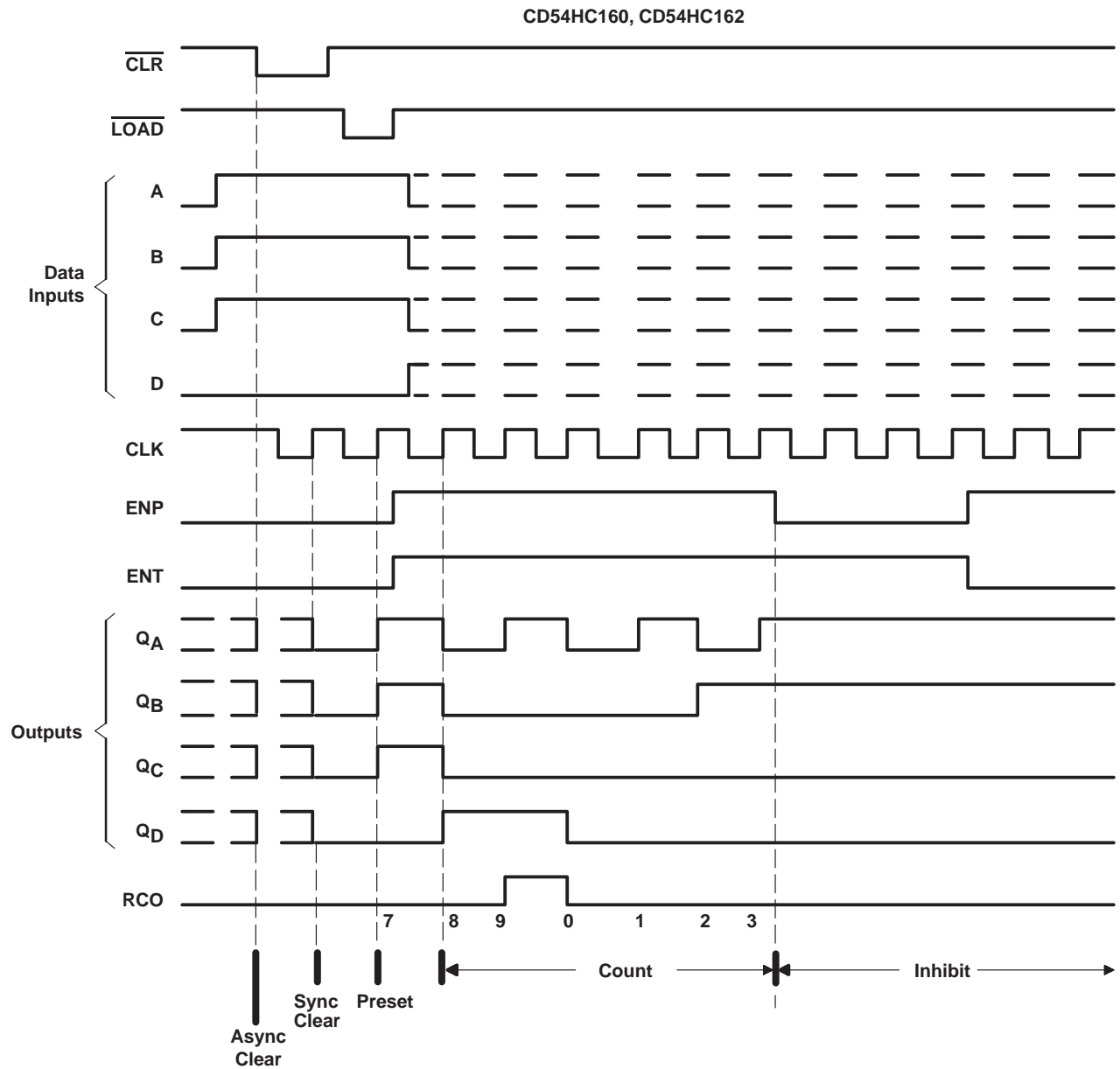


† Connect to V_{DD} for CD54HC162.

typical clear, preset, count, and inhibit sequences

Illustrated below is the following sequence:

1. Clear outputs to zero (CD54HC160 is asynchronous; CD54HC162 is synchronous)
2. Preset BCD to seven
3. Count to eight, nine, zero, one, two, and three
4. Inhibit



CD54HC160, CD54HC162 BCD SYNCHRONOUS DECADE COUNTERS

SCHS301 – JUNE 2000

absolute maximum ratings over operating free-air temperature range (unless otherwise noted)†

Supply voltage range, V_{CC}	-0.5 V to 7 V
Input voltage range, V_I (see Note 1)	-0.5 V to 7 V
Output voltage range, V_O (see Note 1)	-0.5 V to $V_{CC} + 0.5$ V
Input clamp current, I_{IK} ($V_I < -0.5$ V or $V_I > V_{CC} + 0.5$ V)	± 20 mA
Output clamp current, I_{OK} ($V_O < -0.5$ V or $V_O > V_{CC} + 0.5$ V)	± 20 mA
Continuous output current, I_O ($V_O = -0.5$ V to $V_{CC} + 0.5$ V)	± 25 mA
Continuous current through V_{CC} or GND	± 50 mA
Power dissipation, P_D (see Note 2)	500 mW
Storage temperature range, T_{stg}	-65°C to 150°C
Lead temperature 1,6 mm (1/16 inch) from case for 10 seconds	265°C
Lead temperature, unit inserted into a PC board (minimum thickness 1,6 mm, 1/16 inch) with solder contacting lead tips only	300°C

† Stresses beyond those listed under “absolute maximum ratings” may cause permanent damage to the device. These are stress ratings only, and functional operation of the device at these or any other conditions beyond those indicated under “recommended operating conditions” is not implied. Exposure to absolute-maximum-rated conditions for extended periods may affect device reliability.

- NOTES: 1. The input and output voltage ratings may be exceeded if the input and output current ratings are observed.
2. Above 100°C, derate linearly at a factor of 8 mW/°C.

recommended operating conditions (see Note 3)

		MIN	MAX	UNIT	
V_{CC}	Supply voltage	2	6	V	
V_{IH}	High-level input voltage	$V_{CC} = 2$ V	1.5	V	
		$V_{CC} = 4.5$ V	3.15		
		$V_{CC} = 6$ V	4.2		
V_{IL}	Low-level input voltage	$V_{CC} = 2$ V	0.5	V	
		$V_{CC} = 4.5$ V	1.35		
		$V_{CC} = 6$ V	1.8		
V_I	Input voltage	0	V_{CC}	V	
V_O	Output voltage	0	V_{CC}	V	
t_r, t_f	Input transition rise or fall times	$V_{CC} = 2$ V	0	1000	ns
		$V_{CC} = 4.5$ V	0	500	
		$V_{CC} = 6$ V	0	400	
T_A	Operating free-air temperature	-55	125	°C	

NOTE 3: All unused inputs of the device must be held at V_{CC} or GND to ensure proper device operation. Refer to the TI application report, *Implications of Slow or Floating CMOS Inputs*, literature number SCBA004.



CD54HC160, CD54HC162 BCD SYNCHRONOUS DECADE COUNTERS

SCHS301 – JUNE 2000

electrical characteristics over recommended operating free-air temperature range (unless otherwise noted)

PARAMETER	TEST CONDITIONS	V _{CC}	T _A = 25°C			CD54HC160 CD54HC162		UNIT
			MIN	TYP	MAX	MIN	MAX	
V _{OH}	I _{OH} = -20 μA	2 V	1.9			1.9		V
		4.5 V	4.4			4.4		
		6 V	5.9			5.9		
	I _{OH} = -4 mA	4.5 V	3.98			3.7		
	I _{OH} = -5.2 mA	6 V	5.48			5.2		
V _{OL}	I _{OL} = 20 μA	2 V				0.1	0.1	V
		4.5 V				0.1	0.1	
		6 V				0.1	0.1	
	I _{OL} = 4 mA	4.5 V				0.26	0.4	
	I _{OL} = 5.2 mA	6 V				0.26	0.4	
I _I	V _I = V _{CC} or GND	6 V				±0.1	±1	μA
I _{CC}	V _I = V _{CC} or GND, I _O = 0	6 V				8	160	μA
C _{IN}						10	10	pF

timing requirements over recommended operating free-air temperature range, V_{CC} = 2 V (unless otherwise noted) (see Figure 1)

			T _A = 25°C		CD54HC160 CD54HC162		UNIT
			MIN	MAX	MIN	MAX	
f _{max}	Maximum frequency	CLK	6		4		MHz
t _w	Pulse duration	CLK low	80		120		ns
		$\overline{\text{CLR}}$ low ('160 only)	100		150		
t _{su}	Setup time before CLK↑	Data (A, B, C, and D)	60		90		ns
		ENP, ENT	50		75		
		$\overline{\text{LOAD}}$ low	60		90		
		$\overline{\text{CLR}}$ ('162 only)	65		100		
		$\overline{\text{CLR}}$ high ('160 only)	75		110		
t _h	Hold time after CLK↑	Data (A, B, C, and D)	3		3		ns
		ENP, ENT	0		0		
		$\overline{\text{LOAD}}$ low	3		3		

CD54HC160, CD54HC162 BCD SYNCHRONOUS DECADE COUNTERS

SCHS301 – JUNE 2000

timing requirements over recommended operating free-air temperature range, $V_{CC} = 4.5\text{ V}$ (unless otherwise noted) (see Figure 1)

			$T_A = 25^\circ\text{C}$		CD54HC160 CD54HC162		UNIT
			MIN	MAX	MIN	MAX	
f_{max}	Maximum frequency	CLK	30		20		MHz
t_w	Pulse duration	CLK low	16		24		ns
		$\overline{\text{CLR}}$ low ('160 only)	20		30		
t_{su}	Setup time before CLK \uparrow	Data (A, B, C, and D)	12		18		ns
		ENP, ENT	10		15		
		$\overline{\text{LOAD}}$ low	12		18		
		$\overline{\text{CLR}}$ ('162 only)	13		20		
		$\overline{\text{CLR}}$ high ('160 only)	15		22		
t_h	Hold time after CLK \uparrow	Data (A, B, C, and D)	3		3		ns
		ENP, ENT	0		0		
		$\overline{\text{LOAD}}$ low	3		3		

timing requirements over recommended operating free-air temperature range, $V_{CC} = 6\text{ V}$ (unless otherwise noted) (see Figure 1)

			$T_A = 25^\circ\text{C}$		CD54HC160 CD54HC162		UNIT
			MIN	MAX	MIN	MAX	
f_{max}	Maximum frequency	CLK	35		24		MHz
t_w	Pulse duration	CLK low	14		20		ns
		$\overline{\text{CLR}}$ low ('160 only)	17		26		
t_{su}	Setup time before CLK \uparrow	Data (A, B, C, and D)	10		15		ns
		ENP, ENT	9		13		
		$\overline{\text{LOAD}}$ low	10		15		
		$\overline{\text{CLR}}$ ('162 only)	11		17		
		$\overline{\text{CLR}}$ high ('160 only)	13		19		
t_h	Hold time after CLK \uparrow	Data (A, B, C, and D)	3		3		ns
		ENP, ENT	0		0		
		$\overline{\text{LOAD}}$ low	3		3		



CD54HC160, CD54HC162 BCD SYNCHRONOUS DECADE COUNTERS

SCHS301 – JUNE 2000

switching characteristics over recommended operating free-air temperature range, $V_{CC} = 2\text{ V}$ (unless otherwise noted) (see Figure 1)

PARAMETER	FROM (INPUT)	TO (OUTPUT)	LOAD CAPACITANCE	$T_A = 25^\circ\text{C}$		CD54HC160 CD54HC162		UNIT
				MIN	MAX	MIN	MAX	
t_{PLH}	CLK	RCO	$C_L = 50\text{ pF}$	185		280		ns
t_{PHL}				185		280		
t_{PLH}	CLK	Q	$C_L = 50\text{ pF}$	185		280		ns
t_{PHL}				185		280		
t_{PLH}	ENT	RCO	$C_L = 50\text{ pF}$	120		180		ns
t_{PHL}				120		180		
t_{PHL}	$\overline{\text{CLR}}$	Q ('160 only)	$C_L = 50\text{ pF}$	210		315		ns
		RCO ('160 only)		210		315		
t_{TLH}			$C_L = 50\text{ pF}$	75		110		ns
t_{THL}				75		110		

switching characteristics over recommended operating free-air temperature range, $V_{CC} = 4.5\text{ V}$ (unless otherwise noted) (see Figure 1)

PARAMETER	FROM (INPUT)	TO (OUTPUT)	LOAD CAPACITANCE	$T_A = 25^\circ\text{C}$		CD54HC160 CD54HC162		UNIT
				MIN	MAX	MIN	MAX	
t_{PLH}	CLK	RCO	$C_L = 50\text{ pF}$	37		56		ns
t_{PHL}				37		56		
t_{PLH}	CLK	Q	$C_L = 50\text{ pF}$	37		56		ns
t_{PHL}				37		56		
t_{PLH}	ENT	RCO	$C_L = 50\text{ pF}$	24		36		ns
t_{PHL}				24		36		
t_{PHL}	$\overline{\text{CLR}}$	Q ('160 only)	$C_L = 50\text{ pF}$	42		63		ns
		RCO ('160 only)		42		63		
t_{TLH}			$C_L = 50\text{ pF}$	15		22		ns
t_{THL}				15		22		

CD54HC160, CD54HC162 BCD SYNCHRONOUS DECADE COUNTERS

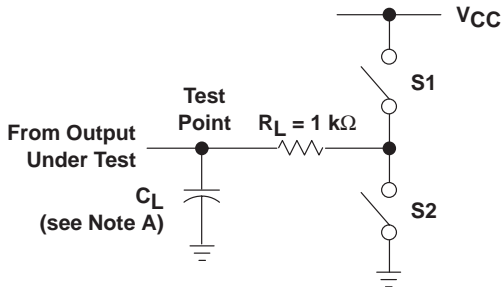
SCHS301 – JUNE 2000

switching characteristics over recommended operating free-air temperature range, $V_{CC} = 6\text{ V}$ (unless otherwise noted) (see Figure 1)

PARAMETER	FROM (INPUT)	TO (OUTPUT)	LOAD CAPACITANCE	$T_A = 25^\circ\text{C}$		CD54HC160 CD54HC162		UNIT
				MIN	MAX	MIN	MAX	
t_{PLH}	CLK	RCO	$C_L = 50\text{ pF}$	31		48		ns
t_{PHL}				31		48		
t_{PLH}	CLK	Q	$C_L = 50\text{ pF}$	31		48		ns
t_{PHL}				31		48		
t_{PLH}	ENT	RCO	$C_L = 50\text{ pF}$	20		31		ns
t_{PHL}				20		31		
t_{PHL}	$\overline{\text{CLR}}$	Q ('160 only)	$C_L = 50\text{ pF}$	36		54		ns
		RCO ('160 only)		36		54		
t_{TLH}			$C_L = 50\text{ pF}$	13		19		ns
t_{THL}				13		19		

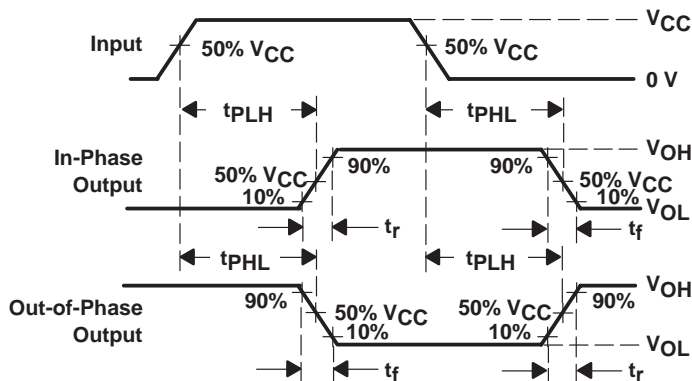


PARAMETER MEASUREMENT INFORMATION



LOAD CIRCUIT

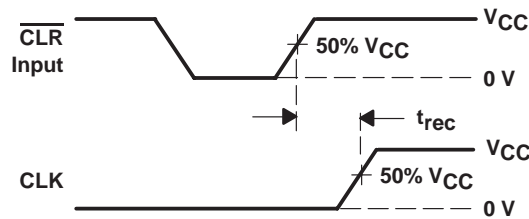
PARAMETER	S1	S2	
t_{en}	t_{PZH}	Open	Closed
	t_{PZL}	Closed	Open
t_{dis}	t_{PHZ}	Open	Closed
	t_{PLZ}	Closed	Open
t_{pd} or t_t	Open	Open	



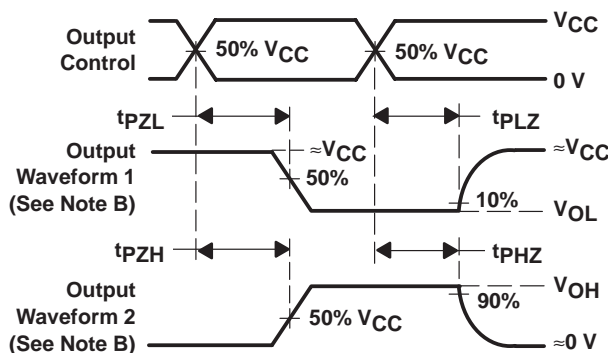
VOLTAGE WAVEFORMS
PROPAGATION DELAY AND OUTPUT TRANSITION TIMES



VOLTAGE WAVEFORM
INPUT RISE AND FALL TIMES



VOLTAGE WAVEFORMS
RECOVERY TIME



VOLTAGE WAVEFORMS
ENABLE AND DISABLE TIMES FOR 3-STATE OUTPUTS

- NOTES:
- A. C_L includes probe and test-fixture capacitance.
 - B. Waveform 1 is for an output with internal conditions such that the output is low except when disabled by the output control. Waveform 2 is for an output with internal conditions such that the output is high except when disabled by the output control.
 - C. Phase relationships between waveforms were chosen arbitrarily. All input pulses are supplied by generators having the following characteristics: $PRR \leq 1$ MHz, $Z_O = 50 \Omega$, $t_r = 6$ ns, $t_f = 6$ ns.
 - D. The outputs are measured one at a time with one input transition per measurement.
 - E. t_{PLZ} and t_{PHZ} are the same as t_{dis} .
 - F. t_{PZL} and t_{PZH} are the same as t_{en} .
 - G. t_{PLH} and t_{PHL} are the same as t_{pd} .

Figure 1. Load Circuit and Voltage Waveforms

PACKAGING INFORMATION

Orderable Device	Status ⁽¹⁾	Package Type	Package Drawing	Pins	Package Qty	Eco Plan ⁽²⁾	Lead/Ball Finish	MSL Peak Temp ⁽³⁾
CD54HC160F3A	OBSOLETE	CDIP	J	16		TBD	Call TI	Call TI
CD54HC162F3A	OBSOLETE	CDIP	J	16		TBD	Call TI	Call TI

⁽¹⁾ The marketing status values are defined as follows:

ACTIVE: Product device recommended for new designs.

LIFEBUY: TI has announced that the device will be discontinued, and a lifetime-buy period is in effect.

NRND: Not recommended for new designs. Device is in production to support existing customers, but TI does not recommend using this part in a new design.

PREVIEW: Device has been announced but is not in production. Samples may or may not be available.

OBSOLETE: TI has discontinued the production of the device.

⁽²⁾ Eco Plan - The planned eco-friendly classification: Pb-Free (RoHS) or Green (RoHS & no Sb/Br) - please check <http://www.ti.com/productcontent> for the latest availability information and additional product content details.

TBD: The Pb-Free/Green conversion plan has not been defined.

Pb-Free (RoHS): TI's terms "Lead-Free" or "Pb-Free" mean semiconductor products that are compatible with the current RoHS requirements for all 6 substances, including the requirement that lead not exceed 0.1% by weight in homogeneous materials. Where designed to be soldered at high temperatures, TI Pb-Free products are suitable for use in specified lead-free processes.

Green (RoHS & no Sb/Br): TI defines "Green" to mean Pb-Free (RoHS compatible), and free of Bromine (Br) and Antimony (Sb) based flame retardants (Br or Sb do not exceed 0.1% by weight in homogeneous material)

⁽³⁾ MSL, Peak Temp. -- The Moisture Sensitivity Level rating according to the JEDEC industry standard classifications, and peak solder temperature.

Important Information and Disclaimer:The information provided on this page represents TI's knowledge and belief as of the date that it is provided. TI bases its knowledge and belief on information provided by third parties, and makes no representation or warranty as to the accuracy of such information. Efforts are underway to better integrate information from third parties. TI has taken and continues to take reasonable steps to provide representative and accurate information but may not have conducted destructive testing or chemical analysis on incoming materials and chemicals. TI and TI suppliers consider certain information to be proprietary, and thus CAS numbers and other limited information may not be available for release.

In no event shall TI's liability arising out of such information exceed the total purchase price of the TI part(s) at issue in this document sold by TI to Customer on an annual basis.

J (R-GDIP-T**)

14 LEADS SHOWN

CERAMIC DUAL IN-LINE PACKAGE



DIM \ PINS **	14	16	18	20
A	0.300 (7,62) BSC	0.300 (7,62) BSC	0.300 (7,62) BSC	0.300 (7,62) BSC
B MAX	0.785 (19,94)	.840 (21,34)	0.960 (24,38)	1.060 (26,92)
B MIN	—	—	—	—
C MAX	0.300 (7,62)	0.300 (7,62)	0.310 (7,87)	0.300 (7,62)
C MIN	0.245 (6,22)	0.245 (6,22)	0.220 (5,59)	0.245 (6,22)



4040083/F 03/03

- NOTES:
- All linear dimensions are in inches (millimeters).
 - This drawing is subject to change without notice.
 - This package is hermetically sealed with a ceramic lid using glass frit.
 - Index point is provided on cap for terminal identification only on press ceramic glass frit seal only.
 - Falls within MIL STD 1835 GDIP1-T14, GDIP1-T16, GDIP1-T18 and GDIP1-T20.

IMPORTANT NOTICE

Texas Instruments Incorporated and its subsidiaries (TI) reserve the right to make corrections, modifications, enhancements, improvements, and other changes to its products and services at any time and to discontinue any product or service without notice. Customers should obtain the latest relevant information before placing orders and should verify that such information is current and complete. All products are sold subject to TI's terms and conditions of sale supplied at the time of order acknowledgment.

TI warrants performance of its hardware products to the specifications applicable at the time of sale in accordance with TI's standard warranty. Testing and other quality control techniques are used to the extent TI deems necessary to support this warranty. Except where mandated by government requirements, testing of all parameters of each product is not necessarily performed.

TI assumes no liability for applications assistance or customer product design. Customers are responsible for their products and applications using TI components. To minimize the risks associated with customer products and applications, customers should provide adequate design and operating safeguards.

TI does not warrant or represent that any license, either express or implied, is granted under any TI patent right, copyright, mask work right, or other TI intellectual property right relating to any combination, machine, or process in which TI products or services are used. Information published by TI regarding third-party products or services does not constitute a license from TI to use such products or services or a warranty or endorsement thereof. Use of such information may require a license from a third party under the patents or other intellectual property of the third party, or a license from TI under the patents or other intellectual property of TI.

Reproduction of information in TI data books or data sheets is permissible only if reproduction is without alteration and is accompanied by all associated warranties, conditions, limitations, and notices. Reproduction of this information with alteration is an unfair and deceptive business practice. TI is not responsible or liable for such altered documentation.

Resale of TI products or services with statements different from or beyond the parameters stated by TI for that product or service voids all express and any implied warranties for the associated TI product or service and is an unfair and deceptive business practice. TI is not responsible or liable for any such statements.

Following are URLs where you can obtain information on other Texas Instruments products and application solutions:

Products		Applications	
Amplifiers	amplifier.ti.com	Audio	www.ti.com/audio
Data Converters	dataconverter.ti.com	Automotive	www.ti.com/automotive
DSP	dsp.ti.com	Broadband	www.ti.com/broadband
Interface	interface.ti.com	Digital Control	www.ti.com/digitalcontrol
Logic	logic.ti.com	Military	www.ti.com/military
Power Mgmt	power.ti.com	Optical Networking	www.ti.com/opticalnetwork
Microcontrollers	microcontroller.ti.com	Security	www.ti.com/security
		Telephony	www.ti.com/telephony
		Video & Imaging	www.ti.com/video
		Wireless	www.ti.com/wireless

Mailing Address: Texas Instruments
Post Office Box 655303 Dallas, Texas 75265