

EMI Suppression Capacitors X2 Class 330VAC

MEX 330V Series

MERITEK

FEATURE

- Self-Healing Property
- Dielectric: Metallized Polypropylene Film
- Winding: Non-Inductive Type
- Over Voltage Stress Withstanding
- Flammability Classification 94V-0
- UL/cUL Safety Approved: Certification No: E197475



PART NUMBERING SYSTEM

MEX 223 K 330V XXXX
(1) (2) (3) (4) (5)



No	Item	Digit	Description	Reference
(1)	Meritek Series	MEX	EMI Suppression Capacitors	X2 Safety Cap
(2)	Capacitance	223	223: 22000pF	First two digits: Significant, Third: Multiplier
(3)	Tolerance	K	K: ±10%	-10%~+10%
(4)	Rated Voltage	330V	330V: 330VAC	330V:330VAC, 440V:440VAC, 480V: 480VAC
(5)	Internal Code	xxxx	Pitch or Internal control code	Internal Control or project reference

SPECIFICATIONS

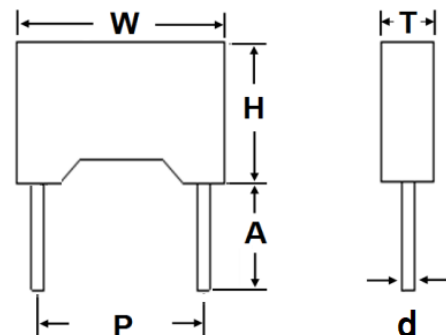
Item	Characteristic	
Operating Temperature Range	-40°C ~ +110°C	
Rated Voltage , Climate Category	330VAC at 50~60Hz,	40/110/56/B
Capacitance, Tolerance	0.001μF ~ 55.0μF	±5% (J), ±10% (K), ±20% (M)
Dissipation Factor (tan δ)	≤0.1%	at 1KHz ±2%, ≤1.0V _{RMS}
Insulation resistance at 100V _{DC} , Change Time: 60s ±5s	≥ 15,000MΩ (C≤0.33μF)	≥ 5,000MΩ*μF/C (C>0.33μF)
Withstanding Voltage	Between Terminals	Between Terminals and Case
	4.3*U _{rDC} for 60s	2*U _r +1.5KV _{AC} for 2~5s, Min 2KV _{AC}

DIMENSION

P (mm)	d (mm)	W, H, T (mm)
7.5	0.6	See Table Attached
10.0	0.6	
15.0	0.6	
22.5	0.8	
27.5	0.8	
32.5	0.8	
37.5	1.0	
47.5	1.0	

Note:

1. Standard lead length A: 15mm min.
2. Contact Meritek for other available options for lead forming or assembly



EMI Suppression Capacitors X2 Class 330VAC

MEX 330V Series

MERITEK

ELECTRICAL SPECIFICATION – 330VAC

Part Number	Cap Code	Cap	Tol	Volt	W	H	T	P	d	Safety
		(μ F)	(%)	(V _{AC})	(mm)	(mm)	(mm)	(mm)	(mm)	Compliance
MEX102□330V75	102	0.0010	J,K,M	330	10.0	9.0	4.0	7.5	0.6	UL,cUL,ENEC
MEX102□330V10	102	0.0010	J,K,M	330	13.0	11.0	5.0	10.0	0.6	UL,cUL,ENEC
MEX102□330V15	102	0.0010	J,K,M	330	18.0	11.0	5.0	15.0	0.6	UL,cUL,ENEC
MEX152□330V75	152	0.0015	J,K,M	330	10.0	9.0	4.0	7.5	0.6	UL,cUL,ENEC
MEX152□330V10	152	0.0015	J,K,M	330	13.0	11.0	5.0	10.0	0.6	UL,cUL,ENEC
MEX152□330V15	152	0.0015	J,K,M	330	18.0	11.0	5.0	15.0	0.6	UL,cUL,ENEC
MEX222□330V75	222	0.0022	J,K,M	330	10.0	9.0	4.0	7.5	0.6	UL,cUL,ENEC
MEX222□330V10	222	0.0022	J,K,M	330	13.0	11.0	5.0	10.0	0.6	UL,cUL,ENEC
MEX222□330V15	222	0.0022	J,K,M	330	18.0	11.0	5.0	15.0	0.6	UL,cUL,ENEC
MEX272□330V75	272	0.0027	J,K,M	330	10.0	9.0	4.0	7.5	0.6	UL,cUL,ENEC
MEX272□330V10	272	0.0027	J,K,M	330	13.0	11.0	5.0	10.0	0.6	UL,cUL,ENEC
MEX272□330V15	272	0.0027	J,K,M	330	18.0	11.0	5.0	15.0	0.6	UL,cUL,ENEC
MEX332□330V75	332	0.0033	J,K,M	330	10.0	9.0	4.0	7.5	0.6	UL,cUL,ENEC
MEX332□330V10	332	0.0033	J,K,M	330	13.0	11.0	5.0	10.0	0.6	UL,cUL,ENEC
MEX332□330V15	332	0.0033	J,K,M	330	18.0	11.0	5.0	15.0	0.6	UL,cUL,ENEC
MEX392□330V75	392	0.0039	J,K,M	330	10.0	9.0	4.0	7.5	0.6	UL,cUL,ENEC
MEX392□330V10	392	0.0039	J,K,M	330	13.0	11.0	5.0	10.0	0.6	UL,cUL,ENEC
MEX392□330V15	392	0.0039	J,K,M	330	18.0	11.0	5.0	15.0	0.6	UL,cUL,ENEC
MEX472□330V75	472	0.0047	J,K,M	330	10.0	9.0	4.0	7.5	0.6	UL,cUL,ENEC
MEX472□330V10	472	0.0047	J,K,M	330	13.0	11.0	5.0	10.0	0.6	UL,cUL,ENEC
MEX472□330V15	472	0.0047	J,K,M	330	18.0	11.0	5.0	15.0	0.6	UL,cUL,ENEC
MEX562□330V75	562	0.0056	J,K,M	330	10.0	9.0	4.0	7.5	0.6	UL,cUL,ENEC
MEX562□330V10	562	0.0056	J,K,M	330	13.0	11.0	5.0	10.0	0.6	UL,cUL,ENEC
MEX562□330V15	562	0.0056	J,K,M	330	18.0	11.0	5.0	15.0	0.6	UL,cUL,ENEC
MEX682□330V75A	682	0.0068	J,K,M	330	10.0	9.0	4.0	7.5	0.6	UL,cUL,ENEC
MEX682□330V75B	682	0.0068	J,K,M	330	10.5	11.0	5.0	7.5	0.6	UL,cUL,ENEC
MEX682□330V10	682	0.0068	J,K,M	330	13.0	11.0	5.0	10.0	0.6	UL,cUL,ENEC
MEX682□330V15	682	0.0068	J,K,M	330	18.0	11.0	5.0	15.0	0.6	UL,cUL,ENEC
MEX822□330V75A	822	0.0082	J,K,M	330	10.0	9.0	4.0	7.5	0.6	UL,cUL,ENEC
MEX822□330V75B	822	0.0082	J,K,M	330	10.5	11.0	5.0	7.5	0.6	UL,cUL,ENEC
MEX822□330V10	822	0.0082	J,K,M	330	13.0	11.0	5.0	10.0	0.6	UL,cUL,ENEC
MEX822□330V15	822	0.0082	J,K,M	330	18.0	11.0	5.0	15.0	0.6	UL,cUL,ENEC
MEX103□330V75A	103	0.010	J,K,M	330	10.0	9.0	4.0	7.5	0.6	UL,cUL,ENEC
MEX103□330V75B	103	0.010	J,K,M	330	10.5	11.0	5.0	7.5	0.6	UL,cUL,ENEC
MEX103□330V10	103	0.010	J,K,M	330	13.0	11.0	5.0	10.0	0.6	UL,cUL,ENEC

Note: 1. □: denotes tolerance code; 2. Contact Meritek for Part Number on options on lead: diameter, length, and/or forming.

EMI Suppression Capacitors X2 Class 330VAC

MEX 330V Series

MERITEK

ELECTRICAL SPECIFICATION – 330VAC

Part Number	Cap Code	Cap	Tol	Volt	W	H	T	P	d	Safety
		(μ F)	(%)	(V _{AC})	(mm)	(mm)	(mm)	(mm)	(mm)	Compliance
MEX103□330V15	103	0.010	J,K,M	330	18.0	11.0	5.0	15.0	0.6	UL,cUL,ENEC
MEX123□330V75A	123	0.012	J,K,M	330	10.0	9.0	4.0	7.5	0.6	UL,cUL,ENEC
MEX123□330V75B	123	0.012	J,K,M	330	10.5	12.0	6.0	7.5	0.6	UL,cUL,ENEC
MEX123□330V10	123	0.012	J,K,M	330	13.0	11.0	5.0	10.0	0.6	UL,cUL,ENEC
MEX123□330V15	123	0.012	J,K,M	330	18.0	11.0	5.0	15.0	0.6	UL,cUL,ENEC
MEX153□330V75A	153	0.015	M	330	10.5	12.0	6.0	7.5	0.6	UL,cUL,ENEC
MEX153□330V75B	153	0.015	J,K,M	330	10.0	9.0	4.0	7.5	0.6	UL,cUL,ENEC
MEX153□330V10	153	0.015	J,K,M	330	13.0	11.0	5.0	10.0	0.6	UL,cUL,ENEC
MEX153□330V15	153	0.015	J,K,M	330	18.0	11.0	5.0	15.0	0.6	UL,cUL,ENEC
MEX183□330V75	183	0.018	J,K,M	330	10.0	9.0	4.0	7.5	0.6	UL,cUL,ENEC
MEX183□330V10	183	0.018	J,K,M	330	13.0	11.0	5.0	10.0	0.6	UL,cUL,ENEC
MEX183□330V15	183	0.018	J,K,M	330	18.0	11.0	5.0	15.0	0.6	UL,cUL,ENEC
MEX223□330V75	223	0.022	J,K,M	330	10.5	11.0	5.0	7.5	0.6	UL,cUL,ENEC
MEX223□330V10	223	0.022	J,K,M	330	13.0	11.0	5.0	10.0	0.6	UL,cUL,ENEC
MEX223□330V15	223	0.022	J,K,M	330	18.0	11.0	5.0	15.0	0.6	UL,cUL,ENEC
MEX273□330V75	273	0.027	J,K,M	330	10.5	11.0	5.0	7.5	0.6	UL,cUL,ENEC
MEX273□330V10A	273	0.027	J,K,M	330	13.0	11.0	5.0	10.0	0.6	UL,cUL,ENEC
MEX273□330V10B	273	0.027	J,K,M	330	13.0	12.0	6.0	10.0	0.6	UL,cUL,ENEC
MEX273□330V15	273	0.027	J,K,M	330	18.0	11.0	5.0	15.0	0.6	UL,cUL,ENEC
MEX333□330V75	333	0.033	J,K,M	330	10.5	11.0	5.0	7.5	0.6	UL,cUL,ENEC
MEX333□330V10A	333	0.033	J,K,M	330	13.0	11.0	5.0	10.0	0.6	UL,cUL,ENEC
MEX333□330V10B	333	0.033	J,K,M	330	13.0	12.0	6.0	10.0	0.6	UL,cUL,ENEC
MEX333□330V15	333	0.033	J,K,M	330	18.0	11.0	5.0	15.0	0.6	UL,cUL,ENEC
MEX393□330V10A	393	0.039	J,K,M	330	13.0	11.0	5.0	10.0	0.6	UL,cUL,ENEC
MEX393□330V10B	393	0.039	J,K,M	330	13.0	13.0	7.0	10.0	0.6	UL,cUL,ENEC
MEX393□330V15	393	0.039	J,K,M	330	18.0	12.0	6.0	15.0	0.6	UL,cUL,ENEC
MEX393□330V22	393	0.039	J,K,M	330	25.0	14.5	6.0	22.5	0.8	UL,cUL,ENEC
MEX473□330V75	473	0.047	J,K,M	330	10.5	11.0	5.0	7.5	0.6	UL,cUL,ENEC
MEX473□330V10A	473	0.047	M	330	13.0	13.0	7.0	10.0	0.6	UL,cUL,ENEC
MEX473□330V10B	473	0.047	J,K,M	330	13.0	11.0	5.0	10.0	0.6	UL,cUL,ENEC
MEX473□330V15A	473	0.047	J,K,M	330	18.0	11.0	5.0	15.0	0.6	UL,cUL,ENEC
MEX473□330V15B	473	0.047	J,K,M	330	18.0	12.0	6.0	15.0	0.6	UL,cUL,ENEC
MEX473□330V22	473	0.047	J,K,M	330	25.0	14.5	6.0	22.5	0.8	UL,cUL,ENEC
MEX563□330V10A	563	0.056	J,K,M	330	13.0	12.0	6.0	10.0	0.6	UL,cUL,ENEC
MEX563□330V10B	563	0.056	J,K,M	330	13.0	11.0	5.0	10.0	0.6	UL,cUL,ENEC

Note: 1. □: denotes tolerance code; 2. Contact Meritek for Part Number on options on lead: diameter, length, and/or forming.

EMI Suppression Capacitors X2 Class 330VAC

MEX 330V Series

MERITEK

ELECTRICAL SPECIFICATION – 330VAC

Part Number	Cap Code	Cap	Tol	Volt	W	H	T	P	d	Safety
		(μ F)	(%)	(V _{AC})	(mm)	(mm)	(mm)	(mm)	(mm)	Compliance
MEX563□330V10C	563	0.056	J,K,M	330	13.0	14.0	8.0	10.0	0.6	UL,cUL,ENEC
MEX563□330V15A	563	0.056	J,K,M	330	18.0	11.0	5.0	15.0	0.6	UL,cUL,ENEC
MEX563□330V15B	563	0.056	M	330	18.0	12.0	6.0	15.0	0.6	UL,cUL,ENEC
MEX563□330V15C	563	0.056	J,K,M	330	18.0	13.5	6.0	15.0	0.6	UL,cUL,ENEC
MEX563□330V22	563	0.056	J,K,M	330	25.0	14.5	6.0	22.5	0.8	UL,cUL,ENEC
MEX683□330V75	683	0.068	J,K,M	330	10.5	12.0	6.0	7.5	0.6	UL,cUL,ENEC
MEX683□330V10	683	0.068	J,K,M	330	13.0	12.0	6.0	10.0	0.6	UL,cUL,ENEC
MEX683□330V15A	683	0.068	J,K,M	330	17.0	11.0	5.5	15.0	0.6	UL,cUL,ENEC
MEX683□330V15B	683	0.068	J,K,M	330	17.0	15.5	7.5	15.0	0.6	UL,cUL,ENEC
MEX683□330V22	683	0.068	J,K,M	330	25.0	14.5	6.0	22.5	0.8	UL,cUL,ENEC
MEX823□330V10	823	0.082	J,K,M	330	13.0	12.0	6.0	10.0	0.6	UL,cUL,ENEC
MEX823□330V15A	823	0.082	J,K,M	330	17.0	11.0	5.5	15.0	0.6	UL,cUL,ENEC
MEX823□330V15B	823	0.082	J,K,M	330	17.0	15.5	7.5	15.0	0.6	UL,cUL,ENEC
MEX823□330V22	823	0.082	J,K,M	330	25.0	14.5	6.0	22.5	0.8	UL,cUL,ENEC
MEX104□330V10A	104	0.10	M	330	13.0	12.0	6.0	10.0	0.6	UL,cUL,ENEC
MEX104□330V10B	104	0.10	J,K,M	330	13.0	14.0	8.0	10.0	0.6	UL,cUL,ENEC
MEX104□330V15A	104	0.10	J,K,M	330	17.0	11.0	5.5	15.0	0.6	UL,cUL,ENEC
MEX104□330V15B	104	0.10	M	330	17.0	15.5	7.5	15.0	0.6	UL,cUL,ENEC
MEX104□330V15C	104	0.10	J,K,M	330	18.0	14.5	8.5	15.0	0.6	UL,cUL,ENEC
MEX104□330V22	104	0.10	J,K,M	330	25.0	14.5	6.0	22.5	0.8	UL,cUL,ENEC
MEX124□330V15A	124	0.12	J,K,M	330	18.0	12.0	6.0	15.0	0.6	UL,cUL,ENEC
MEX124□330V15B	124	0.12	J,K,M	330	17.0	16.5	9.5	15.0	0.6	UL,cUL,ENEC
MEX124□330V22	124	0.12	J,K,M	330	25.0	14.5	6.0	22.5	0.8	UL,cUL,ENEC
MEX154□330V10A	154	0.15	M	330	13.0	12.0	6.0	10.0	0.6	UL,cUL,ENEC
MEX154□330V10B	154	0.15	J,K,M	330	13.0	14.0	8.0	10.0	0.6	UL,cUL,ENEC
MEX154□330V15A	154	0.15	M	330	17.0	16.5	9.5	15.0	0.6	UL,cUL,ENEC
MEX154□330V15B	154	0.15	J,K,M	330	18.0	13.5	6.0	15.0	0.6	UL,cUL,ENEC
MEX154□330V15C	154	0.15	J,K,M	330	17.0	19.0	11.0	15.0	0.6	UL,cUL,ENEC
MEX154□330V22A	154	0.15	J,K,M	330	25.0	14.5	6.0	22.5	0.8	UL,cUL,ENEC
MEX154□330V22B	154	0.15	J,K,M	330	26.5	16.5	7.0	22.5	0.8	UL,cUL,ENEC
MEX154□330V27	154	0.15	J,K,M	330	31.5	16.5	7.5	27.5	0.8	UL,cUL,ENEC
MEX184□330V15A	184	0.18	J,K,M	330	17.0	15.5	7.5	15.0	0.6	UL,cUL,ENEC
MEX184□330V15B	184	0.18	J,K,M	330	17.0	19.0	11.0	15.0	0.6	UL,cUL,ENEC
MEX184□330V22	184	0.18	J,K,M	330	25.0	14.5	6.0	22.5	0.8	UL,cUL,ENEC
MEX184□330V27	184	0.18	J,K,M	330	31.5	16.5	7.5	27.5	0.8	UL,cUL,ENEC

Note: 1. □: denotes tolerance code; 2. Contact Meritek for Part Number on options on lead: diameter, length, and/or forming.

EMI Suppression Capacitors X2 Class 330VAC

MEX 330V Series

MERITEK

ELECTRICAL SPECIFICATION – 330VAC

Part Number	Cap Code	Cap	Tol	Volt	W	H	T	P	d	Safety
		(μ F)	(%)	(V _{AC})	(mm)	(mm)	(mm)	(mm)	(mm)	Compliance
MEX224□330V10	224	0.22	J,K,M	330	13.0	14.0	8.0	10.0	0.6	UL,cUL,ENEC
MEX224□330V15A	224	0.22	J,K,M	330	18.0	13.5	6.0	15.0	0.6	UL,cUL,ENEC
MEX224□330V15B	224	0.22	J,K,M	330	17.0	11.0	5.5	15.0	0.6	UL,cUL,ENEC
MEX224□330V15C	224	0.22	J,K,M	330	17.0	15.5	7.5	15.0	0.6	UL,cUL,ENEC
MEX224□330V22A	224	0.22	J,K,M	330	25.0	14.5	6.0	22.5	0.8	UL,cUL,ENEC
MEX224□330V22B	224	0.22	J,K,M	330	25.0	17.5	8.0	22.5	0.8	UL,cUL,ENEC
MEX224□330V22C	224	0.22	J,K,M	330	26.5	17.5	8.5	22.5	0.8	UL,cUL,ENEC
MEX224□330V27	224	0.22	J,K,M	330	32.0	18.0	9.0	27.5	0.8	UL,cUL,ENEC
MEX274□330V15	274	0.27	J,K,M	330	17.0	15.5	7.5	15.0	0.6	UL,cUL,ENEC
MEX274□330V22A	274	0.27	J,K,M	330	26.5	16.5	7.0	22.5	0.8	UL,cUL,ENEC
MEX274□330V22B	274	0.27	J,K,M	330	26.5	19.0	10.0	22.5	0.8	UL,cUL,ENEC
MEX274□330V27	274	0.27	J,K,M	330	32.0	18.0	9.0	27.5	0.8	UL,cUL,ENEC
MEX334□330V15A	334	0.33	J,K,M	330	18.0	13.5	6.0	15.0	0.6	UL,cUL,ENEC
MEX334□330V15B	334	0.33	J,K,M	330	18.0	14.5	8.5	15.0	0.6	UL,cUL,ENEC
MEX334□330V15C	334	0.33	J,K,M	330	17.0	15.5	7.5	15.0	0.6	UL,cUL,ENEC
MEX334□330V15D	334	0.33	J,K,M	330	17.0	16.5	9.5	15.0	0.6	UL,cUL,ENEC
MEX334□330V22A	334	0.33	J,K,M	330	26.5	16.5	7.0	22.5	0.8	UL,cUL,ENEC
MEX334□330V22B	334	0.33	J,K,M	330	26.0	20.0	11.0	22.5	0.8	UL,cUL,ENEC
MEX334□330V27A	334	0.33	J,K,M	330	31.5	20.0	11.0	27.5	0.8	UL,cUL,ENEC
MEX334□330V27B	334	0.33	J,K,M	330	32.0	12.0	18.0	27.5	0.8	UL,cUL,ENEC
MEX334□330V27C	334	0.33	J,K,M	330	31.5	16.5	7.5	27.5	0.8	UL,cUL,ENEC
MEX334□330V32	334	0.33	J,K,M	330	37.0	24.0	13.5	32.5	0.8	UL,cUL,ENEC
MEX304□330V37	304	0.30	J,K,M	330	41.0	22.0	11.0	37.5	1.0	UL,cUL,ENEC
MEX394□330V22A	394	0.39	J,K,M	330	26.5	17.0	8.5	22.5	0.8	UL,cUL,ENEC
MEX394□330V22B	394	0.39	J,K,M	330	26.0	20.0	11.0	22.5	0.8	UL,cUL,ENEC
MEX394□330V27A	394	0.39	J,K,M	330	31.5	16.5	7.5	27.5	0.8	UL,cUL,ENEC
MEX394□330V27B	394	0.39	J,K,M	330	31.5	20.0	11.0	27.5	0.8	UL,cUL,ENEC
MEX394□330V32	394	0.39	J,K,M	330	37.0	24.0	13.5	32.5	0.8	UL,cUL,ENEC
MEX404□330V37	404	0.40	J,K,M	330	41.0	22.0	11.0	37.5	1.0	UL,cUL,ENEC
MEX474□330V15A	474	0.47	J,K,M	330	17.0	19.0	11.0	15.0	0.6	UL,cUL,ENEC
MEX474□330V15B	474	0.47	J,K,M	330	17.0	15.5	7.5	15.0	0.6	UL,cUL,ENEC
MEX474□330V15C	474	0.47	J,K,M	330	17.0	16.5	9.5	15.0	0.6	UL,cUL,ENEC
MEX474□330V22A	474	0.47	J,K,M	330	26.5	16.5	7.0	22.5	0.8	UL,cUL,ENEC
MEX474□330V22B	474	0.47	J,K,M	330	26.5	17.0	8.5	22.5	0.8	UL,cUL,ENEC
MEX474□330V22C	474	0.47	J,K,M	330	25.0	23.5	14.0	22.5	0.8	UL,cUL,ENEC

Note: 1. □: denotes tolerance code; 2. Contact Meritek for Part Number on options on lead: diameter, length, and/or forming.

EMI Suppression Capacitors X2 Class 330VAC

MEX 330V Series

MERITEK

ELECTRICAL SPECIFICATION – 330VAC

Part Number	Cap Code	Cap	Tol	Volt	W	H	T	P	d	Safety
		(μ F)	(%)	(V _{AC})	(mm)	(mm)	(mm)	(mm)	(mm)	Compliance
MEX474□330V22D	474	0.47	M	330	26.0	21.5	12.0	22.5	0.8	UL,cUL,ENEC
MEX474□330V27A	474	0.47	M	330	31.5	20.0	11.0	27.5	0.8	UL,cUL,ENEC
MEX474□330V27B	474	0.47	J,K,M	330	31.5	16.5	7.5	27.5	0.8	UL,cUL,ENEC
MEX474□330V27C	474	0.47	J,K,M	330	32.0	12.0	22.0	27.5	0.8	UL,cUL,ENEC
MEX474□330V32	474	0.47	J,K,M	330	37.0	24.0	13.5	32.5	0.8	UL,cUL,ENEC
MEX504□330V37	504	0.50	J,K,M	330	41.0	22.0	11.0	37.5	1.0	UL,cUL,ENEC
MEX524□330V22A	524	0.52	J,K,M	330	25.0	19.0	8.5	22.5	0.8	UL,cUL,ENEC
MEX524□330V22B	524	0.52	J,K,M	330	25.0	23.5	14.0	22.5	0.8	UL,cUL,ENEC
MEX564□330V15A	564	0.56	J,K,M	330	17.0	21.0	12.0	15.0	0.6	UL,cUL,ENEC
MEX564□330V15B	564	0.56	J,K,M	330	17.0	19.0	11.0	15.0	0.6	UL,cUL,ENEC
MEX564□330V22A	564	0.56	J,K,M	330	26.5	17.0	8.5	22.5	0.8	UL,cUL,ENEC
MEX564□330V22B	564	0.56	J,K,M	330	25.0	17.0	8.5	22.5	0.8	UL,cUL,ENEC
MEX564□330V22C	564	0.56	M	330	25.0	23.5	14.0	22.5	0.8	UL,cUL,ENEC
MEX564□330V22D	564	0.56	J,K,M	330	25.0	19.0	8.5	22.5	0.8	UL,cUL,ENEC
MEX564□330V22E	564	0.56	J,K,M	330	26.0	25.0	15.0	22.5	0.8	UL,cUL,ENEC
MEX564□330V27A	564	0.56	J,K,M	330	31.5	20.0	11.0	27.5	0.8	UL,cUL,ENEC
MEX564□330V27B	564	0.56	J,K,M	330	31.5	22.5	13.0	27.5	0.8	UL,cUL,ENEC
MEX564□330V32	564	0.56	J,K,M	330	37.0	24.0	13.5	32.5	0.8	UL,cUL,ENEC
MEX604□330V27A	604	0.60	J,K,M	330	31.5	20.0	11.0	27.5	0.8	UL,cUL,ENEC
MEX604□330V27B	604	0.60	J,K,M	330	31.5	25.0	14.0	27.5	0.8	UL,cUL,ENEC
MEX684□330V15A	684	0.68	J,K,M	330	17.0	21.0	12.0	15.0	0.6	UL,cUL,ENEC
MEX684□330V15B	684	0.68	J,K,M	330	17.0	16.5	9.5	15.0	0.6	UL,cUL,ENEC
MEX684□330V15C	684	0.68	J,K,M	330	17.0	19.0	11.0	15.0	0.6	UL,cUL,ENEC
MEX684□330V22A	684	0.68	J,K,M	330	25.0	17.0	8.5	22.5	0.8	UL,cUL,ENEC
MEX684□330V22B	684	0.68	J,K,M	330	26.5	19.0	10.0	22.5	0.8	UL,cUL,ENEC
MEX684□330V22C	684	0.68	M	330	26.0	25.0	15.0	22.5	0.8	UL,cUL,ENEC
MEX684□330V27A	684	0.68	M	330	31.5	22.5	13.0	27.5	0.8	UL,cUL,ENEC
MEX684□330V27B	684	0.68	J,K,M	330	31.5	20.0	11.0	27.5	0.8	UL,cUL,ENEC
MEX684□330V27C	684	0.68	J,K,M	330	31.5	25.0	14.0	27.5	0.8	UL,cUL,ENEC
MEX684□330V27D	684	0.68	J,K,M	330	32.0	16.0	22.0	27.5	0.8	UL,cUL,ENEC
MEX684□330V32	684	0.68	J,K,M	330	37.0	24.0	13.5	32.5	0.8	UL,cUL,ENEC
MEX824□330V15	824	0.82	J,K,M	330	17.0	19.0	11.0	15.0	0.6	UL,cUL,ENEC
MEX824□330V22	824	0.82	J,K,M	330	26.0	20.0	11.0	22.5	0.8	UL,cUL,ENEC
MEX824□330V27A	824	0.82	J,K,M	330	31.5	20.0	11.0	27.5	0.8	UL,cUL,ENEC
MEX824□330V27B	824	0.82	J,K,M	330	32.0	28.0	14.0	27.5	0.8	UL,cUL,ENEC

Note: 1. □: denotes tolerance code; 2. Contact Meritek for Part Number on options on lead: diameter, length, and/or forming.

EMI Suppression Capacitors X2 Class 330VAC

MEX 330V Series

MERITEK

ELECTRICAL SPECIFICATION – 330VAC

Part Number	Cap Code	Cap	Tol	Volt	W	H	T	P	d	Safety
		(μ F)	(%)	(V _{AC})	(mm)	(mm)	(mm)	(mm)	(mm)	Compliance
MEX824□330V27C	824	0.82	M	330	31.5	25.0	14.0	27.5	0.8	UL,cUL,ENEC
MEX824□330V32	824	0.82	M	330	37.0	24.0	13.5	32.5	0.8	UL,cUL,ENEC
MEX824□330V37A	824	0.82	M	330	41.0	22.0	11.0	37.5	1.0	UL,cUL,ENEC
MEX824□330V37B	824	0.82	J,K,M	330	41.0	26.0	12.0	37.5	1.0	UL,cUL,ENEC
MEX105□330V15	105	1.0	J,K,M	330	17.0	19.0	11.0	15.0	0.6	UL,cUL,ENEC
MEX105□330V22A	105	1.0	J,K,M	330	26.5	19.0	10.0	22.5	0.8	UL,cUL,ENEC
MEX105□330V22B	105	1.0	J,K,M	330	26.0	21.5	12.0	22.5	0.8	UL,cUL,ENEC
MEX105□330V27A	105	1.0	J,K,M	330	30.0	21.0	11.5	27.5	0.8	UL,cUL,ENEC
MEX105□330V27B	105	1.0	J,K,M	330	31.5	22.5	13.0	27.5	0.8	UL,cUL,ENEC
MEX105□330V27C	105	1.0	J,K,M	330	32.0	18.5	31.0	27.5	0.8	UL,cUL,ENEC
MEX105□330V27D	105	1.0	J,K,M	330	32.0	28.0	18.0	27.5	0.8	UL,cUL,ENEC
MEX105□330V27E	105	1.0	M	330	32.0	16.0	27.5	27.5	0.8	UL,cUL,ENEC
MEX105□330V32A	105	1.0	M	330	37.0	26.5	16.0	32.5	0.8	UL,cUL,ENEC
MEX105□330V32B	105	1.0	J,K,M	330	37.0	24.0	13.5	32.5	0.8	UL,cUL,ENEC
MEX105□330V32C	105	1.0	J,K,M	330	37.0	28.5	18.0	32.5	0.8	UL,cUL,ENEC
MEX105□330V37A	105	1.0	J,K,M	330	41.0	26.0	12.0	37.5	1.0	UL,cUL,ENEC
MEX105□330V37B	105	1.0	J,K,M	330	42.0	15.0	24.0	37.5	1.0	UL,cUL,ENEC
MEX125□330V27A	125	1.2	J,K,M	330	32.0	29.0	19.0	27.5	0.8	UL,cUL,ENEC
MEX125□330V27B	125	1.2	J,K,M	330	31.5	22.5	13.0	27.5	0.8	UL,cUL,ENEC
MEX125□330V27C	125	1.2	M	330	32.0	28.0	18.0	27.5	0.8	UL,cUL,ENEC
MEX125□330V32A	125	1.2	M	330	37.0	28.5	18.0	32.5	0.8	UL,cUL,ENEC
MEX125□330V32B	125	1.2	J,K,M	330	37.0	24.0	13.5	32.5	0.8	UL,cUL,ENEC
MEX125□330V32C	125	1.2	J,K,M	330	35.5	31.0	20.0	32.5	0.8	UL,cUL,ENEC
MEX125□330V37A	125	1.2	J,K,M	330	41.0	26.0	15.0	37.5	1.0	UL,cUL,ENEC
MEX125□330V37B	125	1.2	J,K,M	330	41.0	28.0	14.0	37.5	1.0	UL,cUL,ENEC
MEX155□330V22	155	1.5	J,K,M	330	25.0	23.5	14.0	22.5	0.8	UL,cUL,ENEC
MEX155□330V27A	155	1.5	J,K,M	330	31.5	22.5	13.0	27.5	0.8	UL,cUL,ENEC
MEX155□330V27B	155	1.5	M	330	32.0	29.0	19.0	27.5	0.8	UL,cUL,ENEC
MEX155□330V27C	155	1.5	M	330	32.0	18.5	31.0	27.5	0.8	UL,cUL,ENEC
MEX155□330V27D	155	1.5	J,K,M	330	31.5	25.0	14.0	27.5	0.8	UL,cUL,ENEC
MEX155□330V27E	155	1.5	J,K,M	330	31.0	31.0	22.0	27.5	0.8	UL,cUL,ENEC
MEX155□330V32A	155	1.5	M	330	35.5	31.0	20.0	32.5	0.8	UL,cUL,ENEC
MEX155□330V32B	155	1.5	J,K,M	330	36.0	24.0	13.5	32.5	0.8	UL,cUL,ENEC
MEX155□330V32C	155	1.5	J,K,M	330	37.0	34.0	22.0	32.5	0.8	UL,cUL,ENEC
MEX155□330V37A	155	1.5	M	330	41.0	28.0	14.0	37.5	1.0	UL,cUL,ENEC

Note: 1. □: denotes tolerance code; 2. Contact Meritek for Part Number on options on lead: diameter, length, and/or forming.

EMI Suppression Capacitors X2 Class 330VAC

MEX 330V Series

MERITEK

V ELECTRICAL SPECIFICATION – 330VAC

Part Number	Cap Code	Cap	Tol	Volt	W	H	T	P	d	Safety
		(μ F)	(%)	(V _{AC})	(mm)	(mm)	(mm)	(mm)	(mm)	Compliance
MEX155□330V37B	155	1.5	M	330	41.0	26.0	15.0	37.5	1.0	UL,cUL,ENEC
MEX155□330V37C	155	1.5	J,K,M	330	41.0	30.0	16.0	37.5	1.0	UL,cUL,ENEC
MEX155□330V37D	155	1.5	J,K,M	330	42.0	19.0	24.0	37.5	1.0	UL,cUL,ENEC
MEX185□330V27A	185	1.8	J,K,M	330	31.5	25.0	14.0	27.5	0.8	UL,cUL,ENEC
MEX185□330V27B	185	1.8	J,K,M	330	32.0	37.0	22.0	27.5	0.8	UL,cUL,ENEC
MEX185□330V32A	185	1.8	J,K,M	330	37.0	26.5	16.0	32.5	0.8	UL,cUL,ENEC
MEX185□330V32B	185	1.8	J,K,M	330	37.0	34.0	22.0	32.5	0.8	UL,cUL,ENEC
MEX185□330V37A	185	1.8	M	330	41.0	30.0	16.0	37.5	1.0	UL,cUL,ENEC
MEX185□330V37B	185	1.8	J,K,M	330	41.0	26.0	12.0	37.5	1.0	UL,cUL,ENEC
MEX185□330V37C	185	1.8	J,K,M	330	41.0	32.0	17.0	37.5	1.0	UL,cUL,ENEC
MEX205□330V32A	205	2.0	J,K,M	330	37.0	26.5	16.0	32.5	0.8	UL,cUL,ENEC
MEX205□330V32B	205	2.0	J,K,M	330	37.0	34.0	22.0	32.5	0.8	UL,cUL,ENEC
MEX225□330V22	225	2.2	J,K,M	330	26.0	25.0	15.0	22.5	0.8	UL,cUL,ENEC
MEX225□330V27A	225	2.2	J,K,M	330	31.5	25.0	14.0	27.5	0.8	UL,cUL,ENEC
MEX225□330V27B	225	2.2	M	330	32.0	37.0	22.0	27.5	0.8	UL,cUL,ENEC
MEX225□330V27C	225	2.2	J,K,M	330	32.0	28.0	18.0	27.5	0.8	UL,cUL,ENEC
MEX225□330V32A	225	2.2	M	330	37.0	34.0	22.0	32.5	0.8	UL,cUL,ENEC
MEX225□330V32B	225	2.2	J,K,M	330	37.0	26.5	16.0	32.5	0.8	UL,cUL,ENEC
MEX225□330V37A	225	2.2	M	330	41.0	32.0	17.0	37.5	1.0	UL,cUL,ENEC
MEX225□330V37B	225	2.2	J,K,M	330	41.0	33.5	19.5	37.5	1.0	UL,cUL,ENEC
MEX225□330V37C	225	2.2	J,K,M	330	41.0	26.0	12.0	37.5	1.0	UL,cUL,ENEC
MEX225□330V37D	225	2.2	J,K,M	330	41.0	28.0	14.0	37.5	1.0	UL,cUL,ENEC
MEX275□330V27	275	2.7	J,K,M	330	31.0	31.0	22.0	27.5	0.8	UL,cUL,ENEC
MEX275□330V32	275	2.7	J,K,M	330	37.0	28.5	18.0	32.5	0.8	UL,cUL,ENEC
MEX275□330V37A	275	2.7	J,K,M	330	41.0	37.0	22.0	37.5	1.0	UL,cUL,ENEC
MEX275□330V37B	275	2.7	J,K,M	330	41.0	28.0	14.0	37.5	1.0	UL,cUL,ENEC
MEX335□330V27	335	3.3	J,K,M	330	32.0	28.0	18.0	27.5	0.8	UL,cUL,ENEC
MEX335□330V32	335	3.3	J,K,M	330	35.5	31.0	20.0	32.5	0.8	UL,cUL,ENEC
MEX335□330V37A	335	3.3	J,K,M	330	41.5	41.0	27.5	37.5	1.0	UL,cUL,ENEC
MEX335□330V37B	335	3.3	J,K,M	330	41.0	30.0	16.0	37.5	1.0	UL,cUL,ENEC
MEX335□330V37C	335	3.3	M	330	41.0	37.0	22.0	37.5	1.0	UL,cUL,ENEC
MEX335□330V47	335	3.3	J,K,M	330	51.0	27.5	17.5	47.5	1.0	UL,cUL,ENEC
MEX395□330V37A	395	3.9	J,K,M	330	41.0	43.0	28.0	37.5	1.0	UL,cUL,ENEC
MEX395□330V37B	395	3.9	J,K,M	330	41.0	32.0	17.0	37.5	1.0	UL,cUL,ENEC
MEX395□330V47	395	3.9	J,K,M	330	51.0	27.5	17.5	47.5	1.0	UL,cUL,ENEC

Note: 1. □: denotes tolerance code; 2. Contact Meritek for Part Number on options on lead: diameter, length, and/or forming.

EMI Suppression Capacitors X2 Class 330VAC

MEX 330V Series

MERITEK

ELECTRICAL SPECIFICATION – 330VAC

Part Number	Cap Code	Cap	Tol	Volt	W	H	T	P	d	Safety
		(μ F)	(%)	(V _{AC})	(mm)	(mm)	(mm)	(mm)	(mm)	Compliance
MEX445□330V27	445	4.4	J,K,M	330	31.0	31.0	22.0	27.5	0.8	UL,cUL,ENEC
MEX445□330V32	445	4.4	J,K,M	330	37.0	34.0	22.0	32.5	0.8	UL,cUL,ENEC
MEX445□330V37A	445	4.4	J,K,M	330	41.0	33.5	19.5	37.5	1.0	UL,cUL,ENEC
MEX445□330V37B	445	4.4	J,K,M	330	41.0	43.0	28.0	37.5	1.0	UL,cUL,ENEC
MEX445□330V47A	445	4.4	J,K,M	330	51.0	30.5	20.0	47.5	1.0	UL,cUL,ENEC
MEX445□330V47B	445	4.4	J,K,M	330	51.0	43.5	29.0	47.5	1.0	UL,cUL,ENEC
MEX445□330V52	445	4.4	J,K,M	330	57.0	38.0	24.0	52.5	1.0	UL,cUL,ENEC
MEX475□330V27	475	4.7	J,K,M	330	31.0	31.0	22.0	27.5	0.8	UL,cUL,ENEC
MEX475□330V32	475	4.7	J,K,M	330	37.0	34.0	22.0	32.5	0.8	UL,cUL,ENEC
MEX475□330V37A	475	4.7	M	330	41.0	43.0	28.0	37.5	1.0	UL,cUL,ENEC
MEX475□330V37B	475	4.7	J,K,M	330	42.0	45.0	30.0	37.5	1.0	UL,cUL,ENEC
MEX475□330V37C	475	4.7	J,K,M	330	41.0	33.5	19.5	37.5	1.0	UL,cUL,ENEC
MEX475□330V47A	475	4.7	J,K,M	330	51.0	30.5	20.0	47.5	1.0	UL,cUL,ENEC
MEX475□330V47B	475	4.7	J,K,M	330	51.0	43.5	29.0	47.5	1.0	UL,cUL,ENEC
MEX475□330V52	475	4.7	J,K,M	330	57.0	38.0	24.0	52.5	1.0	UL,cUL,ENEC
MEX565□330V27	565	5.6	J,K,M	330	31.0	31.0	22.0	27.5	0.8	UL,cUL,ENEC
MEX565□330V37	565	5.6	J,K,M	330	41.0	37.0	22.0	37.5	1.0	UL,cUL,ENEC
MEX565□330V47A	565	5.6	J,K,M	330	51.0	34.0	22.0	47.5	1.0	UL,cUL,ENEC
MEX565□330V47B	565	5.6	M	330	51.0	43.5	29.0	47.5	1.0	UL,cUL,ENEC
MEX565□330V52A	565	5.6	M	330	57.0	38.0	24.0	52.5	1.0	UL,cUL,ENEC
MEX565□330V52B	565	5.6	J,K,M	330	57.0	45.0	30.0	52.5	1.0	UL,cUL,ENEC
MEX685□330V37	685	6.8	J,K,M	330	41.0	37.0	22.0	37.5	1.0	UL,cUL,ENEC
MEX685□330V47A	685	6.8	J,K,M	330	51.0	34.0	22.0	47.5	1.0	UL,cUL,ENEC
MEX685□330V47B	685	6.8	J,K,M	330	51.0	49.5	35.0	47.5	1.0	UL,cUL,ENEC
MEX685□330V52A	685	6.8	J,K,M	330	57.0	50.0	35.0	52.5	1.0	UL,cUL,ENEC
MEX685□330V52B	685	6.8	M	330	57.0	45.0	30.0	52.5	1.0	UL,cUL,ENEC
MEX685□330V52C	685	6.8	M	330	57.0	30.0	44.0	52.5	1.0	UL,cUL,ENEC
MEX825□330V37	825	8.2	J,K,M	330	41.5	41.0	27.5	37.5	1.0	UL,cUL,ENEC
MEX825□330V47A	825	8.2	J,K,M	330	51.0	43.5	29.0	47.5	1.0	UL,cUL,ENEC
MEX825□330V47B	825	8.2	M	330	51.0	49.5	35.0	47.5	1.0	UL,cUL,ENEC
MEX825□330V52	825	8.2	J,K,M	330	57.0	50.0	35.0	52.5	1.0	UL,cUL,ENEC
MEX106□330V37	106	10.0	J,K,M	330	41.0	43.0	28.0	37.5	1.0	UL,cUL,ENEC
MEX106□330V47A	106	10.0	J,K,M	330	51.0	49.5	35.0	47.5	1.0	UL,cUL,ENEC
MEX106□330V47B	106	10.0	M	330	51.0	43.5	29.0	47.5	1.0	UL,cUL,ENEC
MEX106□330V52A	106	10.0	J,K,M	330	57.0	55.0	45.0	52.5	1.0	UL,cUL,ENEC

Note: 1. □: denotes tolerance code; 2. Contact Meritek for Part Number on options on lead: diameter, length, and/or forming.

EMI Suppression Capacitors X2 Class 330VAC

MEX 330V Series

MERITEK

ELECTRICAL SPECIFICATION – 330VAC

Part Number	Cap Code	Cap	Tol	Volt	W	H	T	P	d	Safety
		(μ F)	(%)	(V _{AC})	(mm)	(mm)	(mm)	(mm)	(mm)	Compliance
MEX106□330V52B	106	10.0	M	330	57.0	50.0	35.0	52.5	1.0	UL,cUL,ENEC
MEX126□330V37A	126	12.0	J,K,M	330	41.0	37.0	22.0	37.5	1.0	UL,cUL,ENEC
MEX126□330V37B	126	12.0	J,K,M	330	41.5	41.0	27.5	37.5	1.0	UL,cUL,ENEC
MEX126□330V37C	126	12.0	J,K,M	330	41.5	30.5	20.0	37.5	1.0	UL,cUL,ENEC
MEX126□330V47A	126	12.0	J,K,M	330	51.0	34.0	22.0	47.5	1.0	UL,cUL,ENEC
MEX126□330V47B	126	12.0	J,K,M	330	51.0	43.5	29.0	47.5	1.0	UL,cUL,ENEC
MEX156□330V37A	156	15.0	J,K,M	330	41.0	37.0	22.0	37.5	1.0	UL,cUL,ENEC
MEX156□330V37B	156	15.0	J,K,M	330	41.0	43.0	28.0	37.5	1.0	UL,cUL,ENEC
MEX156□330V47A	156	15.0	J,K,M	330	51.0	34.0	22.0	47.5	1.0	UL,cUL,ENEC
MEX156□330V47B	156	15.0	J,K,M	330	51.0	43.5	29.0	47.5	1.0	UL,cUL,ENEC
MEX156□330V47C	156	15.0	J,K,M	330	51.0	49.5	35.0	47.5	1.0	UL,cUL,ENEC
MEX186□330V37A	186	18.0	J,K,M	330	41.5	41.0	27.5	37.5	1.0	UL,cUL,ENEC
MEX186□330V37B	186	18.0	J,K,M	330	42.0	45.0	30.0	37.5	1.0	UL,cUL,ENEC
MEX186□330V47A	186	18.0	J,K,M	330	51.0	35.0	24.0	47.5	1.0	UL,cUL,ENEC
MEX186□330V47B	186	18.0	J,K,M	330	51.0	43.5	29.0	47.5	1.0	UL,cUL,ENEC
MEX186□330V47C	186	18.0	J,K,M	330	51.0	49.5	35.0	47.5	1.0	UL,cUL,ENEC
MEX206□330V37A	206	20.0	M	330	42.0	45.0	30.0	37.5	1.0	UL,cUL,ENEC
MEX206□330V37B	206	20.0	J,K,M	330	41.5	41.0	27.5	37.5	1.0	UL,cUL,ENEC
MEX206□330V47A	206	20.0	J,K,M	330	51.0	35.0	24.0	47.5	1.0	UL,cUL,ENEC
MEX206□330V47B	206	20.0	J,K,M	330	51.0	43.5	29.0	47.5	1.0	UL,cUL,ENEC
MEX206□330V47C	206	20.0	J,K,M	330	51.0	49.5	35.0	47.5	1.0	UL,cUL,ENEC
MEX206□330V51A	206	20.0	J,K,M	330	57.0	38.0	24.0	51.5	1.0	UL,cUL,ENEC
MEX206□330V51B	206	20.0	J,K,M	330	57.0	45.0	30.0	51.5	1.0	UL,cUL,ENEC
MEX226□330V37A	226	22.0	M	330	42.0	45.0	30.0	37.5	1.0	UL,cUL,ENEC
MEX226□330V37B	226	22.0	J,K,M	330	41.0	43.0	28.0	37.5	1.0	UL,cUL,ENEC
MEX226□330V47A	226	22.0	M	330	51.0	35.0	24.0	47.5	1.0	UL,cUL,ENEC
MEX226□330V47B	226	22.0	J,K,M	330	51.0	43.5	29.0	47.5	1.0	UL,cUL,ENEC
MEX226□330V47C	226	22.0	J,K,M	330	51.0	49.5	35.0	47.5	1.0	UL,cUL,ENEC
MEX226□330V51A	226	22.0	J,K,M	330	57.0	38.0	24.0	51.5	1.0	UL,cUL,ENEC
MEX226□330V51B	226	22.0	J,K,M	330	57.0	45.0	30.0	51.5	1.0	UL,cUL,ENEC
MEX256□330V37	256	25.0	J,K,M	330	42.0	45.0	30.0	37.5	1.0	UL,cUL,ENEC
MEX256□330V47A	256	25.0	J,K,M	330	51.0	43.5	29.0	47.5	1.0	UL,cUL,ENEC
MEX256□330V47B	256	25.0	J,K,M	330	51.0	49.5	35.0	47.5	1.0	UL,cUL,ENEC
MEX256□330V51A	256	25.0	J,K,M	330	57.0	38.0	24.0	51.5	1.0	UL,cUL,ENEC
MEX256□330V51B	256	25.0	J,K,M	330	57.0	45.0	30.0	51.5	1.0	UL,cUL,ENEC

Note: 1. □: denotes tolerance code; 2. Contact Meritek for Part Number on options on lead: diameter, length, and/or forming.

EMI Suppression Capacitors X2 Class 330VAC

MEX 330V Series

MERITEK

ELECTRICAL SPECIFICATION – 330VAC

Part Number	Cap Code	Cap	Tol	Volt	W	H	T	P	d	Safety
		(μ F)	(%)	(V _{AC})	(mm)	(mm)	(mm)	(mm)	(mm)	Compliance
MEX306□330V37	306	30.0	J,K,M	330	42.0	45.0	30.0	37.5	1.0	UL,cUL,ENEC
MEX306□330V47A	306	30.0	J,K,M	330	51.0	43.5	29.0	47.5	1.0	UL,cUL,ENEC
MEX306□330V47B	306	30.0	J,K,M	330	51.0	49.5	35.0	47.5	1.0	UL,cUL,ENEC
MEX306□330V51A	306	30.0	M	330	57.0	38.0	24.0	51.5	1.0	UL,cUL,ENEC
MEX306□330V51B	306	30.0	J,K,M	330	57.0	45.0	30.0	51.5	1.0	UL,cUL,ENEC
MEX306□330V51C	306	30.0	J,K,M	330	58.0	30.0	44.0	51.5	1.0	UL,cUL,ENEC
MEX306□330V51D	306	30.0	J,K,M	330	58.0	50.0	35.0	51.5	1.0	UL,cUL,ENEC
MEX306□330V51E	306	30.0	J,K,M	330	58.0	55.0	45.0	51.5	1.0	UL,cUL,ENEC
MEX356□330V47	356	35.0	J,K,M	330	51.0	49.5	35.0	47.5	1.0	UL,cUL,ENEC
MEX356□330V51A	356	35.0	J,K,M	330	57.0	45.0	30.0	51.5	1.0	UL,cUL,ENEC
MEX356□330V51B	356	35.0	J,K,M	330	57.0	30.0	44.0	51.5	1.0	UL,cUL,ENEC
MEX356□330V51C	356	35.0	J,K,M	330	57.0	50.0	35.0	51.5	1.0	UL,cUL,ENEC
MEX356□330V51D	356	35.0	J,K,M	330	57.0	55.0	45.0	51.5	1.0	UL,cUL,ENEC
MEX406□330V47	406	40.0	J,K,M	330	51.0	49.5	35.0	47.5	1.0	UL,cUL,ENEC
MEX406□330V51A	406	40.0	M	330	57.0	45.0	30.0	51.5	1.0	UL,cUL,ENEC
MEX406□330V51B	406	40.0	M	330	57.0	30.0	44.0	51.5	1.0	UL,cUL,ENEC
MEX406□330V51C	406	40.0	J,K,M	330	58.0	50.0	35.0	51.5	1.0	UL,cUL,ENEC
MEX406□330V51D	406	40.0	J,K,M	330	58.0	55.0	45.0	51.5	1.0	UL,cUL,ENEC
MEX456□330V47	456	45.0	M	330	51.0	49.5	35.0	47.5	1.0	UL,cUL,ENEC
MEX456□330V51A	456	45.0	J,K,M	330	57.0	50.0	35.0	51.5	1.0	UL,cUL,ENEC
MEX456□330V51B	456	45.0	J,K,M	330	57.0	55.0	45.0	51.5	1.0	UL,cUL,ENEC
MEX506□330V47	506	50.0	M	330	51.0	49.5	35.0	47.5	1.0	UL,cUL,ENEC
MEX506□330V51A	506	50.0	M	330	58.0	50.0	35.0	51.5	1.0	UL,cUL,ENEC
MEX506□330V51B	506	50.0	J,K,M	330	58.0	55.0	45.0	51.5	1.0	UL,cUL,ENEC
MEX506□330V51C	506	50.0	J,K,M	330	58.0	70.0	55.0	51.5	1.0	UL,cUL,ENEC
MEX556□330V51	556	55.0	J,K,M	330	58.0	70.0	55.0	51.5	1.0	UL,cUL,ENEC

Note: 1. □: denotes tolerance code; 2. Contact Meritek for Part Number on options on lead: diameter, length, and/or forming.

EMI Suppression Capacitors X2 Class 330VAC

MEX 330V Series

MERITEK

RELIABILTY AND TEST CONDITIONS

Item	Test Condition	Requirement																	
Capacitance	Measuring Frequency: $\pm 2\%$; Measuring Voltage: $\leq 1V_{rms}$.	Within the tolerance specified, at $+20\pm 5^{\circ}C$																	
Withstand Voltage - Between Terminals	Apply 4.3 times of rated voltage for 60s	Within specified limits																	
Withstand Voltage - Between Terminals & Enclosure	Apply 2 times of rated voltage $1.5KV_{AC}$ for 2~5s; Min. $2KV_{AC}$	Within specified limits																	
Dissipation Factor	Measuring Frequency: $\pm 2\%$ Measuring Voltage: $\leq 1V_{rms}$.	D.F. : $\leq 0.001(0.1\%)$ at 1KHz																	
Insulation resistance	Measured at 100V, 60 ± 5 Sec	$Cr \leq 0.33\mu F$ IR $\geq 15,000M\Omega$ $Cr > 0.33\mu F$ IR $\geq 5,000M\Omega * \mu F/C$																	
Solderability	Soldering temperature: $+235\pm 5^{\circ}C$ Immersion duration: 2 ± 0.5 sec	More than 90% of circumferential surface of lead wire shall be covered with new solder																	
Tensile Terminal Strength	Apply 1.0Kg (10N) for 10 ± 1 sec to the terminal in the axial direction and acting in a direction away from the body.	Shall be no abnormality																	
Damp Heat	Temperature: $+40^{\circ}C \pm 2^{\circ}C$, Relative Humidity: 90%~95% Time: 56days; After test, let rest for 1.5 ± 0.5 hr at ordinary condition before making measurements.	Appearance : No Visible Damage Withstand Voltage: Within specified limits $\Delta C/C : \leq \pm 5\%$ of the value before test DF: $\leq 0.002 (0.2\%)$ Max at 1KHz IR: $\geq 50\%$ of the rated value																	
Dry Heat Resistance	Temperature: $110^{\circ}C \pm 2^{\circ}C$, Times: 16 $+1/-0$ Hrs																		
Cold Resistance	Temperature: $-40\pm 3^{\circ}C$, Times: 2 ± 1 Hrs																		
Temperature Cycle	Test Temperature Cycle: Total 5 cycles. Each cycle includes <table border="1"> <thead> <tr> <th>Cycle</th> <th>Temperature</th> <th>Time</th> </tr> </thead> <tbody> <tr> <td>1</td> <td>$+20\pm 2^{\circ}C$</td> <td>3 min</td> </tr> <tr> <td>2</td> <td>$-40\pm 3^{\circ}C$</td> <td>30min</td> </tr> <tr> <td>3</td> <td>$+20\pm 2^{\circ}C$</td> <td>3 min</td> </tr> <tr> <td>4</td> <td>$+110\pm 2^{\circ}C$</td> <td>30min</td> </tr> <tr> <td>5</td> <td>$+20\pm 2^{\circ}C$</td> <td>3 min</td> </tr> </tbody> </table> After test, let rest for 1.5 ± 0.5 hr at ordinary condition before making measurements.		Cycle	Temperature	Time	1	$+20\pm 2^{\circ}C$	3 min	2	$-40\pm 3^{\circ}C$	30min	3	$+20\pm 2^{\circ}C$	3 min	4	$+110\pm 2^{\circ}C$	30min	5	$+20\pm 2^{\circ}C$
Cycle	Temperature	Time																	
1	$+20\pm 2^{\circ}C$	3 min																	
2	$-40\pm 3^{\circ}C$	30min																	
3	$+20\pm 2^{\circ}C$	3 min																	
4	$+110\pm 2^{\circ}C$	30min																	
5	$+20\pm 2^{\circ}C$	3 min																	
Vibration Resistance	Frequency change: 10~55~10Hz Vibration Distance: 1.5mm Test Direction: X, Y, Z Test Duration: $2+1/-0$ hrs each direction	Appearance : No mechanical Damage Connection: Shall be no short or open																	
Soldering Heat Resistance	Preheat Temperature: $100\sim 120^{\circ}C$ Preheat Duration: 60sec max Temperature increase by $3^{\circ}C/sec$ max Soldering Temperature: $+260\pm 5^{\circ}C$ Immersion Duration: 5 ± 1 sec Immersion Depth: 4 ± 0.8 mm from roots After test, allow it stay alone for 1.5 ± 0.5 hrs at ordinary condition before making measurements	Appearance: No Visible Damage Withstand Voltage: Within specified limits $\Delta C/C : \leq \pm 3\%$ of the value before test DF: $\leq 0.002 (0.2\%)$ Max at 1KHz IR: $\geq 50\%$ of the rated value																	

EMI Suppression Capacitors X2 Class 330VAC

MEX 330V Series

MERITEK

RELIABILTY AND TEST CONDITIONS

Item	Test Condition	Requirement
Endurance	Duration: 1,000 hours, Temperature: +110± 2°C Voltage: 1.25 times rated voltage. Once every hour the voltage increased to 1KVrms. For 0.1sec. The test voltage is applied to each capacitor individually through a Resistor of 47Ω±5%.	Appearance : No Visible Damage ΔC/C: ≤ ±10% of the value before test DF: ≤ 0.008 Max at 1KHz; for Cr≤1μF DF: ≤ 0.005 Max at 1KHz; for Cr>1μF IR: ≥ 50% of the rated value
Humidity Resistance	Test Temperature: -40±2°C Test Humidity: 87% to 93% R.H. Test Voltage: rated voltage Test Duration: 500 hours After test, allow it stay alone for 1.5±0.5hrs at ordinary condition before making measurements	Appearance: No Visible Damage Withstand Voltage: Within specified limits ΔC/C: ≤ ±5% of the value before test DF: ≤ 0.002 (0.2%) Max at 1KHz IR: ≥ 50% of the rated value

Notes:

1. Ambient Temp: 15°C to 35°C, Relative Humidity (R.H.): 45% to 75%, Air Pressure: 86kpa to 106kpa
2. Operating Temperature: -40~110°C
3. Storage needs to be kept indoors at -10~+40°C and relative humidity of under 75% without any sudden temperature changes, direct sunlight and corrosive gas around
4. Do not apply and exceeding vibration, shock (dropping) and pressure

*Specifications subject to change without notice.