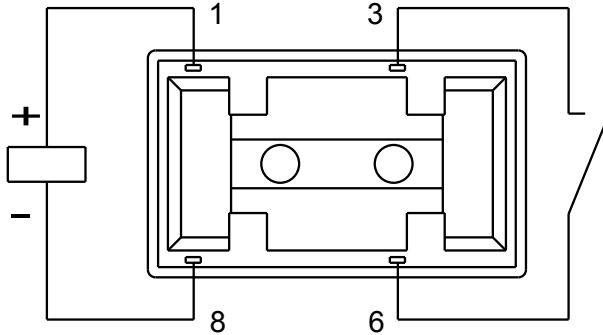
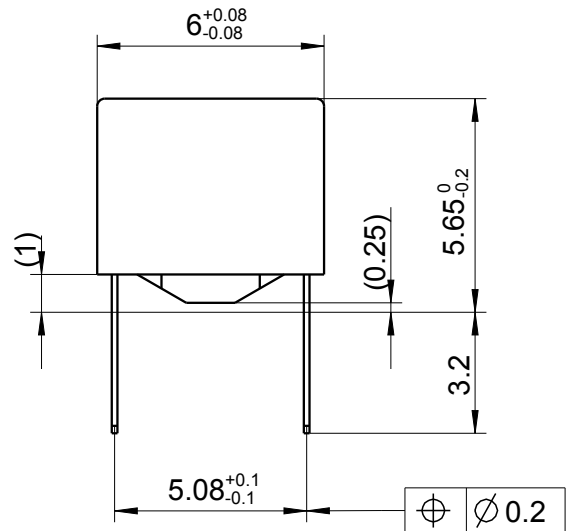
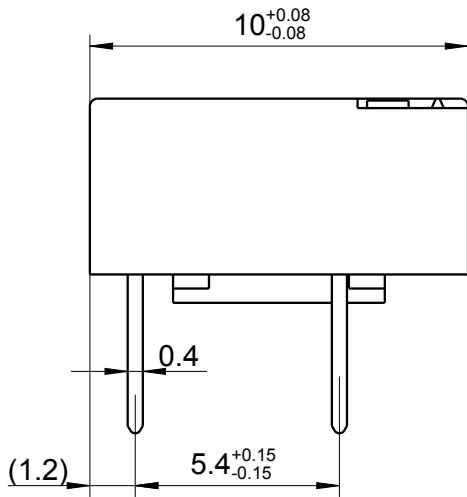


| LOC | DIST | REVISIONS | | | | | |
|-----|------|-----------|-----|-------------------------------------|-----------|-----|------|
| | | P | LTR | DESCRIPTION | DATE | DWN | APVD |
| HJ | - | | A2 | REVISED PER ECO-11-005150 | 25MAR2011 | RK | HMR |
| | | | A3 | UR-marking new | 09DEC2011 | UKo | AK |
| | | | A4 | REVISED PER ECR-13-014508 (TE-Logo) | 16SEP2013 | UKo | AK |
| | | | | | | | |



Relay - bottom view



XX = Relay type
 zz = nominal voltage
 YYWW = Date code

RELEASED FOR PUBLICATION

ALL RIGHTS RESERVED.

THIS DRAWING IS UNPUBLISHED.

© COPYRIGHT 2008

| | | | | | | |
|---|------------------|-----------|---|-------------|-----------|---------------|
| DIMENSIONS: mm | DWN | 18JUN2008 | MATERIAL | - | FINISH | - |
| | UKo 9193 | | | | | |
| TOLERANCES UNLESS OTHERWISE SPECIFIED: DIN 7168-m | CHK | 18JUN2008 | TE Connectivity | | | |
| | HD 9121 | | | | | |
| 0 PLC ± 1 PLC ± 2 PLC ± 3 PLC ± 4 PLC ± ANGLES ± | APVD | 18JUN2008 | NAME IMB-Relay THT (1 Form A) Dimensions | | | |
| | HD 9121 | | | | | |
| | PRODUCT SPEC | - | SIZE | A4 | CAGE CODE | 00779 |
| | APPLICATION SPEC | - | DRAWING NO | C-1462041-1 | | RESTRICTED TO |
| | WEIGHT | - | CUSTOMER DRAWING | | SCALE | 5:1 |
| | | | SHEET | | 1 OF 1 | REV |
| | | | | | | A4 |