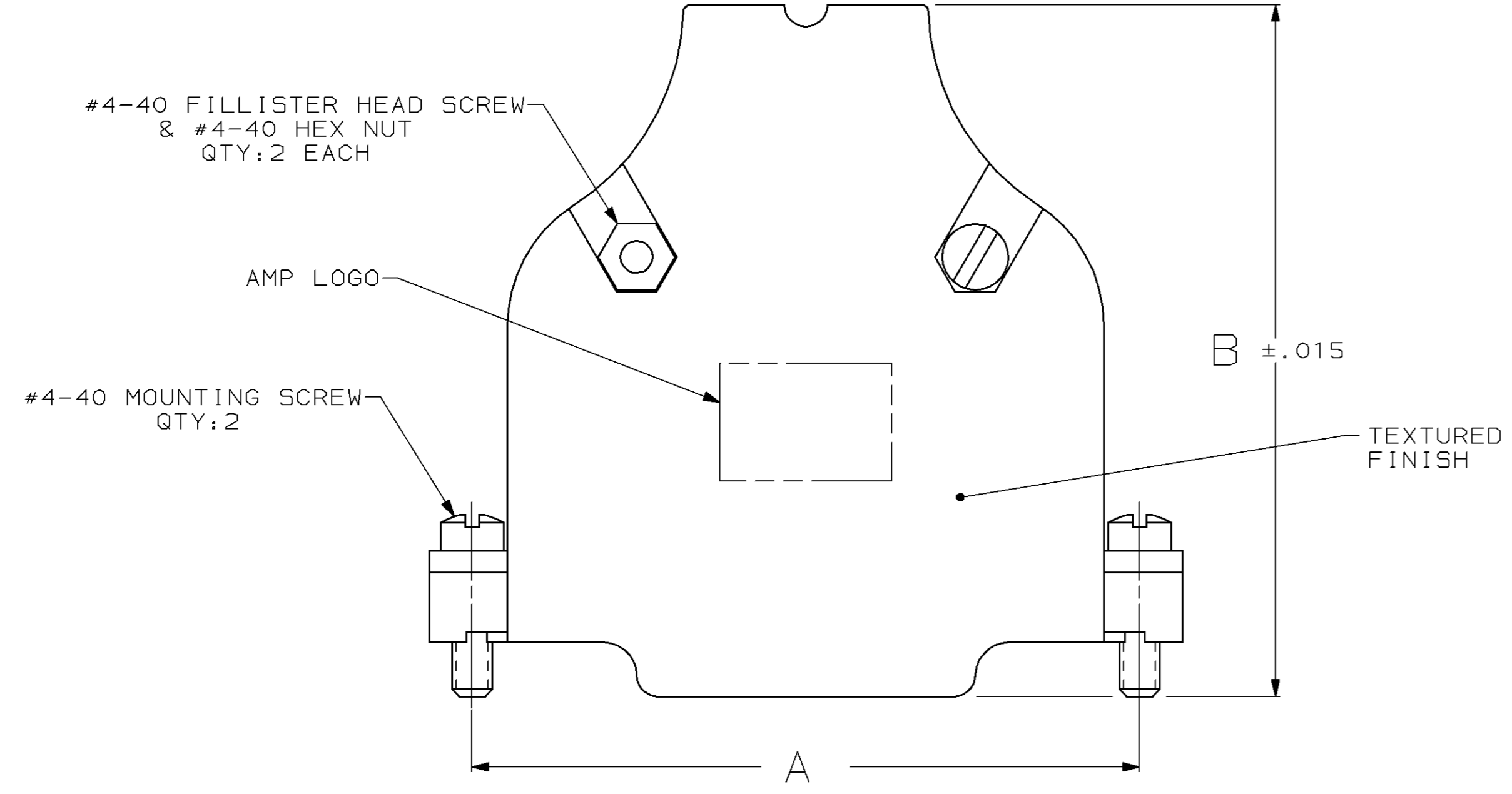
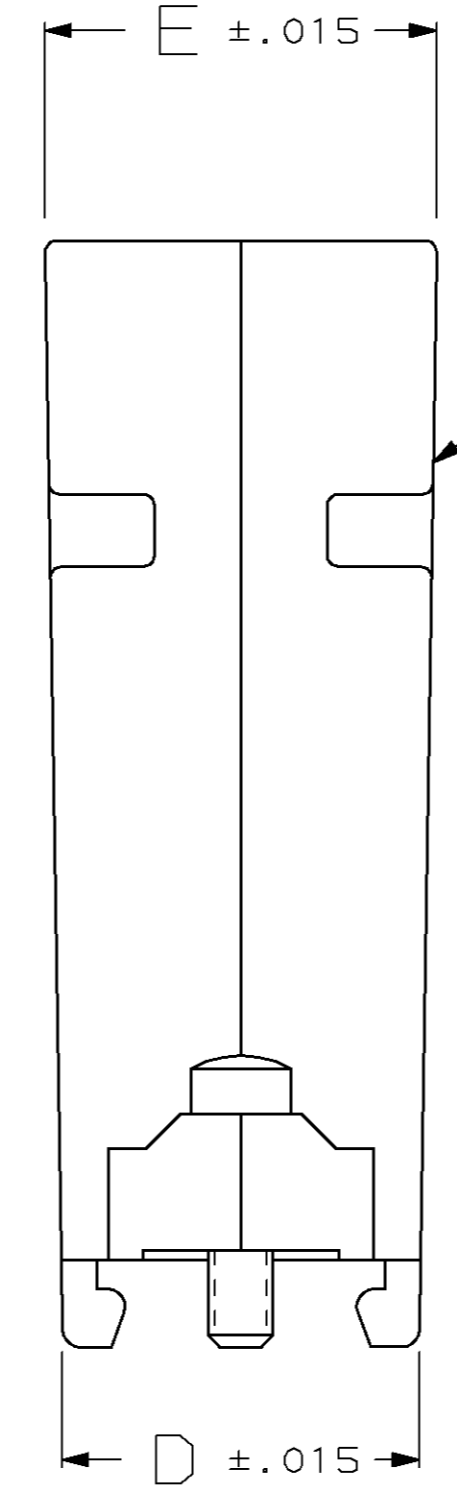
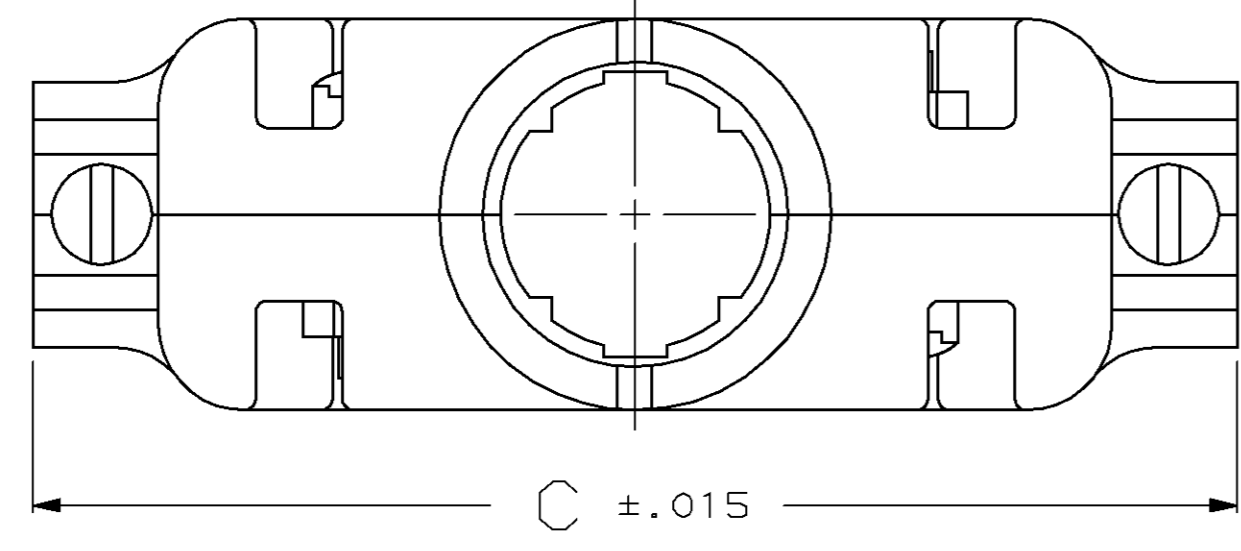
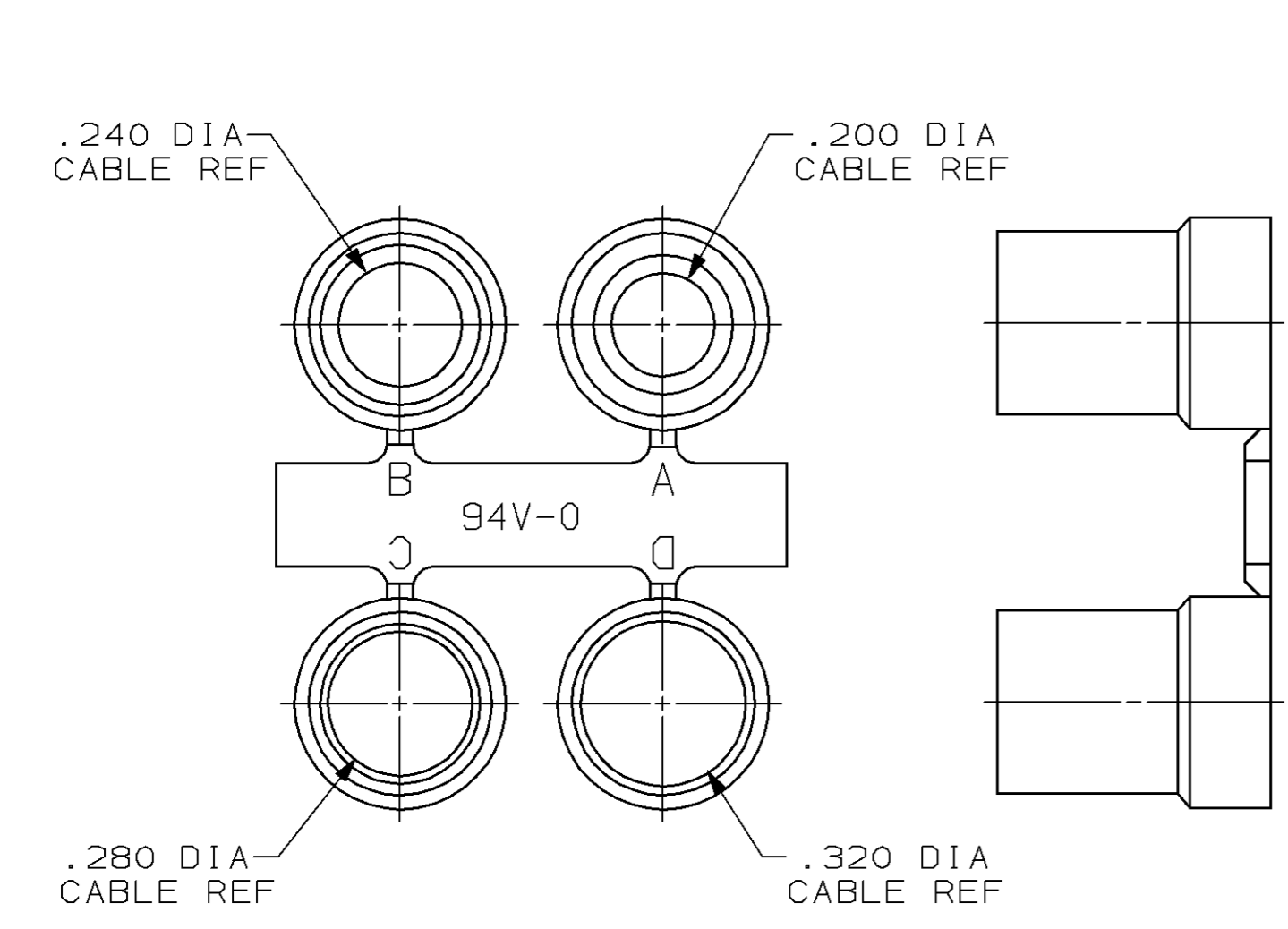


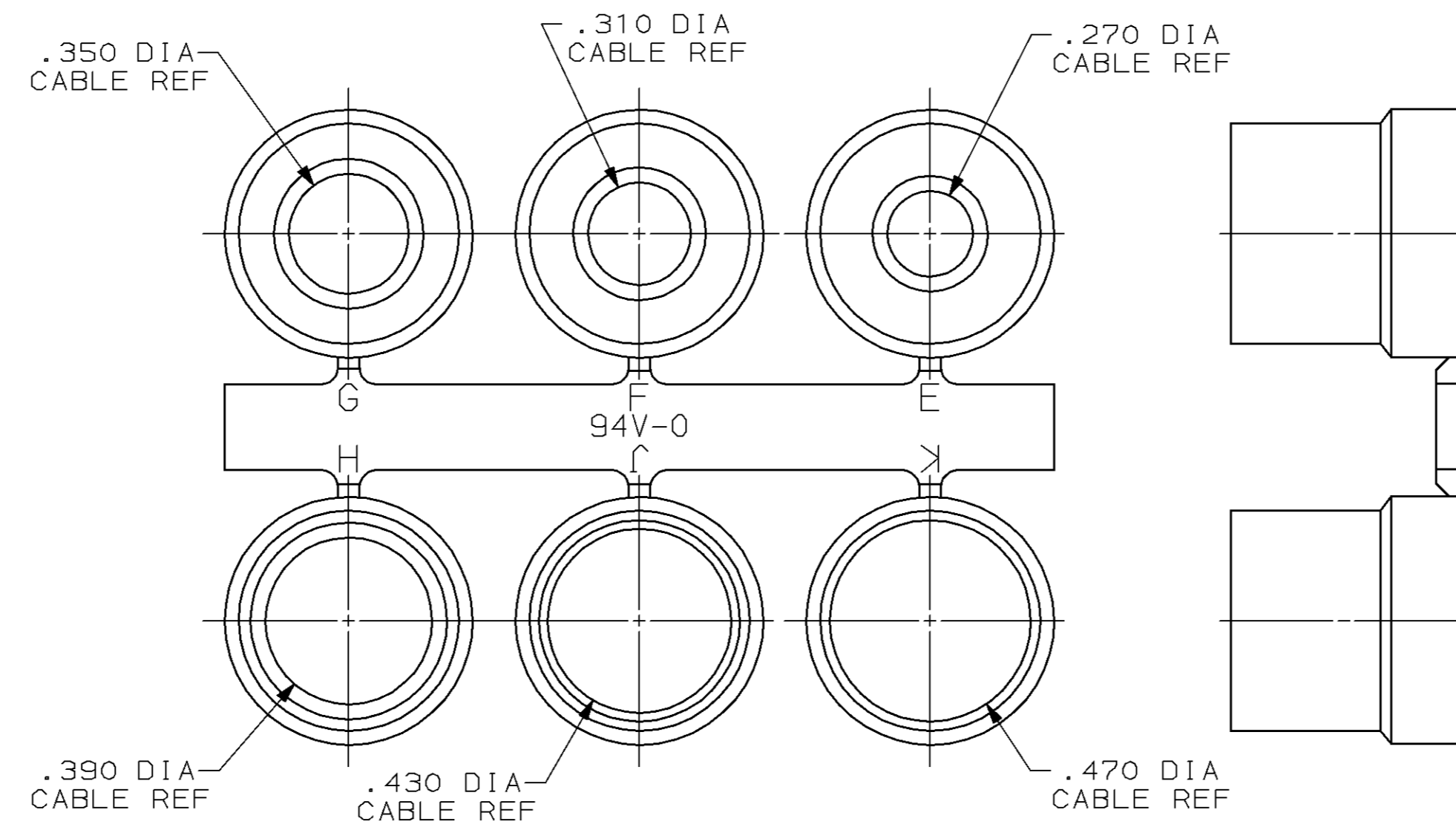
LOC		DIST		REVISIONS				
BD	48	P	F	ZONE	LTR	DESCRIPTION	DATE	APPD
						O RELEASED	-	-
						A REVISED PER ECN-2422	8/24/88	SW
						B REV PER EC 0020-117-93	03/17/93	SB
						B1 ADDED -6, -7, -8 PER NPR 4841	07/08/93	MW
						C REV PER EC 0020-309-95	05/04/95	JS
						D REV PER EC 0020-881-95	25 AUG 95	JS
						E OBSOLETE -6 THRU -8 PER EC 0420-141-96	25 SEPT 87	SB
						F ADDED -9 PER EC 0640-270-98	20 JUL 98	JK



- PARTS PACKAGED UNASSEMBLED AS A UNIT KIT.
 CABLE CLAMP HALVES: ZINC ALLOY, FILLISTER HEAD SCREWS, HEX NUTS & MOUNTING SCREWS: STEEL PER ASTM A108, GROMMETS: FLEXIBLE PVC, UL 94V-0 RATED, COLOR: BLACK.
- CABLE CLAMP HALVES: NICKEL OVER COPPER, FILLISTER HEAD SCREWS, HEX NUTS & MOUNTING SCREWS: ZINC PLATED PER ASTM B633, TYPE III, CLASS SC1, CLEAR CHROMATE.



GROMMET ASSORTMENT FOR SIZES 1 & 2 ONLY



GROMMET ASSORTMENT FOR SIZES 3, 4 & 5 ONLY

	BULK PACK	.680	.620	2.090	1.920	1.852	3	748676-9
OBSOLETE	SMALL PACK	.680	.620	2.090	1.920	1.852	3	748676-8
OBSOLETE	SMALL PACK	.620	.620	1.545	1.910	1.312	2	748676-7
OBSOLETE	SMALL PACK	.550	.620	1.215	1.910	.984	1	748676-6
	STANDARD	.900	.730	2.644	1.920	2.406	5	748676-5
	STANDARD	.800	.620	2.738	1.920	2.500	4	748676-4
	STANDARD	.680	.620	2.090	1.920	1.852	3	748676-3
	STANDARD	.620	.620	1.545	1.910	1.312	2	748676-2
	STANDARD	.550	.620	1.215	1.910	.984	1	748676-1
	PACKAGING	E	D	C	B	A	SIZE	PART NO

DO NOT SCALE PRINT. UNLESS SPECIFIED DIMENSIONS IN INCHES TOLERANCES ON:	DR 5/4/88 S. WELDON	AMP INCORPORATED Harrisburg, Pa. 17105
2 PLC DEC ± .005	CHK 5/4/88 W.G. LENKER	
3 PLC DEC ± .005	APPD 5/6/88 R. WHYNE	
ANGLES ± -	APPD 5/6/88 V. KUMAR	
MATERIAL	PRODUCT SPEC	NAME
		KIT, CABLE CLAMP, 180° EXIT, W/GROMMETS, AMPLIMITE™
FINISH	APPLICATION SPEC	SIZE
		D 00779
WEIGHT		FSCM NO
		00779
		DRAWING NO
		748676
		SCALE
		3:1
		SHEET
		1 OF 1