

Common Mode Filters(SMD) For General Signal Line

Conformity to RoHS Directive

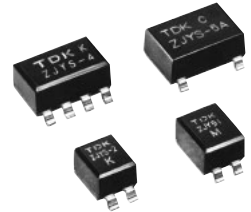
ZJYS Series ZJYS51 Type

FEATURES

- A common mode filter for distortion-free noise removal from transmitted signals. Optimized for transmission of high quality signals.
- Best filter for countering the common mode noise resulting from data signal processing by PCs, phone equipment, etc.
- SMD-type designed for surface mounting.
- Due to a maximum current tolerance of 5A, can also be used to counter power line noise.

APPLICATIONS

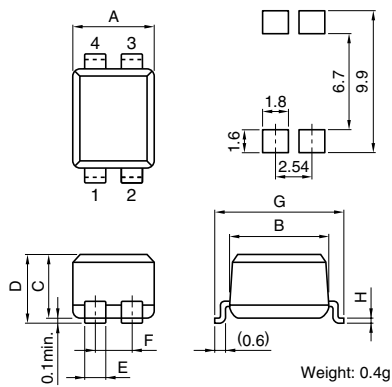
Personal computers, telephones, LANs, ISDNs, digital PBXs, electronic games, CTVs, CD-ROM drives, 8mm video equipment, and other electronic devices.



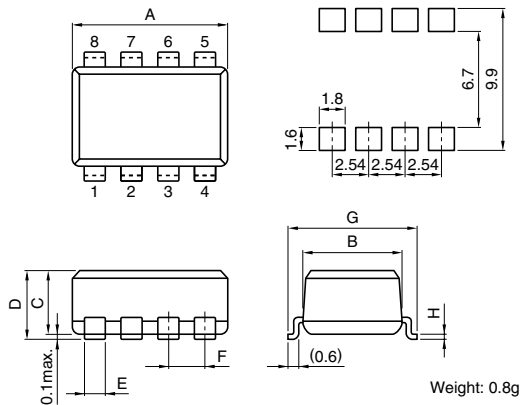
SHAPES AND DIMENSIONS/RECOMMENDED PC BOARD PATTERNS

TRANSFER MOLD

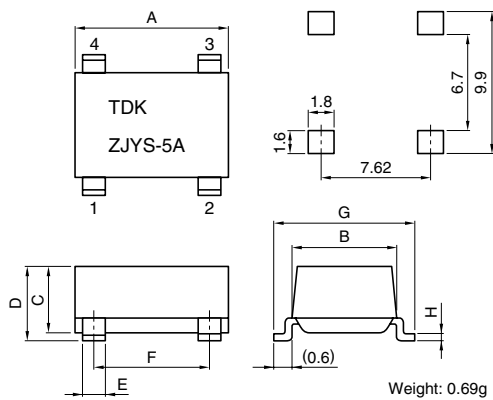
ZJYS51R5-2P(T)-01, -2PB(T)-01, -2PL(T)-01, 5103-2PL(T)-01



ZJYS51R5-4P(T)-01, -M4PA(T)-01



ZJYS5105-2PL(T)-01



Dimensions in mm

Part No.	A max.	B max.	C max.	D max.	E	F	G max.	H
ZJYS51R5-2P(T)-01, -2PB(T)-01, -2PL(T)-01, 5103-2PL(T)*1-01*2	5.5	6.86	4.57	5.08	1.3	2.54±0.25	9±0.5	0.25
ZJYS51R5-4P(T)-01, -M4PA(T)-01	10.5	6.86	4.57	5.08	1.3	2.54±0.25	9±0.5	0.25
ZJYS5105-2PL(T)-01	10.5	7.5	4.57	5.08	1.3	7.62±0.25	9±0.5	0.25

*1 T means the taping product.

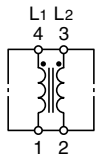
*2 The "-01" designation at the end of the product code indicates conformity to RoHS directive.

• Conformity to RoHS Directive: This means that, in conformity with EU Directive 2002/95/EC, lead, cadmium, mercury, hexavalent chromium, and specific bromine-based flame retardants, PBB and PBDE, have not been used, except for exempted applications.

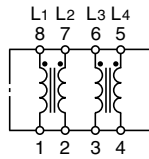
• All specifications are subject to change without notice.

CIRCUIT DIAGRAMS

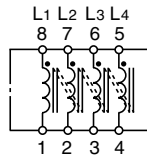
ZJYS51R5-2P(T)-01,
-2PB(T)-01, -2PL(T)-01
ZJYS5103-2PL(T)-01



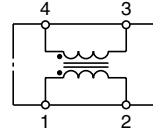
ZJYS51R5-4P(T)-01



ZJYS51R5-M4PA(T)-01



ZJYS5105-2PL(T)-01



ELECTRICAL CHARACTERISTICS

Part No.	ZJYS51R5-2P(T)-01, -2PB(T)-01*1, -2PL(T)-01*2, -4P(T)-01	ZJYS5103-2PL(T)-01
Rated voltage Edc(V)	50	50
Rated current (A)	2	3
Test voltage Edc(V) [Between terminals for 5s]	125	125
Insulation resistance (MΩ) [Between terminals at DC.50V for 1min]	100min.	100min.
DC resistance (Ω) [Each line]	0.06max.	0.03max.
Operating temperature range (°C)	-25 to +85	-25 to +85
Impedance (Ω) [+5 to +35°C]	200min.[20 to 300MHz]	100min.[100 to 300MHz]
Part No.	ZJYS51R5-M4PA(T)-01	ZJYS5105-2PL(T)-01
Rated voltage Edc(V)	50	50
Rated current (A)	0.5	5
Test voltage Edc(V) [Between terminals for 5s]	125	125
Insulation resistance (MΩ) [Between terminals at DC.50V for 1min]	100min.	100min.
DC resistance (Ω) [Each line]	0.2max.	0.01max.
Operating temperature range (°C)	-25 to +85	-25 to +85
Impedance (Ω) [+5 to +35°C]	200min.[20 to 300MHz]	100min.[100 to 300MHz]

*1 The characteristics of low area reform type.

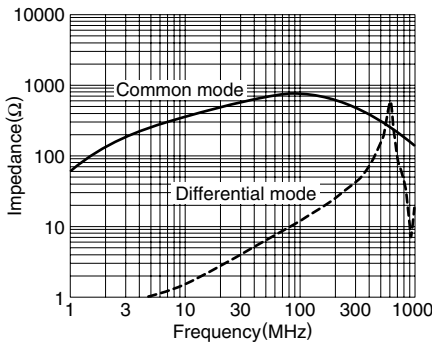
*2 Separate winding type (for communications).

• The "T" designation at the end of the product code indicates tape mounting.

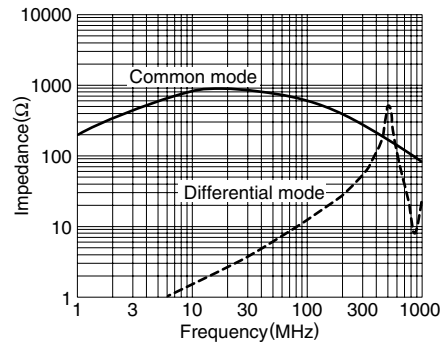
TYPICAL ELECTRICAL CHARACTERISTICS

IMPEDANCE CHARACTERISTICS (for 1 element)

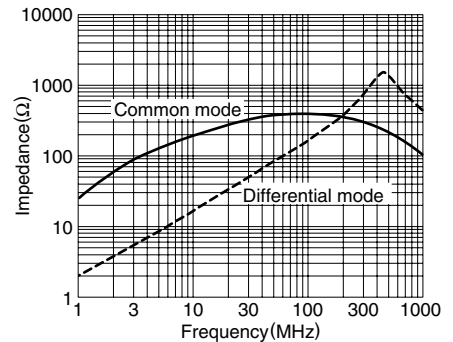
ZJYS51R5-2P-01, -4P-01



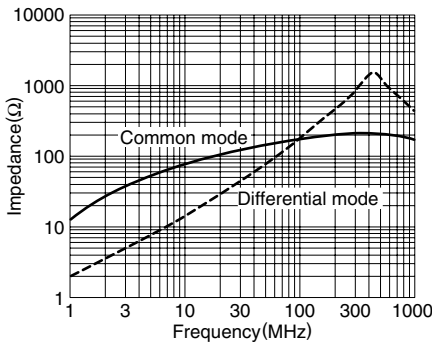
ZJYS51R5-2PB-01



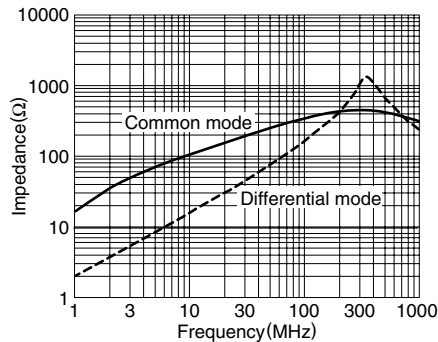
ZJYS51R5-2PL-01



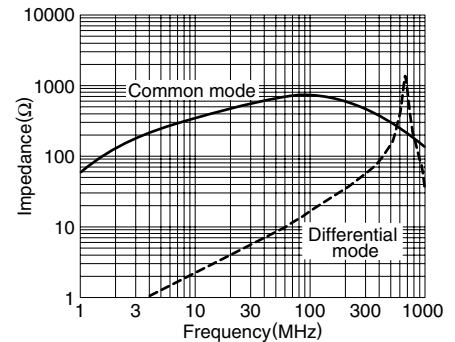
ZJYS5103-2PL-01



ZJYS5105-2PL-01

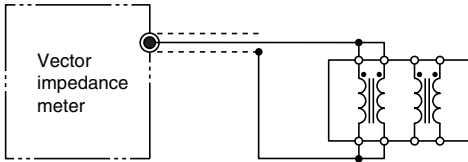


ZJYS51R5-M4PA-01



• All specifications are subject to change without notice.

MEASURING CIRCUIT



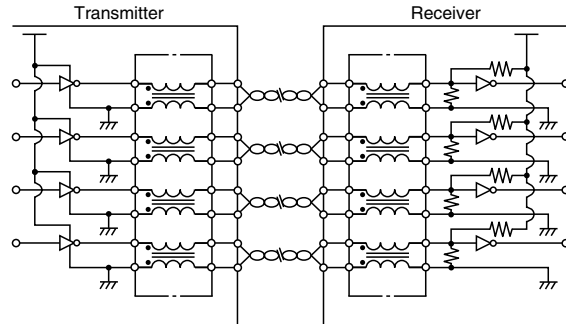
Vector impedance meter (YHP 4191A equivalent)
Measuring at each Common mode choke coil

PACKAGING STYLE AND QUANTITIES

Part No.	Taping (/reel)	Bulk
ZJYS51R5-2P(T)-01	1500 pieces	200 pieces
ZJYS51R5-2PB(T)-01	1500 pieces	200 pieces
ZJYS51R5-2PL(T)-01	1500 pieces	200 pieces
ZJYS5103-2PL(T)-01	1500 pieces	200 pieces
ZJYS51R5-4P(T)-01	1000 pieces	100 pieces
ZJYS51R5-M4PA(T)-01	1000 pieces	100 pieces
ZJYS5105-2PL(T)-01	1000 pieces	100 pieces

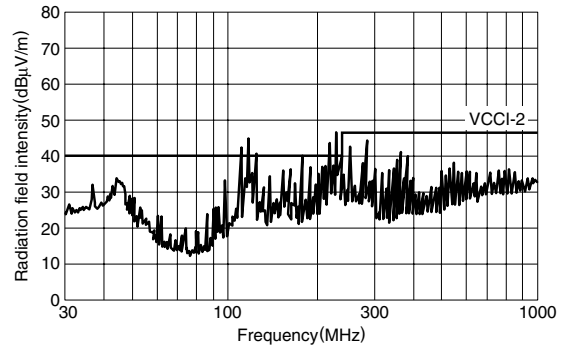
TYPICAL APPLICATION

An application example showing how radiation noise is prevented when transmitter and receiver are connected via twisted pair cabling.



TYPICAL APPLICATION EFFECTS

(a) Without EMC filter



(b) With EMC filter ZJYS51R5-2P(T)-01

