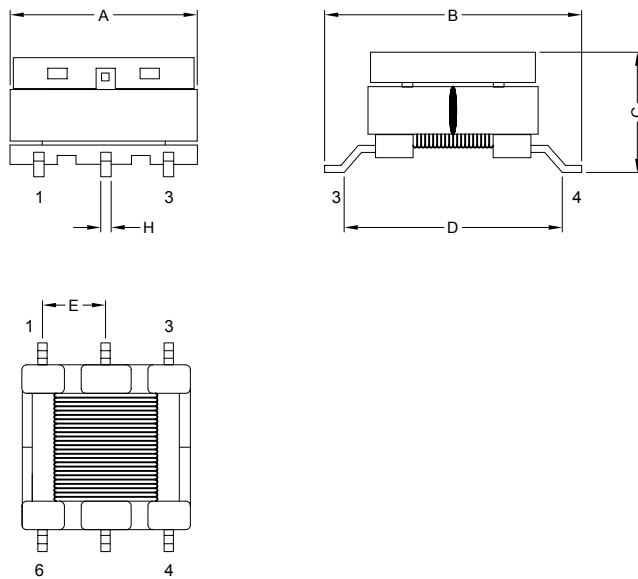


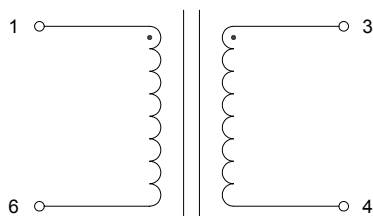
1. CONFIGURATION & DIMENSIONS :



Unit:m/m

A	B	C	D	E	H
6.50 Max.	7.80±0.20	5.80 Max.	5.80±0.20	1.85±0.10	0.40x0.30 Ref.

2. SCHEMATIC :



3. SCHEMATIC :

- a) Bobbin : Phenolic
- b) Core : EE5
- c) Wire : Polyurethane DD (1UEW+NY)
- d) Cover : LCP
- e) Tape : Polyester Film
- f) Adhesive : Epoxy



RoHS Compliant

NOTE : Specifications subject to change without notice. Please check our website for latest information.

19.06.2008



SUPERWORLD ELECTRONICS (S) PTE LTD

4. GENERAL SPECIFICATION :

- a) Operating Temperature Range : -25°C to +105°C
- b) Insulation Class : B (130°C)

5. ELECTRICAL CHARACTERISTICS :

Part No.	Inductance (L)	Conditions	Test Frequency	DCR @ 25°C
SEEA5HSF-50542	L : (1-6) = 624uH±25%	-	300KHz 0.1V	(1-6) = 1.9Ω Max.
	L : (3-4) = 624uH±25%	-	300KHz 0.1V	(3-4) = 1.9Ω Max.



RoHS Compliant

NOTE : Specifications subject to change without notice. Please check our website for latest information.

19.06.2008



SUPERWORLD ELECTRONICS (S) PTE LTD