



Technical specification for Small Form Factor Pluggable (SFP)


OC-12 (622.08Mbps)


Sumitomo Part Number	Function
SCP6G02-GL-# W E	IR, 1310nm, 15km
SCP6G12-GL-# W E	LR-1, 1310nm, 40km
SCP6G62-GL-# W E	LR-2, 1550nm, 80km



Sumitomo Electric reserves the right to make changes in this specification without prior notice.
Sumitomo Electric Industries, Ltd. and ExceLight Communications, Inc. have been granted license to the following patents under a license agreement with Finisar corporation: US5,019,769, US6,439,918 B1

#Safety Precaution Symbols This specification uses various picture symbols to prevent possible injury to operator or other persons or damage to properties for appropriate use of the product. The symbols and definitions are as shown below. Be sure to be familiar with these symbols before reading this specification.

 **Caution** Wrong operation without following this instruction may lead to human injury or property damage.

 **Warning** Wrong operation without following this instruction may lead to human death or serious injury.

Examples of picture symbols



indicates prohibition of actions. Action details are explained thereafter.



indicates compulsory actions or instructions. Action details are explained thereafter.

1 General

Features and applications of SCP6Gx2-GL-xWE are listed below.

Features

- * RoHS-6 Compliant.
- * Compliant with SFP MSA.
- * SFF-8472 rev.9 compliant diagnostic monitoring implemented.
- * OC-12/STM-4 Operation
- * Power Supply Voltage Single +3.3V
- * Compact Package Size 57.5 X 13.9 X 8.6 mm
- * Electrical Interface AC coupled for DATA, LVTTTL for Tx Disable and open collector output for LOS and Tx Fault. Circuit ground is internally isolated from frame ground.
- * Connector Interface LC Duplex
- * Serial ID Functionality
- * Alarm and Warning Flags
- * Bail type Actuator

Applications

- *Telecommunications
 - SONET/SR, IR, LR SDH/IO, SH, LH Application
 - ATM Application
 - Subscriber Loop
 - Metropolitan Area Network
- *Data communication
 - High Speed Rack-to-Rack Data Links

2 Block diagram

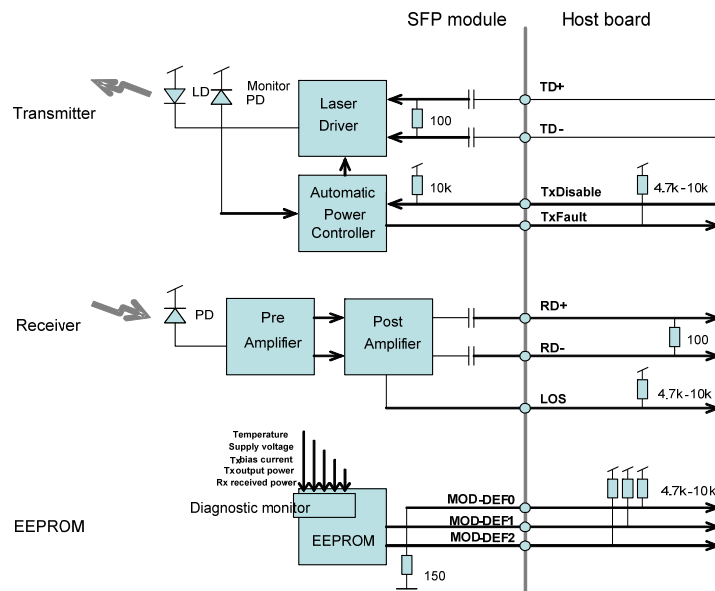
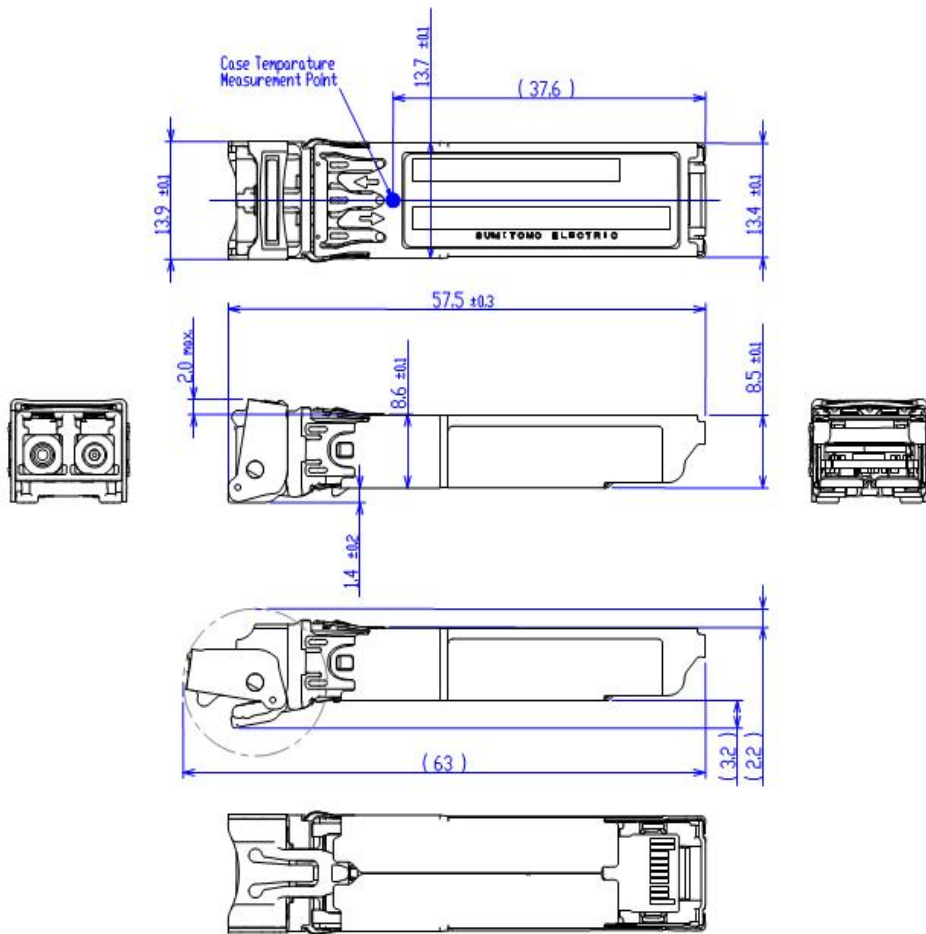


Figure 1. Block diagram

⚠ Caution
<div style="display: flex; align-items: center;"> <div style="font-size: 2em; margin-right: 10px;">⊘</div> <div> <p>Do not disassemble this product. Otherwise, failure, electrical shock, overheating or fire may occur.</p> </div> </div>

3 Package dimensions



Bail color is blue.

Note1 All Dimensions in mm

Note2 Dimensions with parentheses indicate the bail and latch release position

Figure 2. Package dimensions

4 Pin assignment and function

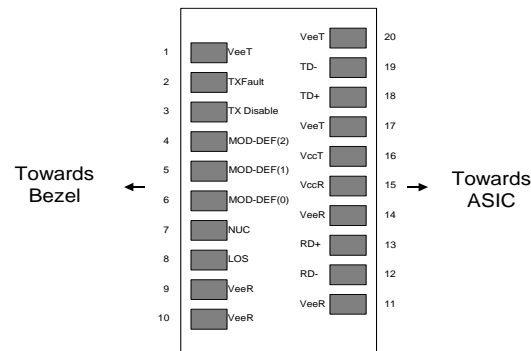


Figure 3. Pin assignment

Pin number	Name	Function	Plug sequence*	Note
1	VeeT	Transmitter ground	1	
2	TXFault	Transmitter fault indication	3	
3	TXDisable	Transmitter disable input	3	Module disables on high or open
4	MOD-DEF2	Module definition 2	3	2 wire serial ID and interface
5	MOD-DEF1	Module definition 1	3	2 wire serial ID and interface
6	MOD-DEF0	Module definition 0	3	Grounded internally via 150ohm
7	NUC	No user connection	3	Reserved for future use
8	LOS	Loss of signal indication	3	
9	VeeR	Receiver ground	1	
10	VeeR	Receiver ground	1	
11	VeeR	Receiver ground	1	
12	RD-	Negative receiver Data out	3	
13	RD+	Positive receiver Data out	3	
14	VeeR	Receiver ground	1	
15	VccR	Receiver power	2	
16	VccT	Transmitter power	2	
17	VeeT	Transmitter ground	1	
18	TD+	Positive transmitter Data in	3	
19	TD-	Negative transmitter Data in	3	
20	VeeT	Transmitter ground	1	

*Plug sequence: Pin engagement sequence during hot plugging.

TxFault TxFault is an open collector output that shall be pulled up with a 4.7k to 10kohm resistor on the host board. Pull up voltage is between 2.0V and VccT+0.3V. When high, output indicates a laser fault of some kind. Low indicates normal operation. TxFault is asserted when bias current of laser exceeds the factory-calibrated threshold level.

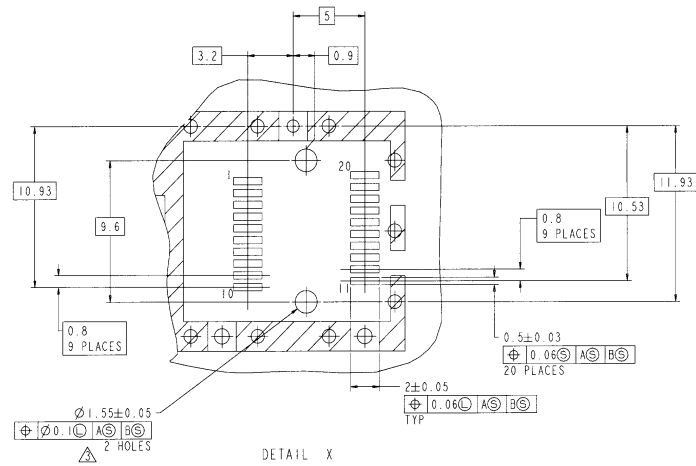
TxDisable TxDisable is an input that is used to shut down the transmitter optical output. It is pulled up within the module with a 4.7kohm resistor.

MOD-DEF MOD-DEF 0, 1 and 2 are module definition pins. They should be pulled up with a 4.7k to 10kohm resistor on the host board. The pull-up voltage shall be VccT. MOD-DEF0 indicates that the module is present. MOD-DEF1 is the clock line of two wire serial interface for serial ID. MOD-DEF2 is the data line of two wire serial interface for serial ID.

LOS LOS is an open collector output that shall be pulled up with a 4.7k to 10kohm resistor. Pull up voltage between 2.0V and VccR+0.3V. Low indicates normal operation.

RD RD+/- are the differential receiver outputs. They are AC-coupled 100ohm differential lines that should be terminated with 100ohm (differential) at the user's SERDES. The AC coupling is done inside the module and is thus not required on the host board.

TD TD+/- are the differential transmitter inputs. They are AC-coupled, differential lines with 100ohm differential termination inside the module. The AC coupling is done inside the module and is thus not required on the host board.



- Notes:
1. Datum and basic dimensions established by customer
 2. Pads and vias are chassis ground, 11 places
 3. Thru holes, plating optional

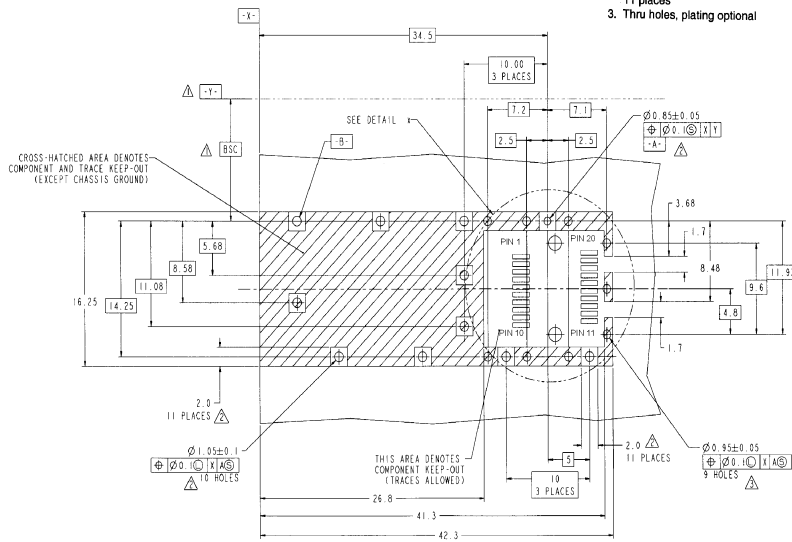
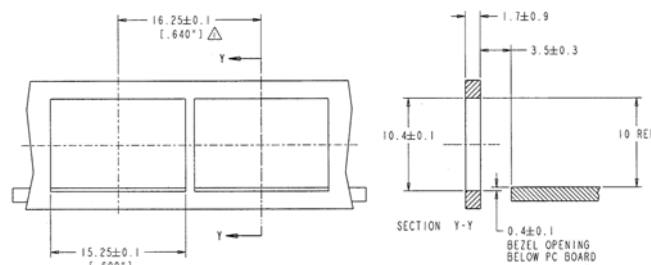


Figure 4 SFP host board mechanical layout



- NOTES:
1. MINIMUM PITCH ILLUSTRATED. ENGLISH DIMENSIONS ARE FOR REFERENCE ONLY
 2. NOT RECOMMENDED FOR PCI EXPANSION CARD APPLICATIONS

Figure 5 Recommended bezel design


5 Absolute maximum ratings

Parameter	Symbol	Min.	Typ.	Max.	Unit	Note
Storage ambient temperature	Ts	-40		85	deg.C	1
Operating case temperature	Tc	-40		85	deg.C	
Optical input level	Pin			3	dBm	2
Supply voltage	VccT, R	0		4	V	
Input voltage	Vi	0		VccT+0.3	V	3
Sink current	Isink	-1		5	mA	4
Differential Input Voltage Swing (TD+,TD-)	Vin			2.5	Vp-p	


Note

1. No condensation allowed.
2. Peak value
3. For MOD-DEF (1:2) and Tx Disable.
4. For LOS and TxFault.

Warning

 Use the product with the rated voltage described in the specification. If the voltage exceeds the maximum rating, overheating or fire may occur.

Caution

 Do not store the product in the area where temperature exceeds the maximum rating, where there is too much moisture or dampness, where there is acid gas or corrosive gas, or other extreme conditions. Otherwise, failure, overheating or fire may occur.

6 Electrical interface

Unless otherwise specified, VccT, R=3.135 to 3.465V and all operating temperature shall be applied.

6.1 Operating characteristics

Parameter	Symbol	Min.	Typ.	Max.	Unit	Note
Supply Voltage	VccT, R	3.135	3.3	3.465	V	
Power Dissipation	Pw			0.85	W	1

Note

1. 622.08Mbps, PRBS 2²³-1, NRZ, 50% duty cycle data.

6.2 Transmitter

Parameter	Symbol	Min.	Typ.	Max.	Unit	Note
Differential Input Voltage Swing (TD+,TD-)	Vin	0.3		2.4	Vpp	1
Input Differential Impedance	Zin	80	100	120	ohm	
Tx Fault	High	VfaultH	2	VccT+0.3	V	2
	Low	VfaultL	0	0.8	V	2, 3
Tx Disable	Disable	Vdi	2	VccT	V	4
	Enable	VeI	0	0.8	V	

Note

1. Refer to Figure 6.
2. Tx Fault is pulled up to VccT with a 4.7k - 10kohm resistor on the host board.
When high, output indicates a laser fault of some kind. Low indicates normal operation.
3. Sink Current: 3mA
4. Tx Disable input is internally terminated to VccT via 7.5kohm resistor. If left open, transmitter is disabled.

6.3 Receiver

Parameter		Symbol	Min.	Typ.	Max.	Unit	Note
Differential output voltage swing(RD+,RD-)		Vout	0.4		1.2	Vp-p	1
Data Rise / Fall Time		tr / tf			0.5	ns	2
LOS Output Voltage	High	Vloh	2.0		VccR+0.3	V	3
	Low	Vlol	0		0.8	V	3,4

Note

1. Rdiff=100ohm. Refer to figure 6.
2. 20-80% value.
3. LOS should be pulled up to VccR with a 4.7k – 10kohm resistor on the host board. Low indicates normal status.
4. Sink current 3mA.

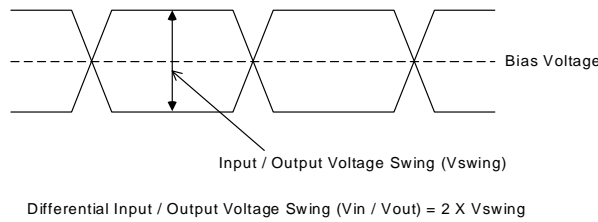


Figure 6. Definition of differential input/output voltage swing

6.4 Module definition

Parameter		Symbol	Min.	Typ.	Max.	Unit	Note
MOD_DEF(1:2) Input Voltage	High	Vih	2		VccT	V	1
	Low	Vil	0		0.8	V	
MOD_DEF(2) Output Voltage	High	Voh	2		VccT	V	1
	Low	Vol	0		0.8	V	1

Note

1. Should be pulled up to VccT with a 4.7k – 10kohm resistor on the host board.

7 Optical interface

Unless otherwise specified, VccT, R=3.135 to 3.465V and all operating temperature shall be applied.

7.1 Transmitter

Parameter	Symbol		SCP6G02	SCP6G12	SCP6G62	Unit	Note	
Bit Rate Range	-		622.08Mbps +/- 100ppm			Mbps		
Average Output Power (Enabel)	Po	Max.	-8	2	2	dBm	1	
		Min.	-15	-3	-3			
Average Output Power (Disable)	Pdis	Max.	-45.0					
Extinction Ratio	Er	Min.	8.2	10.0	10.0	dB		
Center Wavelength	λ_c	Max.	1356	1335	1580	nm		
		Min.	1274	1280	1480			
Spectral Width (RMS)	$\Delta\lambda_{rms}$	Max.	2.5					
Spectral Width (-20dB Width)	$\Delta\lambda_{-20}$	Max.			1	1		
Side Mode Suppression Ratio	SMSR	Min.			30	30		dB
Maximum Optical path penalty	-	Max.				1		
Maximum Dispersion penalty	-	Max.			N/A	1600	ps/nm	
Eye Mask for Optical Output	Compliant with Telcordia GR-253 CORE and ITU-T G.957							
Jitter Generation	Tjpk	Max.				0.07	Ulp	
	Tjrms	Max.				0.007	Ulrms	

Note

1. Measured at 622.08Mbps, PRBS2^23-1, 50%duty cycle, NRZ.

2. SONET OC-12c data pattern filled with a 2²³-1, PRBS payload.

Measured with a band pass filter having a high-pass cutoff frequency of 12kHz and a low-pass cutoff frequency of 5MHz.

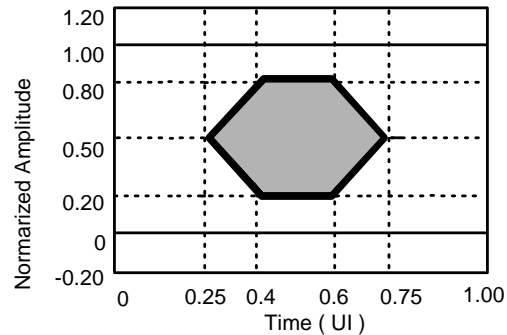


Figure 7. Optical Pulse Mask with Fourth Order Bessel Thomson Filter Specified in ITU-T G.957

⚠ Warning
<p>⊘ Do not look at the laser beam projection area (e.g. end of optical connector) with naked eyes or through optical equipment while the power is supplied to this product. Otherwise, your eyes may be injured.</p>

7.2 Receiver

Parameter	Symbol		SCP6G02	SCP6G12	SCP6G62	Unit	Note
Bit Rate Range	-		622.08Mbps +/- 100ppm			Mbps	
Center Wavelength	-	Max.	1580			nm	
		Min.	1260				
Minimum Sensitivity	P _{min}	Max.	-28			dBm	1, 2
Overload	P _{max}	Min.	-8				
LOS Activation Level	P _{La}	Max.	-28.5			dBm	2
		Min.	-45				
LOS Deactivation Level	P _{Ld}	Max.	-28				
		Min.	-44.5				
LOS Hysteresis	Phys	Max.	6			dB	
		Min.	0.5				
Optical Reflectance	REFr	Max		-14	-27		

Note

1. BER = 1E-10.
2. Measured at 622.08Mbps, PRBS²²³-1, NRZ

7.3 Transceiver timing characteristics

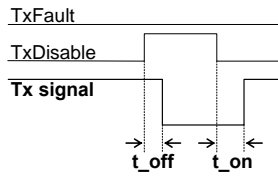
Parameter	Symbol	Min.	Typ.	Max.	Unit	Note
TxDisable assert time	t _{off}			10	us	1
TxDisable negate time	t _{on}			1	ms	2
Time to initialize	t _{init}			300	ms	3
TxFault assert time	t _{fault}			100	us	4
TxDisable to reset	t _{reset}	10			us	5
LOS assert time	t _{loss_on}			100	us	6
LOS de-assert time	t _{loss_off}			100	us	7
Serial ID clock rate	-			100	kHz	

Note

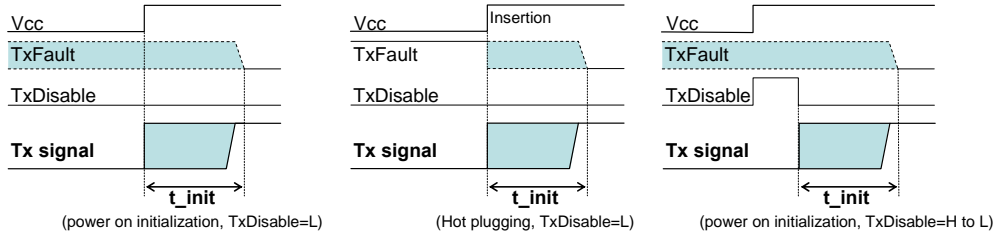
1. Time from rising edge of TxDisable to when the optical output falls below 10% of nominal.

(SCP6Gx2-GL)

2. Time from falling edge of TxDisable to when the modulated optical output rises above 90% of nominal.

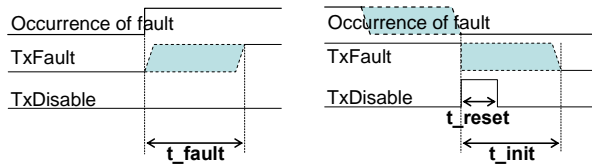


3. From power on or negation of TxFault using TxDisable.



4. Time from transmitter's fault condition to TxFault on.

5. Time to reset TxFault status.



6. Time from Loss of signal state to LOS assert.

7. Time from non-LOS state to LOS de-assert.

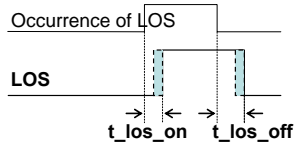


Figure 8. Transceiver timing charts

7.4 TxFault and Tx shutdown options

Type	TxFault	Tx shutdown on TxFault
A	Latched	No
B	Not latched	No
C	Latched	Yes

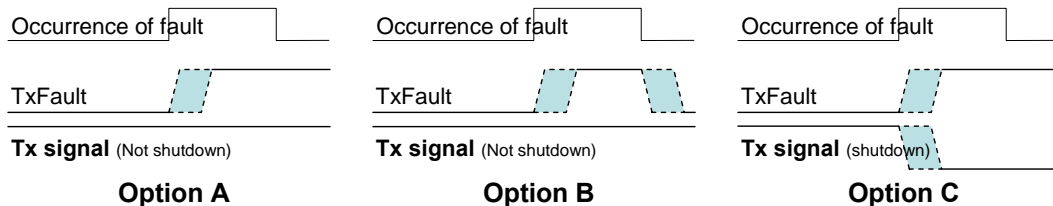


Figure 9. Part number identification for TxFault and Tx shutdown behavior

8 EEPROM memory contents

The data can be read using the 2-wire serial CMOS EEPROM protocol of the Atmel AT24C01A or equivalent.

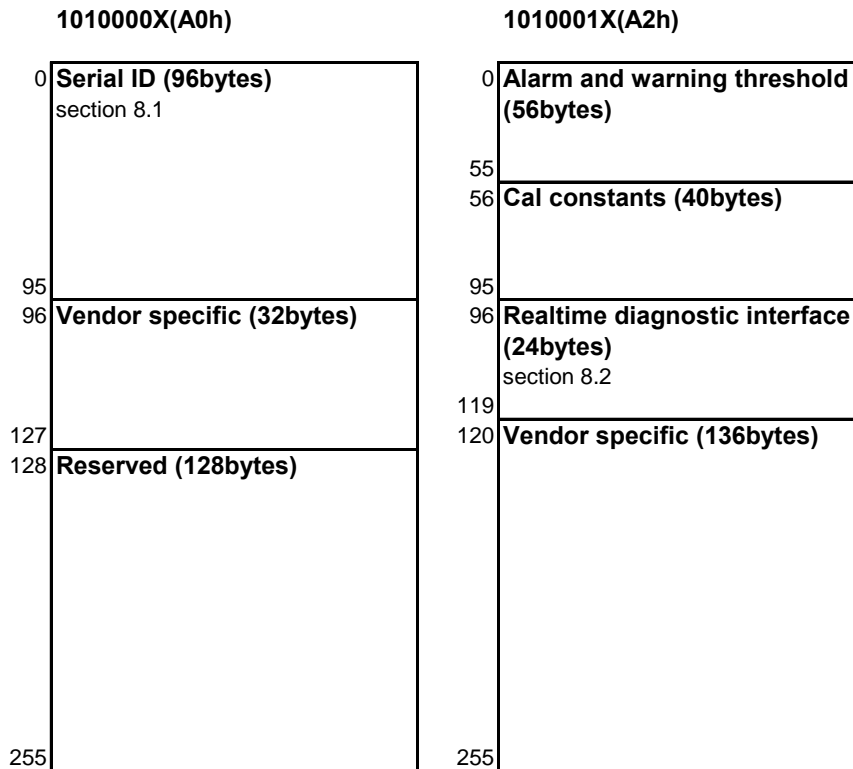


Figure 10. Digital diagnostic memory map

8.1. Serial ID (A0h)

Address	Name of field	Hex	ASCII	Description	Address	Name of field	Hex	ASCII	Description
BASE ID FIELDS					EXTENDED ID FIELDS				
0	Identifier	03		SFP Transceiver	64	Options	00		
1	Ext. Identifier	04			65		1A		
2	Connector	07		LC Connector	66	BR, max	00		
3	Transceiver	Note1			67	BR, min	00		
4					68	Vendor SN	Note3		Year
5					69				Month
6					70				
7					71				
8					72				
9					73				
10					74				
11	Encoding	05		SONET Scrambled	75				
12	BR, Nominal	06		622.08Mbps	76				
13	Reserved	00			77				
14	Length(9um) - km	Note1			78				
15	Length (9um)				79				
16	Length (50um)				80				
17	Length (62.5um)				81				
18	Length (Copper)	00			82				
19	Reserved	00			83				
20	Vendor name	53	S		84	Date code	Note4		
21		75	u		85				
22		6D	m		86				
23		69	i		87				
24		74	t		88				
25		6F	o		89				
26		6D	m		90				
27		6F	o		91				
28		45	E		92	Diagnostic Monitoring Type	58		Note 6
29		6C	l		93	Enhanced Options	F0		Note 7
30		65	e		94	SFF-8472 Compliance	01		Diagnostics
31		63	c		95	CC_EXT	Note5		
32		74	t		VENDOR SPECIFIC ID FIELDS				
33		72	r		96	Read-only	20		
34		69	i		97		20		
35		63	c		98		20		
36	Reserved	00		99	20				
37	Vendor OUI	00		100	20				
38	5F			101	20				
39	53	S		102	20				
40	43	C		103	20				
41	50	P		104	20				
42	36	6		105	20				
43	47	G		106	20				
44	30/31/36	0/1/6		107	20				
45	32	2		108	20				
46	2D	-		109	20				
47	47	G		110	20				
48	4C	L		111	20				
49	2D	-		112	20				
50	41/42/43	A/B/C	TxFault Type	113	20				
51	57	W	Temperature Range	114	20				
52	45	E	Diagnostics	115	20				
53	20			116	20				
54	20			117	20				
55	20			118	20				
56	41 to 5A	A to Z	Variable	119	20				
57	20			120	20				
58	20			121	20				
59	20			122	20				
60	Wavelength	05		123	20				
61	1E		1310nm	124	20				
62	Reserved	00		125	20				
63	CC_BASE	Note2		126	20				
				127	20				

Note

1. Refer to the section 8-2.
2. Address 63 is a checksum of bytes 0 to 62.
3. Address 68 to 83 is vendor's serial number area.
4. Address 84 to 91 is date-code.
5. Address 95 is a checksum of bytes 64 to 94.
6. Diagnostic monitoring types are listed below.

Address	Bit	Status	Description
92	7	0	Reserved for legacy diagnostic implementations.
92	6	1	Digital diagnostic monitoring is implemented.
92	5	0	Externally calibrated
92	4	1	
92	3	1	Receiver power measurement type. 1=Average power.
92	2	0	Address change is not required.
92	1	0	Reserved
92	0	0	Reserved

7. Enhanced options are listed below.

Address	Bit	Status	Description
93	7	1	Alarm/warning flags implemented for all monitored quantities
93	6	1	Soft TxDisable control is implemented.
93	5	1	Soft TxFault monitoring is implemented.
93	4	1	Soft RxLOS monitoring is implemented.
93	3	0	Soft rate-select control and monitoring is not implemented.
93	2	0	Reserved
93	1	0	Reserved
93	0	0	Reserved

8.2. SCP6Gx2-GL-#WE EEPROM Information (Transceiver Code etc)

Address	Name of field	SCP6G02	SCP6G12	SCP6G62	Description
		Hex	Hex	Hex	
3	Transceiver	00	00	00	
4		10	10	08	1020:OC12 IR, 1040:OC12LR1, 0840:OC12LR2
5		20	40	40	
6		00	00	00	
7		00	00	00	
8		00	00	00	
9		00	00	00	
10		00	00	00	
14	Length(9um) - km	0F	28	50	0F:15km, 28:40km, 50:80km
15	Length (9um)	96	FF	FF	
60	Wavelength	05	05	06	051E:1310nm, 060E:1550nm
61		1E	1E	0E	

8.3 Real-time diagnostics (A2h)

Setting of bit 6, address 92 means digital diagnostic monitoring is implemented. Two calibration options are possible. If bit 5 of address 92, "Internally calibrated", is set, the transceiver directly reports calibrated values in units of current, power etc. If bit 4, "Externally calibrated", is set, the reported values are A/D counts which must be converted to real world units using calibration values read using 2 wire serial address 1010001X(A2h) from bytes 55 to 95. Monitoring range and accuracy are described in section 8.4.

Address	Bit	Name	Description
96	MSB	Temperature (T _{AD})	Junction temperature 16-bit signed 2's complement value. See Note 1 and 6.
97	LSB		
98	MSB	V _{CC} (V _{AD})	Internally measured supply voltage "V _{CC} T" in a module. Unsigned 16-bit value. See Note 2 and 6.
99	LSB		
100	MSB	Tx bias current (I _{AD})	Unsigned 16-bit value. See Note 3 and 6.
101	LSB		
102	MSB	Tx power (TP _{AD})	Measured TX output power. Unsigned 16-bit value. See Note 4 and 6.
103	LSB		
104	MSB	Rx power (RP _{AD})	Measured RX received power. Unsigned 16-bit value. 1digit=0.1uW. See Note 5 and 6.
105	LSB		
106	-	-	Reserved
107	-	-	Reserved
108	-	-	Reserved
109	-	-	Reserved

Note

- Temperature (1/256deg.C/digit) $T = T_{slope} * T_{AD} + T_{offset}$ (Ext. cal.)
- V_{CC} (100uV/digit) $V = V_{slope} * V_{AD} + V_{offset}$ (Ext. cal.)
- TX bias current (2uA/digit) $I = I_{slope} * I_{AD} + I_{offset}$ (Ext. cal.)
- TX power (0.1uW/digit) $TP = TP_{slope} * TP_{AD} + TP_{offset}$ (Ext. cal.)
- RX power (0.1uW/digit) $RP = RP4 * RP_{AD}^4 + RP3 * RP_{AD}^3 + RP2 * RP_{AD}^2 + RP1 * RP_{AD} + RP0$ (Ext. cal.)

6. Calibration constants(A2h) are listed below.

Address	Bytes	Name	Description
56:59	4	RP4	Single precision floating-point calibration data. Byte 56 is MSB.
60:63	4	PR3	Single precision floating-point calibration data. Byte 60 is MSB.
64:67	4	PR2	Single precision floating-point calibration data. Byte 64 is MSB.
68:71	4	PR1	Single precision floating-point calibration data. Byte 68 is MSB.
72:75	4	RP0	Single precision floating-point calibration data. Byte 72 is MSB.
76:77	2	I _{slope}	Unsigned fixed-point calibration data. Byte 76 is MSB.
78:79	2	I _{offset}	16-bit signed 2's complement calibration data. Byte 78 is MSB.
80:81	2	TP _{slope}	Unsigned fixed-point calibration data. Byte 80 is MSB.
82:83	2	TP _{offset}	16-bit signed 2's complement calibration data. Byte 82 is MSB.
84:85	2	T _{slope}	Unsigned fixed-point calibration data. Byte 84 is MSB.
86:87	2	T _{offset}	16-bit signed 2's complement calibration data. Byte 86 is MSB.
88:89	2	V _{slope}	Unsigned fixed-point calibration data. Byte 88 is MSB.
90:91	2	V _{offset}	16-bit signed 2's complement calibration data. Byte 90 is MSB.
92:94	3	-	Reserved
95	1	-	Checksum. Low order 8 bits of the sum at data address 0 to 94.

8.4 A/D accuracy and monitoring range

Parameter	Accuracy	Monitoring range		Unit	Note
		Min.	Max.		
Temperature	+/- 3deg.C	-40	85	deg.C	1
Vcc	+/- 3%	3.135	3.465	V	
Tx bias current	+/- 10%	1	60	mA	2
Tx power	+/- 3dB	-15	-8	dBm	SCP6G02
		-3	2		SCP6G12/6G62
Rx Power	+/- 3dB	-28	-8	dBm	3

Note

1. Junction temperature.
2. Specified by nominal value.
3. At specified transmitter wavelength.

8.5 Optional status bit(A2h)

Address	Bit	Name	Description
110	0	Data ready bar	Indicates transceiver has achieved power up and data is ready. Bit remains high until data is ready to be read.

8.6 Alarm and Warning Flags(A2h)

Address	Bit	Name	Description
112	7	Temp High Alarm	Set when temperature exceeds high alarm level.
	6	Temp Low Alarm	Set when temperature is below low alarm level.
	5	Vcc High Alarm	Set when measured internal voltage exceeds high alarm level.
	4	Vcc Low Alarm	Set when measured internal voltage is below low alarm level.
	3	Tx bias High Alarm	Set when TX bias current exceeds high alarm level.
	2	Tx bias Low Alarm	Set when TX bias current is below low alarm level.
	1	Tx power High Alarm	Set when TX output power exceeds high alarm level.
	0	Tx power Low Alarm	Set when TX output power is below low alarm level.
113	7	RX power High Alarm	Set when received power exceeds high alarm level.
	6	RX power Low Alarm	Set when received power is below low alarm level.
	5:0	Reserved	
114	7:0	Reserved	
115	7:0	Reserved	
116	7	Temp High Warning	Set when temperature exceeds high warning level.
	6	Temp Low Warning	Set when temperature is below low warning level.
	5	Vcc High Warning	Set when measured internal voltage exceeds high warning level.
	4	Vcc Low Warning	Set when measured internal voltage is below low warning level.
	3	Tx bias High Warning	Set when TX bias current exceeds high warning level.
	2	Tx bias Low Warning	Set when TX bias current is below low warning level.
	1	Tx power High Warning	Set when TX output power exceeds high warning level.
	0	Tx power Low Warning	Set when TX output power is below low warning level.
117	7	RX power High Warning	Set when received power exceeds high warning level.
	6	RX power Low Warning	Set when received power is below low warning level.
	5:0	Reserved	
118	7:0	Reserved	
119	7:0	Reserved	

8.7 Alarm Warning threshold

SCP6G02-GL-xWE

A2h Address	Meaning	Unit	SCP6G02-GL-xWE
00-01	Temp High Alarm	deg	105
02-03	Temp Low Alarm	deg	-45
04-05	Temp High Warning	deg	95
06-07	Temp Low Warning	deg	-45
08-09	Vcc High Alarm	V	4
10-11	Vcc Low Alarm	V	2.8
12-13	Vcc High Warning	V	3.6
14-15	Vcc Low Warning	V	3
16-17	TX Bias High Alarm	mA	70
18-19	TX Bias Low Alarm	mA	0
20-21	TX Bias High Warning	mA	60
22-23	TX Bias Low Warning	mA	0
24-25	TX Power High Alarm	dBm	-5
26-27	TX Power Low Alarm	dBm	-18
28-29	TX Power High Warning	dBm	-7
30-31	TX Power Low Warning	dBm	-16
32-33	RX Power High Alarm	dBm	NA
34-35	RX Power Low Alarm	dBm	NA
36-37	RX Power High Warning	dBm	NA
38-39	RX Power Low Warning	dBm	NA

SCP6G12-GL-xWE

A2h Address	Meaning	Unit	SCP6G12-GL-xWE
00-01	Temp High Alarm	deg	97
02-03	Temp Low Alarm	deg	-45
04-05	Temp High Warning	deg	95
06-07	Temp Low Warning	deg	-45
08-09	Vcc High Alarm	V	4
10-11	Vcc Low Alarm	V	2.8
12-13	Vcc High Warning	V	3.6
14-15	Vcc Low Warning	V	3
16-17	TX Bias High Alarm	mA	70
18-19	TX Bias Low Alarm	mA	0
20-21	TX Bias High Warning	mA	60
22-23	TX Bias Low Warning	mA	0
24-25	TX Power High Alarm	dBm	5
26-27	TX Power Low Alarm	dBm	-6
28-29	TX Power High Warning	dBm	3
30-31	TX Power Low Warning	dBm	-4
32-33	RX Power High Alarm	dBm	NA
34-35	RX Power Low Alarm	dBm	NA
36-37	RX Power High Warning	dBm	NA
38-39	RX Power Low Warning	dBm	NA

SCP6G62-GL-xWE

A2h Address	Meaning	Unit	SCP6G62-GL-xWE
00-01	Temp High Alarm	deg	97
02-03	Temp Low Alarm	deg	-45
04-05	Temp High Warning	deg	95
06-07	Temp Low Warning	deg	-45
08-09	Vcc High Alarm	V	4
10-11	Vcc Low Alarm	V	2.8
12-13	Vcc High Warning	V	3.6
14-15	Vcc Low Warning	V	3
16-17	TX Bias High Alarm	mA	70
18-19	TX Bias Low Alarm	mA	0
20-21	TX Bias High Warning	mA	60
22-23	TX Bias Low Warning	mA	0
24-25	TX Power High Alarm	dBm	5
26-27	TX Power Low Alarm	dBm	-6
28-29	TX Power High Warning	dBm	3
30-31	TX Power Low Warning	dBm	-4
32-33	RX Power High Alarm	dBm	NA
34-35	RX Power Low Alarm	dBm	NA
36-37	RX Power High Warning	dBm	NA
38-39	RX Power Low Warning	dBm	NA

(SCP6Gx2-GL)

9 Recommended interface circuit

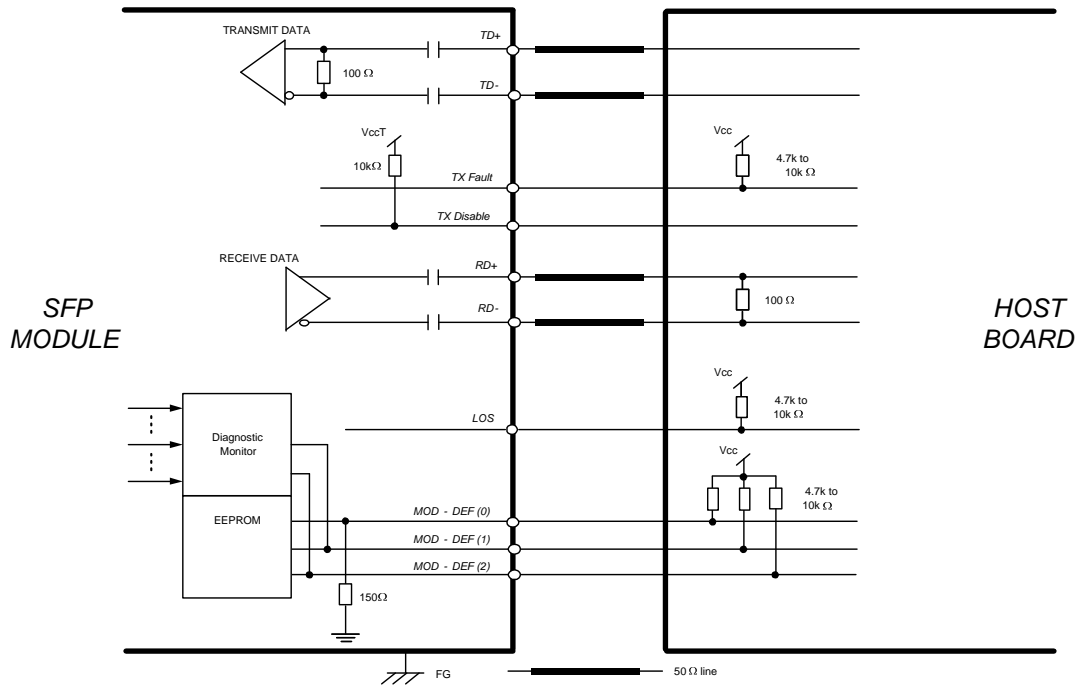


Figure 11. Recommended interface circuit

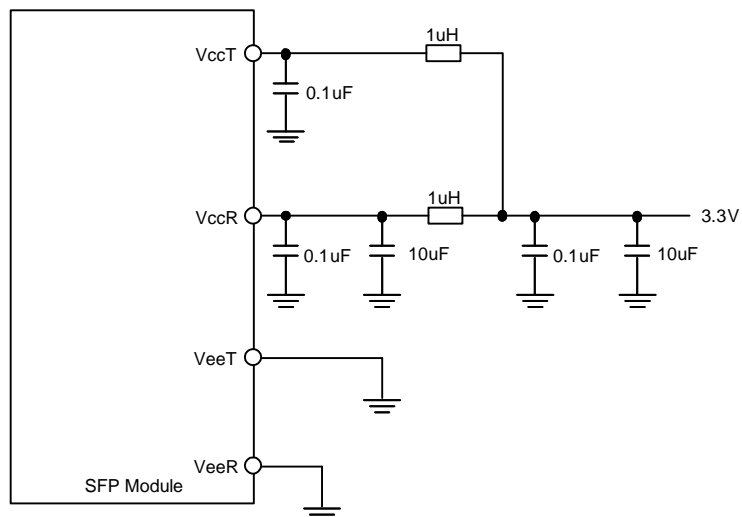


Figure 12. Recommended supply filtering network

10. RoHS COMPLIANCY

Compliance versus requirements contained inside the following reference document is guaranteed: "Directive 2002/95/EC of 27 January 2003 on the restriction of the use of certain hazardous substances in electrical and electronic equipment: from official journal of European Union (European Parliament and of the Council).

This product is compliant at RoHS-6/6 level and contains no leaded Solders.

11 Reliability test program

GR-468-CORE Issue 1, December 1998 Laser module

Heading	Test	Reference	Conditions	Sampling		
				LTPD	SS	C
Mechanical Integrity	Mechanical shock	MIL-STD-883 Method 2002	5 times/axis 1,500G, 0.5ms	20	11	0
	Vibration	MIL-STD-883 Method 2007	Cond. A 20G, 20 to 2,000Hz, 4min/cy, 4cy/axis	20	11	0
Endurance	Accel. aging (High temp.)	(R)-4-53 Section 5.18	85deg.C; rated power 1,000h for pass/fail 2,000 & 5,000h for info	-	25 10	-
	Low temp. storage	-	Minimum storage temperature 1,000h for pass/fail 2,000h for info	20	11	0
	Temperature cycling	Section 5.20	-40 to 85deg.C 500cy for pass/fail 1,000cy for info	20 -	11 11	0 -
	Damp heat with bias	MIL-STD-202 Method 103 or IEC-60068-2-3	85deg.C/85%RH 1,000h	20	11	0
	Cyclic moisture resistance	Section 5.23	-	20	11	0
Special test	Internal moisture	MIL-STD-883 Method 1018	Max. 5,000ppm water vapor	20	11	0
	ESD threshold	Section 5.22		-	6	-

SS; sample size

C; maximum number of failure allowed to pass the test.

12 Laser safety


This product uses a semiconductor laser system and is a laser class 1 product acceptable FDA, complies with 21CFR 1040.10 and 1040.11. Also this product is a laser class 1 product acceptable IEC60825-1:2007 and IEC60825-1:2001.

⚠ Caution	
	If this product is used under conditions not recommended in the specification or this product is used with unauthorized revision, classification for laser product safety standard is invalid. Classify the product again at your responsibility and take appropriate actions.

13 Other precaution

Under such a strong vibration environment as in automobile, the performance and reliability are not guaranteed. The governmental approval is required to export this product to other countries. To dispose of these components, the appropriate procedure should be taken to prevent illegal exportation.

This module must be handled, used and disposed of according to your company's safe working practice.

⚠ Warning	
	Operating transceiver products can have an outer package temperature exceeding 70 degC. To reduce the risk of injury from burns, do not touch the transceiver module under any circumstances while it is operational. When installing or uninstalling products that have been operating, handle with extreme care.

⚠ Warning	
⊘	Do not put this product or components of this product into your mouth. This product contains material harmful to health.

⚠ Caution	
⊘	Dispose this product or equipment including this product properly as industrial waste according to the regulations.

14 Ordering information

Part number

SCP6G **2** - **GL** - **W** **E**

└─ **Calibration type of diagnostic monitor**
E: External calibration

└─ **Operating case temperature range**
W: -40 to 85degC

└─ **TxFault type**

Type	TxFault	Tx shutdown on fault
A	Latched	No
B	Not latched	No
C	Latched	Yes

└─ **Transmitter Distance and Wavelength**

0: IR (15Km), 1310nm

1: LR-1 (40Km), 1310nm

6: LR-2 (80Km), 1550nm

15 For more information

U.S.A.

Sumitomo Electric Device Innovations, U.S.A., Inc.

<West Coast (USA Headquarters)>

2355 Zanker Rd. San Jose, CA 95131-1138, USA

Tel: +1-408-232-9500

Fax: +1-408-428-9111

<East Coast>

4021 Stirrup Creek Drive, Suite 200, Durham, NC 27703, USA

Tel: +1-919-361-1600

Fax: +1-919-361-1619

Email: lw-info@sei-device.com

<http://www.sei-device.com/>

Europe

Sumitomo Electric Europe Ltd.

220 Centennial Park, Elstree, Herts, WD6 3SL UK

Tel: +44-208-953-8681

Fax: +44-208-207-5950

E-mail: photonics@sumielectric.com

<http://www.sumielectric.com>

Asia

Sumitomo Electrics Asia Ltd.

Photonics Department

Room 2624 - 2637, 26F., Sun Hung Kai Center, 30 Harbour Road, Wanchai, Hongkong.

Tel: +852-2576-0080

Fax: +852-2576-6412

Japan

Sumitomo Electric Industries, Ltd.

Device Sales Department

<Tokyo>

3-9-1, Shibaura, Minato-ku, Tokyo 108-8539, Japan

TEL +81-3-6722-3286

FAX +81-3-6722-3284

<Osaka>

4-5-33, Kitahama, Chuo-ku, Osaka 541-0041, Japan

Tel: +81-6-6220-4245

Fax: +81-6-6222-6231

E-mail: optoele-sales-pro-sml@list.sei.jp

<http://www.sei.co.jp/products/index.html>