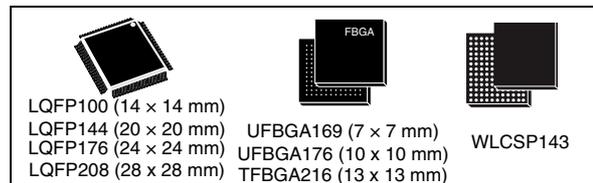


ARM Cortex-M4 32b MCU+FPU, 225DMIPS, up to 2MB Flash/256+4KB RAM, USB OTG HS/FS, Ethernet, 17 TIMs, 3 ADCs, 20 comm. interfaces, camera & LCD-TFT

Datasheet - production data

## Features

- Core: ARM® 32-bit Cortex®-M4 CPU with FPU, Adaptive real-time accelerator (ART Accelerator™) allowing 0-wait state execution from Flash memory, frequency up to 180 MHz, MPU, 225 DMIPS/1.25 DMIPS/MHz (Dhystone 2.1), and DSP instructions
- Memories
  - Up to 2 MB of Flash memory organized into two banks allowing read-while-write
  - Up to 256+4 KB of SRAM including 64-KB of CCM (core coupled memory) data RAM
  - Flexible external memory controller with up to 32-bit data bus: SRAM,PSRAM,SDRAM/LPSDR SDRAM , Compact Flash/NOR/NAND memories
- LCD parallel interface, 8080/6800 modes
- LCD-TFT controller up to XGA resolution with dedicated Chrom-ART Accelerator™ for enhanced graphic content creation (DMA2D)
- Clock, reset and supply management
  - 1.7 V to 3.6 V application supply and I/Os
  - POR, PDR, PVD and BOR
  - 4-to-26 MHz crystal oscillator
  - Internal 16 MHz factory-trimmed RC (1% accuracy)
  - 32 kHz oscillator for RTC with calibration
  - Internal 32 kHz RC with calibration
- Low power
  - Sleep, Stop and Standby modes
  - V<sub>BAT</sub> supply for RTC, 20×32 bit backup registers + optional 4 KB backup SRAM
- 3×12-bit, 2.4 MSPS ADC: up to 24 channels and 7.2 MSPS in triple interleaved mode
- 2×12-bit D/A converters
- General-purpose DMA: 16-stream DMA controller with FIFOs and burst support
- Up to 17 timers: up to twelve 16-bit and two 32-bit timers up to 180 MHz, each with up to 4 IC/OC/PWM or pulse counter and quadrature (incremental) encoder input
- Debug mode
  - SWD & JTAG interfaces
  - Cortex-M4 Trace Macrocell™



- Up to 168 I/O ports with interrupt capability
  - Up to 164 fast I/Os up to 90 MHz
  - Up to 166 5 V-tolerant I/Os
- Up to 21 communication interfaces
  - Up to 3 × I<sup>2</sup>C interfaces (SMBus/PMBus)
  - Up to 4 USARTs/4 UARTs (11.25 Mbit/s, ISO7816 interface, LIN, IrDA, modem control)
  - Up to 6 SPIs (45 Mbits/s), 2 with muxed full-duplex I<sup>2</sup>S for audio class accuracy via internal audio PLL or external clock
  - 1 × SAI (serial audio interface)
  - 2 × CAN (2.0B Active) and SDIO interface
- Advanced connectivity
  - USB 2.0 full-speed device/host/OTG controller with on-chip PHY
  - USB 2.0 high-speed/full-speed device/host/OTG controller with dedicated DMA, on-chip full-speed PHY and ULPI
  - 10/100 Ethernet MAC with dedicated DMA: supports IEEE 1588v2 hardware, MII/RMII
- 8- to 14-bit parallel camera interface up to 54 Mbytes/s
- True random number generator
- CRC calculation unit
- RTC: subsecond accuracy, hardware calendar
- 96-bit unique ID

Table 1. Device summary

| Reference   | Part number  |
|-------------|--|
| STM32F427xx | STM32F427VG, STM32F427ZG, STM32F427IG, STM32F427AG, STM32F427VI, STM32F427ZI, STM32F427II, STM32F427AI   |
| STM32F429xx | STM32F429VG, STM32F429ZG, STM32F429IG, STM32F429BG, STM32F429NG, STM32F429AG, STM32F429VI, STM32F429ZI, STM32F429II,, STM32F429BI, STM32F429NI, STM32F429AI, STM32F429VE, STM32F429ZE, STM32F429IE, STM32F429BE, STM32F429NE |

# Contents

|          |   |           |
|----------|---|-----------|
| <b>1</b> | <b>Introduction</b>   | <b>12</b> |
| <b>2</b> | <b>Description</b>  | <b>13</b> |
| 2.1      | Full compatibility throughout the family                                      | 16        |
| <b>3</b> | <b>Functional overview</b>  | <b>19</b> |
| 3.1      | ARM <sup>®</sup> Cortex <sup>®</sup> -M4 with FPU and embedded Flash and SRAM | 19        |
| 3.2      | Adaptive real-time memory accelerator (ART Accelerator <sup>™</sup> )         | 19        |
| 3.3      | Memory protection unit  | 19        |
| 3.4      | Embedded Flash memory   | 20        |
| 3.5      | CRC (cyclic redundancy check) calculation unit                                | 20        |
| 3.6      | Embedded SRAM   | 20        |
| 3.7      | Multi-AHB bus matrix  | 20        |
| 3.8      | DMA controller (DMA)  | 21        |
| 3.9      | Flexible memory controller (FMC)  | 22        |
| 3.10     | LCD-TFT controller (available only on STM32F429xx)                            | 22        |
| 3.11     | Chrom-ART Accelerator <sup>™</sup> (DMA2D)                                    | 23        |
| 3.12     | Nested vectored interrupt controller (NVIC)                                   | 23        |
| 3.13     | External interrupt/event controller (EXTI)                                    | 23        |
| 3.14     | Clocks and startup  | 23        |
| 3.15     | Boot modes  | 24        |
| 3.16     | Power supply schemes  | 24        |
| 3.17     | Power supply supervisor   | 24        |
| 3.17.1   | Internal reset ON   | 24        |
| 3.17.2   | Internal reset OFF  | 25        |
| 3.18     | Voltage regulator   | 26        |
| 3.18.1   | Regulator ON  | 26        |
| 3.18.2   | Regulator OFF   | 27        |
| 3.18.3   | Regulator ON/OFF and internal reset ON/OFF availability                       | 30        |
| 3.19     | Real-time clock (RTC), backup SRAM and backup registers                       | 30        |
| 3.20     | Low-power modes   | 31        |
| 3.21     | V <sub>BAT</sub> operation  | 32        |

|          |  |           |
|----------|--|-----------|
| 3.22     | Timers and watchdogs   | 32        |
| 3.22.1   | Advanced-control timers (TIM1, TIM8)                             | 34        |
| 3.22.2   | General-purpose timers (TIMx)                                    | 34        |
| 3.22.3   | Basic timers TIM6 and TIM7                                       | 34        |
| 3.22.4   | Independent watchdog   | 35        |
| 3.22.5   | Window watchdog  | 35        |
| 3.22.6   | SysTick timer  | 35        |
| 3.23     | Inter-integrated circuit interface (I <sup>2</sup> C)            | 35        |
| 3.24     | Universal synchronous/asynchronous receiver transmitters (USART) | 35        |
| 3.25     | Serial peripheral interface (SPI)                                | 36        |
| 3.26     | Inter-integrated sound (I <sup>2</sup> S)                        | 37        |
| 3.27     | Serial Audio interface (SAI1)                                    | 37        |
| 3.28     | Audio PLL (PLLI2S)   | 37        |
| 3.29     | Audio and LCD PLL(PLLSAI)  | 37        |
| 3.30     | Secure digital input/output interface (SDIO)                     | 38        |
| 3.31     | Ethernet MAC interface with dedicated DMA and IEEE 1588 support  | 38        |
| 3.32     | Controller area network (bxCAN)                                  | 38        |
| 3.33     | Universal serial bus on-the-go full-speed (OTG_FS)               | 39        |
| 3.34     | Universal serial bus on-the-go high-speed (OTG_HS)               | 39        |
| 3.35     | Digital camera interface (DCMI)                                  | 40        |
| 3.36     | Random number generator (RNG)                                    | 40        |
| 3.37     | General-purpose input/outputs (GPIOs)                            | 40        |
| 3.38     | Analog-to-digital converters (ADCs)                              | 40        |
| 3.39     | Temperature sensor   | 41        |
| 3.40     | Digital-to-analog converter (DAC)                                | 41        |
| 3.41     | Serial wire JTAG debug port (SWJ-DP)                             | 41        |
| 3.42     | Embedded Trace Macrocell™  | 41        |
| <b>4</b> | <b>Pinouts and pin description</b>                               | <b>43</b> |
| <b>5</b> | <b>Memory mapping</b>  | <b>84</b> |
| <b>6</b> | <b>Electrical characteristics</b>                                | <b>89</b> |
| 6.1      | Parameter conditions   | 89        |
| 6.1.1    | Minimum and maximum values                                       | 89        |

|        |   |     |
|--------|---|-----|
| 6.1.2  | Typical values  | 89  |
| 6.1.3  | Typical curves  | 89  |
| 6.1.4  | Loading capacitor   | 89  |
| 6.1.5  | Pin input voltage   | 89  |
| 6.1.6  | Power supply scheme   | 90  |
| 6.1.7  | Current consumption measurement                               | 91  |
| 6.2    | Absolute maximum ratings                                      | 91  |
| 6.3    | Operating conditions  | 93  |
| 6.3.1  | General operating conditions                                  | 93  |
| 6.3.2  | VCAP1/VCAP2 external capacitor                                | 96  |
| 6.3.3  | Operating conditions at power-up / power-down (regulator ON)  | 96  |
| 6.3.4  | Operating conditions at power-up / power-down (regulator OFF) | 96  |
| 6.3.5  | reset and power control block characteristics                 | 97  |
| 6.3.6  | Over-drive switching characteristics                          | 98  |
| 6.3.7  | Supply current characteristics                                | 98  |
| 6.3.8  | Wakeup time from low-power modes                              | 114 |
| 6.3.9  | External clock source characteristics                         | 115 |
| 6.3.10 | Internal clock source characteristics                         | 119 |
| 6.3.11 | PLL characteristics   | 121 |
| 6.3.12 | PLL spread spectrum clock generation (SSCG) characteristics   | 124 |
| 6.3.13 | Memory characteristics  | 126 |
| 6.3.14 | EMC characteristics   | 128 |
| 6.3.15 | Absolute maximum ratings (electrical sensitivity)             | 130 |
| 6.3.16 | I/O current injection characteristics                         | 130 |
| 6.3.17 | I/O port characteristics                                      | 131 |
| 6.3.18 | NRST pin characteristics                                      | 136 |
| 6.3.19 | TIM timer characteristics                                     | 137 |
| 6.3.20 | Communications interfaces                                     | 137 |
| 6.3.21 | 12-bit ADC characteristics                                    | 153 |
| 6.3.22 | Temperature sensor characteristics                            | 159 |
| 6.3.23 | V <sub>BAT</sub> monitoring characteristics                   | 159 |
| 6.3.24 | reference voltage   | 159 |
| 6.3.25 | DAC electrical characteristics                                | 160 |
| 6.3.26 | FMC characteristics   | 162 |
| 6.3.27 | Camera interface (DCMI) timing specifications                 | 187 |
| 6.3.28 | LCD-TFT controller (LTDC) characteristics                     | 188 |
| 6.3.29 | SD/SDIO MMC card host interface (SDIO) characteristics        | 190 |

---

|                   |  |            |
|-------------------|--|------------|
| 6.3.30            | RTC characteristics .....                                  | 191        |
| <b>7</b>          | <b>Package characteristics .....</b>                       | <b>192</b> |
| 7.1               | Package mechanical data .....                              | 192        |
| 7.2               | Thermal characteristics .....                              | 215        |
| <b>8</b>          | <b>Part numbering .....</b>                                | <b>216</b> |
| <b>Appendix A</b> | <b>Recommendations when using internal reset OFF .....</b> | <b>217</b> |
| A.1               | Operating conditions .....                                 | 217        |
| <b>Appendix B</b> | <b>Application block diagrams .....</b>                    | <b>218</b> |
| B.1               | USB OTG full speed (FS) interface solutions .....          | 218        |
| B.2               | USB OTG high speed (HS) interface solutions .....          | 220        |
| B.3               | Ethernet interface solutions .....                         | 221        |
| <b>9</b>          | <b>Revision history .....</b>                              | <b>223</b> |

## List of tables

|           |  |     |
|-----------|--|-----|
| Table 1.  | Device summary . . . . .   | 1   |
| Table 2.  | STM32F427xx and STM32F429xx features and peripheral counts . . . . .   | 14  |
| Table 3.  | Voltage regulator configuration mode versus device operating mode . . . . .  | 27  |
| Table 4.  | Regulator ON/OFF and internal reset ON/OFF availability . . . . .  | 30  |
| Table 5.  | Voltage regulator modes in stop mode . . . . .   | 31  |
| Table 6.  | Timer feature comparison . . . . .   | 33  |
| Table 7.  | Comparison of I2C analog and digital filters . . . . .   | 35  |
| Table 8.  | USART feature comparison . . . . .   | 36  |
| Table 9.  | Legend/abbreviations used in the pinout table . . . . .  | 51  |
| Table 10. | STM32F427xx and STM32F429xx pin and ball definitions . . . . .   | 51  |
| Table 11. | FMC pin definition . . . . .   | 70  |
| Table 12. | STM32F427xx and STM32F429xx alternate function mapping . . . . .   | 73  |
| Table 13. | STM32F427xx and STM32F429xx register boundary addresses . . . . .  | 85  |
| Table 14. | Voltage characteristics . . . . .  | 91  |
| Table 15. | Current characteristics . . . . .  | 92  |
| Table 16. | Thermal characteristics . . . . .  | 92  |
| Table 17. | General operating conditions . . . . .   | 93  |
| Table 18. | Limitations depending on the operating power supply range . . . . .  | 95  |
| Table 19. | VCAP1/VCAP2 operating conditions . . . . .   | 96  |
| Table 20. | Operating conditions at power-up / power-down (regulator ON) . . . . .   | 96  |
| Table 21. | Operating conditions at power-up / power-down (regulator OFF) . . . . .  | 96  |
| Table 22. | reset and power control block characteristics . . . . .  | 97  |
| Table 23. | Over-drive switching characteristics . . . . .   | 98  |
| Table 24. | Typical and maximum current consumption in Run mode, code with data processing<br>running from Flash memory (ART accelerator enabled except prefetch) or RAM . . . . .                 | 100 |
| Table 25. | Typical and maximum current consumption in Run mode, code with data processing<br>running from Flash memory (ART accelerator disabled) . . . . .                                       | 101 |
| Table 26. | Typical and maximum current consumption in Sleep mode . . . . .  | 102 |
| Table 27. | Typical and maximum current consumptions in Stop mode . . . . .  | 103 |
| Table 28. | Typical and maximum current consumptions in Standby mode . . . . .   | 103 |
| Table 29. | Typical and maximum current consumptions in V <sub>BAT</sub> mode . . . . .  | 104 |
| Table 30. | Typical current consumption in Run mode, code with data processing running from<br>Flash memory or RAM, regulator ON (ART accelerator enabled except prefetch),<br>VDD=1.7 V . . . . . | 106 |
| Table 31. | Typical current consumption in Run mode, code with data processing running<br>from Flash memory, regulator OFF (ART accelerator enabled except prefetch) . . . . .                     | 107 |
| Table 32. | Typical current consumption in Sleep mode, regulator ON, VDD=1.7 V . . . . .   | 108 |
| Table 33. | Typical current consumption in Sleep mode, regulator OFF . . . . .   | 109 |
| Table 34. | Switching output I/O current consumption . . . . .   | 110 |
| Table 35. | Peripheral current consumption . . . . .   | 112 |
| Table 36. | Low-power mode wakeup timings . . . . .  | 115 |
| Table 37. | High-speed external user clock characteristics . . . . .   | 116 |
| Table 38. | Low-speed external user clock characteristics . . . . .  | 116 |
| Table 39. | HSE 4-26 MHz oscillator characteristics . . . . .  | 118 |
| Table 40. | LSE oscillator characteristics (f <sub>LSE</sub> = 32.768 kHz) . . . . .   | 119 |
| Table 41. | HSI oscillator characteristics . . . . .   | 120 |
| Table 42. | LSI oscillator characteristics . . . . .   | 120 |
| Table 43. | Main PLL characteristics . . . . .   | 121 |

|           |   |     |
|-----------|---|-----|
| Table 44. | PLLI2S (audio PLL) characteristics                                    | 122 |
| Table 45. | PLLISAI (audio and LCD-TFT PLL) characteristics                       | 123 |
| Table 46. | SSCG parameters constraint  | 124 |
| Table 47. | Flash memory characteristics  | 126 |
| Table 48. | Flash memory programming  | 126 |
| Table 49. | Flash memory programming with $V_{PP}$                                | 127 |
| Table 50. | Flash memory endurance and data retention                             | 128 |
| Table 51. | EMS characteristics   | 128 |
| Table 52. | EMI characteristics   | 129 |
| Table 53. | ESD absolute maximum ratings  | 130 |
| Table 54. | Electrical sensitivities  | 130 |
| Table 55. | I/O current injection susceptibility                                  | 131 |
| Table 56. | I/O static characteristics  | 131 |
| Table 57. | Output voltage characteristics  | 134 |
| Table 58. | I/O AC characteristics  | 134 |
| Table 59. | NRST pin characteristics  | 136 |
| Table 60. | TIMx characteristics  | 137 |
| Table 61. | I <sup>2</sup> C characteristics                                      | 138 |
| Table 62. | SCL frequency ( $f_{PCLK1} = 42$ MHz, $V_{DD} = V_{DD\_I2C} = 3.3$ V) | 139 |
| Table 63. | SPI dynamic characteristics   | 140 |
| Table 64. | I <sup>2</sup> S dynamic characteristics                              | 143 |
| Table 65. | SAI characteristics   | 145 |
| Table 66. | USB OTG full speed startup time                                       | 147 |
| Table 67. | USB OTG full speed DC electrical characteristics                      | 147 |
| Table 68. | USB OTG full speed electrical characteristics                         | 148 |
| Table 69. | USB HS DC electrical characteristics                                  | 148 |
| Table 70. | USB HS clock timing parameters  | 149 |
| Table 71. | Dynamic characteristics: USB ULPI                                     | 150 |
| Table 72. | Ethernet DC electrical characteristics                                | 151 |
| Table 73. | Dynamics characteristics: Ethernet MAC signals for SMI                | 151 |
| Table 74. | Dynamics characteristics: Ethernet MAC signals for RMII               | 152 |
| Table 75. | Dynamics characteristics: Ethernet MAC signals for MII                | 153 |
| Table 76. | ADC characteristics   | 153 |
| Table 77. | ADC static accuracy at $f_{ADC} = 18$ MHz                             | 155 |
| Table 78. | ADC static accuracy at $f_{ADC} = 30$ MHz                             | 155 |
| Table 79. | ADC static accuracy at $f_{ADC} = 36$ MHz                             | 155 |
| Table 80. | ADC dynamic accuracy at $f_{ADC} = 18$ MHz - limited test conditions  | 156 |
| Table 81. | ADC dynamic accuracy at $f_{ADC} = 36$ MHz - limited test conditions  | 156 |
| Table 82. | Temperature sensor characteristics                                    | 159 |
| Table 83. | Temperature sensor calibration values                                 | 159 |
| Table 84. | $V_{BAT}$ monitoring characteristics                                  | 159 |
| Table 85. | internal reference voltage  | 159 |
| Table 86. | Internal reference voltage calibration values                         | 160 |
| Table 87. | DAC characteristics   | 160 |
| Table 88. | Asynchronous non-multiplexed SRAM/PSRAM/NOR -<br>read timings         | 163 |
| Table 89. | Asynchronous non-multiplexed SRAM/PSRAM/NOR read -<br>NWAIT timings   | 164 |
| Table 90. | Asynchronous non-multiplexed SRAM/PSRAM/NOR write timings             | 165 |
| Table 91. | Asynchronous non-multiplexed SRAM/PSRAM/NOR write -<br>NWAIT timings  | 166 |
| Table 92. | Asynchronous multiplexed PSRAM/NOR read timings                       | 167 |

|            |   |     |
|------------|---|-----|
| Table 93.  | Asynchronous multiplexed PSRAM/NOR read-NWAIT timings . . . . .                                       | 167 |
| Table 94.  | Asynchronous multiplexed PSRAM/NOR write timings . . . . .  | 168 |
| Table 95.  | Asynchronous multiplexed PSRAM/NOR write-NWAIT timings . . . . .                                      | 169 |
| Table 96.  | Synchronous multiplexed NOR/PSRAM read timings . . . . .  | 170 |
| Table 97.  | Synchronous multiplexed PSRAM write timings . . . . .   | 171 |
| Table 98.  | Synchronous non-multiplexed NOR/PSRAM read timings . . . . .  | 173 |
| Table 99.  | Synchronous non-multiplexed PSRAM write timings . . . . .   | 174 |
| Table 100. | Switching characteristics for PC Card/CF read and write cycles<br>in attribute/common space . . . . . | 179 |
| Table 101. | Switching characteristics for PC Card/CF read and write cycles<br>in I/O space . . . . .              | 180 |
| Table 102. | Switching characteristics for NAND Flash read cycles . . . . .  | 182 |
| Table 103. | Switching characteristics for NAND Flash write cycles . . . . .                                       | 183 |
| Table 104. | SDRAM read timings . . . . .  | 184 |
| Table 105. | LPSDR SDRAM read timings . . . . .  | 184 |
| Table 106. | SDRAM write timings . . . . .   | 186 |
| Table 107. | LPSDR SDRAM write timings . . . . .   | 186 |
| Table 108. | DCMI characteristics . . . . .  | 187 |
| Table 109. | LTDC characteristics . . . . .  | 188 |
| Table 110. | Dynamic characteristics: SD / MMC characteristics . . . . .   | 191 |
| Table 111. | RTC characteristics . . . . .   | 191 |
| Table 112. | LQPF100, 14 x 14 mm 100-pin low-profile quad flat package mechanical data . . . . .                   | 193 |
| Table 113. | WLCSP143, 0.4 mm pitch wafer level chip scale package mechanical data . . . . .                       | 197 |
| Table 114. | LQFP144, 20 x 20 mm, 144-pin low-profile quad flat package<br>mechanical data . . . . .               | 199 |
| Table 115. | LQFP176, 24 x 24 mm, 176-pin low-profile quad flat package<br>mechanical data . . . . .               | 202 |
| Table 116. | LQFP208, 28 x 28 mm, 208-pin low-profile quad flat package<br>mechanical data . . . . .               | 206 |
| Table 117. | UFBGA169 - ultra thin fine pitch ball grid array 7 × 7 × 0.6 mm<br>mechanical data . . . . .          | 209 |
| Table 118. | UFBGA176+25 - ultra thin fine pitch ball grid array 10 × 10 × 0.6 mm<br>mechanical data . . . . .     | 211 |
| Table 119. | TFBGA216 - thin fine pitch ball grid array 13 × 13 × 0.8mm<br>package mechanical data . . . . .       | 213 |
| Table 120. | Package thermal characteristics . . . . .   | 215 |
| Table 121. | Ordering information scheme . . . . .   | 216 |
| Table 122. | Limitations depending on the operating power supply range . . . . .                                   | 217 |
| Table 123. | Document revision history . . . . .   | 223 |

## List of figures

|            |   |     |
|------------|---|-----|
| Figure 1.  | Compatible board design STM32F10xx/STM32F2xx/STM32F4xx for LQFP100 package. . . . .   | 16  |
| Figure 2.  | Compatible board design between STM32F10xx/STM32F2xx/STM32F4xx for LQFP144 package. . . . .   | 17  |
| Figure 3.  | Compatible board design between STM32F2xx and STM32F4xx for LQFP176 and UFBGA176 packages . . . . .                                   | 17  |
| Figure 4.  | STM32F427xx and STM32F429xx block diagram . . . . .   | 18  |
| Figure 5.  | STM32F427xx and STM32F429xx Multi-AHB matrix . . . . .  | 21  |
| Figure 6.  | Power supply supervisor interconnection with internal reset OFF . . . . .   | 25  |
| Figure 7.  | PDR_ON control with internal reset OFF . . . . .  | 26  |
| Figure 8.  | Regulator OFF . . . . .   | 28  |
| Figure 9.  | Startup in regulator OFF: slow $V_{DD}$ slope<br>- power-down reset risen after $V_{CAP\_1}/V_{CAP\_2}$ stabilization . . . . .       | 29  |
| Figure 10. | Startup in regulator OFF mode: fast $V_{DD}$ slope<br>- power-down reset risen before $V_{CAP\_1}/V_{CAP\_2}$ stabilization . . . . . | 29  |
| Figure 11. | STM32F42x LQFP100 pinout . . . . .  | 43  |
| Figure 12. | STM32F42x WLCSP143 ballout . . . . .  | 44  |
| Figure 13. | STM32F42x LQFP144 pinout . . . . .  | 45  |
| Figure 14. | STM32F42x LQFP176 pinout . . . . .  | 46  |
| Figure 15. | STM32F42x LQFP208 pinout . . . . .  | 47  |
| Figure 16. | STM32F42x UFBGA169 ballout . . . . .  | 48  |
| Figure 17. | STM32F42x UFBGA176 ballout . . . . .  | 49  |
| Figure 18. | STM32F42x TFBGA216 ballout . . . . .  | 50  |
| Figure 19. | Memory map . . . . .  | 84  |
| Figure 20. | Pin loading conditions . . . . .  | 89  |
| Figure 21. | Pin input voltage . . . . .   | 89  |
| Figure 22. | Power supply scheme . . . . .   | 90  |
| Figure 23. | Current consumption measurement scheme . . . . .  | 91  |
| Figure 24. | External capacitor $C_{EXT}$ . . . . .  | 96  |
| Figure 25. | Typical $V_{BAT}$ current consumption (LSE and RTC ON/backup RAM OFF) . . . . .   | 104 |
| Figure 26. | Typical $V_{BAT}$ current consumption (LSE and RTC ON/backup RAM ON) . . . . .  | 105 |
| Figure 27. | High-speed external clock source AC timing diagram . . . . .  | 117 |
| Figure 28. | Low-speed external clock source AC timing diagram . . . . .   | 117 |
| Figure 29. | Typical application with an 8 MHz crystal . . . . .   | 118 |
| Figure 30. | Typical application with a 32.768 kHz crystal . . . . .   | 119 |
| Figure 31. | $LACC_{HSI}$ versus temperature . . . . .   | 120 |
| Figure 32. | $ACC_{LSI}$ versus temperature . . . . .  | 121 |
| Figure 33. | PLL output clock waveforms in center spread mode . . . . .  | 125 |
| Figure 34. | PLL output clock waveforms in down spread mode . . . . .  | 125 |
| Figure 35. | FT I/O input characteristics . . . . .  | 133 |
| Figure 36. | I/O AC characteristics definition . . . . .   | 136 |
| Figure 37. | Recommended NRST pin protection . . . . .   | 137 |
| Figure 38. | I <sup>2</sup> C bus AC waveforms and measurement circuit . . . . .   | 139 |
| Figure 39. | SPI timing diagram - slave mode and CPHA = 0 . . . . .  | 141 |
| Figure 40. | SPI timing diagram - slave mode and CPHA = 1 <sup>(1)</sup> . . . . .   | 142 |
| Figure 41. | SPI timing diagram - master mode <sup>(1)</sup> . . . . .   | 142 |
| Figure 42. | I <sup>2</sup> S slave timing diagram (Philips protocol) <sup>(1)</sup> . . . . .   | 144 |
| Figure 43. | I <sup>2</sup> S master timing diagram (Philips protocol) <sup>(1)</sup> . . . . .  | 144 |

|            |   |     |
|------------|---|-----|
| Figure 44. | SAI master timing waveforms . . . . .   | 146 |
| Figure 45. | SAI slave timing waveforms . . . . .  | 146 |
| Figure 46. | USB OTG full speed timings: definition of data signal rise and fall time . . . . .        | 148 |
| Figure 47. | ULPI timing diagram . . . . .   | 149 |
| Figure 48. | Ethernet SMI timing diagram . . . . .   | 151 |
| Figure 49. | Ethernet RMII timing diagram . . . . .  | 152 |
| Figure 50. | Ethernet MII timing diagram . . . . .   | 152 |
| Figure 51. | ADC accuracy characteristics . . . . .  | 157 |
| Figure 52. | Typical connection diagram using the ADC . . . . .  | 157 |
| Figure 53. | Power supply and reference decoupling ( $V_{REF+}$ not connected to $V_{DDA}$ ) . . . . . | 158 |
| Figure 54. | Power supply and reference decoupling ( $V_{REF+}$ connected to $V_{DDA}$ ) . . . . .     | 158 |
| Figure 55. | 12-bit buffered /non-buffered DAC . . . . .   | 162 |
| Figure 56. | Asynchronous non-multiplexed SRAM/PSRAM/NOR read waveforms . . . . .                      | 163 |
| Figure 57. | Asynchronous non-multiplexed SRAM/PSRAM/NOR write waveforms . . . . .                     | 165 |
| Figure 58. | Asynchronous multiplexed PSRAM/NOR read waveforms . . . . .                               | 166 |
| Figure 59. | Asynchronous multiplexed PSRAM/NOR write waveforms . . . . .                              | 168 |
| Figure 60. | Synchronous multiplexed NOR/PSRAM read timings . . . . .                                  | 170 |
| Figure 61. | Synchronous multiplexed PSRAM write timings . . . . .                                     | 171 |
| Figure 62. | Synchronous non-multiplexed NOR/PSRAM read timings . . . . .                              | 173 |
| Figure 63. | Synchronous non-multiplexed PSRAM write timings . . . . .                                 | 174 |
| Figure 64. | PC Card/CompactFlash controller waveforms for common memory read access . . . . .         | 176 |
| Figure 65. | PC Card/CompactFlash controller waveforms for common memory write access . . . . .        | 176 |
| Figure 66. | PC Card/CompactFlash controller waveforms for attribute memory<br>read access . . . . .   | 177 |
| Figure 67. | PC Card/CompactFlash controller waveforms for attribute memory<br>write access . . . . .  | 178 |
| Figure 68. | PC Card/CompactFlash controller waveforms for I/O space read access . . . . .             | 178 |
| Figure 69. | PC Card/CompactFlash controller waveforms for I/O space write access . . . . .            | 179 |
| Figure 70. | NAND controller waveforms for read access . . . . .                                       | 181 |
| Figure 71. | NAND controller waveforms for write access . . . . .                                      | 181 |
| Figure 72. | NAND controller waveforms for common memory read access . . . . .                         | 182 |
| Figure 73. | NAND controller waveforms for common memory write access . . . . .                        | 182 |
| Figure 74. | SDRAM read access waveforms (CL = 1) . . . . .  | 183 |
| Figure 75. | SDRAM write access waveforms . . . . .  | 185 |
| Figure 76. | DCMI timing diagram . . . . .   | 187 |
| Figure 77. | LCD-TFT horizontal timing diagram . . . . .   | 189 |
| Figure 78. | LCD-TFT vertical timing diagram . . . . .   | 189 |
| Figure 79. | SDIO high-speed mode . . . . .  | 190 |
| Figure 80. | SD default mode . . . . .   | 190 |
| Figure 81. | LQFP100, 14 x 14 mm 100-pin low-profile quad flat package outline . . . . .               | 192 |
| Figure 82. | LQFP100 recommended footprint . . . . .   | 194 |
| Figure 83. | LQFP100 marking (package top view) . . . . .  | 195 |
| Figure 84. | WLCSP143, 0.4 mm pitch wafer level chip scale package outline . . . . .                   | 196 |
| Figure 85. | WLCSP143 marking (package top view) . . . . .   | 198 |
| Figure 86. | LQFP144, 20 x 20 mm, 144-pin low-profile quad flat package outline . . . . .              | 199 |
| Figure 87. | LQFP144 recommended footprint . . . . .   | 200 |
| Figure 88. | LQFP144 marking (package top view) . . . . .  | 201 |
| Figure 89. | LQFP176 24 x 24 mm, 176-pin low-profile quad flat package outline . . . . .               | 202 |
| Figure 90. | LQFP176 recommended footprint . . . . .   | 204 |
| Figure 91. | LQFP176 marking (package top view) . . . . .  | 205 |
| Figure 92. | LQFP208, 28 x 28 mm, 208-pin low-profile quad flat package outline . . . . .              | 206 |
| Figure 93. | LQFP208 recommended footprint . . . . .   | 207 |

---

|             |   |     |
|-------------|---|-----|
| Figure 94.  | LQFP208 marking (package top view) . . . . .  | 208 |
| Figure 95.  | UFBGA169 - ultra thin fine pitch ball grid array 7 x 7 mm, 0.6 mm,<br>package outline. . . . .      | 209 |
| Figure 96.  | UFBGA169 marking (package top view) . . . . .   | 210 |
| Figure 97.  | UFBGA176+25 - ultra thin fine pitch ball grid array 10 x 10 x 0.6 mm,<br>package outline. . . . .   | 211 |
| Figure 98.  | UFBGA176+25 marking (package top view) . . . . .  | 212 |
| Figure 99.  | TFBGA216 - thin fine pitch ball grid array 13 x 13 x 0.8mm,<br>package outline. . . . .             | 213 |
| Figure 100. | TFBGA176 marking (package top view). . . . .  | 214 |
| Figure 101. | USB controller configured as peripheral-only and used<br>in Full speed mode . . . . .               | 218 |
| Figure 102. | USB controller configured as host-only and used in full speed mode. . . . .                         | 218 |
| Figure 103. | USB controller configured in dual mode and used in full speed mode . . . . .                        | 219 |
| Figure 104. | USB controller configured as peripheral, host, or dual-mode<br>and used in high speed mode. . . . . | 220 |
| Figure 105. | MII mode using a 25 MHz crystal . . . . .   | 221 |
| Figure 106. | RMII with a 50 MHz oscillator . . . . .   | 221 |
| Figure 107. | RMII with a 25 MHz crystal and PHY with PLL. . . . .  | 222 |

# 1 Introduction

This datasheet provides the description of the STM32F427xx and STM32F429xx line of microcontrollers. For more details on the whole STMicroelectronics STM32 family, please refer to [Section 2.1: Full compatibility throughout the family](#).

The STM32F427xx and STM32F429xx datasheet should be read in conjunction with the STM32F4xx reference manual.

For information on the Cortex<sup>®</sup>-M4 core, please refer to the Cortex<sup>®</sup>-M4 programming manual (PM0214), available from the [www.st.com](http://www.st.com).

## 2 Description

The STM32F427xx and STM32F429xx devices are based on the high-performance ARM<sup>®</sup> Cortex<sup>®</sup>-M4 32-bit RISC core operating at a frequency of up to 180 MHz. The Cortex-M4 core features a Floating point unit (FPU) single precision which supports all ARM<sup>®</sup> single-precision data-processing instructions and data types. It also implements a full set of DSP instructions and a memory protection unit (MPU) which enhances application security.

The STM32F427xx and STM32F429xx devices incorporate high-speed embedded memories (Flash memory up to 2 Mbyte, up to 256 kbytes of SRAM), up to 4 Kbytes of backup SRAM, and an extensive range of enhanced I/Os and peripherals connected to two APB buses, two AHB buses and a 32-bit multi-AHB bus matrix.

All devices offer three 12-bit ADCs, two DACs, a low-power RTC, twelve general-purpose 16-bit timers including two PWM timers for motor control, two general-purpose 32-bit timers.

They also feature standard and advanced communication interfaces.

- Up to three I<sup>2</sup>Cs
- Six SPIs, two I<sup>2</sup>Ss full duplex. To achieve audio class accuracy, the I<sup>2</sup>S peripherals can be clocked via a dedicated internal audio PLL or via an external clock to allow synchronization.
- Four USARTs plus four UARTs
- An USB OTG full-speed and a USB OTG high-speed with full-speed capability (with the ULPI),
- Two CANs
- One SAI serial audio interface
- An SDIO/MMC interface
- Ethernet and camera interface
- LCD-TFT display controller
- Chrom-ART Accelerator™.

Advanced peripherals include an SDIO, a flexible memory control (FMC) interface, a camera interface for CMOS sensors. Refer to [Table 2: STM32F427xx and STM32F429xx features and peripheral counts](#) for the list of peripherals available on each part number.

The STM32F427xx and STM32F429xx devices operates in the –40 to +105 °C temperature range from a 1.7 to 3.6 V power supply.

The supply voltage can drop to 1.7 V with the use of an external power supply supervisor (refer to [Section 3.17.2: Internal reset OFF](#)). A comprehensive set of power-saving mode allows the design of low-power applications.

The STM32F427xx and STM32F429xx devices offer devices in 8 packages ranging from 100 pins to 216 pins. The set of included peripherals changes with the device chosen.

These features make the STM32F427xx and STM32F429xx microcontrollers suitable for a wide range of applications:

- Motor drive and application control
- Medical equipment
- Industrial applications: PLC, inverters, circuit breakers
- Printers, and scanners
- Alarm systems, video intercom, and HVAC
- Home audio appliances

*Figure 4* shows the general block diagram of the device family.

**Table 2. STM32F427xx and STM32F429xx features and peripheral counts**

| Peripherals             | STM32F427 Vx       |                   | STM32F429Vx |      |      | STM32F427 Zx |      | STM32F429Zx |      |      | STM32F427 Ax |      | STM32F429 Ax |      | STM32F427 lx |      | STM32F429lx |      |      | STM32F429Bx |      |      | STM32F429Nx |      |      |
|-------------------------|--------------------|-------------------|-------------|------|------|--------------|------|-------------|------|------|--------------|------|--------------|------|--------------|------|-------------|------|------|-------------|------|------|-------------|------|------|
|                         | 1024               | 2048              | 512         | 1024 | 2048 | 1024         | 2048 | 512         | 1024 | 2048 | 1024         | 2048 | 1024         | 2048 | 1024         | 2048 | 512         | 1024 | 2048 | 512         | 1024 | 2048 | 512         | 1024 | 2048 |
| Flash memory in Kbytes  | 1024               | 2048              | 512         | 1024 | 2048 | 1024         | 2048 | 512         | 1024 | 2048 | 1024         | 2048 | 1024         | 2048 | 1024         | 2048 | 512         | 1024 | 2048 | 512         | 1024 | 2048 | 512         | 1024 | 2048 |
| SRAM in Kbytes          | System             | 256(112+16+64+64) |             |      |      |              |      |             |      |      |              |      |              |      |              |      |             |      |      |             |      |      |             |      |      |
|                         | Backup             | 4                 |             |      |      |              |      |             |      |      |              |      |              |      |              |      |             |      |      |             |      |      |             |      |      |
| FMC memory controller   | Yes <sup>(1)</sup> |                   |             |      |      |              |      |             |      |      |              |      |              |      |              |      |             |      |      |             |      |      |             |      |      |
| Ethernet                | Yes                |                   |             |      |      |              |      |             |      |      |              |      |              |      |              |      |             |      |      |             |      |      |             |      |      |
| Timers                  | General-purpose    | 10                |             |      |      |              |      |             |      |      |              |      |              |      |              |      |             |      |      |             |      |      |             |      |      |
|                         | Advanced-control   | 2                 |             |      |      |              |      |             |      |      |              |      |              |      |              |      |             |      |      |             |      |      |             |      |      |
|                         | Basic              | 2                 |             |      |      |              |      |             |      |      |              |      |              |      |              |      |             |      |      |             |      |      |             |      |      |
| Random number generator | Yes                |                   |             |      |      |              |      |             |      |      |              |      |              |      |              |      |             |      |      |             |      |      |             |      |      |



**Table 2. STM32F427xx and STM32F429xx features and peripheral counts (continued)**

| Peripherals                   |                        | STM32F427 Vx   | STM32F429Vx | STM32F427 Zx        | STM32F429Zx | STM32F427 Ax            | STM32F429 Ax | STM32F427 lx        | STM32F429lx | STM32F429Bx | STM32F429Nx |
|-------------------------------|------------------------|--|-------------|---------------------|-------------|-------------------------|--------------|---------------------|-------------|-------------|-------------|
| Communication interfaces      | SPI / I <sup>2</sup> S | 6/2 (full duplex) <sup>(2)</sup>                     |             |                     |             |                         |              |                     |             |             |             |
|                               | I <sup>2</sup> C       | 3  |             |                     |             |                         |              |                     |             |             |             |
|                               | USART/ UART            | 4/4  |             |                     |             |                         |              |                     |             |             |             |
|                               | USB OTG FS             | Yes  |             |                     |             |                         |              |                     |             |             |             |
|                               | USB OTG HS             | Yes  |             |                     |             |                         |              |                     |             |             |             |
|                               | CAN                    | 2  |             |                     |             |                         |              |                     |             |             |             |
|                               | SAI                    | 1  |             |                     |             |                         |              |                     |             |             |             |
|                               | SDIO                   | Yes  |             |                     |             |                         |              |                     |             |             |             |
| Camera interface              |                        | Yes  |             |                     |             |                         |              |                     |             |             |             |
| LCD-TFT (STM32F429xx only)    |                        | No   | Yes         | No                  | Yes         | No                      | Yes          | No                  | Yes         |             |             |
| Chrom-ART Accelerator™        |                        | Yes  |             |                     |             |                         |              |                     |             |             |             |
| GPIOs                         |                        | 82   |             | 114                 |             | 130                     |              | 140                 |             | 168         |             |
| 12-bit ADC Number of channels |                        | 3  |             |                     |             |                         |              |                     |             |             |             |
|                               |                        | 16   |             | 24                  |             |                         |              |                     |             |             |             |
| 12-bit DAC Number of channels |                        | Yes<br>2   |             |                     |             |                         |              |                     |             |             |             |
| Maximum CPU frequency         |                        | 180 MHz  |             |                     |             |                         |              |                     |             |             |             |
| Operating voltage             |                        | 1.8 to 3.6 V <sup>(3)</sup>                          |             |                     |             |                         |              |                     |             |             |             |
| Operating temperatures        |                        | Ambient temperatures: -40 to +85 °C / -40 to +105 °C |             |                     |             |                         |              |                     |             |             |             |
|                               |                        | Junction temperature: -40 to + 125 °C                |             |                     |             |                         |              |                     |             |             |             |
| Packages                      |                        | LQFP100  |             | WLCSP143<br>LQFP144 |             | UFBGA169 <sup>(4)</sup> |              | UFBGA176<br>LQFP176 |             | LQFP208     | TFBGA216    |

1. For the LQFP100 package, only FMC Bank1 or Bank2 are available. Bank1 can only support a multiplexed NOR/PSRAM memory using the NE1 Chip Select. Bank2 can only support a 16- or 8-bit NAND Flash memory using the NCE2 Chip Select. The interrupt line cannot be used since Port G is not available in this package.
2. The SPI2 and SPI3 interfaces give the flexibility to work in an exclusive way in either the SPI mode or the I2S audio mode.
3.  $V_{DD}/V_{DDA}$  minimum value of 1.7 V is obtained when the device operates in reduced temperature range, and with the use of an external power supply supervisor (refer to [Section 3.17.2: Internal reset OFF](#)).
4. On UFBGA169, only SDRAM, NAND and multiplexed static memories are supported.

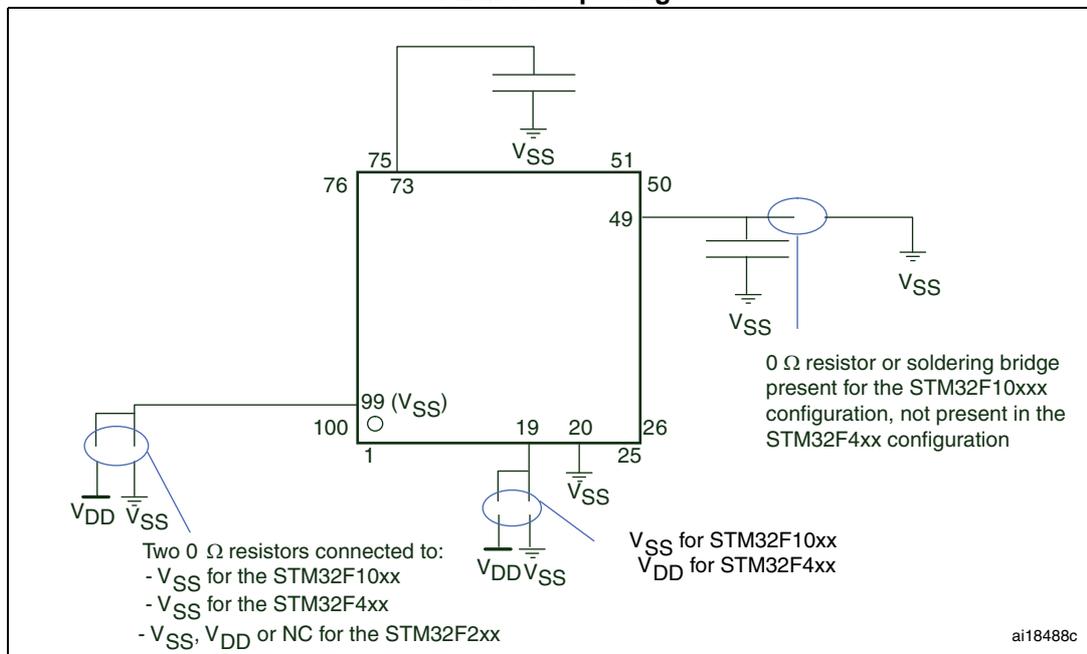
## 2.1 Full compatibility throughout the family

The STM32F427xx and STM32F429xx devices are part of the STM32F4 family. They are fully pin-to-pin, software and feature compatible with the STM32F2xx devices, allowing the user to try different memory densities, peripherals, and performances (FPU, higher frequency) for a greater degree of freedom during the development cycle.

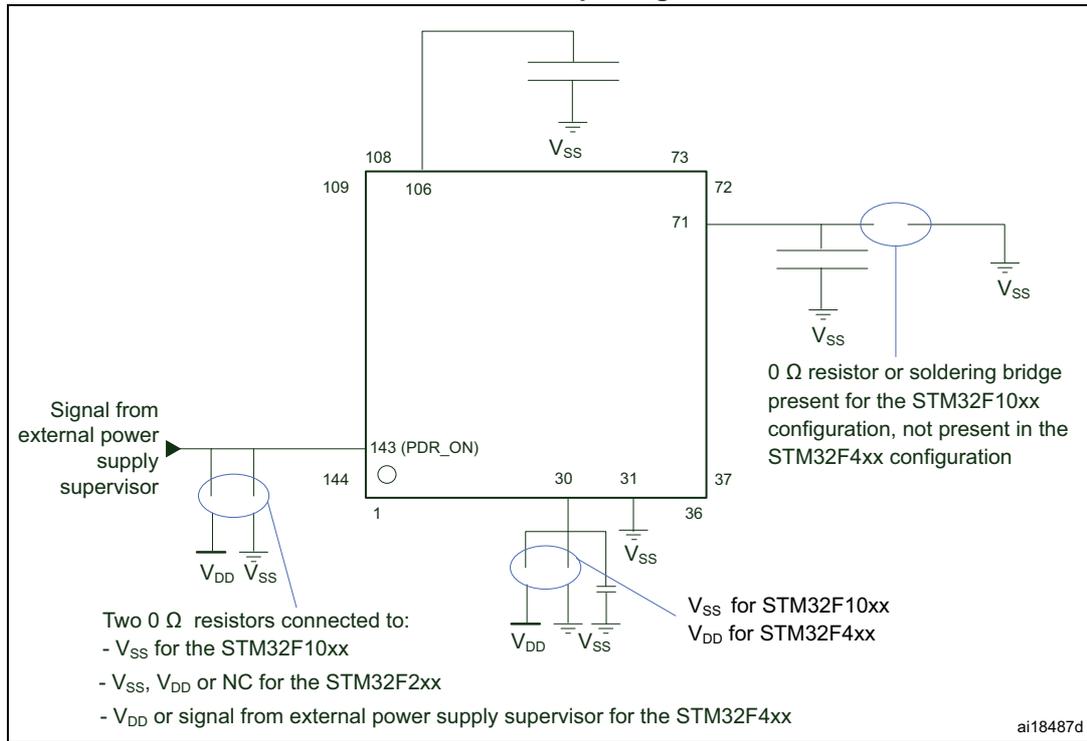
The STM32F427xx and STM32F429xx devices maintain a close compatibility with the whole STM32F10xx family. All functional pins are pin-to-pin compatible. The STM32F427xx and STM32F429xx, however, are not drop-in replacements for the STM32F10xx devices: the two families do not have the same power scheme, and so their power pins are different. Nonetheless, transition from the STM32F10xx to the STM32F42x family remains simple as only a few pins are impacted.

[Figure 1](#), [Figure 2](#), and [Figure 3](#), give compatible board designs between the STM32F4xx, STM32F2xx, and STM32F10xx families.

**Figure 1. Compatible board design STM32F10xx/STM32F2xx/STM32F4xx for LQFP100 package**



**Figure 2. Compatible board design between STM32F10xx/STM32F2xx/STM32F4xx for LQFP144 package**



**Figure 3. Compatible board design between STM32F2xx and STM32F4xx for LQFP176 and UFBGA176 packages**

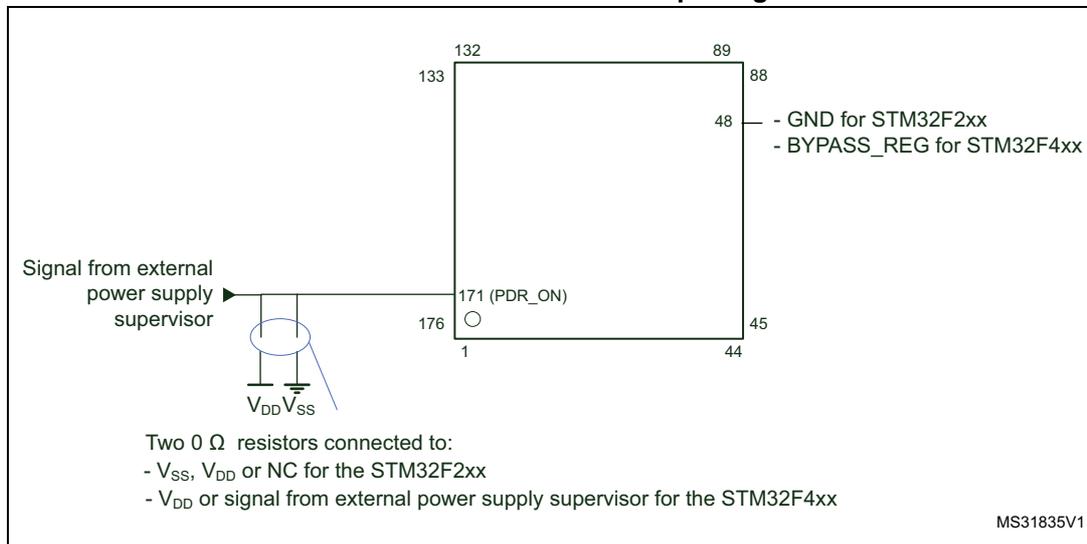
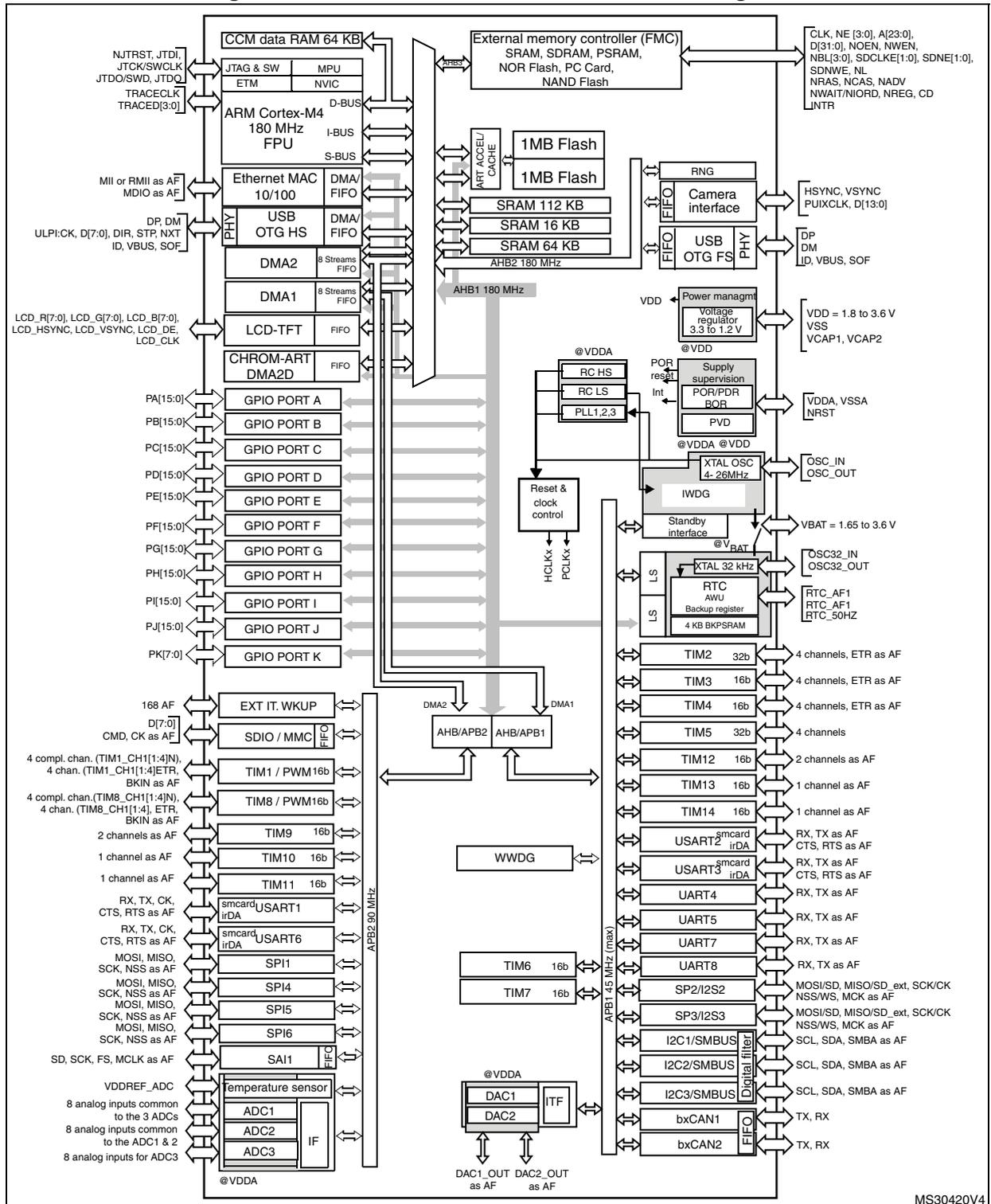


Figure 4. STM32F427xx and STM32F429xx block diagram



1. The timers connected to APB2 are clocked from TIMxCLK up to 180 MHz, while the timers connected to APB1 are clocked from TIMxCLK either up to 90 MHz or 180 MHz depending on TIMPRE bit configuration in the RCC\_DCKCFGR register.
2. The LCD-TFT is available only on STM32F429xx devices.

## 3 Functional overview

### 3.1 ARM<sup>®</sup> Cortex<sup>®</sup>-M4 with FPU and embedded Flash and SRAM

The ARM<sup>®</sup> Cortex<sup>®</sup>-M4 with FPU processor is the latest generation of ARM processors for embedded systems. It was developed to provide a low-cost platform that meets the needs of MCU implementation, with a reduced pin count and low-power consumption, while delivering outstanding computational performance and an advanced response to interrupts.

The ARM<sup>®</sup> Cortex<sup>®</sup>-M4 with FPU core is a 32-bit RISC processor that features exceptional code-efficiency, delivering the high-performance expected from an ARM core in the memory size usually associated with 8- and 16-bit devices.

The processor supports a set of DSP instructions which allow efficient signal processing and complex algorithm execution.

Its single precision FPU (floating point unit) speeds up software development by using metalanguage development tools, while avoiding saturation.

The STM32F42x family is compatible with all ARM tools and software.

*Figure 4* shows the general block diagram of the STM32F42x family.

*Note:* Cortex-M4 with FPU core is binary compatible with the Cortex-M3 core.

### 3.2 Adaptive real-time memory accelerator (ART Accelerator™)

The ART Accelerator™ is a memory accelerator which is optimized for STM32 industry-standard ARM<sup>®</sup> Cortex<sup>®</sup>-M4 with FPU processors. It balances the inherent performance advantage of the ARM<sup>®</sup> Cortex<sup>®</sup>-M4 with FPU over Flash memory technologies, which normally requires the processor to wait for the Flash memory at higher frequencies.

To release the processor full 225 DMIPS performance at this frequency, the accelerator implements an instruction prefetch queue and branch cache, which increases program execution speed from the 128-bit Flash memory. Based on CoreMark benchmark, the performance achieved thanks to the ART Accelerator is equivalent to 0 wait state program execution from Flash memory at a CPU frequency up to 180 MHz.

### 3.3 Memory protection unit

The memory protection unit (MPU) is used to manage the CPU accesses to memory to prevent one task to accidentally corrupt the memory or resources used by any other active task. This memory area is organized into up to 8 protected areas that can in turn be divided up into 8 subareas. The protection area sizes are between 32 bytes and the whole 4 gigabytes of addressable memory.

The MPU is especially helpful for applications where some critical or certified code has to be protected against the misbehavior of other tasks. It is usually managed by an RTOS (real-time operating system). If a program accesses a memory location that is prohibited by the MPU, the RTOS can detect it and take action. In an RTOS environment, the kernel can dynamically update the MPU area setting, based on the process to be executed.

The MPU is optional and can be bypassed for applications that do not need it.

### 3.4 Embedded Flash memory

The devices embed a Flash memory of up to 2 Mbytes available for storing programs and data.

### 3.5 CRC (cyclic redundancy check) calculation unit

The CRC (cyclic redundancy check) calculation unit is used to get a CRC code from a 32-bit data word and a fixed generator polynomial.

Among other applications, CRC-based techniques are used to verify data transmission or storage integrity. In the scope of the EN/IEC 60335-1 standard, they offer a means of verifying the Flash memory integrity. The CRC calculation unit helps compute a software signature during runtime, to be compared with a reference signature generated at link-time and stored at a given memory location.

### 3.6 Embedded SRAM

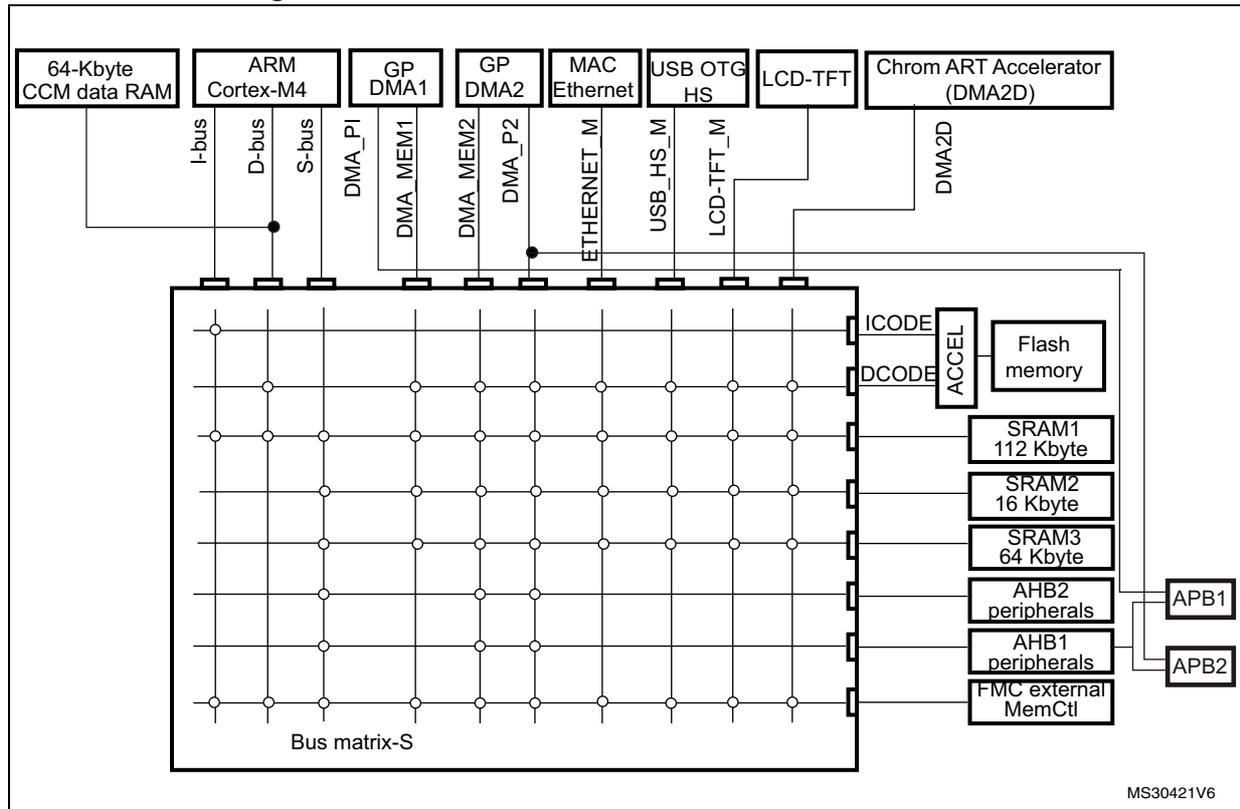
All devices embed:

- Up to 256Kbytes of system SRAM including 64 Kbytes of CCM (core coupled memory) data RAM  
RAM memory is accessed (read/write) at CPU clock speed with 0 wait states.
- 4 Kbytes of backup SRAM  
This area is accessible only from the CPU. Its content is protected against possible unwanted write accesses, and is retained in Standby or VBAT mode.

### 3.7 Multi-AHB bus matrix

The 32-bit multi-AHB bus matrix interconnects all the masters (CPU, DMAs, Ethernet, USB HS, LCD-TFT, and DMA2D) and the slaves (Flash memory, RAM, FMC, AHB and APB peripherals) and ensures a seamless and efficient operation even when several high-speed peripherals work simultaneously.

Figure 5. STM32F427xx and STM32F429xx Multi-AHB matrix



### 3.8 DMA controller (DMA)

The devices feature two general-purpose dual-port DMAs (DMA1 and DMA2) with 8 streams each. They are able to manage memory-to-memory, peripheral-to-memory and memory-to-peripheral transfers. They feature dedicated FIFOs for APB/AHB peripherals, support burst transfer and are designed to provide the maximum peripheral bandwidth (AHB/APB).

The two DMA controllers support circular buffer management, so that no specific code is needed when the controller reaches the end of the buffer. The two DMA controllers also have a double buffering feature, which automates the use and switching of two memory buffers without requiring any special code.

Each stream is connected to dedicated hardware DMA requests, with support for software trigger on each stream. Configuration is made by software and transfer sizes between source and destination are independent.

The DMA can be used with the main peripherals:

- SPI and I<sup>2</sup>S
- I<sup>2</sup>C
- USART
- General-purpose, basic and advanced-control timers TIMx
- DAC
- SDIO
- Camera interface (DCMI)
- ADC
- SAI1.

### 3.9 Flexible memory controller (FMC)

All devices embed an FMC. It has four Chip Select outputs supporting the following modes: PCCard/Compact Flash, SDRAM/LPSDR SDRAM, SRAM, PSRAM, NOR Flash and NAND Flash.

Functionality overview:

- 8-, 16-, 32-bit data bus width
- Read FIFO for SDRAM controller
- Write FIFO
- Maximum FMC\_CLK/FMC\_SDCLK frequency for synchronous accesses is 90 MHz.

#### LCD parallel interface

The FMC can be configured to interface seamlessly with most graphic LCD controllers. It supports the Intel 8080 and Motorola 6800 modes, and is flexible enough to adapt to specific LCD interfaces. This LCD parallel interface capability makes it easy to build cost-effective graphic applications using LCD modules with embedded controllers or high performance solutions using external controllers with dedicated acceleration.

### 3.10 LCD-TFT controller (available only on STM32F429xx)

The LCD-TFT display controller provides a 24-bit parallel digital RGB (Red, Green, Blue) and delivers all signals to interface directly to a broad range of LCD and TFT panels up to XGA (1024x768) resolution with the following features:

- 2 displays layers with dedicated FIFO (64x32-bit)
- Color Look-Up table (CLUT) up to 256 colors (256x24-bit) per layer
- Up to 8 Input color formats selectable per layer
- Flexible blending between two layers using alpha value (per pixel or constant)
- Flexible programmable parameters for each layer
- Color keying (transparency color)
- Up to 4 programmable interrupt events.

### 3.11 Chrom-ART Accelerator™ (DMA2D)

The Chrom-Art Accelerator™ (DMA2D) is a graphic accelerator which offers advanced bit blitting, row data copy and pixel format conversion. It supports the following functions:

- Rectangle filling with a fixed color
- Rectangle copy
- Rectangle copy with pixel format conversion
- Rectangle composition with blending and pixel format conversion.

Various image format coding are supported, from indirect 4bpp color mode up to 32bpp direct color. It embeds dedicated memory to store color lookup tables.

An interrupt can be generated when an operation is complete or at a programmed watermark.

All the operations are fully automatized and are running independently from the CPU or the DMAs.

### 3.12 Nested vectored interrupt controller (NVIC)

The devices embed a nested vectored interrupt controller able to manage 16 priority levels, and handle up to 91 maskable interrupt channels plus the 16 interrupt lines of the Cortex®-M4 with FPU core.

- Closely coupled NVIC gives low-latency interrupt processing
- Interrupt entry vector table address passed directly to the core
- Allows early processing of interrupts
- Processing of late arriving, higher-priority interrupts
- Support tail chaining
- Processor state automatically saved
- Interrupt entry restored on interrupt exit with no instruction overhead

This hardware block provides flexible interrupt management features with minimum interrupt latency.

### 3.13 External interrupt/event controller (EXTI)

The external interrupt/event controller consists of 23 edge-detector lines used to generate interrupt/event requests. Each line can be independently configured to select the trigger event (rising edge, falling edge, both) and can be masked independently. A pending register maintains the status of the interrupt requests. The EXTI can detect an external line with a pulse width shorter than the Internal APB2 clock period. Up to 168 GPIOs can be connected to the 16 external interrupt lines.

### 3.14 Clocks and startup

On reset the 16 MHz internal RC oscillator is selected as the default CPU clock. The 16 MHz internal RC oscillator is factory-trimmed to offer 1% accuracy over the full temperature range. The application can then select as system clock either the RC oscillator or an external 4-26 MHz clock source. This clock can be monitored for failure. If a failure is

detected, the system automatically switches back to the internal RC oscillator and a software interrupt is generated (if enabled). This clock source is input to a PLL thus allowing to increase the frequency up to 180 MHz. Similarly, full interrupt management of the PLL clock entry is available when necessary (for example if an indirectly used external oscillator fails).

Several prescalers allow the configuration of the two AHB buses, the high-speed APB (APB2) and the low-speed APB (APB1) domains. The maximum frequency of the two AHB buses is 180 MHz while the maximum frequency of the high-speed APB domains is 90 MHz. The maximum allowed frequency of the low-speed APB domain is 45 MHz.

The devices embed a dedicated PLL (PLL12S) and PLLSAI which allows to achieve audio class performance. In this case, the I<sup>2</sup>S master clock can generate all standard sampling frequencies from 8 kHz to 192 kHz.

### 3.15 Boot modes

At startup, boot pins are used to select one out of three boot options:

- Boot from user Flash
- Boot from system memory
- Boot from embedded SRAM

The boot loader is located in system memory. It is used to reprogram the Flash memory through a serial interface. Refer to application note AN2606 for details.

### 3.16 Power supply schemes

- $V_{DD} = 1.7$  to  $3.6$  V: external power supply for I/Os and the internal regulator (when enabled), provided externally through  $V_{DD}$  pins.
- $V_{SSA}, V_{DDA} = 1.7$  to  $3.6$  V: external analog power supplies for ADC, DAC, Reset blocks, RCs and PLL.  $V_{DDA}$  and  $V_{SSA}$  must be connected to  $V_{DD}$  and  $V_{SS}$ , respectively.
- $V_{BAT} = 1.65$  to  $3.6$  V: power supply for RTC, external clock 32 kHz oscillator and backup registers (through power switch) when  $V_{DD}$  is not present.

*Note:*  $V_{DD}/V_{DDA}$  minimum value of 1.7 V is obtained with the use of an external power supply supervisor (refer to [Section 3.17.2: Internal reset OFF](#)). Refer to [Table 3: Voltage regulator configuration mode versus device operating mode](#) to identify the packages supporting this option.

### 3.17 Power supply supervisor

#### 3.17.1 Internal reset ON

On packages embedding the PDR\_ON pin, the power supply supervisor is enabled by holding PDR\_ON high. On the other package, the power supply supervisor is always enabled.

The device has an integrated power-on reset (POR)/ power-down reset (PDR) circuitry coupled with a Brownout reset (BOR) circuitry. At power-on, POR/PDR is always active and ensures proper operation starting from 1.8 V. After the 1.8 V POR threshold level is

reached, the option byte loading process starts, either to confirm or modify default BOR thresholds, or to disable BOR permanently. Three BOR thresholds are available through option bytes. The device remains in reset mode when  $V_{DD}$  is below a specified threshold,  $V_{POR/PDR}$  or  $V_{BOR}$ , without the need for an external reset circuit.

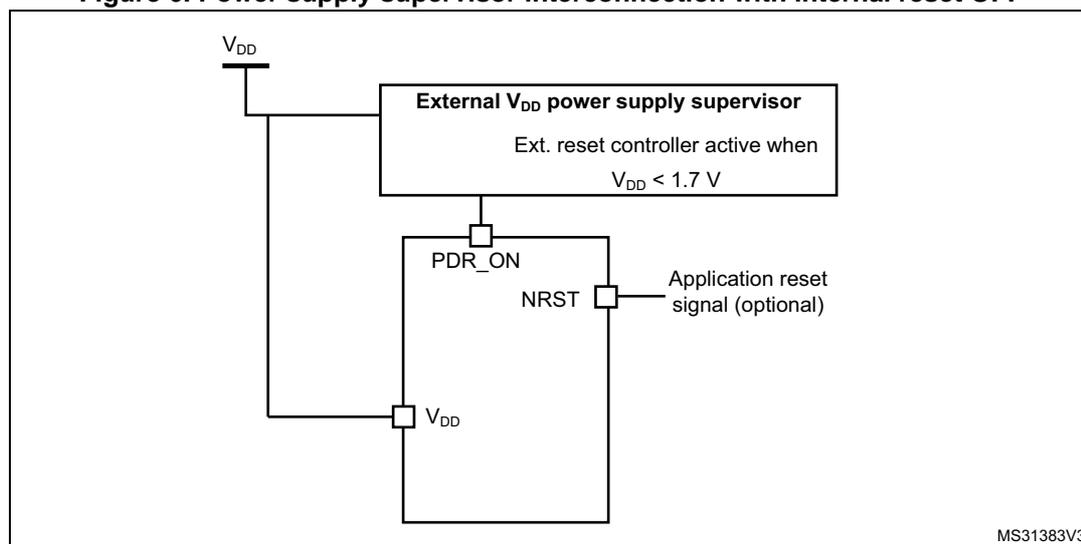
The device also features an embedded programmable voltage detector (PVD) that monitors the  $V_{DD}/V_{DDA}$  power supply and compares it to the  $V_{PVD}$  threshold. An interrupt can be generated when  $V_{DD}/V_{DDA}$  drops below the  $V_{PVD}$  threshold and/or when  $V_{DD}/V_{DDA}$  is higher than the  $V_{PVD}$  threshold. The interrupt service routine can then generate a warning message and/or put the MCU into a safe state. The PVD is enabled by software.

### 3.17.2 Internal reset OFF

This feature is available only on packages featuring the PDR\_ON pin. The internal power-on reset (POR) / power-down reset (PDR) circuitry is disabled through the PDR\_ON pin.

An external power supply supervisor should monitor  $V_{DD}$  and should maintain the device in reset mode as long as  $V_{DD}$  is below a specified threshold. PDR\_ON should be connected to this external power supply supervisor. Refer to [Figure 6: Power supply supervisor interconnection with internal reset OFF](#).

**Figure 6. Power supply supervisor interconnection with internal reset OFF**



The  $V_{DD}$  specified threshold, below which the device must be maintained under reset, is 1.7 V (see [Figure 7](#)).

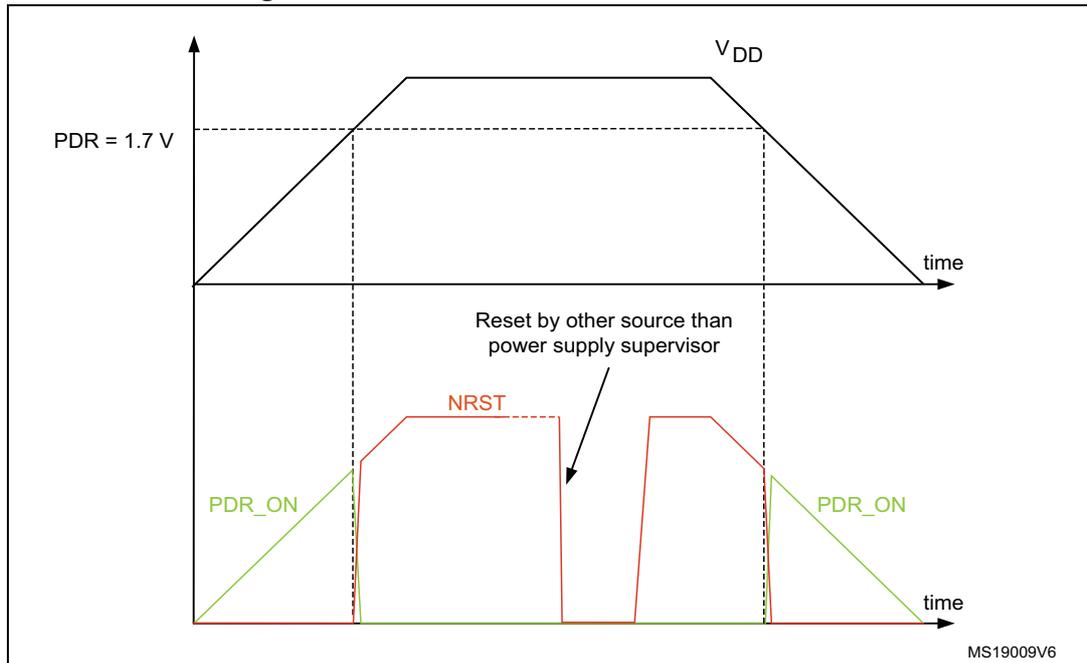
A comprehensive set of power-saving mode allows to design low-power applications.

When the internal reset is OFF, the following integrated features are no more supported:

- The integrated power-on reset (POR) / power-down reset (PDR) circuitry is disabled
- The brownout reset (BOR) circuitry must be disabled
- The embedded programmable voltage detector (PVD) is disabled
- $V_{BAT}$  functionality is no more available and  $V_{BAT}$  pin should be connected to  $V_{DD}$ .

All packages, except for the LQFP100, allow to disable the internal reset through the PDR\_ON signal.

Figure 7. PDR\_ON control with internal reset OFF



### 3.18 Voltage regulator

The regulator has four operating modes:

- Regulator ON
  - Main regulator mode (MR)
  - Low power regulator (LPR)
  - Power-down
- Regulator OFF

#### 3.18.1 Regulator ON

On packages embedding the `BYPASS_REG` pin, the regulator is enabled by holding `BYPASS_REG` low. On all other packages, the regulator is always enabled.

There are three power modes configured by software when the regulator is ON:

- MR mode used in Run/sleep modes or in Stop modes
  - In Run/Sleep mode
    - The MR mode is used either in the normal mode (default mode) or the over-drive mode (enabled by software). Different voltages scaling are provided to reach the best compromise between maximum frequency and dynamic power consumption.

The over-drive mode allows operating at a higher frequency than the normal mode for a given voltage scaling.

- In Stop modes
  - The MR can be configured in two ways during stop mode:
    - MR operates in normal mode (default mode of MR in stop mode)
    - MR operates in under-drive mode (reduced leakage mode).
- LPR is used in the Stop modes:
  - The LP regulator mode is configured by software when entering Stop mode. Like the MR mode, the LPR can be configured in two ways during stop mode:
    - LPR operates in normal mode (default mode when LPR is ON)
    - LPR operates in under-drive mode (reduced leakage mode).
- Power-down is used in Standby mode.
  - The Power-down mode is activated only when entering in Standby mode. The regulator output is in high impedance and the kernel circuitry is powered down, inducing zero consumption. The contents of the registers and SRAM are lost.

Refer to [Table 3](#) for a summary of voltage regulator modes versus device operating modes.

Two external ceramic capacitors should be connected on V<sub>CAP\_1</sub> and V<sub>CAP\_2</sub> pin. Refer to [Figure 22: Power supply scheme](#) and [Table 19: VCAP1/VCAP2 operating conditions](#).

All packages have the regulator ON feature.

**Table 3. Voltage regulator configuration mode versus device operating mode<sup>(1)</sup>**

| Voltage regulator configuration | Run mode | Sleep mode | Stop mode | Standby mode |
|---------------------------------|----------|------------|-----------|--------------|
| Normal mode                     | MR       | MR         | MR or LPR | -            |
| Over-drive mode <sup>(2)</sup>  | MR       | MR         | -         | -            |
| Under-drive mode                | -        | -          | MR or LPR | -            |
| Power-down mode                 | -        | -          | -         | Yes          |

1. '-' means that the corresponding configuration is not available.  
 2. The over-drive mode is not available when V<sub>DD</sub> = 1.7 to 2.1 V.

### 3.18.2 Regulator OFF

This feature is available only on packages featuring the BYPASS\_REG pin. The regulator is disabled by holding BYPASS\_REG high. The regulator OFF mode allows to supply externally a V<sub>12</sub> voltage source through V<sub>CAP\_1</sub> and V<sub>CAP\_2</sub> pins.

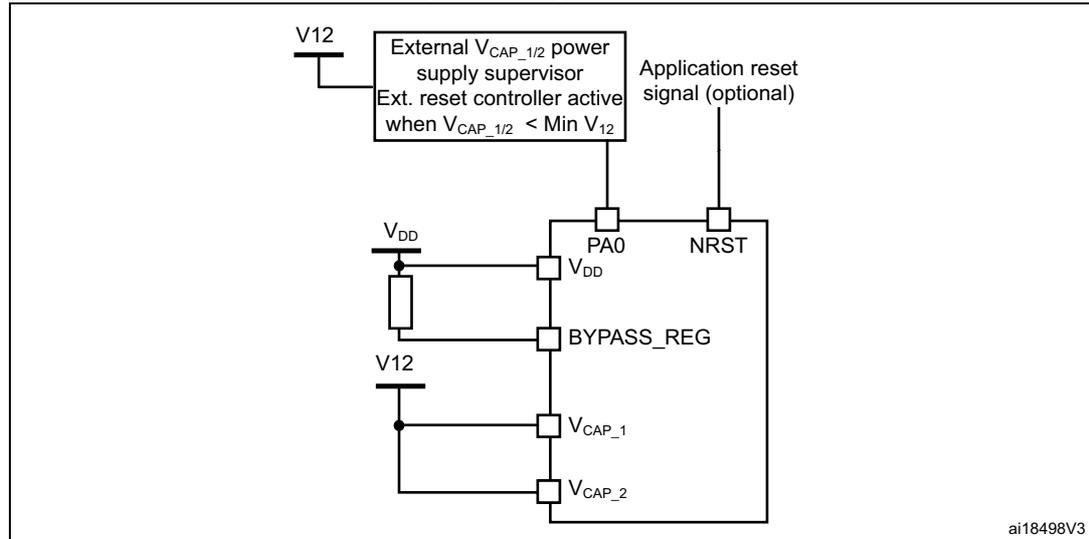
Since the internal voltage scaling is not managed internally, the external voltage value must be aligned with the targeted maximum frequency. Refer to [Table 17: General operating conditions](#). The two 2.2 μF ceramic capacitors should be replaced by two 100 nF decoupling capacitors. Refer to [Figure 22: Power supply scheme](#).

When the regulator is OFF, there is no more internal monitoring on V<sub>12</sub>. An external power supply supervisor should be used to monitor the V<sub>12</sub> of the logic power domain. PA0 pin should be used for this purpose, and act as power-on reset on V<sub>12</sub> power domain.

In regulator OFF mode, the following features are no more supported:

- PA0 cannot be used as a GPIO pin since it allows to reset a part of the  $V_{12}$  logic power domain which is not reset by the NRST pin.
- As long as PA0 is kept low, the debug mode cannot be used under power-on reset. As a consequence, PA0 and NRST pins must be managed separately if the debug connection under reset or pre-reset is required.
- The over-drive and under-drive modes are not available.
- The Standby mode is not available.

Figure 8. Regulator OFF

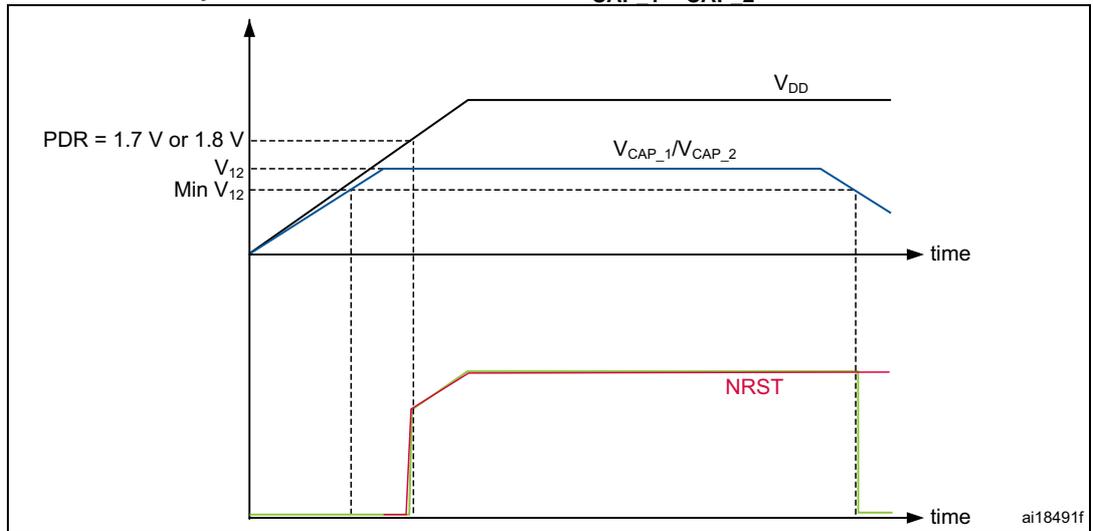


The following conditions must be respected:

- $V_{DD}$  should always be higher than  $V_{CAP\_1}$  and  $V_{CAP\_2}$  to avoid current injection between power domains.
- If the time for  $V_{CAP\_1}$  and  $V_{CAP\_2}$  to reach  $V_{12}$  minimum value is faster than the time for  $V_{DD}$  to reach 1.7 V, then PA0 should be kept low to cover both conditions: until  $V_{CAP\_1}$  and  $V_{CAP\_2}$  reach  $V_{12}$  minimum value and until  $V_{DD}$  reaches 1.7 V (see [Figure 9](#)).
- Otherwise, if the time for  $V_{CAP\_1}$  and  $V_{CAP\_2}$  to reach  $V_{12}$  minimum value is slower than the time for  $V_{DD}$  to reach 1.7 V, then PA0 could be asserted low externally (see [Figure 10](#)).
- If  $V_{CAP\_1}$  and  $V_{CAP\_2}$  go below  $V_{12}$  minimum value and  $V_{DD}$  is higher than 1.7 V, then a reset must be asserted on PA0 pin.

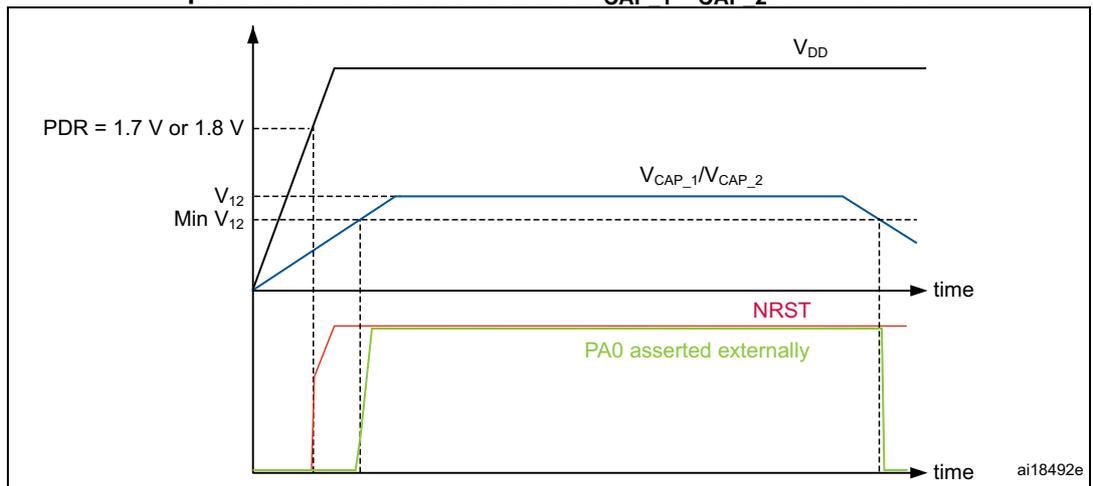
Note: The minimum value of  $V_{12}$  depends on the maximum frequency targeted in the application (see [Table 17: General operating conditions](#)).

**Figure 9. Startup in regulator OFF: slow  $V_{DD}$  slope - power-down reset risen after  $V_{CAP\_1}/V_{CAP\_2}$  stabilization**



1. This figure is valid whatever the internal reset mode (ON or OFF).

**Figure 10. Startup in regulator OFF mode: fast  $V_{DD}$  slope - power-down reset risen before  $V_{CAP\_1}/V_{CAP\_2}$  stabilization**



1. This figure is valid whatever the internal reset mode (ON or OFF).

### 3.18.3 Regulator ON/OFF and internal reset ON/OFF availability

Table 4. Regulator ON/OFF and internal reset ON/OFF availability

| Package   | Regulator ON                         | Regulator OFF                        | Internal reset ON                | Internal reset OFF  |
|---|--------------------------------------|--------------------------------------|----------------------------------|---|
| LQFP100   | Yes                                  | No                                   | Yes                              | No  |
| LQFP144   |                                      |                                      | Yes<br>PDR_ON set to<br>$V_{DD}$ | Yes<br>PDR_ON<br>connected to an<br>external power<br>supply supervisor |
| WLCSP143,<br>LQFP176,<br>UFBGA169,<br>UFBGA176,<br>LQFP208,<br>TFBGA216 | Yes<br>BYPASS_REG set<br>to $V_{SS}$ | Yes<br>BYPASS_REG set<br>to $V_{DD}$ |                                  |   |

### 3.19 Real-time clock (RTC), backup SRAM and backup registers

The backup domain includes:

- The real-time clock (RTC)
- 4 Kbytes of backup SRAM
- 20 backup registers

The real-time clock (RTC) is an independent BCD timer/counter. Dedicated registers contain the second, minute, hour (in 12/24 hour), week day, date, month, year, in BCD (binary-coded decimal) format. Correction for 28, 29 (leap year), 30, and 31 day of the month are performed automatically. The RTC provides a programmable alarm and programmable periodic interrupts with wakeup from Stop and Standby modes. The sub-seconds value is also available in binary format.

It is clocked by a 32.768 kHz external crystal, resonator or oscillator, the internal low-power RC oscillator or the high-speed external clock divided by 128. The internal low-speed RC has a typical frequency of 32 kHz. The RTC can be calibrated using an external 512 Hz output to compensate for any natural quartz deviation.

Two alarm registers are used to generate an alarm at a specific time and calendar fields can be independently masked for alarm comparison. To generate a periodic interrupt, a 16-bit programmable binary auto-reload downcounter with programmable resolution is available and allows automatic wakeup and periodic alarms from every 120  $\mu$ s to every 36 hours.

A 20-bit prescaler is used for the time base clock. It is by default configured to generate a time base of 1 second from a clock at 32.768 kHz.

The 4-Kbyte backup SRAM is an EEPROM-like memory area. It can be used to store data which need to be retained in VBAT and standby mode. This memory area is disabled by default to minimize power consumption (see [Section 3.20: Low-power modes](#)). It can be enabled by software.

The backup registers are 32-bit registers used to store 80 bytes of user application data when  $V_{DD}$  power is not present. Backup registers are not reset by a system, a power reset, or when the device wakes up from the Standby mode (see [Section 3.20: Low-power modes](#)).

Additional 32-bit registers contain the programmable alarm subseconds, seconds, minutes, hours, day, and date.

Like backup SRAM, the RTC and backup registers are supplied through a switch that is powered either from the  $V_{DD}$  supply when present or from the  $V_{BAT}$  pin.

## 3.20 Low-power modes

The devices support three low-power modes to achieve the best compromise between low power consumption, short startup time and available wakeup sources:

- **Sleep mode**

In Sleep mode, only the CPU is stopped. All peripherals continue to operate and can wake up the CPU when an interrupt/event occurs.

- **Stop mode**

The Stop mode achieves the lowest power consumption while retaining the contents of SRAM and registers. All clocks in the 1.2 V domain are stopped, the PLL, the HSI RC and the HSE crystal oscillators are disabled.

The voltage regulator can be put either in main regulator mode (MR) or in low-power mode (LPR). Both modes can be configured as follows (see [Table 5: Voltage regulator modes in stop mode](#)):

- Normal mode (default mode when MR or LPR is enabled)
- Under-drive mode.

The device can be woken up from the Stop mode by any of the EXTI line (the EXTI line source can be one of the 16 external lines, the PVD output, the RTC alarm / wakeup / tamper / time stamp events, the USB OTG FS/HS wakeup or the Ethernet wakeup).

**Table 5. Voltage regulator modes in stop mode**

| Voltage regulator configuration | Main regulator (MR)    | Low-power regulator (LPR) |
|---------------------------------|------------------------|---------------------------|
| Normal mode                     | MR ON                  | LPR ON                    |
| Under-drive mode                | MR in under-drive mode | LPR in under-drive mode   |

- **Standby mode**

The Standby mode is used to achieve the lowest power consumption. The internal voltage regulator is switched off so that the entire 1.2 V domain is powered off. The PLL, the HSI RC and the HSE crystal oscillators are also switched off. After entering Standby mode, the SRAM and register contents are lost except for registers in the backup domain and the backup SRAM when selected.

The device exits the Standby mode when an external reset (NRST pin), an IWDG reset, a rising edge on the WKUP pin, or an RTC alarm / wakeup / tamper /time stamp event occurs.

The standby mode is not supported when the embedded voltage regulator is bypassed and the 1.2 V domain is controlled by an external power.

### 3.21 $V_{BAT}$ operation

The  $V_{BAT}$  pin allows to power the device  $V_{BAT}$  domain from an external battery, an external supercapacitor, or from  $V_{DD}$  when no external battery and an external supercapacitor are present.

$V_{BAT}$  operation is activated when  $V_{DD}$  is not present.

The  $V_{BAT}$  pin supplies the RTC, the backup registers and the backup SRAM.

*Note:* When the microcontroller is supplied from  $V_{BAT}$ , external interrupts and RTC alarm/events do not exit it from  $V_{BAT}$  operation.

*When PDR\_ON pin is not connected to  $V_{DD}$  (Internal Reset OFF), the  $V_{BAT}$  functionality is no more available and  $V_{BAT}$  pin should be connected to  $V_{DD}$ .*

### 3.22 Timers and watchdogs

The devices include two advanced-control timers, eight general-purpose timers, two basic timers and two watchdog timers.

All timer counters can be frozen in debug mode.

[Table 6](#) compares the features of the advanced-control, general-purpose and basic timers.

Table 6. Timer feature comparison

| Timer type        | Timer        | Counter resolution | Counter type      | Prescaler factor                | DMA request generation          | Capture/compare channels | Complementary output | Max interface clock (MHz) | Max timer clock (MHz) <sup>(1)</sup> |
|-------------------|--------------|--------------------|-------------------|---------------------------------|---------------------------------|--------------------------|----------------------|---------------------------|--------------------------------------|
| Advanced -control | TIM1, TIM8   | 16-bit             | Up, Down, Up/down | Any integer between 1 and 65536 | Yes                             | 4                        | Yes                  | 90                        | 180                                  |
| General purpose   | TIM2, TIM5   | 32-bit             | Up, Down, Up/down | Any integer between 1 and 65536 | Yes                             | 4                        | No                   | 45                        | 90/180                               |
|                   | TIM3, TIM4   | 16-bit             | Up, Down, Up/down | Any integer between 1 and 65536 | Yes                             | 4                        | No                   | 45                        | 90/180                               |
|                   | TIM9         | 16-bit             | Up                | Any integer between 1 and 65536 | No                              | 2                        | No                   | 90                        | 180                                  |
|                   | TIM10, TIM11 | 16-bit             | Up                | Any integer between 1 and 65536 | No                              | 1                        | No                   | 90                        | 180                                  |
|                   | TIM12        | 16-bit             | Up                | Any integer between 1 and 65536 | No                              | 2                        | No                   | 45                        | 90/180                               |
|                   | TIM13, TIM14 | 16-bit             | Up                | Any integer between 1 and 65536 | No                              | 1                        | No                   | 45                        | 90/180                               |
|                   | Basic        | TIM6, TIM7         | 16-bit            | Up                              | Any integer between 1 and 65536 | Yes                      | 0                    | No                        | 45                                   |

1. The maximum timer clock is either 90 or 180 MHz depending on TIMPRE bit configuration in the RCC\_DCKCFGR register.

### 3.22.1 Advanced-control timers (TIM1, TIM8)

The advanced-control timers (TIM1, TIM8) can be seen as three-phase PWM generators multiplexed on 6 channels. They have complementary PWM outputs with programmable inserted dead times. They can also be considered as complete general-purpose timers. Their 4 independent channels can be used for:

- Input capture
- Output compare
- PWM generation (edge- or center-aligned modes)
- One-pulse mode output

If configured as standard 16-bit timers, they have the same features as the general-purpose TIMx timers. If configured as 16-bit PWM generators, they have full modulation capability (0-100%).

The advanced-control timer can work together with the TIMx timers via the Timer Link feature for synchronization or event chaining.

TIM1 and TIM8 support independent DMA request generation.

### 3.22.2 General-purpose timers (TIMx)

There are ten synchronizable general-purpose timers embedded in the STM32F42x devices (see [Table 6](#) for differences).

- **TIM2, TIM3, TIM4, TIM5**

The STM32F42x include 4 full-featured general-purpose timers: TIM2, TIM5, TIM3, and TIM4. The TIM2 and TIM5 timers are based on a 32-bit auto-reload up/downcounter and a 16-bit prescaler. The TIM3 and TIM4 timers are based on a 16-bit auto-reload up/downcounter and a 16-bit prescaler. They all feature 4 independent channels for input capture/output compare, PWM or one-pulse mode output. This gives up to 16 input capture/output compare/PWMs on the largest packages.

The TIM2, TIM3, TIM4, TIM5 general-purpose timers can work together, or with the other general-purpose timers and the advanced-control timers TIM1 and TIM8 via the Timer Link feature for synchronization or event chaining.

Any of these general-purpose timers can be used to generate PWM outputs.

TIM2, TIM3, TIM4, TIM5 all have independent DMA request generation. They are capable of handling quadrature (incremental) encoder signals and the digital outputs from 1 to 4 hall-effect sensors.

- **TIM9, TIM10, TIM11, TIM12, TIM13, and TIM14**

These timers are based on a 16-bit auto-reload upcounter and a 16-bit prescaler. TIM10, TIM11, TIM13, and TIM14 feature one independent channel, whereas TIM9 and TIM12 have two independent channels for input capture/output compare, PWM or one-pulse mode output. They can be synchronized with the TIM2, TIM3, TIM4, TIM5 full-featured general-purpose timers. They can also be used as simple time bases.

### 3.22.3 Basic timers TIM6 and TIM7

These timers are mainly used for DAC trigger and waveform generation. They can also be used as a generic 16-bit time base.

TIM6 and TIM7 support independent DMA request generation.

### 3.22.4 Independent watchdog

The independent watchdog is based on a 12-bit downcounter and 8-bit prescaler. It is clocked from an independent 32 kHz internal RC and as it operates independently from the main clock, it can operate in Stop and Standby modes. It can be used either as a watchdog to reset the device when a problem occurs, or as a free-running timer for application timeout management. It is hardware- or software-configurable through the option bytes.

### 3.22.5 Window watchdog

The window watchdog is based on a 7-bit downcounter that can be set as free-running. It can be used as a watchdog to reset the device when a problem occurs. It is clocked from the main clock. It has an early warning interrupt capability and the counter can be frozen in debug mode.

### 3.22.6 SysTick timer

This timer is dedicated to real-time operating systems, but could also be used as a standard downcounter. It features:

- A 24-bit downcounter
- Autoreload capability
- Maskable system interrupt generation when the counter reaches 0
- Programmable clock source.

## 3.23 Inter-integrated circuit interface ( I<sup>2</sup>C)

Up to three I<sup>2</sup>C bus interfaces can operate in multimaster and slave modes. They can support the standard (up to 100 KHz), and fast (up to 400 KHz) modes. They support the 7/10-bit addressing mode and the 7-bit dual addressing mode (as slave). A hardware CRC generation/verification is embedded.

They can be served by DMA and they support SMBus 2.0/PMBus.

The devices also include programmable analog and digital noise filters (see [Table 7](#)).

**Table 7. Comparison of I2C analog and digital filters**

|                                  | Analog filter | Digital filter   |
|----------------------------------|---------------|--|
| Pulse width of suppressed spikes | ≥ 50 ns       | Programmable length from 1 to 15 I2C peripheral clocks |

## 3.24 Universal synchronous/asynchronous receiver transmitters (USART)

The devices embed four universal synchronous/asynchronous receiver transmitters (USART1, USART2, USART3 and USART6) and four universal asynchronous receiver transmitters (UART4, UART5, UART7, and UART8).

These six interfaces provide asynchronous communication, IrDA SIR ENDEC support, multiprocessor communication mode, single-wire half-duplex communication mode and have LIN Master/Slave capability. The USART1 and USART6 interfaces are able to

communicate at speeds of up to 11.25 Mbit/s. The other available interfaces communicate at up to 5.62 bit/s.

USART1, USART2, USART3 and USART6 also provide hardware management of the CTS and RTS signals, Smart Card mode (ISO 7816 compliant) and SPI-like communication capability. All interfaces can be served by the DMA controller.

**Table 8. USART feature comparison<sup>(1)</sup>**

| USART name | Standard features | Modem (RTS/CTS) | LIN | SPI master | irDA | Smartcard (ISO 7816) | Max. baud rate in Mbit/s (oversampling by 16) | Max. baud rate in Mbit/s (oversampling by 8) | APB mapping        |
|------------|-------------------|-----------------|-----|------------|------|----------------------|---|--|--------------------|
| USART1     | X                 | X               | X   | X          | X    | X                    | 5.62  | 11.25  | APB2 (max. 90 MHz) |
| USART2     | X                 | X               | X   | X          | X    | X                    | 2.81  | 5.62   | APB1 (max. 45 MHz) |
| USART3     | X                 | X               | X   | X          | X    | X                    | 2.81  | 5.62   | APB1 (max. 45 MHz) |
| UART4      | X                 | -               | X   | -          | X    | -                    | 2.81  | 5.62   | APB1 (max. 45 MHz) |
| UART5      | X                 | -               | X   | -          | X    | -                    | 2.81  | 5.62   | APB1 (max. 45 MHz) |
| USART6     | X                 | X               | X   | X          | X    | X                    | 5.62  | 11.25  | APB2 (max. 90 MHz) |
| UART7      | X                 | -               | X   | -          | X    | -                    | 2.81  | 5.62   | APB1 (max. 45 MHz) |
| UART8      | X                 | -               | X   | -          | X    | -                    | 2.81  | 5.62   | APB1 (max. 45 MHz) |

1. X = feature supported.

### 3.25 Serial peripheral interface (SPI)

The devices feature up to six SPIs in slave and master modes in full-duplex and simplex communication modes. SPI1, SPI4, SPI5, and SPI6 can communicate at up to 45 Mbits/s, SPI2 and SPI3 can communicate at up to 22.5 Mbit/s. The 3-bit prescaler gives 8 master mode frequencies and the frame is configurable to 8 bits or 16 bits. The hardware CRC generation/verification supports basic SD Card/MMC modes. All SPIs can be served by the DMA controller.

The SPI interface can be configured to operate in TI mode for communications in master mode and slave mode.

### 3.26 Inter-integrated sound (I<sup>2</sup>S)

Two standard I<sup>2</sup>S interfaces (multiplexed with SPI2 and SPI3) are available. They can be operated in master or slave mode, in full duplex and simplex communication modes, and can be configured to operate with a 16-/32-bit resolution as an input or output channel. Audio sampling frequencies from 8 kHz up to 192 kHz are supported. When either or both of the I<sup>2</sup>S interfaces is/are configured in master mode, the master clock can be output to the external DAC/CODEC at 256 times the sampling frequency.

All I2Sx can be served by the DMA controller.

*Note:* For I2S2 full-duplex mode, I2S2\_CK and I2S2\_WS signals can be used only on GPIO Port B and GPIO Port D.

### 3.27 Serial Audio interface (SAI1)

The serial audio interface (SAI1) is based on two independent audio sub-blocks which can operate as transmitter or receiver with their FIFO. Many audio protocols are supported by each block: I2S standards, LSB or MSB-justified, PCM/DSP, TDM, AC'97 and SPDIF output, supporting audio sampling frequencies from 8 kHz up to 192 kHz. Both sub-blocks can be configured in master or in slave mode.

In master mode, the master clock can be output to the external DAC/CODEC at 256 times of the sampling frequency.

The two sub-blocks can be configured in synchronous mode when full-duplex mode is required.

SAI1 can be served by the DMA controller.

### 3.28 Audio PLL (PLLI2S)

The devices feature an additional dedicated PLL for audio I<sup>2</sup>S and SAI applications. It allows to achieve error-free I<sup>2</sup>S sampling clock accuracy without compromising on the CPU performance, while using USB peripherals.

The PLLI2S configuration can be modified to manage an I<sup>2</sup>S/SAI sample rate change without disabling the main PLL (PLL) used for CPU, USB and Ethernet interfaces.

The audio PLL can be programmed with very low error to obtain sampling rates ranging from 8 KHz to 192 KHz.

In addition to the audio PLL, a master clock input pin can be used to synchronize the I<sup>2</sup>S/SAI flow with an external PLL (or Codec output).

### 3.29 Audio and LCD PLL(PLLSAI)

An additional PLL dedicated to audio and LCD-TFT is used for SAI1 peripheral in case the PLLI2S is programmed to achieve another audio sampling frequency (49.152 MHz or 11.2896 MHz) and the audio application requires both sampling frequencies simultaneously.

The PLLSAI is also used to generate the LCD-TFT clock.

### 3.30 Secure digital input/output interface (SDIO)

An SD/SDIO/MMC host interface is available, that supports MultiMediaCard System Specification Version 4.2 in three different databus modes: 1-bit (default), 4-bit and 8-bit.

The interface allows data transfer at up to 48 MHz, and is compliant with the SD Memory Card Specification Version 2.0.

The SDIO Card Specification Version 2.0 is also supported with two different databus modes: 1-bit (default) and 4-bit.

The current version supports only one SD/SDIO/MMC4.2 card at any one time and a stack of MMC4.1 or previous.

In addition to SD/SDIO/MMC, this interface is fully compliant with the CE-ATA digital protocol Rev1.1.

### 3.31 Ethernet MAC interface with dedicated DMA and IEEE 1588 support

The devices provide an IEEE-802.3-2002-compliant media access controller (MAC) for ethernet LAN communications through an industry-standard medium-independent interface (MII) or a reduced medium-independent interface (RMII). The microcontroller requires an external physical interface device (PHY) to connect to the physical LAN bus (twisted-pair, fiber, etc.). The PHY is connected to the device MII port using 17 signals for MII or 9 signals for RMII, and can be clocked using the 25 MHz (MII) from the microcontroller.

The devices include the following features:

- Supports 10 and 100 Mbit/s rates
- Dedicated DMA controller allowing high-speed transfers between the dedicated SRAM and the descriptors (see the STM32F4xx reference manual for details)
- Tagged MAC frame support (VLAN support)
- Half-duplex (CSMA/CD) and full-duplex operation
- MAC control sublayer (control frames) support
- 32-bit CRC generation and removal
- Several address filtering modes for physical and multicast address (multicast and group addresses)
- 32-bit status code for each transmitted or received frame
- Internal FIFOs to buffer transmit and receive frames. The transmit FIFO and the receive FIFO are both 2 Kbytes.
- Supports hardware PTP (precision time protocol) in accordance with IEEE 1588 2008 (PTP V2) with the time stamp comparator connected to the TIM2 input
- Triggers interrupt when system time becomes greater than target time

### 3.32 Controller area network (bxCAN)

The two CANs are compliant with the 2.0A and B (active) specifications with a bitrate up to 1 Mbit/s. They can receive and transmit standard frames with 11-bit identifiers as well as extended frames with 29-bit identifiers. Each CAN has three transmit mailboxes, two receive

FIFOS with 3 stages and 28 shared scalable filter banks (all of them can be used even if one CAN is used). 256 bytes of SRAM are allocated for each CAN.

### 3.33 Universal serial bus on-the-go full-speed (OTG\_FS)

The devices embed an USB OTG full-speed device/host/OTG peripheral with integrated transceivers. The USB OTG FS peripheral is compliant with the USB 2.0 specification and with the OTG 1.0 specification. It has software-configurable endpoint setting and supports suspend/resume. The USB OTG full-speed controller requires a dedicated 48 MHz clock that is generated by a PLL connected to the HSE oscillator. The major features are:

- Combined Rx and Tx FIFO size of 320 × 35 bits with dynamic FIFO sizing
- Supports the session request protocol (SRP) and host negotiation protocol (HNP)
- 4 bidirectional endpoints
- 8 host channels with periodic OUT support
- HNP/SNP/IP inside (no need for any external resistor)
- For OTG/Host modes, a power switch is needed in case bus-powered devices are connected

### 3.34 Universal serial bus on-the-go high-speed (OTG\_HS)

The devices embed a USB OTG high-speed (up to 480 Mb/s) device/host/OTG peripheral. The USB OTG HS supports both full-speed and high-speed operations. It integrates the transceivers for full-speed operation (12 MB/s) and features a UTMI low-pin interface (ULPI) for high-speed operation (480 MB/s). When using the USB OTG HS in HS mode, an external PHY device connected to the ULPI is required.

The USB OTG HS peripheral is compliant with the USB 2.0 specification and with the OTG 1.0 specification. It has software-configurable endpoint setting and supports suspend/resume. The USB OTG full-speed controller requires a dedicated 48 MHz clock that is generated by a PLL connected to the HSE oscillator.

The major features are:

- Combined Rx and Tx FIFO size of 1 Kbit × 35 with dynamic FIFO sizing
- Supports the session request protocol (SRP) and host negotiation protocol (HNP)
- 6 bidirectional endpoints
- 12 host channels with periodic OUT support
- Internal FS OTG PHY support
- External HS or HS OTG operation supporting ULPI in SDR mode. The OTG PHY is connected to the microcontroller ULPI port through 12 signals. It can be clocked using the 60 MHz output.
- Internal USB DMA
- HNP/SNP/IP inside (no need for any external resistor)
- for OTG/Host modes, a power switch is needed in case bus-powered devices are connected

### 3.35 Digital camera interface (DCMI)

The devices embed a camera interface that can connect with camera modules and CMOS sensors through an 8-bit to 14-bit parallel interface, to receive video data. The camera interface can sustain a data transfer rate up to 54 Mbyte/s at 54 MHz. It features:

- Programmable polarity for the input pixel clock and synchronization signals
- Parallel data communication can be 8-, 10-, 12- or 14-bit
- Supports 8-bit progressive video monochrome or raw bayer format, YCbCr 4:2:2 progressive video, RGB 565 progressive video or compressed data (like JPEG)
- Supports continuous mode or snapshot (a single frame) mode
- Capability to automatically crop the image

### 3.36 Random number generator (RNG)

All devices embed an RNG that delivers 32-bit random numbers generated by an integrated analog circuit.

### 3.37 General-purpose input/outputs (GPIOs)

Each of the GPIO pins can be configured by software as output (push-pull or open-drain, with or without pull-up or pull-down), as input (floating, with or without pull-up or pull-down) or as peripheral alternate function. Most of the GPIO pins are shared with digital or analog alternate functions. All GPIOs are high-current-capable and have speed selection to better manage internal noise, power consumption and electromagnetic emission.

The I/O configuration can be locked if needed by following a specific sequence in order to avoid spurious writing to the I/Os registers.

Fast I/O handling allowing maximum I/O toggling up to 90 MHz.

### 3.38 Analog-to-digital converters (ADCs)

Three 12-bit analog-to-digital converters are embedded and each ADC shares up to 16 external channels, performing conversions in the single-shot or scan mode. In scan mode, automatic conversion is performed on a selected group of analog inputs.

Additional logic functions embedded in the ADC interface allow:

- Simultaneous sample and hold
- Interleaved sample and hold

The ADC can be served by the DMA controller. An analog watchdog feature allows very precise monitoring of the converted voltage of one, some or all selected channels. An interrupt is generated when the converted voltage is outside the programmed thresholds.

To synchronize A/D conversion and timers, the ADCs could be triggered by any of TIM1, TIM2, TIM3, TIM4, TIM5, or TIM8 timer.

### 3.39 Temperature sensor

The temperature sensor has to generate a voltage that varies linearly with temperature. The conversion range is between 1.7 V and 3.6 V. The temperature sensor is internally connected to the same input channel as  $V_{BAT}$ , ADC1\_IN18, which is used to convert the sensor output voltage into a digital value. When the temperature sensor and  $V_{BAT}$  conversion are enabled at the same time, only  $V_{BAT}$  conversion is performed.

As the offset of the temperature sensor varies from chip to chip due to process variation, the internal temperature sensor is mainly suitable for applications that detect temperature changes instead of absolute temperatures. If an accurate temperature reading is needed, then an external temperature sensor part should be used.

### 3.40 Digital-to-analog converter (DAC)

The two 12-bit buffered DAC channels can be used to convert two digital signals into two analog voltage signal outputs.

This dual digital Interface supports the following features:

- two DAC converters: one for each output channel
- 8-bit or 10-bit monotonic output
- left or right data alignment in 12-bit mode
- synchronized update capability
- noise-wave generation
- triangular-wave generation
- dual DAC channel independent or simultaneous conversions
- DMA capability for each channel
- external triggers for conversion
- input voltage reference  $V_{REF+}$

Eight DAC trigger inputs are used in the device. The DAC channels are triggered through the timer update outputs that are also connected to different DMA streams.

### 3.41 Serial wire JTAG debug port (SWJ-DP)

The ARM SWJ-DP interface is embedded, and is a combined JTAG and serial wire debug port that enables either a serial wire debug or a JTAG probe to be connected to the target.

Debug is performed using 2 pins only instead of 5 required by the JTAG (JTAG pins could be re-use as GPIO with alternate function): the JTAG TMS and TCK pins are shared with SWDIO and SWCLK, respectively, and a specific sequence on the TMS pin is used to switch between JTAG-DP and SW-DP.

### 3.42 Embedded Trace Macrocell™

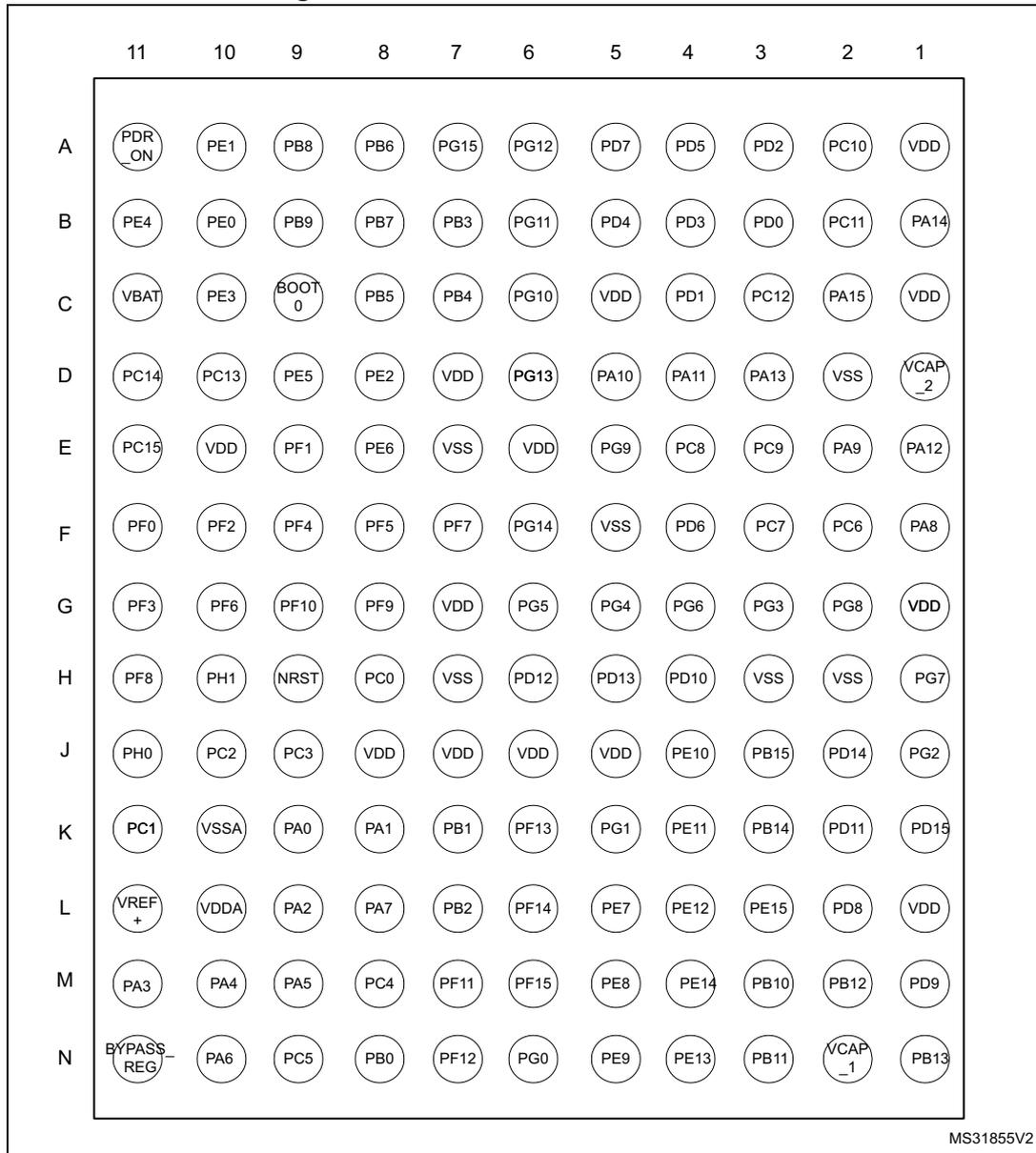
The ARM Embedded Trace Macrocell provides a greater visibility of the instruction and data flow inside the CPU core by streaming compressed data at a very high rate from the STM32F42x through a small number of ETM pins to an external hardware trace port analyzer (TPA) device. The TPA is connected to a host computer using USB, Ethernet, or

any other high-speed channel. Real-time instruction and data flow activity can be recorded and then formatted for display on the host computer that runs the debugger software. TPA hardware is commercially available from common development tool vendors.

The Embedded Trace Macrocell operates with third party debugger software tools.

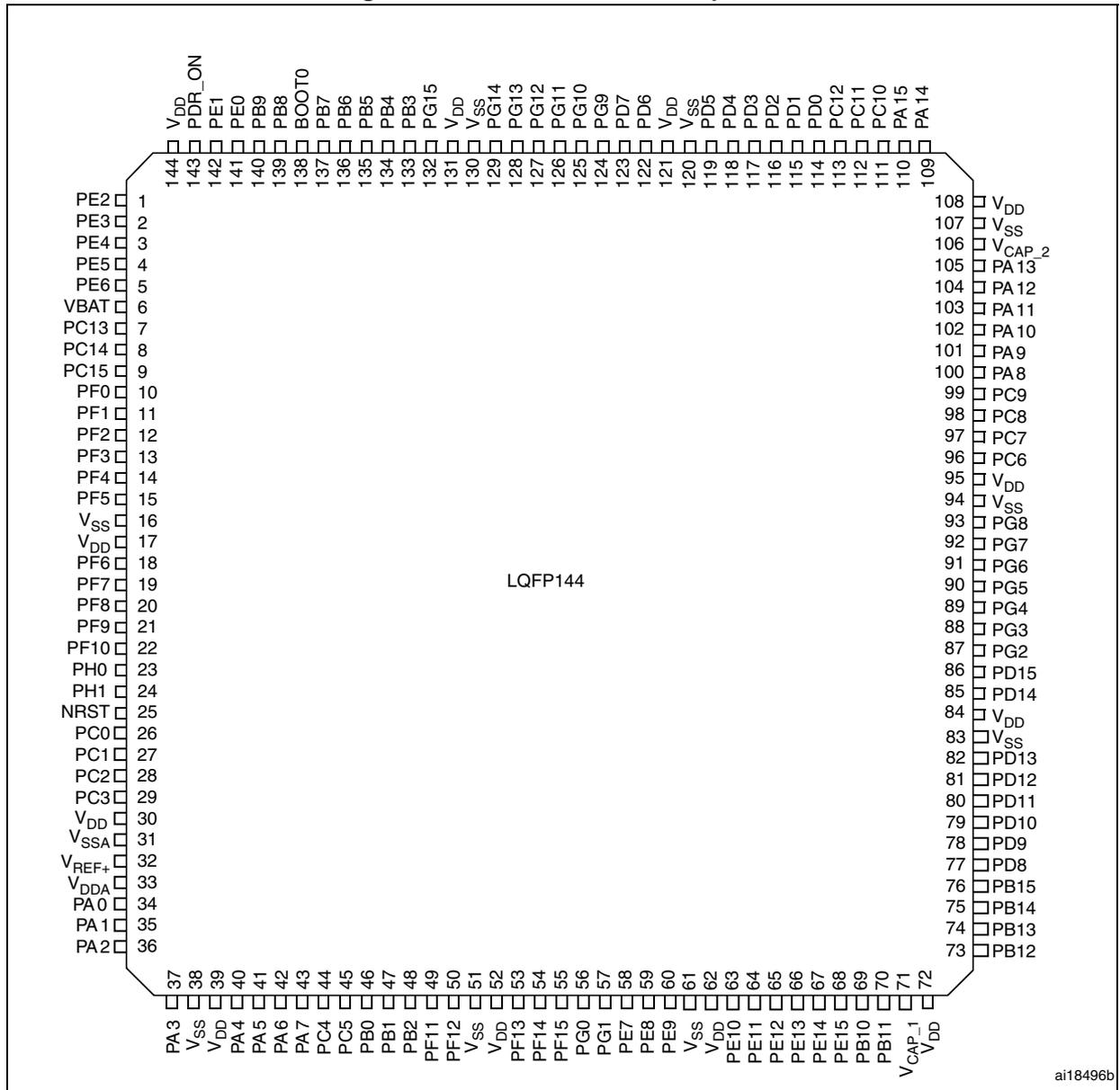


Figure 12. STM32F42x WLCSP143 ballout



1. The above figure shows the package bump view.

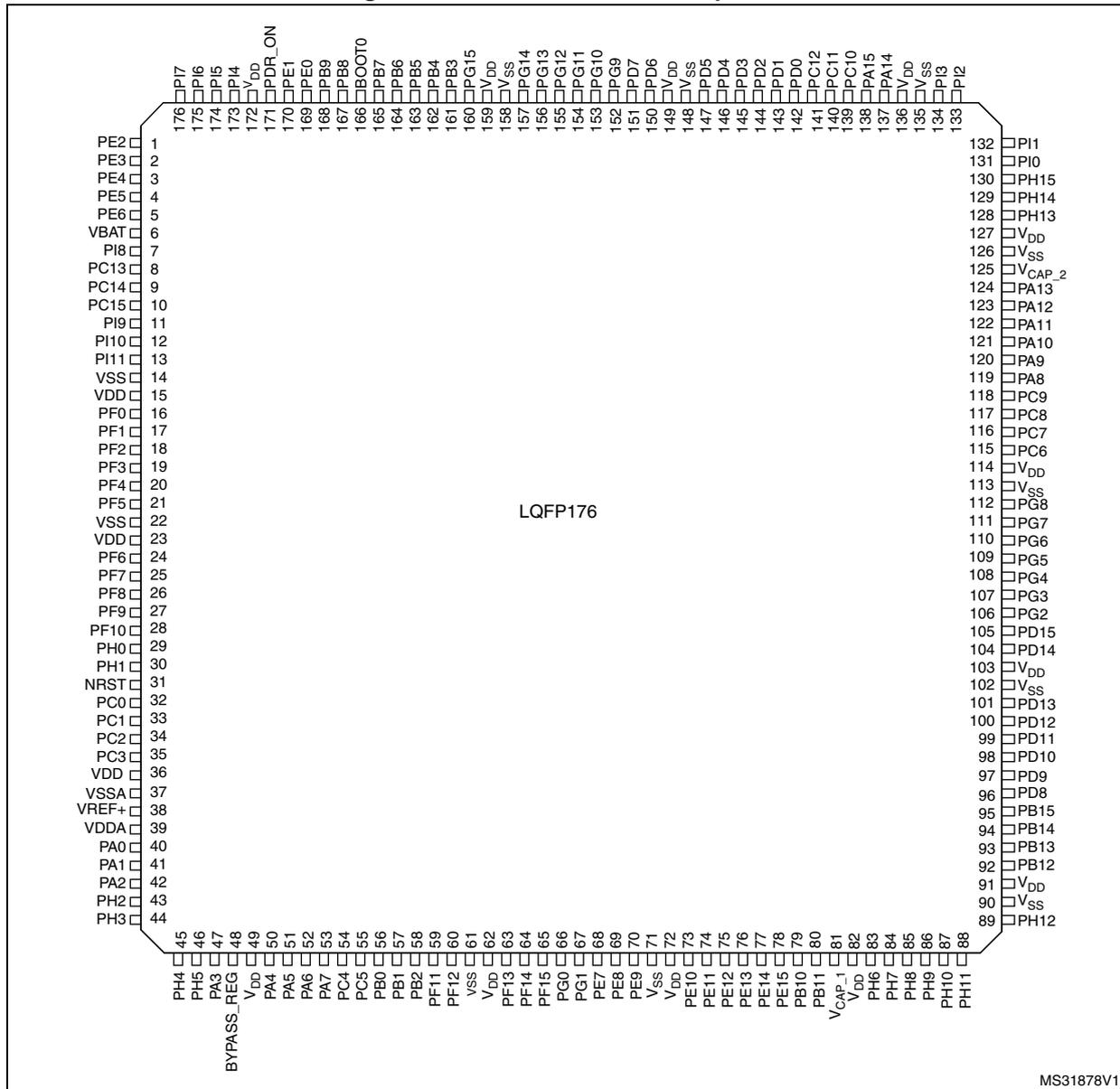
Figure 13. STM32F42x LQFP144 pinout



ai18496b

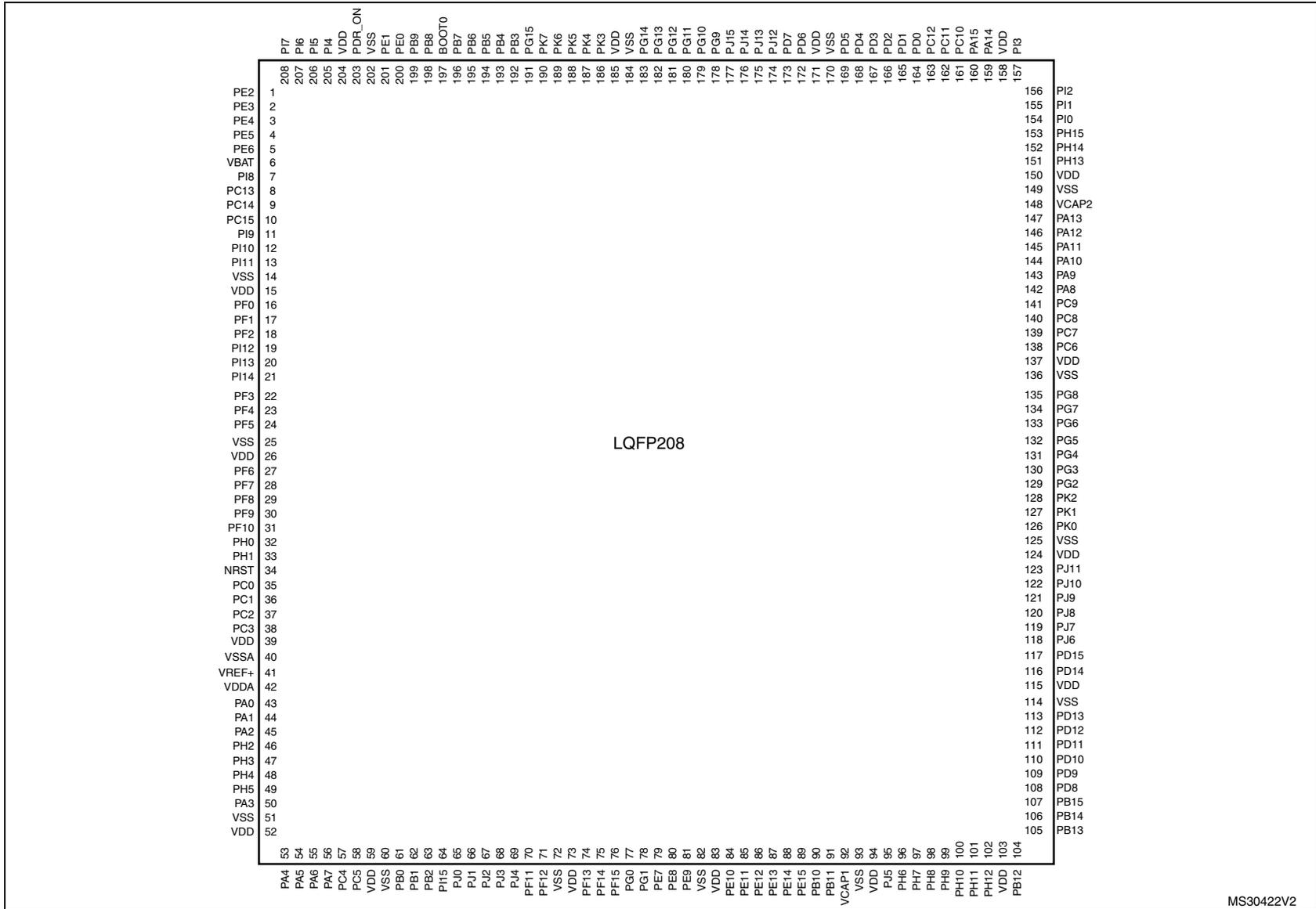
1. The above figure shows the package top view.

Figure 14. STM32F42x LQFP176 pinout



1. The above figure shows the package top view.

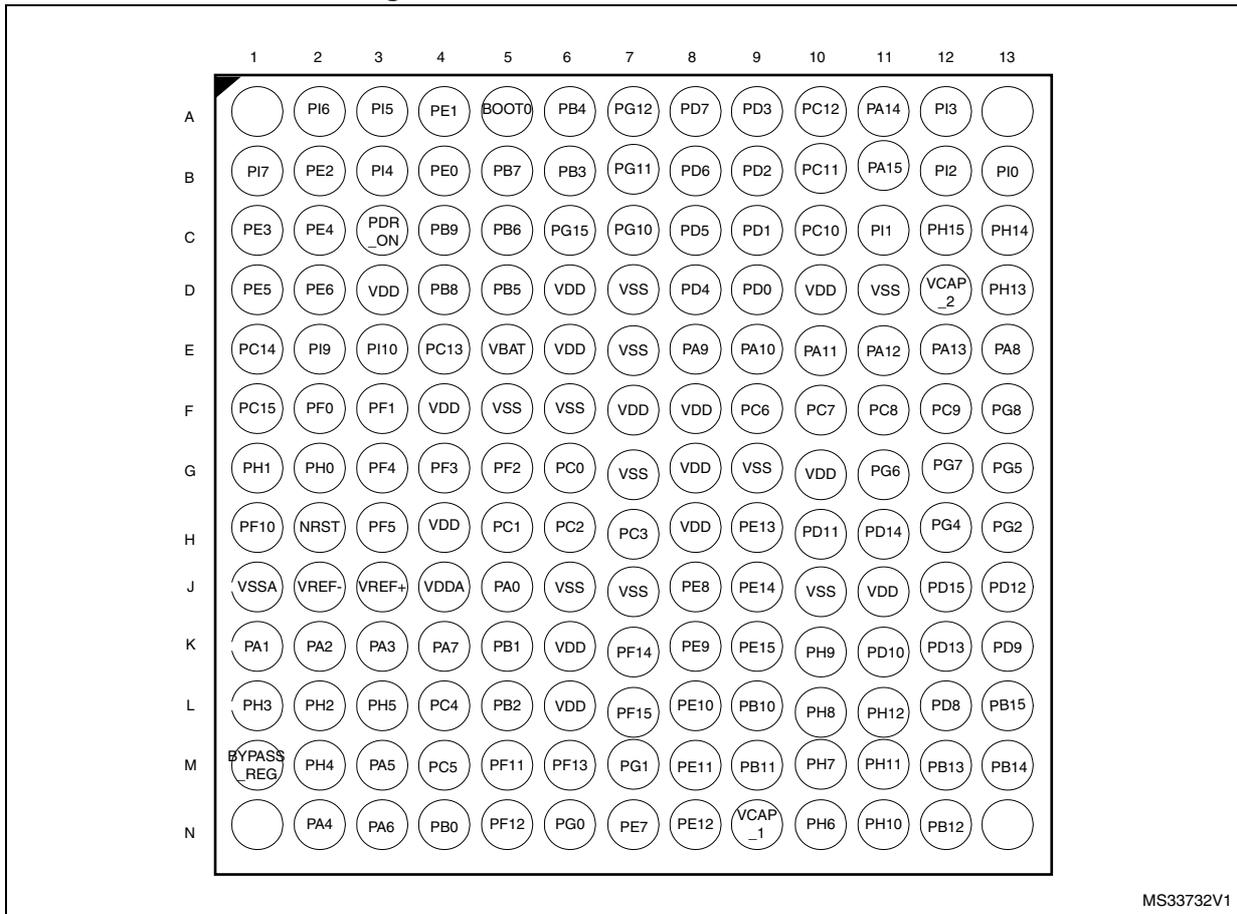
Figure 15. STM32F42x LQFP208 pinout



MS30422V2

1. The above figure shows the package top view.

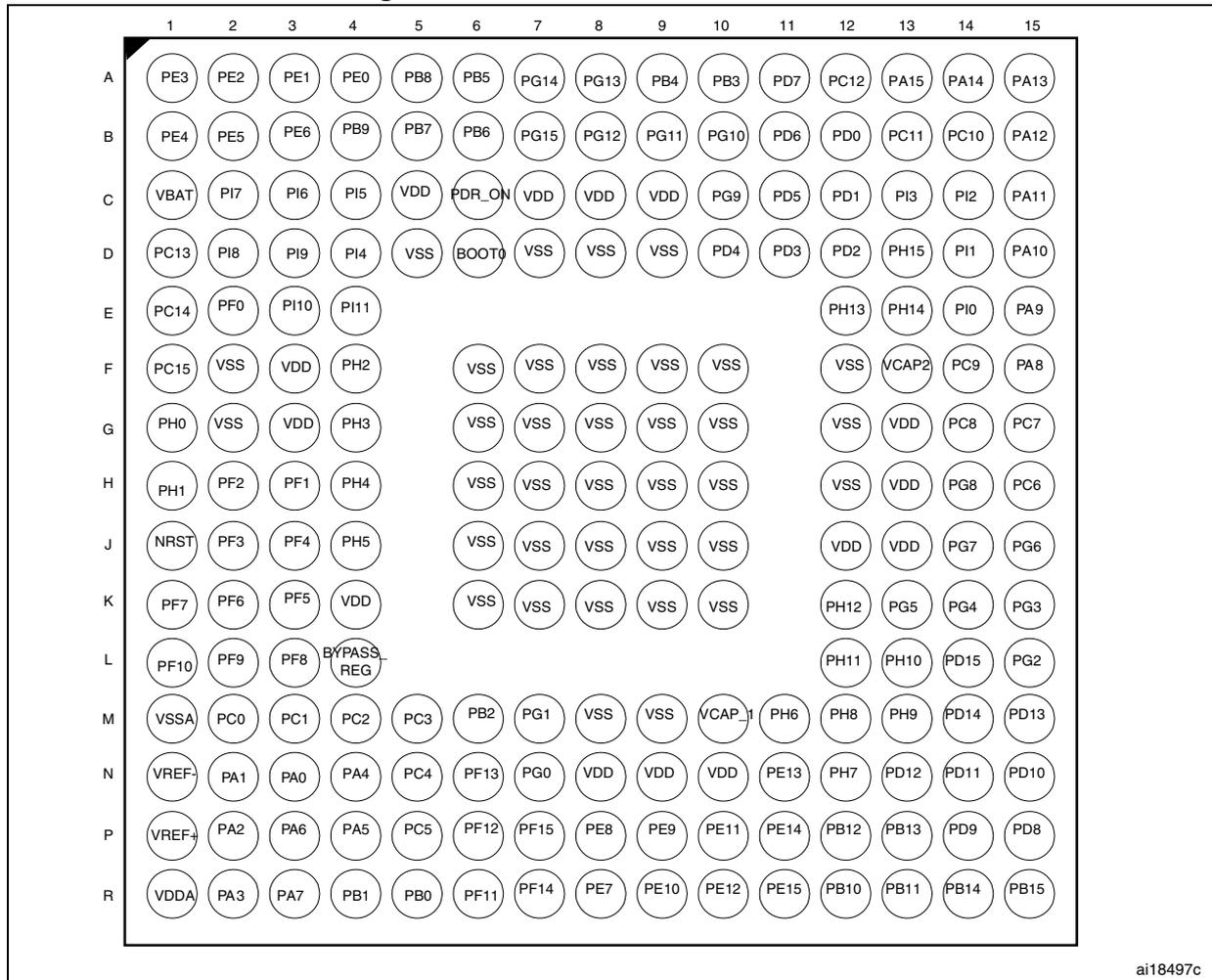
Figure 16. STM32F42x UFBGA169 ballout



MS33732V1

1. The above figure shows the package top view.
2. The 4 corners balls, A1,A13, N1 and N13, are not bonded internally and should be left not connected on the PCB.

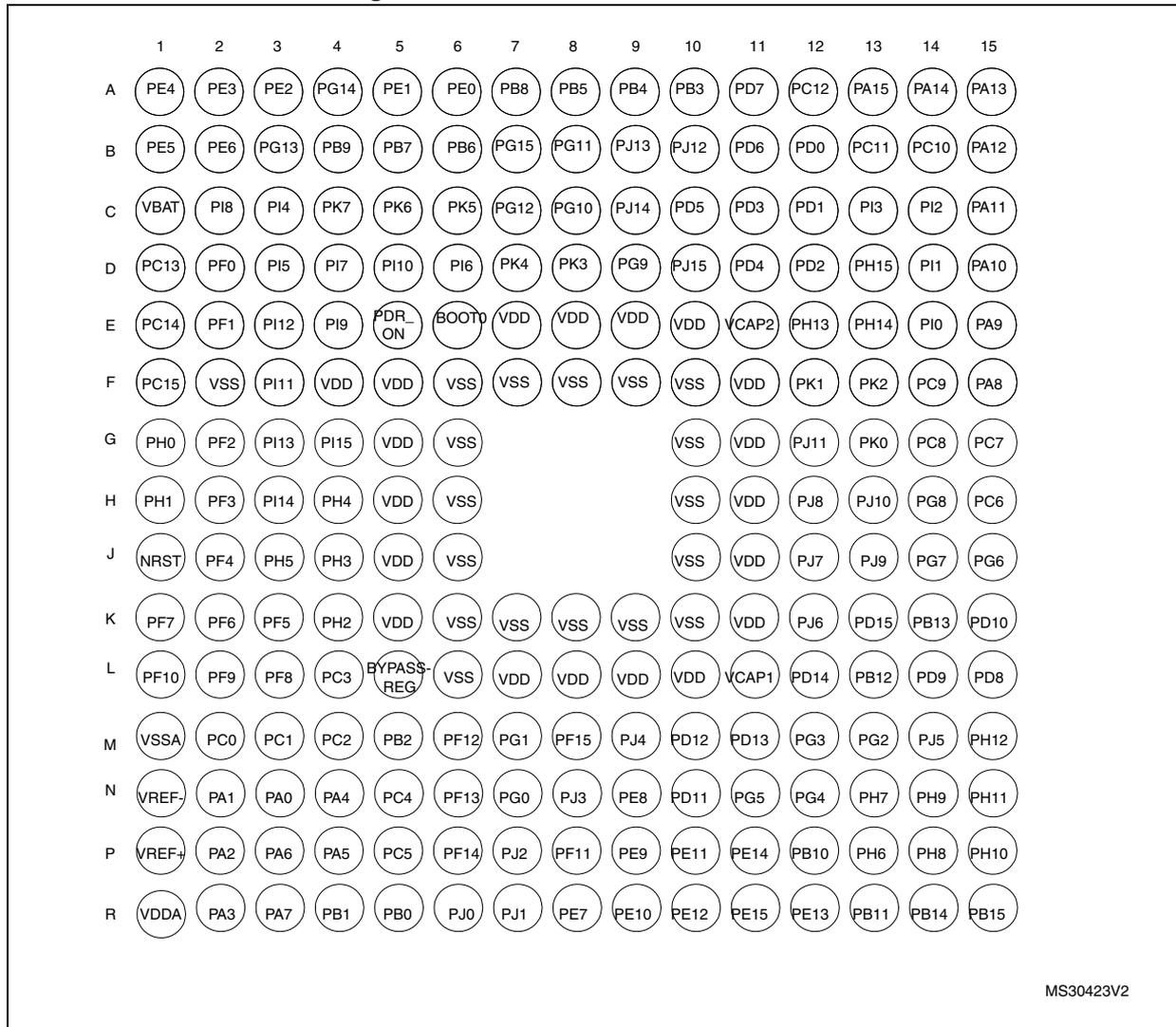
Figure 17. STM32F42x UFBGA176 ballout



ai18497c

1. The above figure shows the package top view.

Figure 18. STM32F42x TFBGA216 ballout



1. The above figure shows the package top view.

**Table 9. Legend/abbreviations used in the pinout table**

| Name                 | Abbreviation  | Definition   |
|----------------------|---|--|
| Pin name             | Unless otherwise specified in brackets below the pin name, the pin function during and after reset is the same as the actual pin name |  |
| Pin type             | S   | Supply pin   |
|                      | I   | Input only pin                                     |
|                      | I/O   | Input / output pin                                 |
| I/O structure        | FT  | 5 V tolerant I/O                                   |
|                      | TTa   | 3.3 V tolerant I/O directly connected to ADC       |
|                      | B   | Dedicated BOOT0 pin                                |
|                      | RST   | Bidirectional reset pin with weak pull-up resistor |
| Notes                | Unless otherwise specified by a note, all I/Os are set as floating inputs during and after reset                                      |  |
| Alternate functions  | Functions selected through GPIOx_AFR registers  |  |
| Additional functions | Functions directly selected/enabled through peripheral registers  |  |

**Table 10. STM32F427xx and STM32F429xx pin and ball definitions**

| Pin number |         |          |          |         |          |         |          | Pin name<br>(function after<br>reset) <sup>(1)</sup> | Pin type | I / O structure | Notes | Alternate functions  | Additional<br>functions |
|------------|---------|----------|----------|---------|----------|---------|----------|--|----------|-----------------|-------|--|-------------------------|
| LQFP100    | LQFP144 | UFBGA169 | UFBGA176 | LQFP176 | WLCSP143 | LQFP208 | TFBGA216 |  |          |                 |       |  |                         |
| 1          | 1       | B2       | A2       | 1       | D8       | 1       | A3       | PE2  | I/O      | FT              |       | TRACECLK,<br>SPI4_SCK,<br>SAI1_MCLK_A,<br>ETH_MII_TXD3,<br>FMC_A23, EVENTOUT |                         |
| 2          | 2       | C1       | A1       | 2       | C10      | 2       | A2       | PE3  | I/O      | FT              |       | TRACED0,<br>SAI1_SD_B, FMC_A19,<br>EVENTOUT                                  |                         |
| 3          | 3       | C2       | B1       | 3       | B11      | 3       | A1       | PE4  | I/O      | FT              |       | TRACED1, SPI4_NSS,<br>SAI1_FS_A, FMC_A20,<br>DCMI_D4, LCD_B0,<br>EVENTOUT    |                         |

Table 10. STM32F427xx and STM32F429xx pin and ball definitions (continued)

| Pin number |         |           |          |         |          |         |          | Pin name<br>(function after<br>reset) <sup>(1)</sup> | Pin type | I / O structure | Notes      | Alternate functions  | Additional<br>functions  |
|------------|---------|-----------|----------|---------|----------|---------|----------|--|----------|-----------------|------------|--|--------------------------|
| LQFP100    | LQFP144 | UFBGA169  | UFBGA176 | LQFP176 | WLCSP143 | LQFP208 | TFBGA216 |  |          |                 |            |  |                          |
| 4          | 4       | D1        | B2       | 4       | D9       | 4       | B1       | PE5  | I/O      | FT              |            | TRACED2, TIM9_CH1,<br>SPI4_MISO,<br>SAI1_SCK_A,<br>FMC_A21, DCMI_D6,<br>LCD_G0, EVENTOUT |                          |
| 5          | 5       | D2        | B3       | 5       | E8       | 5       | B2       | PE6  | I/O      | FT              |            | TRACED3, TIM9_CH2,<br>SPI4_MOSI,<br>SAI1_SD_A, FMC_A22,<br>DCMI_D7, LCD_G1,<br>EVENTOUT  |                          |
| -          | -       | -         | -        | -       | -        | -       | G6       | V <sub>SS</sub>                                      | S        |                 |            |  |                          |
| -          | -       | -         | -        | -       | -        | -       | F5       | V <sub>DD</sub>                                      | S        |                 |            |  |                          |
| 6          | 6       | E5        | C1       | 6       | C11      | 6       | C1       | V <sub>BAT</sub>                                     | S        |                 |            |  |                          |
| -          | -       | NC<br>(2) | D2       | 7       | -        | 7       | C2       | PI8  | I/O      | FT              | (3)<br>(4) | EVENTOUT   | TAMP_2                   |
| 7          | 7       | E4        | D1       | 8       | D10      | 8       | D1       | PC13   | I/O      | FT              | (3)<br>(4) | EVENTOUT   | TAMP_1                   |
| 8          | 8       | E1        | E1       | 9       | D11      | 9       | E1       | PC14-<br>OSC32_IN<br>(PC14)                          | I/O      | FT              | (3)<br>(4) | EVENTOUT   | OSC32_IN<br>(5)          |
| 9          | 9       | F1        | F1       | 10      | E11      | 10      | F1       | PC15-<br>OSC32_OUT<br>(PC15)                         | I/O      | FT              | (3)<br>(4) | EVENTOUT   | OSC32_OUT <sup>(5)</sup> |
| -          | -       | -         | -        | -       | -        | -       | G5       | V <sub>DD</sub>                                      | S        |                 |            |  |                          |
| -          | -       | E2        | D3       | 11      | -        | 11      | E4       | PI9  | I/O      | FT              |            | CAN1_RX, FMC_D30,<br>LCD_VSYNC,<br>EVENTOUT  |                          |
| -          | -       | E3        | E3       | 12      | -        | 12      | D5       | PI10   | I/O      | FT              |            | ETH_MII_RX_ER,<br>FMC_D31,<br>LCD_HSYNC,<br>EVENTOUT                                     |                          |
| -          | -       | NC<br>(2) | E4       | 13      | -        | 13      | F3       | PI11   | I/O      | FT              |            | OTG_HS_ULPI_DIR,<br>EVENTOUT   |                          |
| -          | -       | F6        | F2       | 14      | E7       | 14      | F2       | V <sub>SS</sub>                                      | S        |                 |            |  |                          |
| -          | -       | F4        | F3       | 15      | E10      | 15      | F4       | V <sub>DD</sub>                                      | S        |                 |            |  |                          |

Table 10. STM32F427xx and STM32F429xx pin and ball definitions (continued)

| Pin number |         |           |          |         |          |         |          | Pin name<br>(function after<br>reset) <sup>(1)</sup> | Pin type | I / O structure | Notes          | Alternate functions   | Additional<br>functions |
|------------|---------|-----------|----------|---------|----------|---------|----------|--|----------|-----------------|----------------|---|-------------------------|
| LQFP100    | LQFP144 | UFBGA169  | UFBGA176 | LQFP176 | WLCSP143 | LQFP208 | TFBGA216 |  |          |                 |                |   |                         |
| -          | 10      | F2        | E2       | 16      | F11      | 16      | D2       | PF0  | I/O      | FT              |                | I2C2_SDA, FMC_A0,<br>EVENTOUT   |                         |
| -          | 11      | F3        | H3       | 17      | E9       | 17      | E2       | PF1  | I/O      | FT              |                | I2C2_SCL, FMC_A1,<br>EVENTOUT   |                         |
| -          | 12      | G5        | H2       | 18      | F10      | 18      | G2       | PF2  | I/O      | FT              |                | I2C2_SMBA, FMC_A2,<br>EVENTOUT  |                         |
| -          | -       | -         | -        | -       | -        | 19      | E3       | PI12   | I/O      | FT              |                | LCD_HSYNC,<br>EVENTOUT  |                         |
| -          | -       | -         | -        | -       | -        | 20      | G3       | PI13   | I/O      | FT              |                | LCD_VSYNC,<br>EVENTOUT  |                         |
| -          | -       | -         | -        | -       | -        | 21      | H3       | PI14   | I/O      | FT              |                | LCD_CLK, EVENTOUT   |                         |
| -          | 13      | G4        | J2       | 19      | G11      | 22      | H2       | PF3  | I/O      | FT              | <sup>(5)</sup> | FMC_A3, EVENTOUT  | ADC3_IN9                |
| -          | 14      | G3        | J3       | 20      | F9       | 23      | J2       | PF4  | I/O      | FT              | <sup>(5)</sup> | FMC_A4, EVENTOUT  | ADC3_IN14               |
| -          | 15      | H3        | K3       | 21      | F8       | 24      | K3       | PF5  | I/O      | FT              | <sup>(5)</sup> | FMC_A5, EVENTOUT  | ADC3_IN15               |
| 10         | 16      | G7        | G2       | 22      | H7       | 25      | H6       | V <sub>SS</sub>                                      | S        |                 |                |   |                         |
| 11         | 17      | G8        | G3       | 23      | -        | 26      | H5       | V <sub>DD</sub>                                      | S        |                 |                |   |                         |
| -          | 18      | NC<br>(2) | K2       | 24      | G10      | 27      | K2       | PF6  | I/O      | FT              | <sup>(5)</sup> | TIM10_CH1,<br>SPI5_NSS,<br>SAI1_SD_B,<br>UART7_Rx,<br>FMC_NIORD,<br>EVENTOUT  | ADC3_IN4                |
| -          | 19      | NC<br>(2) | K1       | 25      | F7       | 28      | K1       | PF7  | I/O      | FT              | <sup>(5)</sup> | TIM11_CH1,<br>SPI5_SCK,<br>SAI1_MCLK_B,<br>UART7_Tx,<br>FMC_NREG,<br>EVENTOUT | ADC3_IN5                |
| -          | 20      | NC<br>(2) | L3       | 26      | H11      | 29      | L3       | PF8  | I/O      | FT              | <sup>(5)</sup> | SPI5_MISO,<br>SAI1_SCK_B,<br>TIM13_CH1,<br>FMC_NIOWR,<br>EVENTOUT             | ADC3_IN6                |

Table 10. STM32F427xx and STM32F429xx pin and ball definitions (continued)

| Pin number |         |                   |          |         |          |         |          | Pin name<br>(function after<br>reset) <sup>(1)</sup> | Pin type | I / O structure | Notes          | Alternate functions  | Additional<br>functions |
|------------|---------|-------------------|----------|---------|----------|---------|----------|--|----------|-----------------|----------------|--|-------------------------|
| LQFP100    | LQFP144 | UFBGA169          | UFBGA176 | LQFP176 | WLCSP143 | LQFP208 | TFBGA216 |  |          |                 |                |  |                         |
| -          | 21      | NC <sup>(2)</sup> | L2       | 27      | G8       | 30      | L2       | PF9  | I/O      | FT              | <sup>(5)</sup> | SPI5_MOSI,<br>SAI1_FS_B,<br>TIM14_CH1, FMC_CD,<br>EVENTOUT                               | ADC3_IN7                |
| -          | 22      | H1                | L1       | 28      | G9       | 31      | L1       | PF10   | I/O      | FT              | <sup>(5)</sup> | FMC_INTR,<br>DCMI_D11, LCD_DE,<br>EVENTOUT   | ADC3_IN8                |
| 12         | 23      | G2                | G1       | 29      | J11      | 32      | G1       | PH0-OSC_IN<br>(PH0)                                  | I/O      | FT              |                | EVENTOUT   | OSC_IN <sup>(5)</sup>   |
| 13         | 24      | G1                | H1       | 30      | H10      | 33      | H1       | PH1-<br>OSC_OUT<br>(PH1)                             | I/O      | FT              |                | EVENTOUT   | OSC_OUT <sup>(5)</sup>  |
| 14         | 25      | H2                | J1       | 31      | H9       | 34      | J1       | NRST   | I/O      | RS<br>T         |                |  |                         |
| 15         | 26      | G6                | M2       | 32      | H8       | 35      | M2       | PC0  | I/O      | FT              | <sup>(5)</sup> | OTG_HS_ULPI_STP,<br>FMC_SDNWE,<br>EVENTOUT   | ADC123_<br>IN10         |
| 16         | 27      | H5                | M3       | 33      | K11      | 36      | M3       | PC1  | I/O      | FT              | <sup>(5)</sup> | ETH_MDC,<br>EVENTOUT   | ADC123_<br>IN11         |
| 17         | 28      | H6                | M4       | 34      | J10      | 37      | M4       | PC2  | I/O      | FT              | <sup>(5)</sup> | SPI2_MISO,<br>I2S2ext_SD,<br>OTG_HS_ULPI_DIR,<br>ETH_MII_TXD2,<br>FMC_SDNE0,<br>EVENTOUT | ADC123_<br>IN12         |
| 18         | 29      | H7                | M5       | 35      | J9       | 38      | L4       | PC3  | I/O      | FT              | <sup>(5)</sup> | SPI2_MOSI/I2S2_SD,<br>OTG_HS_ULPI_NXT,<br>ETH_MII_TX_CLK,<br>FMC_SDCKE0,<br>EVENTOUT     | ADC123_<br>IN13         |
| 19         | 30      | -                 | -        | 36      | G7       | 39      | J5       | V <sub>DD</sub>                                      | S        |                 |                |  |                         |
| -          | -       | -                 | -        | -       | -        | -       | J6       | V <sub>SS</sub>                                      | S        |                 |                |  |                         |
| 20         | 31      | J1                | M1       | 37      | K10      | 40      | M1       | V <sub>SSA</sub>                                     | S        |                 |                |  |                         |
| -          | -       | J2                | N1       | -       | -        | -       | N1       | V <sub>REF-</sub>                                    | S        |                 |                |  |                         |
| 21         | 32      | J3                | P1       | 38      | L11      | 41      | P1       | V <sub>REF+</sub>                                    | S        |                 |                |  |                         |

Table 10. STM32F427xx and STM32F429xx pin and ball definitions (continued)

| Pin number |         |          |          |         |          |         |          | Pin name<br>(function after<br>reset) <sup>(1)</sup> | Pin type | I / O structure | Notes | Alternate functions   | Additional<br>functions    |
|------------|---------|----------|----------|---------|----------|---------|----------|--|----------|-----------------|-------|---|----------------------------|
| LQFP100    | LQFP144 | UFBGA169 | UFBGA176 | LQFP176 | WLCSP143 | LQFP208 | TFBGA216 |  |          |                 |       |   |                            |
| 22         | 33      | J4       | R1       | 39      | L10      | 42      | R1       | V <sub>DDA</sub>                                     | S        |                 |       |   |                            |
| 23         | 34      | J5       | N3       | 40      | K9       | 43      | N3       | PA0-WKUP<br>(PA0)                                    | I/O      | FT              | (6)   | TIM2_CH1/TIM2_ETR,<br>TIM5_CH1, TIM8_ETR,<br>USART2_CTS,<br>UART4_TX,<br>ETH_MII_CRCS,<br>EVENTOUT    | ADC123_<br>IN0/WKUP<br>(5) |
| 24         | 35      | K1       | N2       | 41      | K8       | 44      | N2       | PA1  | I/O      | FT              | (5)   | TIM2_CH2, TIM5_CH2,<br>USART2_RTS,<br>UART4_RX,<br>ETH_MII_RX_CLK/ETH<br>_RMII_REF_CLK,<br>EVENTOUT   | ADC123_<br>IN1             |
| 25         | 36      | K2       | P2       | 42      | L9       | 45      | P2       | PA2  | I/O      | FT              | (5)   | TIM2_CH3, TIM5_CH3,<br>TIM9_CH1,<br>USART2_TX,<br>ETH_MDIO,<br>EVENTOUT                               | ADC123_<br>IN2             |
| -          | -       | L2       | F4       | 43      | -        | 46      | K4       | PH2  | I/O      | FT              |       | ETH_MII_CRCS,<br>FMC_SDCKE0,<br>LCD_R0, EVENTOUT  |                            |
| -          | -       | L1       | G4       | 44      | -        | 47      | J4       | PH3  | I/O      | FT              |       | ETH_MII_COL,<br>FMC_SDNE0, LCD_R1,<br>EVENTOUT  |                            |
| -          | -       | M2       | H4       | 45      | -        | 48      | H4       | PH4  | I/O      | FT              |       | I2C2_SCL,<br>OTG_HS_ULPI_NXT,<br>EVENTOUT   |                            |
| -          | -       | L3       | J4       | 46      | -        | 49      | J3       | PH5  | I/O      | FT              |       | I2C2_SDA, SPI5_NSS,<br>FMC_SDNWE,<br>EVENTOUT   |                            |
| 26         | 37      | K3       | R2       | 47      | M11      | 50      | R2       | PA3  | I/O      | FT              | (5)   | TIM2_CH4, TIM5_CH4,<br>TIM9_CH2,<br>USART2_RX,<br>OTG_HS_ULPI_D0,<br>ETH_MII_COL,<br>LCD_B5, EVENTOUT | ADC123_<br>IN3             |
| 27         | 38      | -        | -        | -       | -        | 51      | K6       | V <sub>SS</sub>                                      | S        |                 |       |   |                            |

Table 10. STM32F427xx and STM32F429xx pin and ball definitions (continued)

| Pin number |         |          |          |         |          |         |          | Pin name<br>(function after<br>reset) <sup>(1)</sup> | Pin type | I / O structure | Notes | Alternate functions   | Additional<br>functions |
|------------|---------|----------|----------|---------|----------|---------|----------|--|----------|-----------------|-------|---|-------------------------|
| LQFP100    | LQFP144 | UFBGA169 | UFBGA176 | LQFP176 | WLCSP143 | LQFP208 | TFBGA216 |  |          |                 |       |   |                         |
| -          | -       | M1       | L4       | 48      | N11      | -       | L5       | BYPASS_ REG  | I        | FT              |       |   |                         |
| 28         | 39      | J11      | K4       | 49      | J8       | 52      | K5       | V <sub>DD</sub>                                      | S        |                 |       |   |                         |
| 29         | 40      | N2       | N4       | 50      | M10      | 53      | N4       | PA4  | I/O      | TtA             | (5)   | SPI1_NSS,<br>SPI3_NSS/I2S3_WS,<br>USART2_CK,<br>OTG_HS_SOF,<br>DCMI_HSYNC,<br>LCD_VSYNC,<br>EVENTOUT            | ADC12_ IN4 /DAC_ OUT1   |
| 30         | 41      | M3       | P4       | 51      | M9       | 54      | P4       | PA5  | I/O      | TtA             | (5)   | TIM2_CH1/TIM2_ETR,<br>TIM8_CH1N,<br>SPI1_SCK,<br>OTG_HS_ULPI_CK,<br>EVENTOUT                                    | ADC12_ IN5/DAC_ OUT2    |
| 31         | 42      | N3       | P3       | 52      | N10      | 55      | P3       | PA6  | I/O      | FT              | (5)   | TIM1_BKIN,<br>TIM3_CH1,<br>TIM8_BKIN,<br>SPI1_MISO,<br>TIM13_CH1,<br>DCMI_PIXCLK,<br>LCD_G2, EVENTOUT           | ADC12_ IN6              |
| 32         | 43      | K4       | R3       | 53      | L8       | 56      | R3       | PA7  | I/O      | FT              | (5)   | TIM1_CH1N,<br>TIM3_CH2,<br>TIM8_CH1N,<br>SPI1_MOSI,<br>TIM14_CH1,<br>ETH_MII_RX_DV/ETH_ RMIICRS_DV,<br>EVENTOUT | ADC12_ IN7              |
| 33         | 44      | L4       | N5       | 54      | M8       | 57      | N5       | PC4  | I/O      | FT              | (5)   | ETH_MII_RXD0/ETH_ RMIICRS_DV,<br>EVENTOUT   | ADC12_ IN14             |
| 34         | 45      | M4       | P5       | 55      | N9       | 58      | P5       | PC5  | I/O      | FT              | (5)   | ETH_MII_RXD1/ETH_ RMIICRS_DV,<br>EVENTOUT   | ADC12_ IN15             |
| -          | -       | -        | -        | -       | J7       | 59      | L7       | V <sub>DD</sub>                                      | S        |                 |       |   |                         |
| -          | -       | -        | -        | -       | -        | 60      | L6       | V <sub>SS</sub>                                      | S        |                 |       |   |                         |

Table 10. STM32F427xx and STM32F429xx pin and ball definitions (continued)

| Pin number |         |          |          |         |          |         |          | Pin name<br>(function after<br>reset) <sup>(1)</sup> | Pin type | I / O structure | Notes | Alternate functions   | Additional<br>functions |
|------------|---------|----------|----------|---------|----------|---------|----------|--|----------|-----------------|-------|---|-------------------------|
| LQFP100    | LQFP144 | UFBGA169 | UFBGA176 | LQFP176 | WLCSP143 | LQFP208 | TFBGA216 |  |          |                 |       |   |                         |
| 35         | 46      | N4       | R5       | 56      | N8       | 61      | R5       | PB0  | I/O      | FT              | (5)   | TIM1_CH2N,<br>TIM3_CH3,<br>TIM8_CH2N, LCD_R3,<br>OTG_HS_ULPI_D1,<br>ETH_MII_RXD2,<br>EVENTOUT | ADC12_<br>IN8           |
| 36         | 47      | K5       | R4       | 57      | K7       | 62      | R4       | PB1  | I/O      | FT              | (5)   | TIM1_CH3N,<br>TIM3_CH4,<br>TIM8_CH3N, LCD_R6,<br>OTG_HS_ULPI_D2,<br>ETH_MII_RXD3,<br>EVENTOUT | ADC12_<br>IN9           |
| 37         | 48      | L5       | M6       | 58      | L7       | 63      | M5       | PB2-BOOT1<br>(PB2)                                   | I/O      | FT              |       | EVENTOUT  |                         |
| -          | -       | -        | -        | -       | -        | 64      | G4       | PI15   | I/O      | FT              |       | LCD_R0, EVENTOUT  |                         |
| -          | -       | -        | -        | -       | -        | 65      | R6       | PJ0  | I/O      | FT              |       | LCD_R1, EVENTOUT  |                         |
| -          | -       | -        | -        | -       | -        | 66      | R7       | PJ1  | I/O      | FT              |       | LCD_R2, EVENTOUT  |                         |
| -          | -       | -        | -        | -       | -        | 67      | P7       | PJ2  | I/O      | FT              |       | LCD_R3, EVENTOUT  |                         |
| -          | -       | -        | -        | -       | -        | 68      | N8       | PJ3  | I/O      | FT              |       | LCD_R4, EVENTOUT  |                         |
| -          | -       | -        | -        | -       | -        | 69      | M9       | PJ4  | I/O      | FT              |       | LCD_R5, EVENTOUT  |                         |
| -          | 49      | M5       | R6       | 59      | M7       | 70      | P8       | PF11   | I/O      | FT              |       | SPI5_MOSI,<br>FMC_SDNRAS,<br>DCMI_D12,<br>EVENTOUT  |                         |
| -          | 50      | N5       | P6       | 60      | N7       | 71      | M6       | PF12   | I/O      | FT              |       | FMC_A6, EVENTOUT  |                         |
| -          | 51      | G9       | M8       | 61      | -        | 72      | K7       | V <sub>SS</sub>                                      | S        |                 |       |   |                         |
| -          | 52      | D10      | N8       | 62      | -        | 73      | L8       | V <sub>DD</sub>                                      | S        |                 |       |   |                         |
| -          | 53      | M6       | N6       | 63      | K6       | 74      | N6       | PF13   | I/O      | FT              |       | FMC_A7, EVENTOUT  |                         |
| -          | 54      | K7       | R7       | 64      | L6       | 75      | P6       | PF14   | I/O      | FT              |       | FMC_A8, EVENTOUT  |                         |
| -          | 55      | L7       | P7       | 65      | M6       | 76      | M8       | PF15   | I/O      | FT              |       | FMC_A9, EVENTOUT  |                         |
| -          | 56      | N6       | N7       | 66      | N6       | 77      | N7       | PG0  | I/O      | FT              |       | FMC_A10, EVENTOUT   |                         |
| -          | 57      | M7       | M7       | 67      | K5       | 78      | M7       | PG1  | I/O      | FT              |       | FMC_A11, EVENTOUT   |                         |

Table 10. STM32F427xx and STM32F429xx pin and ball definitions (continued)

| Pin number |         |          |          |         |          |         |          | Pin name<br>(function after<br>reset) <sup>(1)</sup> | Pin type | I / O structure | Notes | Alternate functions   | Additional<br>functions |
|------------|---------|----------|----------|---------|----------|---------|----------|--|----------|-----------------|-------|---|-------------------------|
| LQFP100    | LQFP144 | UFBGA169 | UFBGA176 | LQFP176 | WLCSP143 | LQFP208 | TFBGA216 |  |          |                 |       |   |                         |
| 38         | 58      | N7       | R8       | 68      | L5       | 79      | R8       | PE7  | I/O      | FT              |       | TIM1_ETR, UART7_Rx,<br>FMC_D4, EVENTOUT   |                         |
| 39         | 59      | J8       | P8       | 69      | M5       | 80      | N9       | PE8  | I/O      | FT              |       | TIM1_CH1N,<br>UART7_Tx, FMC_D5,<br>EVENTOUT   |                         |
| 40         | 60      | K8       | P9       | 70      | N5       | 81      | P9       | PE9  | I/O      | FT              |       | TIM1_CH1, FMC_D6,<br>EVENTOUT   |                         |
| -          | 61      | J6       | M9       | 71      | H3       | 82      | K8       | V <sub>SS</sub>                                      | S        |                 |       |   |                         |
| -          | 62      | G10      | N9       | 72      | J5       | 83      | L9       | V <sub>DD</sub>                                      | S        |                 |       |   |                         |
| 41         | 63      | L8       | R9       | 73      | J4       | 84      | R9       | PE10   | I/O      | FT              |       | TIM1_CH2N, FMC_D7,<br>EVENTOUT  |                         |
| 42         | 64      | M8       | P10      | 74      | K4       | 85      | P10      | PE11   | I/O      | FT              |       | TIM1_CH2, SPI4_NSS,<br>FMC_D8, LCD_G3,<br>EVENTOUT  |                         |
| 43         | 65      | N8       | R10      | 75      | L4       | 86      | R10      | PE12   | I/O      | FT              |       | TIM1_CH3N,<br>SPI4_SCK, FMC_D9,<br>LCD_B4, EVENTOUT   |                         |
| 44         | 66      | H9       | N11      | 76      | N4       | 87      | R12      | PE13   | I/O      | FT              |       | TIM1_CH3,<br>SPI4_MISO, FMC_D10,<br>LCD_DE, EVENTOUT  |                         |
| 45         | 67      | J9       | P11      | 77      | M4       | 88      | P11      | PE14   | I/O      | FT              |       | TIM1_CH4,<br>SPI4_MOSI, FMC_D11,<br>LCD_CLK, EVENTOUT   |                         |
| 46         | 68      | K9       | R11      | 78      | L3       | 89      | R11      | PE15   | I/O      | FT              |       | TIM1_BKIN, FMC_D12,<br>LCD_R7, EVENTOUT   |                         |
| 47         | 69      | L9       | R12      | 79      | M3       | 90      | P12      | PB10   | I/O      | FT              |       | TIM2_CH3, I2C2_SCL,<br>SPI2_SCK/I2S2_CK,<br>USART3_TX,<br>OTG_HS_ULPI_D3,<br>ETH_MII_RX_ER,<br>LCD_G4, EVENTOUT |                         |
| 48         | 70      | M9       | R13      | 80      | N3       | 91      | R13      | PB11   | I/O      | FT              |       | TIM2_CH4, I2C2_SDA,<br>USART3_RX,<br>OTG_HS_ULPI_D4,<br>ETH_MII_TX_EN/ETH_<br>RMII_TX_EN, LCD_G5,<br>EVENTOUT   |                         |

Table 10. STM32F427xx and STM32F429xx pin and ball definitions (continued)

| Pin number |         |          |          |         |          |         |          | Pin name<br>(function after<br>reset) <sup>(1)</sup> | Pin type | I / O structure | Notes | Alternate functions   | Additional<br>functions |
|------------|---------|----------|----------|---------|----------|---------|----------|--|----------|-----------------|-------|---|-------------------------|
| LQFP100    | LQFP144 | UFBGA169 | UFBGA176 | LQFP176 | WLCSP143 | LQFP208 | TFBGA216 |  |          |                 |       |   |                         |
| 49         | 71      | N9       | M10      | 81      | N2       | 92      | L11      | V <sub>CAP_1</sub>                                   | S        |                 |       |   |                         |
| -          | -       | -        | -        | -       | H2       | 93      | K9       | V <sub>SS</sub>                                      | S        |                 |       |   |                         |
| 50         | 72      | F8       | N10      | 82      | J6       | 94      | L10      | V <sub>DD</sub>                                      | S        |                 |       |   |                         |
| -          | -       | -        | -        | -       | -        | 95      | M14      | PJ5  | I/O      |                 |       | LCD_R6, EVENTOUT  |                         |
| -          | -       | N10      | M11      | 83      | -        | 96      | P13      | PH6  | I/O      | FT              |       | I2C2_SMBA,<br>SPI5_SCK,<br>TIM12_CH1,<br>ETH_MII_RXD2,<br>FMC_SDNE1,<br>DCMI_D8, EVENTOUT |                         |
| -          | -       | M10      | N12      | 84      | -        | 97      | N13      | PH7  | I/O      | FT              |       | I2C3_SCL, SPI5_MISO,<br>ETH_MII_RXD3,<br>FMC_SDCKE1,<br>DCMI_D9, EVENTOUT                 |                         |
| -          | -       | L10      | M12      | 85      | -        | 98      | P14      | PH8  | I/O      | FT              |       | I2C3_SDA, FMC_D16,<br>DCMI_HSYNC,<br>LCD_R2, EVENTOUT                                     |                         |
| -          | -       | K10      | M13      | 86      | -        | 99      | N14      | PH9  | I/O      | FT              |       | I2C3_SMBA,<br>TIM12_CH2,<br>FMC_D17, DCMI_D0,<br>LCD_R3, EVENTOUT                         |                         |
| -          | -       | N11      | L13      | 87      | -        | 100     | P15      | PH10   | I/O      | FT              |       | TIM5_CH1, FMC_D18,<br>DCMI_D1, LCD_R4,<br>EVENTOUT  |                         |
| -          | -       | M11      | L12      | 88      | -        | 101     | N15      | PH11   | I/O      | FT              |       | TIM5_CH2, FMC_D19,<br>DCMI_D2, LCD_R5,<br>EVENTOUT  |                         |
| -          | -       | L11      | K12      | 89      | -        | 102     | M15      | PH12   | I/O      | FT              |       | TIM5_CH3, FMC_D20,<br>DCMI_D3, LCD_R6,<br>EVENTOUT  |                         |
| -          | -       | E7       | H12      | 90      | -        | -       | K10      | V <sub>SS</sub>                                      | S        |                 |       |   |                         |
| -          | -       | H8       | J12      | 91      | -        | 103     | K11      | V <sub>DD</sub>                                      | S        |                 |       |   |                         |

Table 10. STM32F427xx and STM32F429xx pin and ball definitions (continued)

| Pin number |         |          |          |         |          |         |          | Pin name<br>(function after<br>reset) <sup>(1)</sup> | Pin type | I / O structure | Notes | Alternate functions   | Additional<br>functions |
|------------|---------|----------|----------|---------|----------|---------|----------|--|----------|-----------------|-------|---|-------------------------|
| LQFP100    | LQFP144 | UFBGA169 | UFBGA176 | LQFP176 | WLCSP143 | LQFP208 | TFBGA216 |  |          |                 |       |   |                         |
| 51         | 73      | N12      | P12      | 92      | M2       | 104     | L13      | PB12   | I/O      | FT              |       | TIM1_BKIN,<br>I2C2_SMBA,<br>SPI2_NSS/I2S2_WS,<br>USART3_CK,<br>CAN2_RX,<br>OTG_HS_ULPI_D5,<br>ETH_MII_TXD0/ETH_R<br>MII_TXD0,<br>OTG_HS_ID,<br>EVENTOUT |                         |
| 52         | 74      | M12      | P13      | 93      | N1       | 105     | K14      | PB13   | I/O      | FT              |       | TIM1_CH1N,<br>SPI2_SCK/I2S2_CK,<br>USART3_CTS,<br>CAN2_TX,<br>OTG_HS_ULPI_D6,<br>ETH_MII_TXD1/ETH_R<br>MII_TXD1, EVENTOUT                               | OTG_HS_<br>VBUS         |
| 53         | 75      | M13      | R14      | 94      | K3       | 106     | R14      | PB14   | I/O      | FT              |       | TIM1_CH2N,<br>TIM8_CH2N,<br>SPI2_MISO,<br>I2S2ext_SD,<br>USART3_RTS,<br>TIM12_CH1,<br>OTG_HS_DM,<br>EVENTOUT  |                         |
| 54         | 76      | L13      | R15      | 95      | J3       | 107     | R15      | PB15   | I/O      | FT              |       | RTC_REFIN,<br>TIM1_CH3N,<br>TIM8_CH3N,<br>SPI2_MOSI/I2S2_SD,<br>TIM12_CH2,<br>OTG_HS_DP,<br>EVENTOUT  |                         |
| 55         | 77      | L12      | P15      | 96      | L2       | 108     | L15      | PD8  | I/O      | FT              |       | USART3_TX,<br>FMC_D13, EVENTOUT   |                         |
| 56         | 78      | K13      | P14      | 97      | M1       | 109     | L14      | PD9  | I/O      | FT              |       | USART3_RX,<br>FMC_D14, EVENTOUT   |                         |
| 57         | 79      | K11      | N15      | 98      | H4       | 110     | K15      | PD10   | I/O      | FT              |       | USART3_CK,<br>FMC_D15, LCD_B3,<br>EVENTOUT  |                         |

Table 10. STM32F427xx and STM32F429xx pin and ball definitions (continued)

| Pin number |         |           |          |         |          |         |          | Pin name<br>(function after<br>reset) <sup>(1)</sup> | Pin type | I / O structure | Notes | Alternate functions                           | Additional<br>functions |
|------------|---------|-----------|----------|---------|----------|---------|----------|--|----------|-----------------|-------|---|-------------------------|
| LQFP100    | LQFP144 | UFBGA169  | UFBGA176 | LQFP176 | WLCSP143 | LQFP208 | TFBGA216 |  |          |                 |       |   |                         |
| 58         | 80      | H10       | N14      | 99      | K2       | 111     | N10      | PD11   | I/O      | FT              |       | USART3_CTS,<br>FMC_A16, EVENTOUT              |                         |
| 59         | 81      | J13       | N13      | 100     | H6       | 112     | M10      | PD12   | I/O      | FT              |       | TIM4_CH1,<br>USART3_RTS,<br>FMC_A17, EVENTOUT |                         |
| 60         | 82      | K12       | M15      | 101     | H5       | 113     | M11      | PD13   | I/O      | FT              |       | TIM4_CH2, FMC_A18,<br>EVENTOUT                |                         |
| -          | 83      | -         | -        | 102     | -        | 114     | J10      | V <sub>SS</sub>                                      | S        |                 |       |   |                         |
| -          | 84      | F7        | J13      | 103     | L1       | 115     | J11      | V <sub>DD</sub>                                      | S        |                 |       |   |                         |
| 61         | 85      | H11       | M14      | 104     | J2       | 116     | L12      | PD14   | I/O      | FT              |       | TIM4_CH3, FMC_D0,<br>EVENTOUT                 |                         |
| 62         | 86      | J12       | L14      | 105     | K1       | 117     | K13      | PD15   | I/O      | FT              |       | TIM4_CH4, FMC_D1,<br>EVENTOUT                 |                         |
| -          | -       | -         | -        | -       | -        | 118     | K12      | PJ6  | I/O      | FT              |       | LCD_R7, EVENTOUT                              |                         |
| -          | -       | -         | -        | -       | -        | 119     | J12      | PJ7  | I/O      | FT              |       | LCD_G0, EVENTOUT                              |                         |
| -          | -       | -         | -        | -       | -        | 120     | H12      | PJ8  | I/O      | FT              |       | LCD_G1, EVENTOUT                              |                         |
| -          | -       | -         | -        | -       | -        | 121     | J13      | PJ9  | I/O      | FT              |       | LCD_G2, EVENTOUT                              |                         |
| -          | -       | -         | -        | -       | -        | 122     | H13      | PJ10   | I/O      | FT              |       | LCD_G3, EVENTOUT                              |                         |
| -          | -       | -         | -        | -       | -        | 123     | G12      | PJ11   | I/O      | FT              |       | LCD_G4, EVENTOUT                              |                         |
| -          | -       | -         | -        | -       | -        | 124     | H11      | VDD  | I/O      | FT              |       |   |                         |
| -          | -       | -         | -        | -       | -        | 125     | H10      | VSS  | I/O      | FT              |       |   |                         |
| -          | -       | -         | -        | -       | -        | 126     | G13      | PK0  | I/O      | FT              |       | LCD_G5, EVENTOUT                              |                         |
| -          | -       | -         | -        | -       | -        | 127     | F12      | PK1  | I/O      | FT              |       | LCD_G6, EVENTOUT                              |                         |
| -          | -       | -         | -        | -       | -        | 128     | F13      | PK2  | I/O      | FT              |       | LCD_G7, EVENTOUT                              |                         |
| -          | 87      | H13       | L15      | 106     | J1       | 129     | M13      | PG2  | I/O      | FT              |       | FMC_A12, EVENTOUT                             |                         |
| -          | 88      | NC<br>(2) | K15      | 107     | G3       | 130     | M12      | PG3  | I/O      | FT              |       | FMC_A13, EVENTOUT                             |                         |
| -          | 89      | H12       | K14      | 108     | G5       | 131     | N12      | PG4  | I/O      | FT              |       | FMC_A14/FMC_BA0,<br>EVENTOUT                  |                         |
| -          | 90      | G13       | K13      | 109     | G6       | 132     | N11      | PG5  | I/O      | FT              |       | FMC_A15/FMC_BA1,<br>EVENTOUT                  |                         |

Table 10. STM32F427xx and STM32F429xx pin and ball definitions (continued)

| Pin number |         |          |          |         |          |         |          | Pin name<br>(function after<br>reset) <sup>(1)</sup> | Pin type | I / O structure | Notes | Alternate functions   | Additional<br>functions |
|------------|---------|----------|----------|---------|----------|---------|----------|--|----------|-----------------|-------|---|-------------------------|
| LQFP100    | LQFP144 | UFBGA169 | UFBGA176 | LQFP176 | WLCSP143 | LQFP208 | TFBGA216 |  |          |                 |       |   |                         |
| -          | 91      | G11      | J15      | 110     | G4       | 133     | J15      | PG6  | I/O      | FT              |       | FMC_INT2, DCMI_D12,<br>LCD_R7, EVENTOUT   |                         |
| -          | 92      | G12      | J14      | 111     | H1       | 134     | J14      | PG7  | I/O      | FT              |       | USART6_CK,<br>FMC_INT3, DCMI_D13,<br>LCD_CLK, EVENTOUT  |                         |
| -          | 93      | F13      | H14      | 112     | G2       | 135     | H14      | PG8  | I/O      | FT              |       | SPI6_NSS,<br>USART6_RTS,<br>ETH_PPS_OUT,<br>FMC_SDCLK,<br>EVENTOUT                            |                         |
| -          | 94      | J7       | G12      | 113     | D2       | 136     | G10      | V <sub>SS</sub>                                      | S        |                 |       |   |                         |
| -          | 95      | E6       | H13      | 114     | G1       | 137     | G11      | V <sub>DD</sub>                                      | S        |                 |       |   |                         |
| 63         | 96      | F9       | H15      | 115     | F2       | 138     | H15      | PC6  | I/O      | FT              |       | TIM3_CH1, TIM8_CH1,<br>I2S2_MCK,<br>USART6_TX,<br>SDIO_D6, DCMI_D0,<br>LCD_HSYNC,<br>EVENTOUT |                         |
| 64         | 97      | F10      | G15      | 116     | F3       | 139     | G15      | PC7  | I/O      | FT              |       | TIM3_CH2, TIM8_CH2,<br>I2S3_MCK,<br>USART6_RX,<br>SDIO_D7, DCMI_D1,<br>LCD_G6, EVENTOUT       |                         |
| 65         | 98      | F11      | G14      | 117     | E4       | 140     | G14      | PC8  | I/O      | FT              |       | TIM3_CH3, TIM8_CH3,<br>USART6_CK,<br>SDIO_D0, DCMI_D2,<br>EVENTOUT                            |                         |
| 66         | 99      | F12      | F14      | 118     | E3       | 141     | F14      | PC9  | I/O      | FT              |       | MCO2, TIM3_CH4,<br>TIM8_CH4, I2C3_SDA,<br>I2S_CKIN, SDIO_D1,<br>DCMI_D3, EVENTOUT             |                         |
| 67         | 100     | E13      | F15      | 119     | F1       | 142     | F15      | PA8  | I/O      | FT              |       | MCO1, TIM1_CH1,<br>I2C3_SCL,<br>USART1_CK,<br>OTG_FS_SOF,<br>LCD_R6, EVENTOUT                 |                         |

Table 10. STM32F427xx and STM32F429xx pin and ball definitions (continued)

| Pin number |         |          |          |         |          |         |          | Pin name<br>(function after<br>reset) <sup>(1)</sup> | Pin type | I / O structure | Notes | Alternate functions  | Additional<br>functions |
|------------|---------|----------|----------|---------|----------|---------|----------|--|----------|-----------------|-------|--|-------------------------|
| LQFP100    | LQFP144 | UFBGA169 | UFBGA176 | LQFP176 | WLCSP143 | LQFP208 | TFBGA216 |  |          |                 |       |  |                         |
| 68         | 101     | E8       | E15      | 120     | E2       | 143     | E15      | PA9  | I/O      | FT              |       | TIM1_CH2,<br>I2C3_SMBA,<br>USART1_TX,<br>DCMI_D0, EVENTOUT                               | OTG_FS_<br>VBUS         |
| 69         | 102     | E9       | D15      | 121     | D5       | 144     | D15      | PA10   | I/O      | FT              |       | TIM1_CH3,<br>USART1_RX,<br>OTG_FS_ID,<br>DCMI_D1, EVENTOUT                               |                         |
| 70         | 103     | E10      | C15      | 122     | D4       | 145     | C15      | PA11   | I/O      | FT              |       | TIM1_CH4,<br>USART1_CTS,<br>CAN1_RX, LCD_R4,<br>OTG_FS_DM,<br>EVENTOUT                   |                         |
| 71         | 104     | E11      | B15      | 123     | E1       | 146     | B15      | PA12   | I/O      | FT              |       | TIM1_ETR,<br>USART1_RTS,<br>CAN1_TX, LCD_R5,<br>OTG_FS_DP,<br>EVENTOUT                   |                         |
| 72         | 105     | E12      | A15      | 124     | D3       | 147     | A15      | PA13<br>(JTMS-<br>SWDIO)                             | I/O      | FT              |       | JTMS-SWDIO,<br>EVENTOUT  |                         |
| 73         | 106     | D12      | F13      | 125     | D1       | 148     | E11      | V <sub>CAP_2</sub>                                   | S        |                 |       |  |                         |
| 74         | 107     | J10      | F12      | 126     | D2       | 149     | F10      | V <sub>SS</sub>                                      | S        |                 |       |  |                         |
| 75         | 108     | H4       | G13      | 127     | C1       | 150     | F11      | V <sub>DD</sub>                                      | S        |                 |       |  |                         |
| -          | -       | D13      | E12      | 128     | -        | 151     | E12      | PH13   | I/O      | FT              |       | TIM8_CH1N,<br>CAN1_TX, FMC_D21,<br>LCD_G2, EVENTOUT                                      |                         |
| -          | -       | C13      | E13      | 129     | -        | 152     | E13      | PH14   | I/O      | FT              |       | TIM8_CH2N,<br>FMC_D22, DCMI_D4,<br>LCD_G3, EVENTOUT                                      |                         |
| -          | -       | C12      | D13      | 130     | -        | 153     | D13      | PH15   | I/O      | FT              |       | TIM8_CH3N,<br>FMC_D23, DCMI_D11,<br>LCD_G4, EVENTOUT                                     |                         |
| -          | -       | B13      | E14      | 131     | -        | 154     | E14      | PI0  | I/O      | FT              |       | TIM5_CH4,<br>SPI2_NSS/I2S2_WS <sup>(7)</sup> ,<br>FMC_D24, DCMI_D13,<br>LCD_G5, EVENTOUT |                         |

Table 10. STM32F427xx and STM32F429xx pin and ball definitions (continued)

| Pin number |         |          |          |         |          |         |          | Pin name<br>(function after<br>reset) <sup>(1)</sup> | Pin type | I / O structure | Notes | Alternate functions   | Additional<br>functions |
|------------|---------|----------|----------|---------|----------|---------|----------|--|----------|-----------------|-------|---|-------------------------|
| LQFP100    | LQFP144 | UFBGA169 | UFBGA176 | LQFP176 | WLCSP143 | LQFP208 | TFBGA216 |  |          |                 |       |   |                         |
| -          | -       | C11      | D14      | 132     | -        | 155     | D14      | PI1  | I/O      | FT              |       | SPI2_SCK/I2S2_CK <sup>(7)</sup> ,<br>FMC_D25, DCMI_D8,<br>LCD_G6, EVENTOUT            |                         |
| -          | -       | B12      | C14      | 133     | -        | 156     | C14      | PI2  | I/O      | FT              |       | TIM8_CH4,<br>SPI2_MISO,<br>I2S2ext_SD, FMC_D26,<br>DCMI_D9, LCD_G7,<br>EVENTOUT       |                         |
| -          | -       | A12      | C13      | 134     | -        | 157     | C13      | PI3  | I/O      | FT              |       | TIM8_ETR,<br>SPI2_MOSI/I2S2_SD,<br>FMC_D27, DCMI_D10,<br>EVENTOUT                     |                         |
| -          | -       | D11      | D9       | 135     | F5       | -       | F9       | V <sub>SS</sub>                                      | S        |                 |       |   |                         |
| -          | -       | D3       | C9       | 136     | A1       | 158     | E10      | V <sub>DD</sub>                                      | S        |                 |       |   |                         |
| 76         | 109     | A11      | A14      | 137     | B1       | 159     | A14      | PA14<br>(JTCK-<br>SWCLK)                             | I/O      | FT              |       | JTCK-SWCLK/<br>EVENTOUT   |                         |
| 77         | 110     | B11      | A13      | 138     | C2       | 160     | A13      | PA15<br>(JTDI)                                       | I/O      | FT              |       | JTDI,<br>TIM2_CH1/TIM2_ETR,<br>SPI1_NSS,<br>SPI3_NSS/I2S3_WS,<br>EVENTOUT             |                         |
| 78         | 111     | C10      | B14      | 139     | A2       | 161     | B14      | PC10   | I/O      | FT              |       | SPI3_SCK/I2S3_CK,<br>USART3_TX,<br>UART4_TX, SDIO_D2,<br>DCMI_D8, LCD_R2,<br>EVENTOUT |                         |
| 79         | 112     | B10      | B13      | 140     | B2       | 162     | B13      | PC11   | I/O      | FT              |       | I2S3ext_SD,<br>SPI3_MISO,<br>USART3_RX,<br>UART4_RX, SDIO_D3,<br>DCMI_D4, EVENTOUT    |                         |
| 80         | 113     | A10      | A12      | 141     | C3       | 163     | A12      | PC12   | I/O      | FT              |       | SPI3_MOSI/I2S3_SD,<br>USART3_CK,<br>UART5_TX, SDIO_CK,<br>DCMI_D9, EVENTOUT           |                         |
| 81         | 114     | D9       | B12      | 142     | B3       | 164     | B12      | PD0  | I/O      | FT              |       | CAN1_RX, FMC_D2,<br>EVENTOUT  |                         |

Table 10. STM32F427xx and STM32F429xx pin and ball definitions (continued)

| Pin number |         |           |          |         |          |         |          | Pin name<br>(function after<br>reset) <sup>(1)</sup> | Pin type | I / O structure | Notes | Alternate functions   | Additional<br>functions |
|------------|---------|-----------|----------|---------|----------|---------|----------|--|----------|-----------------|-------|---|-------------------------|
| LQFP100    | LQFP144 | UFBGA169  | UFBGA176 | LQFP176 | WLCSP143 | LQFP208 | TFBGA216 |  |          |                 |       |   |                         |
| 82         | 115     | C9        | C12      | 143     | C4       | 165     | C12      | PD1  | I/O      | FT              |       | CAN1_TX, FMC_D3,<br>EVENTOUT  |                         |
| 83         | 116     | B9        | D12      | 144     | A3       | 166     | D12      | PD2  | I/O      | FT              |       | TIM3_ETR,<br>UART5_RX,<br>SDIO_CMD,<br>DCMI_D11,<br>EVENTOUT                                  |                         |
| 84         | 117     | A9        | D11      | 145     | B4       | 167     | C11      | PD3  | I/O      | FT              |       | SPI2_SCK/I2S2_CK,<br>USART2_CTS,<br>FMC_CLK, DCMI_D5,<br>LCD_G7, EVENTOUT                     |                         |
| 85         | 118     | D8        | D10      | 146     | B5       | 168     | D11      | PD4  | I/O      | FT              |       | USART2_RTS,<br>FMC_NOE,<br>EVENTOUT   |                         |
| 86         | 119     | C8        | C11      | 147     | A4       | 169     | C10      | PD5  | I/O      | FT              |       | USART2_TX,<br>FMC_NWE,<br>EVENTOUT  |                         |
| -          | 120     | -         | D8       | 148     | -        | 170     | F8       | V <sub>SS</sub>                                      | S        |                 |       |   |                         |
| -          | 121     | D6        | C8       | 149     | C5       | 171     | E9       | V <sub>DD</sub>                                      | S        |                 |       |   |                         |
| 87         | 122     | B8        | B11      | 150     | F4       | 172     | B11      | PD6  | I/O      | FT              |       | SPI3_MOSI/I2S3_SD,<br>SAI1_SD_A,<br>USART2_RX,<br>FMC_NWAIT,<br>DCMI_D10, LCD_B2,<br>EVENTOUT |                         |
| 88         | 123     | A8        | A11      | 151     | A5       | 173     | A11      | PD7  | I/O      | FT              |       | USART2_CK,<br>FMC_NE1/FMC_NCE2,<br>EVENTOUT   |                         |
| -          | -       | -         | -        | -       | -        | 174     | B10      | PJ12   | I/O      | FT              |       | LCD_B0, EVENTOUT  |                         |
| -          | -       | -         | -        | -       | -        | 175     | B9       | PJ13   | I/O      | FT              |       | LCD_B1, EVENTOUT  |                         |
| -          | -       | -         | -        | -       | -        | 176     | C9       | PJ14   | I/O      | FT              |       | LCD_B2, EVENTOUT  |                         |
| -          | -       | -         | -        | -       | -        | 177     | D10      | PJ15   | I/O      | FT              |       | LCD_B3, EVENTOUT  |                         |
| -          | 124     | NC<br>(2) | C10      | 152     | E5       | 178     | D9       | PG9  | I/O      | FT              |       | USART6_RX,<br>FMC_NE2/FMC_NCE3,<br>DCMI_VSYNC <sup>(8)</sup> ,<br>EVENTOUT                    |                         |

Table 10. STM32F427xx and STM32F429xx pin and ball definitions (continued)

| Pin number |         |           |          |         |          |         |          | Pin name<br>(function after<br>reset) <sup>(1)</sup> | Pin type | I / O structure | Notes | Alternate functions  | Additional<br>functions |
|------------|---------|-----------|----------|---------|----------|---------|----------|--|----------|-----------------|-------|--|-------------------------|
| LQFP100    | LQFP144 | UFBGA169  | UFBGA176 | LQFP176 | WLCSP143 | LQFP208 | TFBGA216 |  |          |                 |       |  |                         |
| -          | 125     | C7        | B10      | 153     | C6       | 179     | C8       | PG10   | I/O      | FT              |       | LCD_G3,<br>FMC_NCE4_1/FMC_N<br>E3, DCMI_D2,<br>LCD_B2, EVENTOUT                  |                         |
| -          | 126     | B7        | B9       | 154     | B6       | 180     | B8       | PG11   | I/O      | FT              |       | ETH_MII_TX_EN/ETH_<br>RMII_TX_EN,<br>FMC_NCE4_2,<br>DCMI_D3, LCD_B3,<br>EVENTOUT |                         |
| -          | 127     | A7        | B8       | 155     | A6       | 181     | C7       | PG12   | I/O      | FT              |       | SPI6_MISO,<br>USART6_RTS,<br>LCD_B4, FMC_NE4,<br>LCD_B1, EVENTOUT                |                         |
| -          | 128     | NC<br>(2) | A8       | 156     | D6       | 182     | B3       | PG13   | I/O      | FT              |       | SPI6_SCK,<br>USART6_CTS,<br>ETH_MII_TXD0/ETH_R<br>MII_TXD0, FMC_A24,<br>EVENTOUT |                         |
| -          | 129     | NC<br>(2) | A7       | 157     | F6       | 183     | A4       | PG14   | I/O      | FT              |       | SPI6_MOSI,<br>USART6_TX,<br>ETH_MII_TXD1/ETH_R<br>MII_TXD1, FMC_A25,<br>EVENTOUT |                         |
| -          | 130     | D7        | D7       | 158     | -        | 184     | F7       | V <sub>SS</sub>                                      | S        |                 |       |  |                         |
| -          | 131     | L6        | C7       | 159     | E6       | 185     | E8       | V <sub>DD</sub>                                      | S        |                 |       |  |                         |
| -          | -       | -         | -        | -       | -        | 186     | D8       | PK3  | I/O      | FT              |       | LCD_B4, EVENTOUT   |                         |
| -          | -       | -         | -        | -       | -        | 187     | D7       | PK4  | I/O      | FT              |       | LCD_B5, EVENTOUT   |                         |
| -          | -       | -         | -        | -       | -        | 188     | C6       | PK5  | I/O      | FT              |       | LCD_B6, EVENTOUT   |                         |
| -          | -       | -         | -        | -       | -        | 189     | C5       | PK6  | I/O      | FT              |       | LCD_B7, EVENTOUT   |                         |
| -          | -       | -         | -        | -       | -        | 190     | C4       | PK7  | I/O      | FT              |       | LCD_DE, EVENTOUT   |                         |
| -          | 132     | C6        | B7       | 160     | A7       | 191     | B7       | PG15   | I/O      | FT              |       | USART6_CTS,<br>FMC_SDNCAS,<br>DCMI_D13,<br>EVENTOUT                              |                         |

Table 10. STM32F427xx and STM32F429xx pin and ball definitions (continued)

| Pin number |         |          |          |         |          |         |          | Pin name<br>(function after<br>reset) <sup>(1)</sup> | Pin type | I / O structure | Notes | Alternate functions  | Additional<br>functions |
|------------|---------|----------|----------|---------|----------|---------|----------|--|----------|-----------------|-------|--|-------------------------|
| LQFP100    | LQFP144 | UFBGA169 | UFBGA176 | LQFP176 | WLCSP143 | LQFP208 | TFBGA216 |  |          |                 |       |  |                         |
| 89         | 133     | B6       | A10      | 161     | B7       | 192     | A10      | PB3<br>(JTDO/TRACE<br>SWO)                           | I/O      | FT              |       | JTDO/TRACESWO,<br>TIM2_CH2, SPI1_SCK,<br>SPI3_SCK/I2S3_CK,<br>EVENTOUT   |                         |
| 90         | 134     | A6       | A9       | 162     | C7       | 193     | A9       | PB4<br>(NJTRST)                                      | I/O      | FT              |       | NJTRST, TIM3_CH1,<br>SPI1_MISO,<br>SPI3_MISO,<br>I2S3ext_SD,<br>EVENTOUT   |                         |
| 91         | 135     | D5       | A6       | 163     | C8       | 194     | A8       | PB5  | I/O      | FT              |       | TIM3_CH2,<br>I2C1_SMBA,<br>SPI1_MOSI,<br>SPI3_MOSI/I2S3_SD,<br>CAN2_RX,<br>OTG_HS_ULPI_D7,<br>ETH_PPS_OUT,<br>FMC_SDCKE1,<br>DCMI_D10,<br>EVENTOUT |                         |
| 92         | 136     | C5       | B6       | 164     | A8       | 195     | B6       | PB6  | I/O      | FT              |       | TIM4_CH1, I2C1_SCL,<br>USART1_TX,<br>CAN2_TX,<br>FMC_SDNE1,<br>DCMI_D5, EVENTOUT   |                         |
| 93         | 137     | B5       | B5       | 165     | B8       | 196     | B5       | PB7  | I/O      | FT              |       | TIM4_CH2, I2C1_SDA,<br>USART1_RX, FMC_NL,<br>DCMI_VSYNC,<br>EVENTOUT   |                         |
| 94         | 138     | A5       | D6       | 166     | C9       | 197     | E6       | BOOT0  | I        | B               |       |  | V <sub>PP</sub>         |
| 95         | 139     | D4       | A5       | 167     | A9       | 198     | A7       | PB8  | I/O      | FT              |       | TIM4_CH3,<br>TIM10_CH1,<br>I2C1_SCL, CAN1_RX,<br>ETH_MII_TXD3,<br>SDIO_D4, DCMI_D6,<br>LCD_B6, EVENTOUT  |                         |

Table 10. STM32F427xx and STM32F429xx pin and ball definitions (continued)

| Pin number |         |          |          |         |          |         |          | Pin name<br>(function after<br>reset) <sup>(1)</sup> | Pin type | I / O structure | Notes | Alternate functions  | Additional<br>functions |
|------------|---------|----------|----------|---------|----------|---------|----------|--|----------|-----------------|-------|--|-------------------------|
| LQFP100    | LQFP144 | UFBGA169 | UFBGA176 | LQFP176 | WLCSP143 | LQFP208 | TFBGA216 |  |          |                 |       |  |                         |
| 96         | 140     | C4       | B4       | 168     | B9       | 199     | B4       | PB9  | I/O      | FT              |       | TIM4_CH4,<br>TIM11_CH1,<br>I2C1_SDA,<br>SPI2_NSS/I2S2_WS,<br>CAN1_TX, SDIO_D5,<br>DCMI_D7, LCD_B7,<br>EVENTOUT |                         |
| 97         | 141     | B4       | A4       | 169     | B10      | 200     | A6       | PE0  | I/O      | FT              |       | TIM4_ETR,<br>UART8_RX,<br>FMC_NBL0, DCMI_D2,<br>EVENTOUT   |                         |
| 98         | 142     | A4       | A3       | 170     | A10      | 201     | A5       | PE1  | I/O      | FT              |       | UART8_Tx,<br>FMC_NBL1, DCMI_D3,<br>EVENTOUT  |                         |
| 99         | -       | F5       | D5       | -       | -        | 202     | F6       | V <sub>SS</sub>                                      | S        |                 |       |  |                         |
| -          | 143     | C3       | C6       | 171     | A11      | 203     | E5       | PDR_ON   | S        |                 |       |  |                         |
| 100        | 144     | K6       | C5       | 172     | D7       | 204     | E7       | V <sub>DD</sub>                                      | S        |                 |       |  |                         |
| -          | -       | B3       | D4       | 173     | -        | 205     | C3       | PI4  | I/O      | FT              |       | TIM8_BKIN,<br>FMC_NBL2, DCMI_D5,<br>LCD_B4, EVENTOUT   |                         |
| -          | -       | A3       | C4       | 174     | -        | 206     | D3       | PI5  | I/O      | FT              |       | TIM8_CH1,<br>FMC_NBL3,<br>DCMI_VSYNC,<br>LCD_B5, EVENTOUT  |                         |
| -          | -       | A2       | C3       | 175     | -        | 207     | D6       | PI6  | I/O      | FT              |       | TIM8_CH2, FMC_D28,<br>DCMI_D6, LCD_B6,<br>EVENTOUT   |                         |
| -          | -       | B1       | C2       | 176     | -        | 208     | D4       | PI7  | I/O      | FT              |       | TIM8_CH3, FMC_D29,<br>DCMI_D7, LCD_B7,<br>EVENTOUT   |                         |

- Function availability depends on the chosen device.
- NC (not-connected) pins are not bonded. They must be configured by software to output push-pull and forced to 0 in the output data register to avoid extra current consumption in low power modes.
- PC13, PC14, PC15 and PI8 are supplied through the power switch. Since the switch only sinks a limited amount of current (3 mA), the use of GPIOs PC13 to PC15 and PI8 in output mode is limited:
  - The speed should not exceed 2 MHz with a maximum load of 30 pF.
  - These I/Os must not be used as a current source (e.g. to drive an LED).

4. Main function after the first backup domain power-up. Later on, it depends on the contents of the RTC registers even after reset (because these registers are not reset by the main reset). For details on how to manage these I/Os, refer to the RTC register description sections in the STM32F4xx reference manual, available from the STMicroelectronics website: [www.st.com](http://www.st.com).
5. FT = 5 V tolerant except when in analog mode or oscillator mode (for PC14, PC15, PH0 and PH1).
6. If the device is delivered in an WLCSP143, UFBGA169, UFBGA176, LQFP176 or TFBGA216 package, and the BYPASS\_REG pin is set to  $V_{DD}$  (Regulator OFF/internal reset ON mode), then PA0 is used as an internal Reset (active low).
7. PI0 and PI1 cannot be used for I2S2 full-duplex mode.
8. The DCMI\_VSYNC alternate function on PG9 is only available on silicon revision 3.

Table 11. FMC pin definition

| Pin name | CF  | NOR/PSRAM/<br>SRAM | NOR/PSRAM<br>Mux | NAND16 | SDRAM |
|----------|-----|--------------------|------------------|--------|-------|
| PF0      | A0  | A0                 |                  |        | A0    |
| PF1      | A1  | A1                 |                  |        | A1    |
| PF2      | A2  | A2                 |                  |        | A2    |
| PF3      | A3  | A3                 |                  |        | A3    |
| PF4      | A4  | A4                 |                  |        | A4    |
| PF5      | A5  | A5                 |                  |        | A5    |
| PF12     | A6  | A6                 |                  |        | A6    |
| PF13     | A7  | A7                 |                  |        | A7    |
| PF14     | A8  | A8                 |                  |        | A8    |
| PF15     | A9  | A9                 |                  |        | A9    |
| PG0      | A10 | A10                |                  |        | A10   |
| PG1      |     | A11                |                  |        | A11   |
| PG2      |     | A12                |                  |        | A12   |
| PG3      |     | A13                |                  |        |       |
| PG4      |     | A14                |                  |        | BA0   |
| PG5      |     | A15                |                  |        | BA1   |
| PD11     |     | A16                | A16              | CLE    |       |
| PD12     |     | A17                | A17              | ALE    |       |
| PD13     |     | A18                | A18              |        |       |
| PE3      |     | A19                | A19              |        |       |
| PE4      |     | A20                | A20              |        |       |
| PE5      |     | A21                | A21              |        |       |
| PE6      |     | A22                | A22              |        |       |
| PE2      |     | A23                | A23              |        |       |
| PG13     |     | A24                | A24              |        |       |
| PG14     |     | A25                | A25              |        |       |
| PD14     | D0  | D0                 | DA0              | D0     | D0    |
| PD15     | D1  | D1                 | DA1              | D1     | D1    |
| PD0      | D2  | D2                 | DA2              | D2     | D2    |
| PD1      | D3  | D3                 | DA3              | D3     | D3    |
| PE7      | D4  | D4                 | DA4              | D4     | D4    |
| PE8      | D5  | D5                 | DA5              | D5     | D5    |
| PE9      | D6  | D6                 | DA6              | D6     | D6    |
| PE10     | D7  | D7                 | DA7              | D7     | D7    |

Table 11. FMC pin definition (continued)

| Pin name | CF     | NOR/PSRAM/<br>SRAM | NOR/PSRAM<br>Mux | NAND16 | SDRAM |
|----------|--------|--------------------|------------------|--------|-------|
| PE11     | D8     | D8                 | DA8              | D8     | D8    |
| PE12     | D9     | D9                 | DA9              | D9     | D9    |
| PE13     | D10    | D10                | DA10             | D10    | D10   |
| PE14     | D11    | D11                | DA11             | D11    | D11   |
| PE15     | D12    | D12                | DA12             | D12    | D12   |
| PD8      | D13    | D13                | DA13             | D13    | D13   |
| PD9      | D14    | D14                | DA14             | D14    | D14   |
| PD10     | D15    | D15                | DA15             | D15    | D15   |
| PH8      |        | D16                |                  |        | D16   |
| PH9      |        | D17                |                  |        | D17   |
| PH10     |        | D18                |                  |        | D18   |
| PH11     |        | D19                |                  |        | D19   |
| PH12     |        | D20                |                  |        | D20   |
| PH13     |        | D21                |                  |        | D21   |
| PH14     |        | D22                |                  |        | D22   |
| PH15     |        | D23                |                  |        | D23   |
| PI0      |        | D24                |                  |        | D24   |
| PI1      |        | D25                |                  |        | D25   |
| PI2      |        | D26                |                  |        | D26   |
| PI3      |        | D27                |                  |        | D27   |
| PI6      |        | D28                |                  |        | D28   |
| PI7      |        | D29                |                  |        | D29   |
| PI9      |        | D30                |                  |        | D30   |
| PI10     |        | D31                |                  |        | D31   |
| PD7      |        | NE1                | NE1              | NCE2   |       |
| PG9      |        | NE2                | NE2              | NCE3   |       |
| PG10     | NCE4_1 | NE3                | NE3              |        |       |
| PG11     | NCE4_2 |                    |                  |        |       |
| PG12     |        | NE4                | NE4              |        |       |
| PD3      |        | CLK                | CLK              |        |       |
| PD4      | NOE    | NOE                | NOE              | NOE    |       |
| PD5      | NWE    | NWE                | NWE              | NWE    |       |
| PD6      | NWAIT  | NWAIT              | NWAIT            | NWAIT  |       |
| PB7      |        | NADV               | NADV             |        |       |

Table 11. FMC pin definition (continued)

| Pin name | CF    | NOR/PSRAM/<br>SRAM | NOR/PSRAM<br>Mux | NAND16 | SDRAM  |
|----------|-------|--------------------|------------------|--------|--------|
| PF6      | NIORD |                    |                  |        |        |
| PF7      | NREG  |                    |                  |        |        |
| PF8      | NIOWR |                    |                  |        |        |
| PF9      | CD    |                    |                  |        |        |
| PF10     | INTR  |                    |                  |        |        |
| PG6      |       |                    |                  | INT2   |        |
| PG7      |       |                    |                  | INT3   |        |
| PE0      |       | NBL0               | NBL0             |        | NBL0   |
| PE1      |       | NBL1               | NBL1             |        | NBL1   |
| PI4      |       | NBL2               |                  |        | NBL2   |
| PI5      |       | NBL3               |                  |        | NBL3   |
| PG8      |       |                    |                  |        | SDCLK  |
| PC0      |       |                    |                  |        | SDNWE  |
| PF11     |       |                    |                  |        | SDNRAS |
| PG15     |       |                    |                  |        | SDNCAS |
| PH2      |       |                    |                  |        | SDCKE0 |
| PH3      |       |                    |                  |        | SDNE0  |
| PH6      |       |                    |                  |        | SDNE1  |
| PH7      |       |                    |                  |        | SDCKE1 |
| PH5      |       |                    |                  |        | SDNWE  |
| PC2      |       |                    |                  |        | SDNE0  |
| PC3      |       |                    |                  |        | SDCKE0 |
| PB5      |       |                    |                  |        | SDCKE1 |
| PB6      |       |                    |                  |        | SDNE1  |



**Table 12. STM32F427xx and STM32F429xx alternate function mapping**

| Port   |      | AF0          | AF1                       | AF2          | AF3              | AF4           | AF5                | AF6                      | AF7                 | AF8                    | AF9                            | AF10                    | AF11  | AF12                                      | AF13            | AF14          | AF15         |
|--------|------|--------------|---------------------------|--------------|------------------|---------------|--------------------|--------------------------|---------------------|------------------------|--------------------------------|-------------------------|---|---|-----------------|---------------|--------------|
|        |      | SYS          | TIM1/2                    | TIM3/4/5     | TIM8/9/<br>10/11 | I2C1/<br>2/3  | SPI1/2/<br>3/4/5/6 | SPI2/3/S<br>AI1          | SPI3/US<br>ART1/2/3 | USART6/U<br>ART4/5/7/8 | CAN1/2/TIM<br>12/13/14/<br>LCD | OTG2_HS<br>/OTG1_<br>FS | ETH   | FMC/SDIO<br>/OTG2_FS                      | DCMI            | LCD           | SYS          |
| Port A | PA0  | -            | TIM2_<br>CH1/TIM2_<br>ETR | TIM5_<br>CH1 | TIM8_<br>ETR     | -             | -                  | -                        | USART2_<br>CTS      | UART4_TX               | -                              | -                       | ETH_MII_<br>CRS                             | -   | -               | -             | EVEN<br>TOUT |
|        | PA1  | -            | TIM2_<br>CH2              | TIM5_<br>CH2 | -                | -             | -                  | -                        | USART2_<br>RTS      | UART4_RX               | -                              | -                       | ETH_MII_<br>RX_CLK/E<br>TH_RMII_<br>REF_CLK | -   | -               | -             | EVEN<br>TOUT |
|        | PA2  | -            | TIM2_<br>CH3              | TIM5_<br>CH3 | TIM9_<br>CH1     | -             | -                  | -                        | USART2_<br>TX       | -                      | -                              | -                       | ETH_<br>MDIO                                | -   | -               | -             | EVEN<br>TOUT |
|        | PA3  | -            | TIM2_<br>CH4              | TIM5_<br>CH4 | TIM9_<br>CH2     | -             | -                  | -                        | USART2_<br>RX       | -                      | -                              | OTG_HS_<br>ULPI_D0      | ETH_MII_<br>COL                             | -   | -               | LCD_B5        | EVEN<br>TOUT |
|        | PA4  | -            | -                         | -            | -                | -             | SPI1_<br>NSS       | SPI3_<br>NSS/<br>I2S3_WS | USART2_<br>CK       | -                      | -                              | -                       | -   | OTG_HS_<br>SOF                            | DCMI_<br>HSYNC  | LCD_<br>VSYNC | EVEN<br>TOUT |
|        | PA5  | -            | TIM2_<br>CH1/TIM2_<br>ETR | -            | TIM8_<br>CH1N    | -             | SPI1_<br>SCK       | -                        | -                   | -                      | -                              | OTG_HS_<br>ULPI_CK      | -   | -   | -               | -             | EVEN<br>TOUT |
|        | PA6  | -            | TIM1_<br>BKIN             | TIM3_<br>CH1 | TIM8_<br>BKIN    | -             | SPI1_<br>MISO      | -                        | -                   | -                      | -                              | TIM13_CH1               | -   | -   | DCMI_<br>PIXCLK | LCD_G2        | EVEN<br>TOUT |
|        | PA7  | -            | TIM1_<br>CH1N             | TIM3_<br>CH2 | TIM8_<br>CH1N    | -             | SPI1_<br>MOSI      | -                        | -                   | -                      | -                              | TIM14_CH1               | -   | ETH_MII_<br>RX_DV/<br>ETH_RMII_<br>CRS_DV | -               | -             | EVEN<br>TOUT |
|        | PA8  | MCO1         | TIM1_<br>CH1              | -            | -                | I2C3_<br>SCL  | -                  | -                        | USART1_<br>CK       | -                      | -                              | -                       | OTG_FS_<br>SOF                              | -   | -               | LCD_R6        | EVEN<br>TOUT |
|        | PA9  | -            | TIM1_<br>CH2              | -            | -                | I2C3_<br>SMBA | -                  | -                        | USART1_<br>TX       | -                      | -                              | -                       | -   | -   | DCMI_<br>D0     | -             | EVEN<br>TOUT |
|        | PA10 | -            | TIM1_<br>CH3              | -            | -                | -             | -                  | -                        | USART1_<br>RX       | -                      | -                              | -                       | OTG_FS_<br>ID                               | -   | DCMI_<br>D1     | -             | EVEN<br>TOUT |
|        | PA11 | -            | TIM1_<br>CH4              | -            | -                | -             | -                  | -                        | USART1_<br>CTS      | -                      | -                              | CAN1_RX                 | OTG_FS_<br>DM                               | -   | -               | LCD_R4        | EVEN<br>TOUT |
| PA12   | -    | TIM1_<br>ETR | -                         | -            | -                | -             | -                  | USART1_<br>RTS           | -                   | -                      | CAN1_TX                        | OTG_FS_<br>DP           | -   | -   | LCD_R5          | EVEN<br>TOUT  |              |



Table 12. STM32F427xx and STM32F429xx alternate function mapping (continued)

| Port   |      | AF0                   | AF1                       | AF2          | AF3              | AF4                      | AF5                      | AF6                       | AF7                 | AF8                    | AF9                            | AF10                    | AF11               | AF12                 | AF13           | AF14           | AF15   |              |              |
|--------|------|-----------------------|---------------------------|--------------|------------------|--------------------------|--------------------------|---------------------------|---------------------|------------------------|--------------------------------|-------------------------|--------------------|----------------------|----------------|----------------|--------|--------------|--------------|
|        |      | SYS                   | TIM1/2                    | TIM3/4/5     | TIM8/9/<br>10/11 | I2C1/<br>2/3             | SPI1/2/<br>3/4/5/6       | SPI2/3/S<br>AI1           | SPI3/US<br>ART1/2/3 | USART6/U<br>ART4/5/7/8 | CAN1/2/TIM<br>12/13/14/<br>LCD | OTG2_HS<br>/OTG1_<br>FS | ETH                | FMC/SDIO<br>/OTG2_FS | DCMI           | LCD            | SYS    |              |              |
| Port A | PA13 | JTMS-<br>SWDI<br>O    | -                         | -            | -                | -                        | -                        | -                         | -                   | -                      | -                              | -                       | -                  | -                    | -              | -              | -      | EVEN<br>TOUT |              |
|        | PA14 | JTCK-<br>SWCL<br>K    | -                         | -            | -                | -                        | -                        | -                         | -                   | -                      | -                              | -                       | -                  | -                    | -              | -              | -      | EVEN<br>TOUT |              |
|        | PA15 | JTDI                  | TIM2_<br>CH1/TIM2<br>_ETR | -            | -                | -                        | SPI1_<br>NSS             | SPI3_<br>NSS/<br>I2S3_WS  | -                   | -                      | -                              | -                       | -                  | -                    | -              | -              | -      | -            | EVEN<br>TOUT |
| Port B | PB0  | -                     | TIM1_<br>CH2N             | TIM3_<br>CH3 | TIM8_<br>CH2N    | -                        | -                        | -                         | -                   | -                      | LCD_R3                         | OTG_HS_<br>ULPI_D1      | ETH_MII_<br>RXD2   | -                    | -              | -              | -      | EVEN<br>TOUT |              |
|        | PB1  | -                     | TIM1_<br>CH3N             | TIM3_<br>CH4 | TIM8_<br>CH3N    | -                        | -                        | -                         | -                   | -                      | LCD_R6                         | OTG_HS_<br>ULPI_D2      | ETH_MII_<br>RXD3   | -                    | -              | -              | -      | EVEN<br>TOUT |              |
|        | PB2  | -                     | -                         | -            | -                | -                        | -                        | -                         | -                   | -                      | -                              | -                       | -                  | -                    | -              | -              | -      | EVEN<br>TOUT |              |
|        | PB3  | JTDO/<br>TRAC<br>ESWO | TIM2_<br>CH2              | -            | -                | -                        | SPI1_<br>SCK             | SPI3_<br>SCK/<br>I2S3_CK  | -                   | -                      | -                              | -                       | -                  | -                    | -              | -              | -      | -            | EVEN<br>TOUT |
|        | PB4  | NJTR<br>ST            | -                         | TIM3_<br>CH1 | -                | -                        | SPI1_<br>MISO            | SPI3_<br>MISO             | I2S3ext_<br>SD      | -                      | -                              | -                       | -                  | -                    | -              | -              | -      | -            | EVEN<br>TOUT |
|        | PB5  | -                     | -                         | TIM3_<br>CH2 | -                | I2C1_<br>SMBA            | SPI1_<br>MOSI            | SPI3_<br>MOSI/<br>I2S3_SD | -                   | -                      | -                              | CAN2_RX                 | OTG_HS_<br>ULPI_D7 | ETH_PPS_<br>OUT      | FMC_<br>SDCKE1 | DCMI_<br>D10   | -      | -            | EVEN<br>TOUT |
|        | PB6  | -                     | -                         | TIM4_<br>CH1 | -                | I2C1_<br>SCL             | -                        | -                         | USART1_<br>TX       | -                      | -                              | CAN2_TX                 | -                  | -                    | FMC_<br>SDNE1  | DCMI_<br>D5    | -      | -            | EVEN<br>TOUT |
|        | PB7  | -                     | -                         | TIM4_<br>CH2 | -                | I2C1_<br>SDA             | -                        | -                         | USART1_<br>RX       | -                      | -                              | -                       | -                  | -                    | FMC_NL         | DCMI_<br>VSYNC | -      | -            | EVEN<br>TOUT |
|        | PB8  | -                     | -                         | TIM4_<br>CH3 | TIM10_<br>CH1    | I2C1_<br>SCL             | -                        | -                         | -                   | -                      | -                              | CAN1_RX                 | -                  | ETH_MII_<br>TXD3     | SDIO_D4        | DCMI_<br>D6    | LCD_B6 | -            | EVEN<br>TOUT |
|        | PB9  | -                     | -                         | TIM4_<br>CH4 | TIM11_<br>CH1    | I2C1_<br>SDA             | SPI2_<br>NSS/I2<br>S2_WS | -                         | -                   | -                      | -                              | CAN1_TX                 | -                  | -                    | SDIO_D5        | DCMI_<br>D7    | LCD_B7 | -            | EVEN<br>TOUT |
| PB10   | -    | TIM2_<br>CH3          | -                         | -            | I2C2_<br>SCL     | SPI2_<br>SCK/I2<br>S2_CK | -                        | -                         | USART3_<br>TX       | -                      | -                              | OTG_HS_<br>ULPI_D3      | ETH_MII_<br>RX_ER  | -                    | -              | -              | LCD_G4 | -            | EVEN<br>TOUT |

**Table 12. STM32F427xx and STM32F429xx alternate function mapping (continued)**

| Port   |      | AF0           | AF1           | AF2          | AF3              | AF4           | AF5                       | AF6             | AF7                 | AF8                    | AF9                            | AF10                    | AF11                                     | AF12                 | AF13        | AF14          | AF15         |
|--------|------|---------------|---------------|--------------|------------------|---------------|---------------------------|-----------------|---------------------|------------------------|--------------------------------|-------------------------|--|----------------------|-------------|---------------|--------------|
|        |      | SYS           | TIM1/2        | TIM3/4/5     | TIM8/9/<br>10/11 | I2C1/<br>2/3  | SPI1/2/<br>3/4/5/6        | SPI2/3/S<br>AI1 | SPI3/US<br>ART1/2/3 | USART6/U<br>ART4/5/7/8 | CAN1/2/TIM<br>12/13/14/<br>LCD | OTG2_HS<br>/OTG1_<br>FS | ETH                                      | FMC/SDIO<br>/OTG2_FS | DCMI        | LCD           | SYS          |
| Port B | PB11 | -             | TIM2_<br>CH4  | -            | -                | I2C2_<br>SDA  | -                         | -               | USART3_<br>RX       | -                      | -                              | OTG_HS_<br>ULPI_D4      | ETH_MII_<br>TX_EN/<br>ETH_RMII_<br>TX_EN | -                    | -           | LCD_G5        | EVEN<br>TOUT |
|        | PB12 | -             | TIM1_<br>BKIN | -            | -                | I2C2_<br>SMBA | SPI2_<br>NSS/I2<br>S2_WS  | -               | USART3_<br>CK       | -                      | CAN2_RX                        | OTG_HS_<br>ULPI_D5      | ETH_MII_<br>TXD0/ETH_<br>RMII_<br>TXD0   | OTG_HS_<br>ID        | -           | -             | EVEN<br>TOUT |
|        | PB13 | -             | TIM1_<br>CH1N | -            | -                | -             | SPI2_<br>SCK/I2<br>S2_CK  | -               | USART3_<br>CTS      | -                      | CAN2_TX                        | OTG_HS_<br>ULPI_D6      | ETH_MII_<br>TXD1/ETH_<br>RMII_TX<br>D1   | -                    | -           | -             | EVEN<br>TOUT |
|        | PB14 | -             | TIM1_<br>CH2N | -            | TIM8_<br>CH2N    | -             | SPI2_<br>MISO             | I2S2ext_<br>SD  | USART3_<br>RTS      | -                      | TIM12_CH1                      | -                       | -  | OTG_HS_<br>DM        | -           | -             | EVEN<br>TOUT |
|        | PB15 | RTC_<br>REFIN | TIM1_<br>CH3N | -            | TIM8_<br>CH3N    | -             | SPI2_<br>MOSI/I2<br>S2_SD | -               | -                   | -                      | TIM12_CH2                      | -                       | -  | OTG_HS_<br>DP        | -           | -             | EVEN<br>TOUT |
| Port C | PC0  | -             | -             | -            | -                | -             | -                         | -               | -                   | -                      | -                              | OTG_HS_<br>ULPI_STP     | -  | FMC_SDN<br>WE        | -           | -             | EVEN<br>TOUT |
|        | PC1  | -             | -             | -            | -                | -             | -                         | -               | -                   | -                      | -                              | -                       | ETH_MDC                                  | -                    | -           | -             | EVEN<br>TOUT |
|        | PC2  | -             | -             | -            | -                | -             | SPI2_<br>MISO             | I2S2ext_<br>SD  | -                   | -                      | -                              | OTG_HS_<br>ULPI_DIR     | ETH_MII_<br>TXD2                         | FMC_<br>SDNE0        | -           | -             | EVEN<br>TOUT |
|        | PC3  | -             | -             | -            | -                | -             | SPI2_<br>MOSI/I2<br>S2_SD | -               | -                   | -                      | -                              | OTG_HS_<br>ULPI_NXT     | ETH_MII_<br>TX_CLK                       | FMC_<br>SDCKE0       | -           | -             | EVEN<br>TOUT |
|        | PC4  | -             | -             | -            | -                | -             | -                         | -               | -                   | -                      | -                              | -                       | ETH_MII_<br>RXD0/ETH_<br>RMII_<br>RXD0   | -                    | -           | -             | EVEN<br>TOUT |
|        | PC5  | -             | -             | -            | -                | -             | -                         | -               | -                   | -                      | -                              | -                       | ETH_MII_<br>RXD1/ETH_<br>RMII_<br>RXD1   | -                    | -           | -             | EVEN<br>TOUT |
|        | PC6  | -             | -             | TIM3_<br>CH1 | TIM8_<br>CH1     | -             | I2S2_<br>MCK              | -               | -                   | USART6_<br>TX          | -                              | -                       | -  | SDIO_D6              | DCMI_<br>D0 | LCD_<br>HSYNC | EVEN<br>TOUT |
|        | PC7  | -             | -             | TIM3_<br>CH2 | TIM8_<br>CH2     | -             | -                         | I2S3_<br>MCK    | -                   | USART6_<br>RX          | -                              | -                       | -  | SDIO_D7              | DCMI_<br>D1 | LCD_G6        | EVEN<br>TOUT |



Table 12. STM32F427xx and STM32F429xx alternate function mapping (continued)

| Port      |      | AF0  | AF1    | AF2          | AF3              | AF4          | AF5                | AF6                       | AF7                 | AF8                    | AF9                            | AF10                    | AF11 | AF12                 | AF13          | AF14         | AF15         |              |
|-----------|------|------|--------|--------------|------------------|--------------|--------------------|---------------------------|---------------------|------------------------|--------------------------------|-------------------------|------|----------------------|---------------|--------------|--------------|--------------|
|           |      | SYS  | TIM1/2 | TIM3/4/5     | TIM8/9/<br>10/11 | I2C1/<br>2/3 | SPI1/2/<br>3/4/5/6 | SPI2/3/S<br>AI1           | SPI3/US<br>ART1/2/3 | USART6/U<br>ART4/5/7/8 | CAN1/2/TIM<br>12/13/14/<br>LCD | OTG2_HS<br>/OTG1_<br>FS | ETH  | FMC/SDIO<br>/OTG2_FS | DCMI          | LCD          | SYS          |              |
| Port<br>C | PC8  | -    | -      | TIM3_<br>CH3 | TIM8_<br>CH3     | -            | -                  | -                         | -                   | USART6_<br>CK          | -                              | -                       | -    | SDIO_D0              | DCMI_<br>D2   | -            | EVEN<br>TOUT |              |
|           | PC9  | MCO2 | -      | TIM3_<br>CH4 | TIM8_<br>CH4     | I2C3_<br>SDA | I2S_<br>CKIN       | -                         | -                   | -                      | -                              | -                       | -    | SDIO_D1              | DCMI_<br>D3   | -            | EVEN<br>TOUT |              |
|           | PC10 | -    | -      | -            | -                | -            | -                  | SPI3_<br>SCK/I2S<br>3_CK  | USART3_<br>TX       | UART4_TX               | -                              | -                       | -    | SDIO_D2              | DCMI_<br>D8   | LCD_R2       | EVEN<br>TOUT |              |
|           | PC11 | -    | -      | -            | -                | -            | I2S3ext_<br>SD     | SPI3_<br>MISO             | USART3_<br>RX       | UART4_RX               | -                              | -                       | -    | SDIO_D3              | DCMI_<br>D4   | -            | EVEN<br>TOUT |              |
|           | PC12 | -    | -      | -            | -                | -            | -                  | SPI3_<br>MOSI/I2<br>S3_SD | USART3_<br>CK       | UART5_TX               | -                              | -                       | -    | SDIO_CK              | DCMI_<br>D9   | -            | EVEN<br>TOUT |              |
|           | PC13 | -    | -      | -            | -                | -            | -                  | -                         | -                   | -                      | -                              | -                       | -    | -                    | -             | -            | -            | EVEN<br>TOUT |
|           | PC14 | -    | -      | -            | -                | -            | -                  | -                         | -                   | -                      | -                              | -                       | -    | -                    | -             | -            | -            | EVEN<br>TOUT |
|           | PC15 | -    | -      | -            | -                | -            | -                  | -                         | -                   | -                      | -                              | -                       | -    | -                    | -             | -            | -            | EVEN<br>TOUT |
| Port<br>D | PD0  | -    | -      | -            | -                | -            | -                  | -                         | -                   | -                      | -                              | CAN1_RX                 | -    | FMC_D2               | -             | -            | EVEN<br>TOUT |              |
|           | PD1  | -    | -      | -            | -                | -            | -                  | -                         | -                   | -                      | -                              | CAN1_TX                 | -    | FMC_D3               | -             | -            | EVEN<br>TOUT |              |
|           | PD2  | -    | -      | TIM3_<br>ETR | -                | -            | -                  | -                         | -                   | UART5_RX               | -                              | -                       | -    | SDIO_<br>CMD         | DCMI_<br>D11  | -            | EVEN<br>TOUT |              |
|           | PD3  | -    | -      | -            | -                | -            | -                  | SPI2_S<br>CK/I<br>2S2_CK  | -                   | USART2_<br>CTS         | -                              | -                       | -    | FMC_CLK              | DCMI_<br>D5   | LCD_G7       | EVEN<br>TOUT |              |
|           | PD4  | -    | -      | -            | -                | -            | -                  | -                         | USART2_<br>RTS      | -                      | -                              | -                       | -    | FMC_NOE              | -             | -            | EVEN<br>TOUT |              |
|           | PD5  | -    | -      | -            | -                | -            | -                  | -                         | USART2_<br>TX       | -                      | -                              | -                       | -    | FMC_NWE              | -             | -            | EVEN<br>TOUT |              |
|           | PD6  | -    | -      | -            | -                | -            | -                  | SPI3_<br>MOSI/I2<br>S3_SD | SAI1_<br>SD_A       | USART2_<br>RX          | -                              | -                       | -    | -                    | FMC_<br>NWAIT | DCMI_<br>D10 | LCD_B2       | EVEN<br>TOUT |



**Table 12. STM32F427xx and STM32F429xx alternate function mapping (continued)**

| Port   |      | AF0          | AF1    | AF2          | AF3              | AF4          | AF5                | AF6             | AF7                 | AF8                    | AF9                            | AF10                    | AF11             | AF12                    | AF13        | AF14   | AF15         |
|--------|------|--------------|--------|--------------|------------------|--------------|--------------------|-----------------|---------------------|------------------------|--------------------------------|-------------------------|------------------|-------------------------|-------------|--------|--------------|
|        |      | SYS          | TIM1/2 | TIM3/4/5     | TIM8/9/<br>10/11 | I2C1/<br>2/3 | SPI1/2/<br>3/4/5/6 | SPI2/3/S<br>AI1 | SPI3/US<br>ART1/2/3 | USART6/U<br>ART4/5/7/8 | CAN1/2/TIM<br>12/13/14/<br>LCD | OTG2_HS<br>/OTG1_<br>FS | ETH              | FMC/SDIO<br>/OTG2_FS    | DCMI        | LCD    | SYS          |
| Port D | PD7  | -            | -      | -            | -                | -            | -                  | -               | USART2_<br>CK       | -                      | -                              | -                       | -                | FMC_NE1/<br>FMC<br>NCE2 | -           | -      | EVEN<br>TOUT |
|        | PD8  | -            | -      | -            | -                | -            | -                  | -               | USART3_<br>TX       | -                      | -                              | -                       | -                | FMC_D13                 | -           | -      | EVEN<br>TOUT |
|        | PD9  | -            | -      | -            | -                | -            | -                  | -               | USART3_<br>RX       | -                      | -                              | -                       | -                | FMC_D14                 | -           | -      | EVEN<br>TOUT |
|        | PD10 | -            | -      | -            | -                | -            | -                  | -               | USART3_<br>CK       | -                      | -                              | -                       | -                | FMC_D15                 | -           | LCD_B3 | EVEN<br>TOUT |
|        | PD11 | -            | -      | -            | -                | -            | -                  | -               | USART3_<br>CTS      | -                      | -                              | -                       | -                | FMC_A16                 | -           | -      | EVEN<br>TOUT |
|        | PD12 | -            | -      | TIM4_<br>CH1 | -                | -            | -                  | -               | USART3_<br>RTS      | -                      | -                              | -                       | -                | FMC_A17                 | -           | -      | EVEN<br>TOUT |
|        | PD13 | -            | -      | TIM4_<br>CH2 | -                | -            | -                  | -               | -                   | -                      | -                              | -                       | -                | FMC_A18                 | -           | -      | EVEN<br>TOUT |
|        | PD14 | -            | -      | TIM4_<br>CH3 | -                | -            | -                  | -               | -                   | -                      | -                              | -                       | -                | FMC_D0                  | -           | -      | EVEN<br>TOUT |
|        | PD15 | -            | -      | TIM4_<br>CH4 | -                | -            | -                  | -               | -                   | -                      | -                              | -                       | -                | FMC_D1                  | -           | -      | EVEN<br>TOUT |
| Port E | PE0  | -            | -      | TIM4_<br>ETR | -                | -            | -                  | -               | -                   | UART8_Rx               | -                              | -                       | -                | FMC_<br>NBL0            | DCMI_<br>D2 | -      | EVEN<br>TOUT |
|        | PE1  | -            | -      | -            | -                | -            | -                  | -               | -                   | UART8_Tx               | -                              | -                       | -                | FMC_<br>NBL1            | DCMI_<br>D3 | -      | EVEN<br>TOUT |
|        | PE2  | TRAC<br>ECLK | -      | -            | -                | -            | SPI4_<br>SCK       | SAI1_<br>MCLK_A | -                   | -                      | -                              | -                       | ETH_MII_<br>TXD3 | FMC_A23                 | -           | -      | EVEN<br>TOUT |
|        | PE3  | TRAC<br>ED0  | -      | -            | -                | -            | -                  | SAI1_<br>SD_B   | -                   | -                      | -                              | -                       | -                | FMC_A19                 | -           | -      | EVEN<br>TOUT |
|        | PE4  | TRAC<br>ED1  | -      | -            | -                | -            | SPI4_<br>NSS       | SAI1_<br>FS_A   | -                   | -                      | -                              | -                       | -                | FMC_A20                 | DCMI_<br>D4 | LCD_B0 | EVEN<br>TOUT |
|        | PE5  | TRAC<br>ED2  | -      | -            | TIM9_<br>CH1     | -            | SPI4_M<br>ISO      | SAI1_<br>SCK_A  | -                   | -                      | -                              | -                       | -                | FMC_A21                 | DCMI_<br>D6 | LCD_G0 | EVEN<br>TOUT |
|        | PE6  | TRAC<br>ED3  | -      | -            | TIM9_<br>CH2     | -            | SPI4_<br>MOSI      | SAI1_<br>SD_A   | -                   | -                      | -                              | -                       | -                | FMC_A22                 | DCMI_<br>D7 | LCD_G1 | EVEN<br>TOUT |



Table 12. STM32F427xx and STM32F429xx alternate function mapping (continued)

| Port   |      | AF0 | AF1       | AF2      | AF3              | AF4          | AF5                | AF6             | AF7                 | AF8                    | AF9                            | AF10                    | AF11 | AF12                 | AF13      | AF14    | AF15      |           |
|--------|------|-----|-----------|----------|------------------|--------------|--------------------|-----------------|---------------------|------------------------|--------------------------------|-------------------------|------|----------------------|-----------|---------|-----------|-----------|
|        |      | SYS | TIM1/2    | TIM3/4/5 | TIM8/9/<br>10/11 | I2C1/<br>2/3 | SPI1/2/<br>3/4/5/6 | SPI2/3/S<br>AI1 | SPI3/US<br>ART1/2/3 | USART6/U<br>ART4/5/7/8 | CAN1/2/TIM<br>12/13/14/<br>LCD | OTG2_HS<br>/OTG1_<br>FS | ETH  | FMC/SDIO<br>/OTG2_FS | DCMI      | LCD     | SYS       |           |
| Port E | PE7  | -   | TIM1_ETR  | -        | -                | -            | -                  | -               | -                   | UART7_Rx               | -                              | -                       | -    | FMC_D4               | -         | -       | EVEN TOUT |           |
|        | PE8  | -   | TIM1_CH1N | -        | -                | -            | -                  | -               | -                   | UART7_Tx               | -                              | -                       | -    | FMC_D5               | -         | -       | EVEN TOUT |           |
|        | PE9  | -   | TIM1_CH1  | -        | -                | -            | -                  | -               | -                   | -                      | -                              | -                       | -    | FMC_D6               | -         | -       | EVEN TOUT |           |
|        | PE10 | -   | TIM1_CH2N | -        | -                | -            | -                  | -               | -                   | -                      | -                              | -                       | -    | FMC_D7               | -         | -       | EVEN TOUT |           |
|        | PE11 | -   | TIM1_CH2  | -        | -                | -            | SPI4_NSS           | -               | -                   | -                      | -                              | -                       | -    | FMC_D8               | -         | LCD_G3  | EVEN TOUT |           |
|        | PE12 | -   | TIM1_CH3N | -        | -                | -            | SPI4_SCK           | -               | -                   | -                      | -                              | -                       | -    | FMC_D9               | -         | LCD_B4  | EVEN TOUT |           |
|        | PE13 | -   | TIM1_CH3  | -        | -                | -            | SPI4_MISO          | -               | -                   | -                      | -                              | -                       | -    | FMC_D10              | -         | LCD_DE  | EVEN TOUT |           |
|        | PE14 | -   | TIM1_CH4  | -        | -                | -            | SPI4_MOSI          | -               | -                   | -                      | -                              | -                       | -    | FMC_D11              | -         | LCD_CLK | EVEN TOUT |           |
|        | PE15 | -   | TIM1_BKIN | -        | -                | -            | -                  | -               | -                   | -                      | -                              | -                       | -    | FMC_D12              | -         | LCD_R7  | EVEN TOUT |           |
| Port F | PF0  | -   | -         | -        | -                | I2C2_SDA     | -                  | -               | -                   | -                      | -                              | -                       | -    | FMC_A0               | -         | -       | EVEN TOUT |           |
|        | PF1  | -   | -         | -        | -                | I2C2_SCL     | -                  | -               | -                   | -                      | -                              | -                       | -    | FMC_A1               | -         | -       | EVEN TOUT |           |
|        | PF2  | -   | -         | -        | -                | I2C2_SMBA    | -                  | -               | -                   | -                      | -                              | -                       | -    | FMC_A2               | -         | -       | EVEN TOUT |           |
|        | PF3  | -   | -         | -        | -                | -            | -                  | -               | -                   | -                      | -                              | -                       | -    | FMC_A3               | -         | -       | EVEN TOUT |           |
|        | PF4  | -   | -         | -        | -                | -            | -                  | -               | -                   | -                      | -                              | -                       | -    | FMC_A4               | -         | -       | EVEN TOUT |           |
|        | PF5  | -   | -         | -        | -                | -            | -                  | -               | -                   | -                      | -                              | -                       | -    | FMC_A5               | -         | -       | EVEN TOUT |           |
|        | PF6  | -   | -         | -        | TIM10_CH1        | -            | SPI5_NSS           | SAI1_SD_B       | -                   | UART7_Rx               | -                              | -                       | -    | -                    | FMC_NIORD | -       | -         | EVEN TOUT |
|        | PF7  | -   | -         | -        | TIM11_CH1        | -            | SPI5_SCK           | SAI1_MCLK_B     | -                   | UART7_Tx               | -                              | -                       | -    | -                    | FMC_NREG  | -       | -         | EVEN TOUT |



**Table 12. STM32F427xx and STM32F429xx alternate function mapping (continued)**

| Port   |      | AF0 | AF1    | AF2      | AF3              | AF4          | AF5                | AF6             | AF7                 | AF8                    | AF9                            | AF10                    | AF11 | AF12                 | AF13          | AF14        | AF15         |
|--------|------|-----|--------|----------|------------------|--------------|--------------------|-----------------|---------------------|------------------------|--------------------------------|-------------------------|------|----------------------|---------------|-------------|--------------|
|        |      | SYS | TIM1/2 | TIM3/4/5 | TIM8/9/<br>10/11 | I2C1/<br>2/3 | SPI1/2/<br>3/4/5/6 | SPI2/3/S<br>AI1 | SPI3/US<br>ART1/2/3 | USART6/U<br>ART4/5/7/8 | CAN1/2/TIM<br>12/13/14/<br>LCD | OTG2_HS<br>/OTG1_<br>FS | ETH  | FMC/SDIO<br>/OTG2_FS | DCMI          | LCD         | SYS          |
| Port F | PF8  | -   | -      | -        | -                | -            | SPI5_<br>MISO      | SAI1_<br>SCK_B  | -                   | -                      | TIM13_CH1                      | -                       | -    | FMC_<br>NIOWR        | -             | -           | EVEN<br>TOUT |
|        | PF9  | -   | -      | -        | -                | -            | SPI5_<br>MOSI      | SAI1_<br>FS_B   | -                   | -                      | TIM14_CH1                      | -                       | -    | FMC_CD               | -             | -           | EVEN<br>TOUT |
|        | PF10 | -   | -      | -        | -                | -            | -                  | -               | -                   | -                      | -                              | -                       | -    | FMC_INTR             | DCMI_<br>D11  | LCD_DE      | EVEN<br>TOUT |
|        | PF11 | -   | -      | -        | -                | -            | SPI5_<br>MOSI      | -               | -                   | -                      | -                              | -                       | -    | FMC_<br>SDNRAS       | DCMI_<br>D12  | -           | EVEN<br>TOUT |
|        | PF12 | -   | -      | -        | -                | -            | -                  | -               | -                   | -                      | -                              | -                       | -    | FMC_A6               | -             | -           | EVEN<br>TOUT |
|        | PF13 | -   | -      | -        | -                | -            | -                  | -               | -                   | -                      | -                              | -                       | -    | FMC_A7               | -             | -           | EVEN<br>TOUT |
|        | PF14 | -   | -      | -        | -                | -            | -                  | -               | -                   | -                      | -                              | -                       | -    | FMC_A8               | -             | -           | EVEN<br>TOUT |
|        | PF15 | -   | -      | -        | -                | -            | -                  | -               | -                   | -                      | -                              | -                       | -    | FMC_A9               | -             | -           | EVEN<br>TOUT |
| Port G | PG0  | -   | -      | -        | -                | -            | -                  | -               | -                   | -                      | -                              | -                       | -    | FMC_A10              | -             | -           | EVEN<br>TOUT |
|        | PG1  | -   | -      | -        | -                | -            | -                  | -               | -                   | -                      | -                              | -                       | -    | FMC_A11              | -             | -           | EVEN<br>TOUT |
|        | PG2  | -   | -      | -        | -                | -            | -                  | -               | -                   | -                      | -                              | -                       | -    | FMC_A12              | -             | -           | EVEN<br>TOUT |
|        | PG3  | -   | -      | -        | -                | -            | -                  | -               | -                   | -                      | -                              | -                       | -    | FMC_A13              | -             | -           | EVEN<br>TOUT |
|        | PG4  | -   | -      | -        | -                | -            | -                  | -               | -                   | -                      | -                              | -                       | -    | FMC_A14/<br>FMC_BA0  | -             | -           | EVEN<br>TOUT |
|        | PG5  | -   | -      | -        | -                | -            | -                  | -               | -                   | -                      | -                              | -                       | -    | FMC_A15/<br>FMC_BA1  | -             | -           | EVEN<br>TOUT |
|        | PG6  | -   | -      | -        | -                | -            | -                  | -               | -                   | -                      | -                              | -                       | -    | FMC_INT2             | DCMI_<br>D12  | LCD_R7      | EVEN<br>TOUT |
|        | PG7  | -   | -      | -        | -                | -            | -                  | -               | -                   | USART6_<br>CK          | -                              | -                       | -    | FMC_INT3             | DCMI_<br>D13  | LCD_<br>CLK | EVEN<br>TOUT |
|        | PG8  | -   | -      | -        | -                | -            | SPI6_<br>NSS       | -               | -                   | USART6_<br>RTS         | -                              | -                       | -    | ETH_PPS_<br>OUT      | FMC_SDC<br>LK | -           | -            |



Table 12. STM32F427xx and STM32F429xx alternate function mapping (continued)

| Port      |      | AF0 | AF1    | AF2      | AF3              | AF4           | AF5                | AF6             | AF7                 | AF8                    | AF9                            | AF10                    | AF11                                     | AF12                                   | AF13                  | AF14         | AF15         |              |
|-----------|------|-----|--------|----------|------------------|---------------|--------------------|-----------------|---------------------|------------------------|--------------------------------|-------------------------|--|--|-----------------------|--------------|--------------|--------------|
|           |      | SYS | TIM1/2 | TIM3/4/5 | TIM8/9/<br>10/11 | I2C1/<br>2/3  | SPI1/2/<br>3/4/5/6 | SPI2/3/S<br>AI1 | SPI3/US<br>ART1/2/3 | USART6/U<br>ART4/5/7/8 | CAN1/2/TIM<br>12/13/14/<br>LCD | OTG2_HS<br>/OTG1_<br>FS | ETH                                      | FMC/SDIO<br>/OTG2_FS                   | DCMI                  | LCD          | SYS          |              |
| Port<br>G | PG9  | -   | -      | -        | -                | -             | -                  | -               | -                   | USART6_<br>RX          | -                              | -                       | -  | FMC_NE2/<br>FMC_<br>NCE3               | DCMI_<br>VSYNC<br>(1) | -            | EVEN<br>TOUT |              |
|           | PG10 | -   | -      | -        | -                | -             | -                  | -               | -                   | -                      | LCD_G3                         | -                       | -  | FMC_<br>NCE4_1/<br>FMC_NE3             | DCMI_<br>D2           | LCD_B2       | EVEN<br>TOUT |              |
|           | PG11 | -   | -      | -        | -                | -             | -                  | -               | -                   | -                      | -                              | -                       | ETH_MII_<br>TX_EN/<br>ETH_RMII_<br>TX_EN | FMC_<br>NCE4_2                         | DCMI_<br>D3           | LCD_B3       | EVEN<br>TOUT |              |
|           | PG12 | -   | -      | -        | -                | -             | SPI6_<br>MISO      | -               | -                   | USART6_<br>RTS         | LCD_B4                         | -                       | -  | FMC_NE4                                | -                     | LCD_B1       | EVEN<br>TOUT |              |
|           | PG13 | -   | -      | -        | -                | -             | SPI6_<br>SCK       | -               | -                   | USART6_<br>CTS         | -                              | -                       | -  | ETH_MII_<br>TXD0/<br>ETH_RMII_<br>TXD0 | FMC_A24               | -            | -            | EVEN<br>TOUT |
|           | PG14 | -   | -      | -        | -                | -             | SPI6_<br>MOSI      | -               | -                   | USART6_<br>TX          | -                              | -                       | -  | ETH_MII_<br>TXD1/<br>ETH_RMII_<br>TXD1 | FMC_A25               | -            | -            | EVEN<br>TOUT |
|           | PG15 | -   | -      | -        | -                | -             | -                  | -               | -                   | USART6_<br>CTS         | -                              | -                       | -  | -                                      | FMC_<br>SDNCAS        | DCMI_<br>D13 | -            | EVEN<br>TOUT |
| Port<br>H | PH0  | -   | -      | -        | -                | -             | -                  | -               | -                   | -                      | -                              | -                       | -  | -                                      | -                     | -            | EVEN<br>TOUT |              |
|           | PH1  | -   | -      | -        | -                | -             | -                  | -               | -                   | -                      | -                              | -                       | -  | -                                      | -                     | -            | EVEN<br>TOUT |              |
|           | PH2  | -   | -      | -        | -                | -             | -                  | -               | -                   | -                      | -                              | -                       | ETH_MII_<br>CRS                          | FMC_<br>SDCKE0                         | -                     | LCD_R0       | EVEN<br>TOUT |              |
|           | PH3  | -   | -      | -        | -                | -             | -                  | -               | -                   | -                      | -                              | -                       | ETH_MII_<br>COL                          | FMC_SDN<br>E0                          | -                     | LCD_R1       | EVEN<br>TOUT |              |
|           | PH4  | -   | -      | -        | -                | I2C2_<br>SCL  | -                  | -               | -                   | -                      | -                              | OTG_HS_<br>ULPI_NXT     | -  | -                                      | -                     | -            | EVEN<br>TOUT |              |
|           | PH5  | -   | -      | -        | -                | I2C2_<br>SDA  | SPI5_N<br>SS       | -               | -                   | -                      | -                              | -                       | -  | FMC_SDN<br>WE                          | -                     | -            | EVEN<br>TOUT |              |
|           | PH6  | -   | -      | -        | -                | I2C2_<br>SMBA | SPI5_<br>SCK       | -               | -                   | -                      | -                              | TIM12_CH1               | -  | -                                      | FMC_<br>SDNE1         | DCMI_<br>D8  | -            | -            |



**Table 12. STM32F427xx and STM32F429xx alternate function mapping (continued)**

| Port   |      | AF0 | AF1    | AF2          | AF3              | AF4           | AF5                       | AF6             | AF7                 | AF8                    | AF9                            | AF10                    | AF11             | AF12                 | AF13           | AF14   | AF15         |
|--------|------|-----|--------|--------------|------------------|---------------|---------------------------|-----------------|---------------------|------------------------|--------------------------------|-------------------------|------------------|----------------------|----------------|--------|--------------|
|        |      | SYS | TIM1/2 | TIM3/4/5     | TIM8/9/<br>10/11 | I2C1/<br>2/3  | SPI1/2/<br>3/4/5/6        | SPI2/3/S<br>AI1 | SPI3/US<br>ART1/2/3 | USART6/U<br>ART4/5/7/8 | CAN1/2/TIM<br>12/13/14/<br>LCD | OTG2_HS<br>/OTG1_<br>FS | ETH              | FMC/SDIO<br>/OTG2_FS | DCMI           | LCD    | SYS          |
| Port H | PH7  | -   | -      | -            | -                | I2C3_<br>SCL  | SPI5_<br>MISO             | -               | -                   | -                      | -                              | -                       | ETH_MII_<br>RXD3 | FMC_<br>SDCKE1       | DCMI_<br>D9    | -      | -            |
|        | PH8  | -   | -      | -            | -                | I2C3_<br>SDA  | -                         | -               | -                   | -                      | -                              | -                       | -                | FMC_D16              | DCMI_<br>HSYNC | LCD_R2 | EVEN<br>TOUT |
|        | PH9  | -   | -      | -            | -                | I2C3_<br>SMBA | -                         | -               | -                   | -                      | TIM12_CH2                      | -                       | -                | FMC_D17              | DCMI_<br>D0    | LCD_R3 | EVEN<br>TOUT |
|        | PH10 | -   | -      | TIM5_<br>CH1 | -                | -             | -                         | -               | -                   | -                      | -                              | -                       | -                | FMC_D18              | DCMI_<br>D1    | LCD_R4 | EVEN<br>TOUT |
|        | PH11 | -   | -      | TIM5_<br>CH2 | -                | -             | -                         | -               | -                   | -                      | -                              | -                       | -                | FMC_D19              | DCMI_<br>D2    | LCD_R5 | EVEN<br>TOUT |
|        | PH12 | -   | -      | TIM5_<br>CH3 | -                | -             | -                         | -               | -                   | -                      | -                              | -                       | -                | FMC_D20              | DCMI_<br>D3    | LCD_R6 | EVEN<br>TOUT |
|        | PH13 | -   | -      | -            | TIM8_<br>CH1N    | -             | -                         | -               | -                   | -                      | -                              | CAN1_TX                 | -                | FMC_D21              | -              | LCD_G2 | EVEN<br>TOUT |
|        | PH14 | -   | -      | -            | TIM8_<br>CH2N    | -             | -                         | -               | -                   | -                      | -                              | -                       | -                | FMC_D22              | DCMI_<br>D4    | LCD_G3 | EVEN<br>TOUT |
|        | PH15 | -   | -      | -            | TIM8_<br>CH3N    | -             | -                         | -               | -                   | -                      | -                              | -                       | -                | FMC_D23              | DCMI_<br>D11   | LCD_G4 | EVEN<br>TOUT |
| Port I | PI0  | -   | -      | TIM5_<br>CH4 | -                | -             | SPI2_<br>NSS/I2<br>S2_WS  | -               | -                   | -                      | -                              | -                       | -                | FMC_D24              | DCMI_<br>D13   | LCD_G5 | EVEN<br>TOUT |
|        | PI1  | -   | -      | -            | -                | -             | SPI2_<br>SCK/I2<br>S2_CK  | -               | -                   | -                      | -                              | -                       | -                | FMC_D25              | DCMI_<br>D8    | LCD_G6 | EVEN<br>TOUT |
|        | PI2  | -   | -      | -            | TIM8_<br>CH4     | -             | SPI2_<br>MISO             | I2S2ext_<br>SD  | -                   | -                      | -                              | -                       | -                | FMC_D26              | DCMI_<br>D9    | LCD_G7 | EVEN<br>TOUT |
|        | PI3  | -   | -      | -            | TIM8_<br>ETR     | -             | SPI2_M<br>OSI/I2S<br>2_SD | -               | -                   | -                      | -                              | -                       | -                | FMC_D27              | DCMI_D<br>10   | -      | EVEN<br>TOUT |
|        | PI4  | -   | -      | -            | TIM8_<br>BKIN    | -             | -                         | -               | -                   | -                      | -                              | -                       | -                | FMC_<br>NBL2         | DCMI_D<br>5    | LCD_B4 | EVEN<br>TOUT |
|        | PI5  | -   | -      | -            | TIM8_<br>CH1     | -             | -                         | -               | -                   | -                      | -                              | -                       | -                | FMC_<br>NBL3         | DCMI_<br>VSYNC | LCD_B5 | EVEN<br>TOUT |
|        | PI6  | -   | -      | -            | TIM8_<br>CH2     | -             | -                         | -               | -                   | -                      | -                              | -                       | -                | FMC_D28              | DCMI_<br>D6    | LCD_B6 | EVEN<br>TOUT |



Table 12. STM32F427xx and STM32F429xx alternate function mapping (continued)

| Port   |      | AF0 | AF1    | AF2      | AF3              | AF4          | AF5                | AF6             | AF7                 | AF8                    | AF9                            | AF10                    | AF11    | AF12                 | AF13          | AF14          | AF15         |
|--------|------|-----|--------|----------|------------------|--------------|--------------------|-----------------|---------------------|------------------------|--------------------------------|-------------------------|---------|----------------------|---------------|---------------|--------------|
|        |      | SYS | TIM1/2 | TIM3/4/5 | TIM8/9/<br>10/11 | I2C1/<br>2/3 | SPI1/2/<br>3/4/5/6 | SPI2/3/S<br>AI1 | SPI3/US<br>ART1/2/3 | USART6/U<br>ART4/5/7/8 | CAN1/2/TIM<br>12/13/14/<br>LCD | OTG2_HS<br>/OTG1_<br>FS | ETH     | FMC/SDIO<br>/OTG2_FS | DCMI          | LCD           | SYS          |
| Port I | PI7  | -   | -      | -        | TIM8_<br>CH3     | -            | -                  | -               | -                   | -                      | -                              | -                       | -       | FMC_D29              | DCMI_<br>D7   | LCD_B7        | EVEN<br>TOUT |
|        | PI8  | -   | -      | -        | -                | -            | -                  | -               | -                   | -                      | -                              | -                       | -       | -                    | -             | -             | EVEN<br>TOUT |
|        | PI9  | -   | -      | -        | -                | -            | -                  | -               | -                   | -                      | CAN1_RX                        | -                       | -       | FMC_D30              | -             | LCD_<br>VSYNC | EVEN<br>TOUT |
|        | PI10 | -   | -      | -        | -                | -            | -                  | -               | -                   | -                      | -                              | ETH_MII_<br>RX_ER       | FMC_D31 | -                    | LCD_<br>HSYNC | EVEN<br>TOUT  |              |
|        | PI11 | -   | -      | -        | -                | -            | -                  | -               | -                   | -                      | OTG_HS_<br>ULPI_DIR            | -                       | -       | -                    | -             | -             | EVEN<br>TOUT |
|        | PI12 | -   | -      | -        | -                | -            | -                  | -               | -                   | -                      | -                              | -                       | -       | -                    | -             | LCD_<br>HSYNC | EVEN<br>TOUT |
|        | PI13 | -   | -      | -        | -                | -            | -                  | -               | -                   | -                      | -                              | -                       | -       | -                    | -             | LCD_<br>VSYNC | EVEN<br>TOUT |
|        | PI14 | -   | -      | -        | -                | -            | -                  | -               | -                   | -                      | -                              | -                       | -       | -                    | -             | LCD_<br>CLK   | EVEN<br>TOUT |
|        | PI15 | -   | -      | -        | -                | -            | -                  | -               | -                   | -                      | -                              | -                       | -       | -                    | -             | LCD_R0        | EVEN<br>TOUT |
| Port J | PJ0  | -   | -      | -        | -                | -            | -                  | -               | -                   | -                      | -                              | -                       | -       | -                    | -             | LCD_R1        | EVEN<br>TOUT |
|        | PJ1  | -   | -      | -        | -                | -            | -                  | -               | -                   | -                      | -                              | -                       | -       | -                    | -             | LCD_R2        | EVEN<br>TOUT |
|        | PJ2  | -   | -      | -        | -                | -            | -                  | -               | -                   | -                      | -                              | -                       | -       | -                    | -             | LCD_R3        | EVEN<br>TOUT |
|        | PJ3  | -   | -      | -        | -                | -            | -                  | -               | -                   | -                      | -                              | -                       | -       | -                    | -             | LCD_R4        | EVEN<br>TOUT |
|        | PJ4  | -   | -      | -        | -                | -            | -                  | -               | -                   | -                      | -                              | -                       | -       | -                    | -             | LCD_R5        | EVEN<br>TOUT |
|        | PJ5  | -   | -      | -        | -                | -            | -                  | -               | -                   | -                      | -                              | -                       | -       | -                    | -             | LCD_R6        | EVEN<br>TOUT |
|        | PJ6  | -   | -      | -        | -                | -            | -                  | -               | -                   | -                      | -                              | -                       | -       | -                    | -             | LCD_R7        | EVEN<br>TOUT |
|        | PJ7  | -   | -      | -        | -                | -            | -                  | -               | -                   | -                      | -                              | -                       | -       | -                    | -             | LCD_G0        | EVEN<br>TOUT |



Table 12. STM32F427xx and STM32F429xx alternate function mapping (continued)

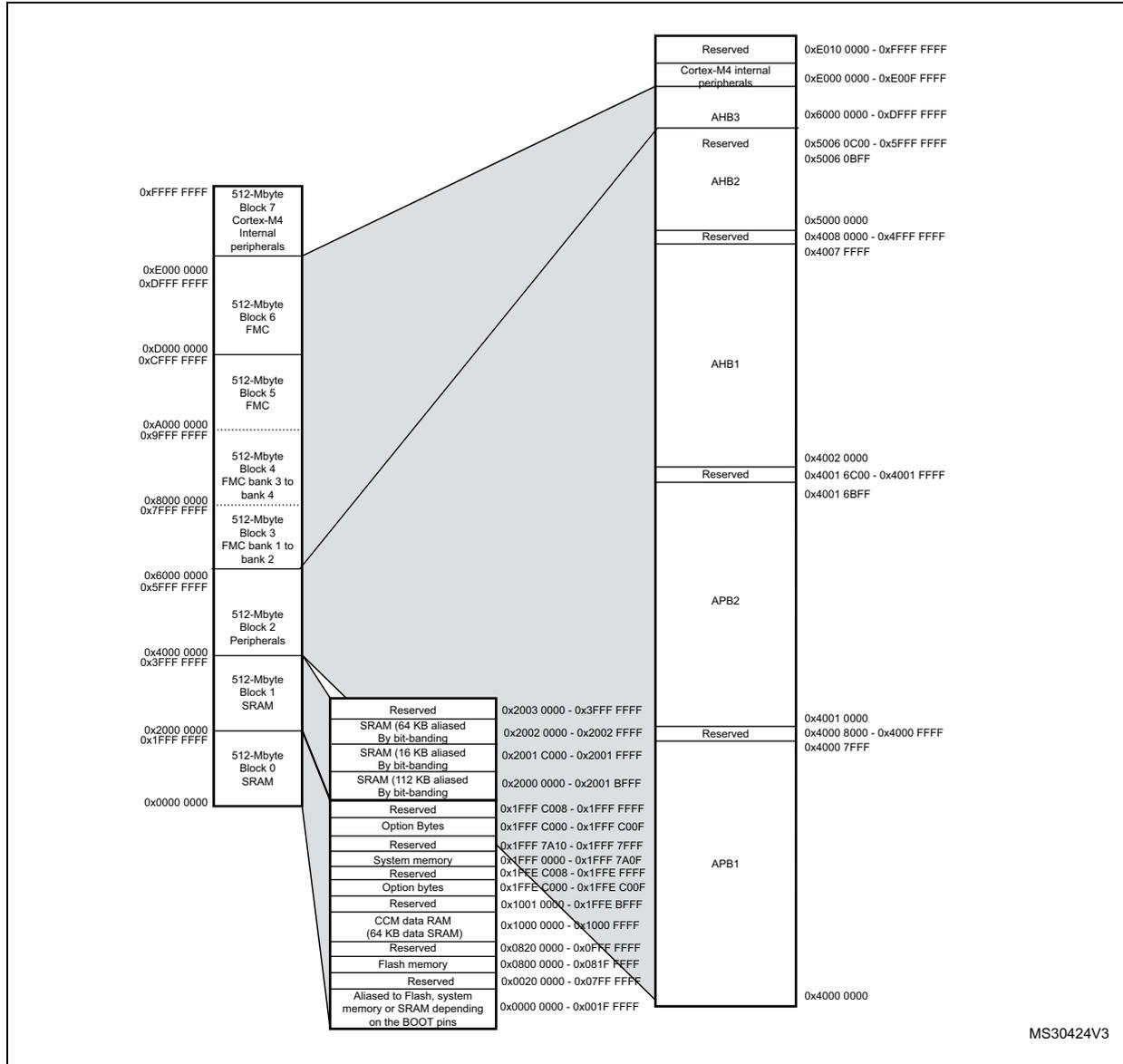
| Port   |      | AF0 | AF1    | AF2      | AF3              | AF4          | AF5                | AF6             | AF7                 | AF8                    | AF9                            | AF10                    | AF11 | AF12                 | AF13 | AF14   | AF15         |
|--------|------|-----|--------|----------|------------------|--------------|--------------------|-----------------|---------------------|------------------------|--------------------------------|-------------------------|------|----------------------|------|--------|--------------|
|        |      | SYS | TIM1/2 | TIM3/4/5 | TIM8/9/<br>10/11 | I2C1/<br>2/3 | SPI1/2/<br>3/4/5/6 | SPI2/3/S<br>AI1 | SPI3/US<br>ART1/2/3 | USART6/U<br>ART4/5/7/8 | CAN1/2/TIM<br>12/13/14/<br>LCD | OTG2_HS<br>/OTG1_<br>FS | ETH  | FMC/SDIO<br>/OTG2_FS | DCMI | LCD    | SYS          |
| Port J | PJ8  | -   | -      | -        | -                | -            | -                  | -               | -                   | -                      | -                              | -                       | -    | -                    | -    | LCD_G1 | EVEN<br>TOUT |
|        | PJ9  | -   | -      | -        | -                | -            | -                  | -               | -                   | -                      | -                              | -                       | -    | -                    | -    | LCD_G2 | EVEN<br>TOUT |
|        | PJ10 | -   | -      | -        | -                | -            | -                  | -               | -                   | -                      | -                              | -                       | -    | -                    | -    | LCD_G3 | EVEN<br>TOUT |
|        | PJ11 | -   | -      | -        | -                | -            | -                  | -               | -                   | -                      | -                              | -                       | -    | -                    | -    | LCD_G4 | EVEN<br>TOUT |
|        | PJ12 | -   | -      | -        | -                | -            | -                  | -               | -                   | -                      | -                              | -                       | -    | -                    | -    | LCD_B0 | EVEN<br>TOUT |
|        | PJ13 | -   | -      | -        | -                | -            | -                  | -               | -                   | -                      | -                              | -                       | -    | -                    | -    | LCD_B1 | EVEN<br>TOUT |
|        | PJ14 | -   | -      | -        | -                | -            | -                  | -               | -                   | -                      | -                              | -                       | -    | -                    | -    | LCD_B2 | EVEN<br>TOUT |
|        | PJ15 | -   | -      | -        | -                | -            | -                  | -               | -                   | -                      | -                              | -                       | -    | -                    | -    | LCD_B3 | EVEN<br>TOUT |
| Port K | PK0  | -   | -      | -        | -                | -            | -                  | -               | -                   | -                      | -                              | -                       | -    | -                    | -    | LCD_G5 | EVEN<br>TOUT |
|        | PK1  | -   | -      | -        | -                | -            | -                  | -               | -                   | -                      | -                              | -                       | -    | -                    | -    | LCD_G6 | EVEN<br>TOUT |
|        | PK2  | -   | -      | -        | -                | -            | -                  | -               | -                   | -                      | -                              | -                       | -    | -                    | -    | LCD_G7 | EVEN<br>TOUT |
|        | PK3  | -   | -      | -        | -                | -            | -                  | -               | -                   | -                      | -                              | -                       | -    | -                    | -    | LCD_B4 | EVEN<br>TOUT |
|        | PK4  | -   | -      | -        | -                | -            | -                  | -               | -                   | -                      | -                              | -                       | -    | -                    | -    | LCD_B5 | EVEN<br>TOUT |
|        | PK5  | -   | -      | -        | -                | -            | -                  | -               | -                   | -                      | -                              | -                       | -    | -                    | -    | LCD_B6 | EVEN<br>TOUT |
|        | PK6  | -   | -      | -        | -                | -            | -                  | -               | -                   | -                      | -                              | -                       | -    | -                    | -    | LCD_B7 | EVEN<br>TOUT |
|        | PK7  | -   | -      | -        | -                | -            | -                  | -               | -                   | -                      | -                              | -                       | -    | -                    | -    | LCD_DE | EVEN<br>TOUT |

1. The DCMI\_VSYNC alternate function on PG9 is only available on silicon revision 3.

# 5 Memory mapping

The memory map is shown in *Figure 19*.

Figure 19. Memory map



**Table 13. STM32F427xx and STM32F429xx register boundary addresses**

| Bus       | Boundary address          | Peripheral                     |
|-----------|---------------------------|--------------------------------|
|           | 0xE00F FFFF - 0xFFFF FFFF | Reserved                       |
| Cortex-M4 | 0xE000 0000 - 0xE00F FFFF | Cortex-M4 internal peripherals |
| AHB3      | 0xD000 0000 - 0xDFFF FFFF | FMC bank 6                     |
|           | 0xC000 0000 - 0xCFFF FFFF | FMC bank 5                     |
|           | 0xA000 1000 - 0xBFFF FFFF | Reserved                       |
|           | 0xA000 0000 - 0xA000 0FFF | FMC control register           |
|           | 0x9000 0000 - 0x9FFF FFFF | FMC bank 4                     |
|           | 0x8000 0000 - 0x8FFF FFFF | FMC bank 3                     |
|           | 0x7000 0000 - 0x7FFF FFFF | FMC bank 2                     |
|           | 0x6000 0000 - 0x6FFF FFFF | FMC bank 1                     |
|           | 0x5006 0C00 - 0x5FFF FFFF | Reserved                       |
| AHB2      | 0x5006 0800 - 0x5006 0BFF | RNG                            |
|           | 0x5005 0400 - 0x5005 07FF | Reserved                       |
|           | 0x5005 0000 - 0x5005 03FF | DCMI                           |
|           | 0x5004 0000 - 0x5004 FFFF | Reserved                       |
|           | 0x5000 0000 - 0x5003 FFFF | USB OTG FS                     |

**Table 13. STM32F427xx and STM32F429xx register boundary addresses (continued)**

| Bus  | Boundary address          | Peripheral               |
|------|---------------------------|--------------------------|
|      | 0x4008 0000- 0x4FFF FFFF  | Reserved                 |
| AHB1 | 0x4004 0000 - 0x4007 FFFF | USB OTG HS               |
|      | 0x4002 BC00- 0x4003 FFFF  | Reserved                 |
|      | 0x4002 B000 - 0x4002 BBFF | DMA2D                    |
|      | 0x4002 9400 - 0x4002 AFFF | Reserved                 |
|      | 0x4002 9000 - 0x4002 93FF | ETHERNET MAC             |
|      | 0x4002 8C00 - 0x4002 8FFF |                          |
|      | 0x4002 8800 - 0x4002 8BFF |                          |
|      | 0x4002 8400 - 0x4002 87FF |                          |
|      | 0x4002 8000 - 0x4002 83FF |                          |
|      | 0x4002 6800 - 0x4002 7FFF | Reserved                 |
|      | 0x4002 6400 - 0x4002 67FF | DMA2                     |
|      | 0x4002 6000 - 0x4002 63FF | DMA1                     |
|      | 0x4002 5000 - 0x4002 5FFF | Reserved                 |
|      | 0x4002 4000 - 0x4002 4FFF | BKPSRAM                  |
|      | 0x4002 3C00 - 0x4002 3FFF | Flash interface register |
|      | 0x4002 3800 - 0x4002 3BFF | RCC                      |
|      | 0x4002 3400 - 0x4002 37FF | Reserved                 |
|      | 0x4002 3000 - 0x4002 33FF | CRC                      |
|      | 0x4002 2C00 - 0x4002 2FFF | Reserved                 |
|      | 0x4002 2800 - 0x4002 2BFF | GPIOK                    |
|      | 0x4002 2400 - 0x4002 27FF | GPIOJ                    |
|      | 0x4002 2000 - 0x4002 23FF | GPIOI                    |
|      | 0x4002 1C00 - 0x4002 1FFF | GPIOH                    |
|      | 0x4002 1800 - 0x4002 1BFF | GPIOG                    |
|      | 0x4002 1400 - 0x4002 17FF | GPIOF                    |
|      | 0x4002 1000 - 0x4002 13FF | GPIOE                    |
|      | 0x4002 0C00 - 0x4002 0FFF | GPIOD                    |
|      | 0x4002 0800 - 0x4002 0BFF | GPIOC                    |
|      | 0x4002 0400 - 0x4002 07FF | GPIOB                    |
|      | 0x4002 0000 - 0x4002 03FF | GPIOA                    |

**Table 13. STM32F427xx and STM32F429xx register boundary addresses (continued)**

| Bus                       | Boundary address          | Peripheral         |
|---------------------------|---------------------------|--------------------|
|                           | 0x4001 6C00 - 0x4001 FFFF | Reserved           |
| APB2                      | 0x4001 6800 - 0x4001 6BFF | LCD-TFT            |
|                           | 0x4001 5C00 - 0x4001 67FF | Reserved           |
|                           | 0x4001 5800 - 0x4001 5BFF | SAI1               |
|                           | 0x4001 5400 - 0x4001 57FF | SPI6               |
|                           | 0x4001 5000 - 0x4001 53FF | SPI5               |
|                           | 0x4001 5400 - 0x4001 57FF | SPI6               |
|                           | 0x4001 5000 - 0x4001 53FF | SPI5               |
|                           | 0x4001 4C00 - 0x4001 4FFF | Reserved           |
|                           | 0x4001 4800 - 0x4001 4BFF | TIM11              |
|                           | 0x4001 4400 - 0x4001 47FF | TIM10              |
|                           | 0x4001 4000 - 0x4001 43FF | TIM9               |
|                           | 0x4001 3C00 - 0x4001 3FFF | EXTI               |
|                           | 0x4001 3800 - 0x4001 3BFF | SYSCFG             |
|                           | 0x4001 3400 - 0x4001 37FF | SPI4               |
|                           | 0x4001 3000 - 0x4001 33FF | SPI1               |
|                           | 0x4001 2C00 - 0x4001 2FFF | SDIO               |
|                           | 0x4001 2400 - 0x4001 2BFF | Reserved           |
|                           | 0x4001 2000 - 0x4001 23FF | ADC1 - ADC2 - ADC3 |
|                           | 0x4001 1800 - 0x4001 1FFF | Reserved           |
|                           | 0x4001 1400 - 0x4001 17FF | USART6             |
|                           | 0x4001 1000 - 0x4001 13FF | USART1             |
|                           | 0x4001 0800 - 0x4001 0FFF | Reserved           |
|                           | 0x4001 0400 - 0x4001 07FF | TIM8               |
| 0x4001 0000 - 0x4001 03FF | TIM1                      |                    |

**Table 13. STM32F427xx and STM32F429xx register boundary addresses (continued)**

| Bus                       | Boundary address          | Peripheral          |
|---------------------------|---------------------------|---------------------|
|                           | 0x4000 8000- 0x4000 FFFF  | Reserved            |
| APB1                      | 0x4000 7C00 - 0x4000 7FFF | UART8               |
|                           | 0x4000 7800 - 0x4000 7BFF | UART7               |
|                           | 0x4000 7400 - 0x4000 77FF | DAC                 |
|                           | 0x4000 7000 - 0x4000 73FF | PWR                 |
|                           | 0x4000 6C00 - 0x4000 6FFF | Reserved            |
|                           | 0x4000 6800 - 0x4000 6BFF | CAN2                |
|                           | 0x4000 6400 - 0x4000 67FF | CAN1                |
|                           | 0x4000 6000 - 0x4000 63FF | Reserved            |
|                           | 0x4000 5C00 - 0x4000 5FFF | I2C3                |
|                           | 0x4000 5800 - 0x4000 5BFF | I2C2                |
|                           | 0x4000 5400 - 0x4000 57FF | I2C1                |
|                           | 0x4000 5000 - 0x4000 53FF | UART5               |
|                           | 0x4000 4C00 - 0x4000 4FFF | UART4               |
|                           | 0x4000 4800 - 0x4000 4BFF | USART3              |
|                           | 0x4000 4400 - 0x4000 47FF | USART2              |
|                           | 0x4000 4000 - 0x4000 43FF | I2S3ext             |
|                           | 0x4000 3C00 - 0x4000 3FFF | SPI3 / I2S3         |
|                           | 0x4000 3800 - 0x4000 3BFF | SPI2 / I2S2         |
|                           | 0x4000 3400 - 0x4000 37FF | I2S2ext             |
|                           | 0x4000 3000 - 0x4000 33FF | IWDG                |
|                           | 0x4000 2C00 - 0x4000 2FFF | WWDG                |
|                           | 0x4000 2800 - 0x4000 2BFF | RTC & BKP Registers |
|                           | 0x4000 2400 - 0x4000 27FF | Reserved            |
|                           | 0x4000 2000 - 0x4000 23FF | TIM14               |
|                           | 0x4000 1C00 - 0x4000 1FFF | TIM13               |
|                           | 0x4000 1800 - 0x4000 1BFF | TIM12               |
|                           | 0x4000 1400 - 0x4000 17FF | TIM7                |
|                           | 0x4000 1000 - 0x4000 13FF | TIM6                |
|                           | 0x4000 0C00 - 0x4000 0FFF | TIM5                |
|                           | 0x4000 0800 - 0x4000 0BFF | TIM4                |
| 0x4000 0400 - 0x4000 07FF | TIM3                      |                     |
| 0x4000 0000 - 0x4000 03FF | TIM2                      |                     |

## 6 Electrical characteristics

### 6.1 Parameter conditions

Unless otherwise specified, all voltages are referenced to  $V_{SS}$ .

#### 6.1.1 Minimum and maximum values

Unless otherwise specified the minimum and maximum values are guaranteed in the worst conditions of ambient temperature, supply voltage and frequencies by tests in production on 100% of the devices with an ambient temperature at  $T_A = 25\text{ °C}$  and  $T_A = T_{Amax}$  (given by the selected temperature range).

Data based on characterization results, design simulation and/or technology characteristics are indicated in the table footnotes and are not tested in production. Based on characterization, the minimum and maximum values refer to sample tests and represent the mean value plus or minus three times the standard deviation ( $\text{mean} \pm 3\sigma$ ).

#### 6.1.2 Typical values

Unless otherwise specified, typical data are based on  $T_A = 25\text{ °C}$ ,  $V_{DD} = 3.3\text{ V}$  (for the  $1.7\text{ V} \leq V_{DD} \leq 3.6\text{ V}$  voltage range). They are given only as design guidelines and are not tested.

Typical ADC accuracy values are determined by characterization of a batch of samples from a standard diffusion lot over the full temperature range, where 95% of the devices have an error less than or equal to the value indicated ( $\text{mean} \pm 2\sigma$ ).

#### 6.1.3 Typical curves

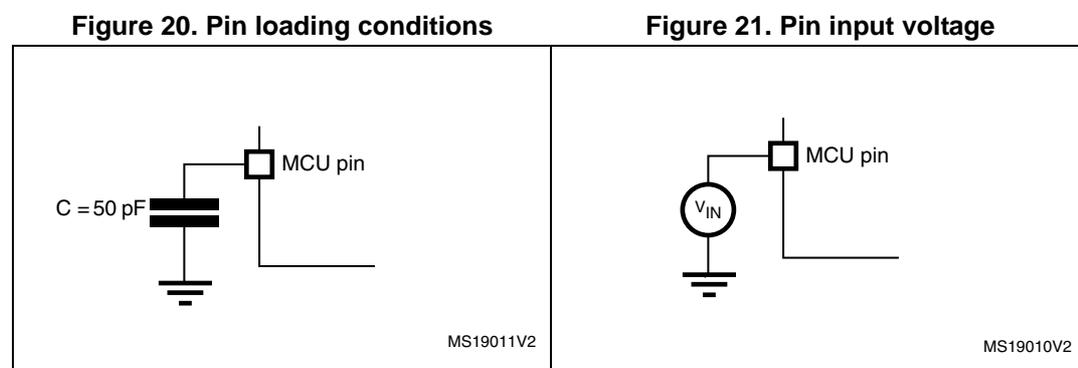
Unless otherwise specified, all typical curves are given only as design guidelines and are not tested.

#### 6.1.4 Loading capacitor

The loading conditions used for pin parameter measurement are shown in [Figure 20](#).

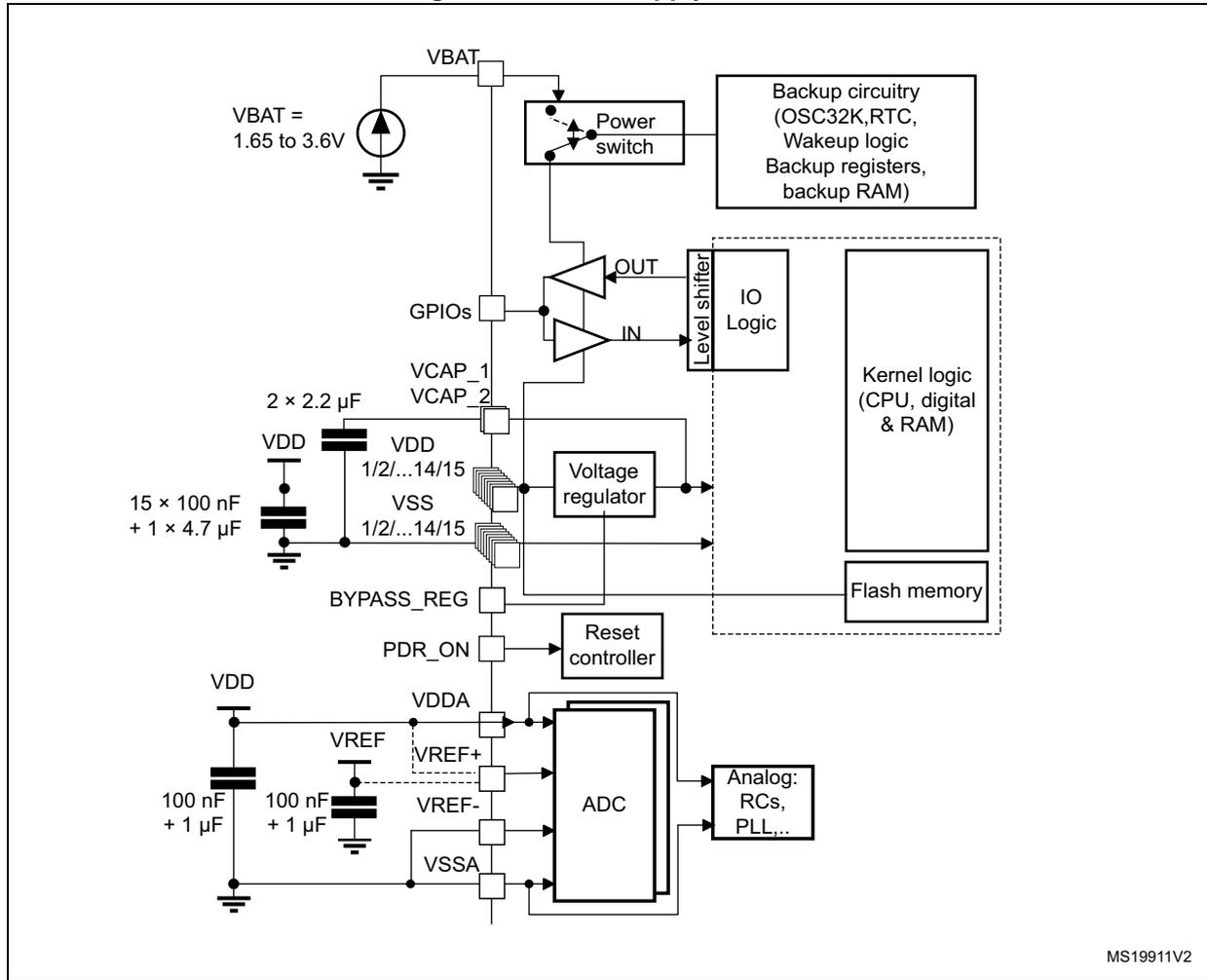
#### 6.1.5 Pin input voltage

The input voltage measurement on a pin of the device is described in [Figure 21](#).



6.1.6 Power supply scheme

Figure 22. Power supply scheme



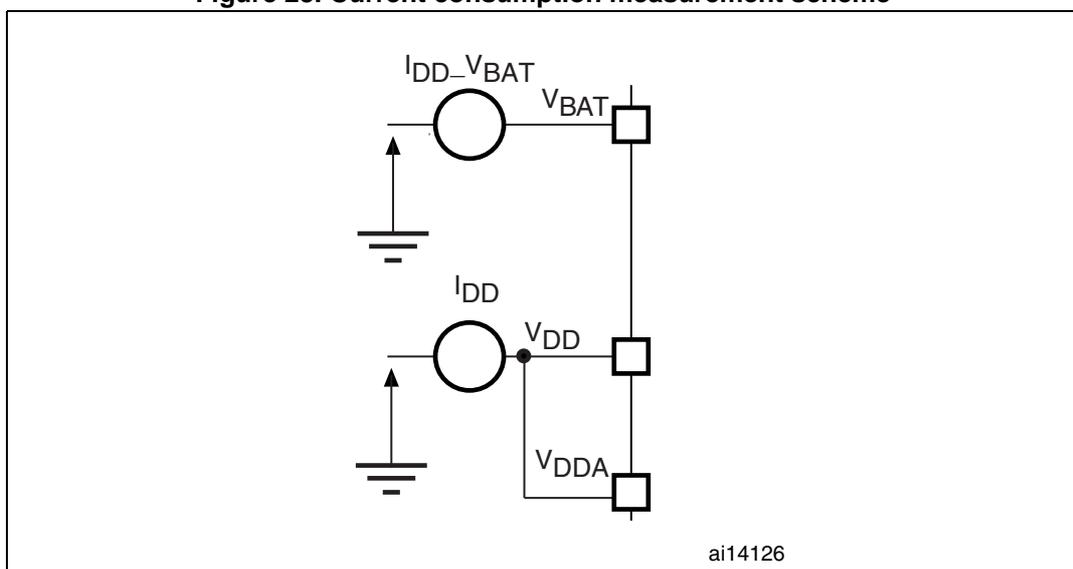
MS19911V2

1. To connect BYPASS\_REG and PDR\_ON pins, refer to [Section 3.17: Power supply supervisor](#) and [Section 3.18: Voltage regulator](#)
2. The two 2.2 µF ceramic capacitors should be replaced by two 100 nF decoupling capacitors when the voltage regulator is OFF.
3. The 4.7 µF ceramic capacitor must be connected to one of the V<sub>DD</sub> pins.
4. V<sub>DDA</sub>=V<sub>DD</sub> and V<sub>SSA</sub>=V<sub>SS</sub>.

**Caution:** Each power supply pair (V<sub>DD</sub>/V<sub>SS</sub>, V<sub>DDA</sub>/V<sub>SSA</sub> ...) must be decoupled with filtering ceramic capacitors as shown above. These capacitors must be placed as close as possible to, or below, the appropriate pins on the underside of the PCB to ensure good operation of the device. It is not recommended to remove filtering capacitors to reduce PCB size or cost. This might cause incorrect operation of the device.

### 6.1.7 Current consumption measurement

Figure 23. Current consumption measurement scheme



## 6.2 Absolute maximum ratings

Stresses above the absolute maximum ratings listed in [Table 14: Voltage characteristics](#), [Table 15: Current characteristics](#), and [Table 16: Thermal characteristics](#) may cause permanent damage to the device. These are stress ratings only and functional operation of the device at these conditions is not implied. Exposure to maximum rating conditions for extended periods may affect device reliability.

Table 14. Voltage characteristics

| Symbol             | Ratings   | Min   | Max          | Unit |
|--------------------|---|---|--------------|------|
| $V_{DD-V_{SS}}$    | External main supply voltage (including $V_{DDA}$ , $V_{DD}$ and $V_{BAT}$ ) <sup>(1)</sup> | -0.3  | 4.0          | V    |
| $V_{IN}$           | Input voltage on FT pins <sup>(2)</sup>   | $V_{SS}-0.3$  | $V_{DD}+4.0$ |      |
|                    | Input voltage on TTa pins   | $V_{SS}-0.3$  | 4.0          |      |
|                    | Input voltage on any other pin  | $V_{SS}-0.3$  | 4.0          |      |
|                    | Input voltage on BOOT0 pin  | $V_{SS}$  | 9.0          |      |
| $ \Delta V_{DDx} $ | Variations between different $V_{DD}$ power pins  | -   | 50           | mV   |
| $ V_{SSx}-V_{SS} $ | Variations between all the different ground pins  | -   | 50           |      |
| $V_{ESD(HBM)}$     | Electrostatic discharge voltage (human body model)  | see <a href="#">Section 6.3.15: Absolute maximum ratings (electrical sensitivity)</a> |              |      |

1. All main power ( $V_{DD}$ ,  $V_{DDA}$ ) and ground ( $V_{SS}$ ,  $V_{SSA}$ ) pins must always be connected to the external power supply, in the permitted range.
2.  $V_{IN}$  maximum value must always be respected. Refer to [Table 15](#) for the values of the maximum allowed injected current.

**Table 15. Current characteristics**

| Symbol                      | Ratings   | Max.  | Unit |
|-----------------------------|---|-------|------|
| $\Sigma I_{VDD}$            | Total current into sum of all $V_{DD\_x}$ power lines (source) <sup>(1)</sup>   | 270   | mA   |
| $\Sigma I_{VSS}$            | Total current out of sum of all $V_{SS\_x}$ ground lines (sink) <sup>(1)</sup>  | -270  |      |
| $I_{VDD}$                   | Maximum current into each $V_{DD\_x}$ power line (source) <sup>(1)</sup>        | 100   |      |
| $I_{VSS}$                   | Maximum current out of each $V_{SS\_x}$ ground line (sink) <sup>(1)</sup>       | -100  |      |
| $I_{IO}$                    | Output current sunk by any I/O and control pin                                  | 25    |      |
|                             | Output current sourced by any I/Os and control pin                              | -25   |      |
| $\Sigma I_{IO}$             | Total output current sunk by sum of all I/O and control pins <sup>(2)</sup>     | 120   |      |
|                             | Total output current sourced by sum of all I/Os and control pins <sup>(2)</sup> | -120  |      |
| $I_{INJ(PIN)}^{(3)}$        | Injected current on FT pins <sup>(4)</sup>                                      | -5/+0 |      |
|                             | Injected current on NRST and BOOT0 pins <sup>(4)</sup>                          |       |      |
|                             | Injected current on TTa pins <sup>(5)</sup>                                     | ±5    |      |
| $\Sigma I_{INJ(PIN)}^{(5)}$ | Total injected current (sum of all I/O and control pins) <sup>(6)</sup>         | ±25   |      |

1. All main power ( $V_{DD}$ ,  $V_{DDA}$ ) and ground ( $V_{SS}$ ,  $V_{SSA}$ ) pins must always be connected to the external power supply, in the permitted range.
2. This current consumption must be correctly distributed over all I/Os and control pins. The total output current must not be sunk/sourced between two consecutive power supply pins referring to high pin count LQFP packages.
3. Negative injection disturbs the analog performance of the device. See note in [Section 6.3.21: 12-bit ADC characteristics](#).
4. Positive injection is not possible on these I/Os and does not occur for input voltages lower than the specified maximum value.
5. A positive injection is induced by  $V_{IN} > V_{DDA}$  while a negative injection is induced by  $V_{IN} < V_{SS}$ .  $I_{INJ(PIN)}$  must never be exceeded. Refer to [Table 14](#) for the values of the maximum allowed input voltage.
6. When several inputs are submitted to a current injection, the maximum  $\Sigma I_{INJ(PIN)}$  is the absolute sum of the positive and negative injected currents (instantaneous values).

**Table 16. Thermal characteristics**

| Symbol    | Ratings                      | Value       | Unit |
|-----------|------------------------------|-------------|------|
| $T_{STG}$ | Storage temperature range    | -65 to +150 | °C   |
| $T_J$     | Maximum junction temperature | 125         | °C   |

### 6.3 Operating conditions

#### 6.3.1 General operating conditions

Table 17. General operating conditions

| Symbol             | Parameter                     | Conditions <sup>(1)</sup>   | Min                           | Typ            | Max | Unit |     |
|--------------------|-------------------------------|---|-------------------------------|----------------|-----|------|-----|
| f <sub>HCLK</sub>  | Internal AHB clock frequency  | Power Scale 3 (VOS[1:0] bits in PWR_CR register = 0x01), Regulator ON, over-drive OFF | 0                             | -              | 120 | MHz  |     |
|                    |                               | Power Scale 2 (VOS[1:0] bits in PWR_CR register = 0x10), Regulator ON                 | Over-drive OFF                | 0              | -   |      | 144 |
|                    |                               |   | Over-drive ON                 |                | -   |      | 168 |
|                    |                               | Power Scale 1 (VOS[1:0] bits in PWR_CR register= 0x11), Regulator ON                  | Over-drive OFF                | 0              | -   |      | 168 |
|                    |                               |   | Over-drive ON                 |                | -   |      | 180 |
|                    |                               | f <sub>PCLK1</sub>  | Internal APB1 clock frequency | Over-drive OFF | 0   |      | -   |
| Over-drive ON      | 0                             |   |                               | -              | 45  |      |     |
| f <sub>PCLK2</sub> | Internal APB2 clock frequency | Over-drive OFF  | 0                             | -              | 84  |      |     |
|                    |                               | Over-drive ON   | 0                             | -              | 90  |      |     |

Table 17. General operating conditions (continued)

| Symbol                                 | Parameter   | Conditions <sup>(1)</sup>   | Min                           | Typ                       | Max  | Unit |
|--|---|---|-------------------------------|---------------------------|------|------|
| V <sub>DD</sub>                        | Standard operating voltage  |   | 1.7 <sup>(2)</sup>            | -                         | 3.6  | V    |
| V <sub>DDA</sub> <sup>(3)</sup><br>(4) | Analog operating voltage<br>(ADC limited to 1.2 M samples)  | Must be the same potential as V <sub>DD</sub> <sup>(5)</sup>  | 1.7 <sup>(2)</sup>            | -                         | 2.4  |      |
|  | Analog operating voltage<br>(ADC limited to 2.4 M samples)  |   | 2.4                           | -                         | 3.6  |      |
| V <sub>BAT</sub>                       | Backup operating voltage  |   | 1.65                          | -                         | 3.6  |      |
| V <sub>12</sub>                        | Regulator ON: 1.2 V internal<br>voltage on V <sub>CAP_1</sub> /V <sub>CAP_2</sub> pins  | Power Scale 3 ((VOS[1:0] bits in<br>PWR_CR register = 0x01), 120 MHz<br>HCLK max frequency  | 1.08                          | 1.14                      | 1.20 |      |
|  |   | Power Scale 2 ((VOS[1:0] bits in<br>PWR_CR register = 0x10), 144 MHz<br>HCLK max frequency with over-drive<br>OFF or 168 MHz with over-drive ON | 1.20                          | 1.26                      | 1.32 |      |
|  |   | Power Scale 1 ((VOS[1:0] bits in<br>PWR_CR register = 0x11), 168 MHz<br>HCLK max frequency with over-drive<br>OFF or 180 MHz with over-drive ON | 1.26                          | 1.32                      | 1.40 |      |
|  | Regulator OFF: 1.2 V external<br>voltage must be supplied from<br>external regulator on<br>V <sub>CAP_1</sub> /V <sub>CAP_2</sub> pins <sup>(6)</sup> | Max frequency 120 MHz   | 1.10                          | 1.14                      | 1.20 |      |
|  |   | Max frequency 144 MHz   | 1.20                          | 1.26                      | 1.32 |      |
|  |   | Max frequency 168 MHz   | 1.26                          | 1.32                      | 1.38 |      |
|  | V <sub>IN</sub>   | Input voltage on RST and FT<br>pins <sup>(7)</sup>  | 2 V ≤ V <sub>DD</sub> ≤ 3.6 V | -0.3                      | -    | 5.5  |
| V <sub>DD</sub> ≤ 2 V                  |   |   | -0.3                          | -                         | 5.2  |      |
| Input voltage on TTA pins              |   | -0.3  | -                             | V <sub>DDA</sub> +<br>0.3 |      |      |
|  | Input voltage on BOOT0 pin  | 0   | -                             | 9                         |      |      |
| P <sub>D</sub>                         | Power dissipation at T <sub>A</sub> = 85 °C<br>for suffix 6 or T <sub>A</sub> = 105 °C for<br>suffix 7 <sup>(8)</sup>                                 | LQFP100   | -                             | -                         | 465  |      |
|  |   | WLCSP143  | -                             | -                         | 641  |      |
|  |   | LQFP144   | -                             | -                         | 500  |      |
|  |   | UFBGA169  | -                             | -                         | 385  |      |
|  |   | LQFP176   | -                             | -                         | 526  |      |
|  |   | UFBGA176  | -                             | -                         | 513  |      |
|  |   | LQFP208   | -                             | -                         | 1053 |      |
| TFBGA216                               | -   | -   | 690                           |                           |      |      |
| T <sub>A</sub>                         | Ambient temperature for 6 suffix<br>version   | Maximum power dissipation   | -40                           |                           | 85   |      |
|  |   | Low power dissipation <sup>(9)</sup>  | -40                           |                           | 105  |      |
|  | Ambient temperature for 7 suffix<br>version   | Maximum power dissipation   | -40                           |                           | 105  |      |
|  |   | Low power dissipation <sup>(9)</sup>  | -40                           |                           | 125  |      |

**Table 17. General operating conditions (continued)**

| Symbol         | Parameter                  | Conditions <sup>(1)</sup> | Min | Typ | Max | Unit |
|----------------|----------------------------|---------------------------|-----|-----|-----|------|
| T <sub>J</sub> | Junction temperature range | 6 suffix version          | -40 |     | 105 | °C   |
|                |                            | 7 suffix version          | -40 |     | 125 |      |

1. The over-drive mode is not supported at the voltage ranges from 1.7 to 2.1 V.
2. V<sub>DD</sub>/V<sub>DDA</sub> minimum value of 1.7 V is obtained with the use of an external power supply supervisor (refer to [Section 3.17.2: Internal reset OFF](#)).
3. When the ADC is used, refer to [Table 76: ADC characteristics](#).
4. If V<sub>REF+</sub> pin is present, it must respect the following condition: V<sub>DDA</sub>-V<sub>REF+</sub> < 1.2 V.
5. It is recommended to power V<sub>DD</sub> and V<sub>DDA</sub> from the same source. A maximum difference of 300 mV between V<sub>DD</sub> and V<sub>DDA</sub> can be tolerated during power-up and power-down operation.
6. The over-drive mode is not supported when the internal regulator is OFF.
7. To sustain a voltage higher than VDD+0.3, the internal Pull-up and Pull-Down resistors must be disabled
8. If T<sub>A</sub> is lower, higher P<sub>D</sub> values are allowed as long as T<sub>J</sub> does not exceed T<sub>Jmax</sub>.
9. In low power dissipation state, T<sub>A</sub> can be extended to this range as long as T<sub>J</sub> does not exceed T<sub>Jmax</sub>.

**Table 18. Limitations depending on the operating power supply range**

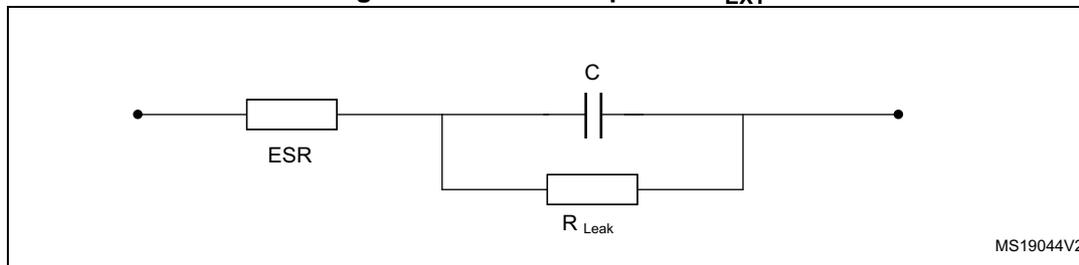
| Operating power supply range                  | ADC operation                  | Maximum Flash memory access frequency with no wait states (f <sub>Flashmax</sub> ) | Maximum HCLK frequency vs Flash memory wait states (1)(2) | I/O operation            | Possible Flash memory operations        |
|---|--------------------------------|--|---|--------------------------|---|
| V <sub>DD</sub> = 1.7 to 2.1 V <sup>(3)</sup> | Conversion time up to 1.2 Msps | 20 MHz <sup>(4)</sup>  | 168 MHz with 8 wait states and over-drive OFF             | - No I/O compensation    | 8-bit erase and program operations only |
| V <sub>DD</sub> = 2.1 to 2.4 V                | Conversion time up to 1.2 Msps | 22 MHz   | 180 MHz with 8 wait states and over-drive ON              | - No I/O compensation    | 16-bit erase and program operations     |
| V <sub>DD</sub> = 2.4 to 2.7 V                | Conversion time up to 2.4 Msps | 24 MHz   | 180 MHz with 7 wait states and over-drive ON              | - I/O compensation works | 16-bit erase and program operations     |
| V <sub>DD</sub> = 2.7 to 3.6 V <sup>(5)</sup> | Conversion time up to 2.4 Msps | 30 MHz   | 180 MHz with 5 wait states and over-drive ON              | - I/O compensation works | 32-bit erase and program operations     |

1. Applicable only when the code is executed from Flash memory. When the code is executed from RAM, no wait state is required.
2. Thanks to the ART accelerator and the 128-bit Flash memory, the number of wait states given here does not impact the execution speed from Flash memory since the ART accelerator allows to achieve a performance equivalent to 0 wait state program execution.
3. V<sub>DD</sub>/V<sub>DDA</sub> minimum value of 1.7 V is obtained with the use of an external power supply supervisor (refer to [Section 3.17.2: Internal reset OFF](#)).
4. Prefetch is not available.
5. The voltage range for USB full speed PHYs can drop down to 2.7 V. However the electrical characteristics of D- and D+ pins will be degraded between 2.7 and 3 V.

### 6.3.2 VCAP1/VCAP2 external capacitor

Stabilization for the main regulator is achieved by connecting an external capacitor  $C_{EXT}$  to the VCAP1/VCAP2 pins.  $C_{EXT}$  is specified in [Table 19](#).

Figure 24. External capacitor  $C_{EXT}$



- Legend: ESR is the equivalent series resistance.

Table 19. VCAP1/VCAP2 operating conditions<sup>(1)</sup>

| Symbol           | Parameter                         | Conditions |
|------------------|-----------------------------------|------------|
| C <sub>EXT</sub> | Capacitance of external capacitor | 2.2 μF     |
| ESR              | ESR of external capacitor         | < 2 Ω      |

- When bypassing the voltage regulator, the two 2.2 μF  $V_{CAP}$  capacitors are not required and should be replaced by two 100 nF decoupling capacitors.

### 6.3.3 Operating conditions at power-up / power-down (regulator ON)

Subject to general operating conditions for  $T_A$ .

Table 20. Operating conditions at power-up / power-down (regulator ON)

| Symbol    | Parameter               | Min | Max | Unit |
|-----------|-------------------------|-----|-----|------|
| $t_{VDD}$ | $V_{DD}$ rise time rate | 20  | ∞   | μs/V |
|           | $V_{DD}$ fall time rate | 20  | ∞   |      |

### 6.3.4 Operating conditions at power-up / power-down (regulator OFF)

Subject to general operating conditions for  $T_A$ .

Table 21. Operating conditions at power-up / power-down (regulator OFF)<sup>(1)</sup>

| Symbol     | Parameter                                    | Conditions | Min | Max | Unit |
|------------|--|------------|-----|-----|------|
| $t_{VDD}$  | $V_{DD}$ rise time rate                      | Power-up   | 20  | ∞   | μs/V |
|            | $V_{DD}$ fall time rate                      | Power-down | 20  | ∞   |      |
| $t_{VCAP}$ | $V_{CAP\_1}$ and $V_{CAP\_2}$ rise time rate | Power-up   | 20  | ∞   |      |
|            | $V_{CAP\_1}$ and $V_{CAP\_2}$ fall time rate | Power-down | 20  | ∞   |      |

- To reset the internal logic at power-down, a reset must be applied on pin PA0 when  $V_{DD}$  reach below 1.08 V.

6.3.5 reset and power control block characteristics

The parameters given in [Table 22](#) are derived from tests performed under ambient temperature and V<sub>DD</sub> supply voltage conditions summarized in [Table 17](#).

Table 22. reset and power control block characteristics

| Symbol                                  | Parameter                                     | Conditions                  | Min  | Typ  | Max  | Unit |
|---|---|-----------------------------|------|------|------|------|
| V <sub>PVD</sub>                        | Programmable voltage detector level selection | PLS[2:0]=000 (rising edge)  | 2.09 | 2.14 | 2.19 | V    |
|   |   | PLS[2:0]=000 (falling edge) | 1.98 | 2.04 | 2.08 | V    |
|   |   | PLS[2:0]=001 (rising edge)  | 2.23 | 2.30 | 2.37 | V    |
|   |   | PLS[2:0]=001 (falling edge) | 2.13 | 2.19 | 2.25 | V    |
|   |   | PLS[2:0]=010 (rising edge)  | 2.39 | 2.45 | 2.51 | V    |
|   |   | PLS[2:0]=010 (falling edge) | 2.29 | 2.35 | 2.39 | V    |
|   |   | PLS[2:0]=011 (rising edge)  | 2.54 | 2.60 | 2.65 | V    |
|   |   | PLS[2:0]=011 (falling edge) | 2.44 | 2.51 | 2.56 | V    |
|   |   | PLS[2:0]=100 (rising edge)  | 2.70 | 2.76 | 2.82 | V    |
|   |   | PLS[2:0]=100 (falling edge) | 2.59 | 2.66 | 2.71 | V    |
|   |   | PLS[2:0]=101 (rising edge)  | 2.86 | 2.93 | 2.99 | V    |
|   |   | PLS[2:0]=101 (falling edge) | 2.65 | 2.84 | 3.02 | V    |
|   |   | PLS[2:0]=110 (rising edge)  | 2.96 | 3.03 | 3.10 | V    |
|   |   | PLS[2:0]=110 (falling edge) | 2.85 | 2.93 | 2.99 | V    |
|   |   | PLS[2:0]=111 (rising edge)  | 3.07 | 3.14 | 3.21 | V    |
| PLS[2:0]=111 (falling edge)             | 2.95  | 3.03                        | 3.09 | V    |      |      |
| V <sub>PVDhyst</sub> <sup>(1)</sup>     | PVD hysteresis                                |                             | -    | 100  | -    | mV   |
| V <sub>POR/PDR</sub>                    | Power-on/power-down reset threshold           | Falling edge                | 1.60 | 1.68 | 1.76 | V    |
|   |   | Rising edge                 | 1.64 | 1.72 | 1.80 | V    |
| V <sub>PDRhyst</sub> <sup>(1)</sup>     | PDR hysteresis                                |                             | -    | 40   | -    | mV   |
| V <sub>BOR1</sub>                       | Brownout level 1 threshold                    | Falling edge                | 2.13 | 2.19 | 2.24 | V    |
|   |   | Rising edge                 | 2.23 | 2.29 | 2.33 | V    |
| V <sub>BOR2</sub>                       | Brownout level 2 threshold                    | Falling edge                | 2.44 | 2.50 | 2.56 | V    |
|   |   | Rising edge                 | 2.53 | 2.59 | 2.63 | V    |
| V <sub>BOR3</sub>                       | Brownout level 3 threshold                    | Falling edge                | 2.75 | 2.83 | 2.88 | V    |
|   |   | Rising edge                 | 2.85 | 2.92 | 2.97 | V    |
| V <sub>BORhyst</sub> <sup>(1)</sup>     | BOR hysteresis                                |                             | -    | 100  | -    | mV   |
| T <sub>RSTTEMPO</sub> <sup>(1)(2)</sup> | POR reset temporization                       |                             | 0.5  | 1.5  | 3.0  | ms   |

**Table 22. reset and power control block characteristics (continued)**

| Symbol           | Parameter   | Conditions  | Min | Typ | Max | Unit          |
|------------------|---|---|-----|-----|-----|---------------|
| $I_{RUSH}^{(1)}$ | InRush current on voltage regulator power-on (POR or wakeup from Standby) |   | -   | 160 | 200 | mA            |
| $E_{RUSH}^{(1)}$ | InRush energy on voltage regulator power-on (POR or wakeup from Standby)  | $V_{DD} = 1.7\text{ V}$ , $T_A = 105\text{ °C}$ ,<br>$I_{RUSH} = 171\text{ mA}$ for $31\text{ }\mu\text{s}$ | -   | -   | 5.4 | $\mu\text{C}$ |

1. Guaranteed by design, not tested in production.
2. The reset temporization is measured from the power-on (POR reset or wakeup from  $V_{BAT}$ ) to the instant when first instruction is read by the user application code.

### 6.3.6 Over-drive switching characteristics

When the over-drive mode switches from enabled to disabled or disabled to enabled, the system clock is stalled during the internal voltage set-up.

The over-drive switching characteristics are given in [Table 23](#). They are subject to general operating conditions for  $T_A$ .

**Table 23. Over-drive switching characteristics<sup>(1)</sup>**

| Symbol    | Parameter                      | Conditions                            | Min | Typ | Max | Unit          |
|-----------|--------------------------------|---------------------------------------|-----|-----|-----|---------------|
| Tod_swen  | Over_drive switch enable time  | HSI                                   | -   | 45  | -   | $\mu\text{s}$ |
|           |                                | HSE max for 4 MHz and min for 26 MHz  | 45  | -   | 100 |               |
|           |                                | External HSE 50 MHz                   | -   | 40  | -   |               |
| Tod_swdis | Over_drive switch disable time | HSI                                   | -   | 20  | -   |               |
|           |                                | HSE max for 4 MHz and min for 26 MHz. | 20  | -   | 80  |               |
|           |                                | External HSE 50 MHz                   | -   | 15  | -   |               |

1. Guaranteed by design, not tested in production.

### 6.3.7 Supply current characteristics

The current consumption is a function of several parameters and factors such as the operating voltage, ambient temperature, I/O pin loading, device software configuration, operating frequencies, I/O pin switching rate, program location in memory and executed binary code.

The current consumption is measured as described in [Figure 23: Current consumption measurement scheme](#).

All the run-mode current consumption measurements given in this section are performed with a reduced code that gives a consumption equivalent to CoreMark code.

### Typical and maximum current consumption

The MCU is placed under the following conditions:

- All I/O pins are in input mode with a static value at  $V_{DD}$  or  $V_{SS}$  (no load).
- All peripherals are disabled except if it is explicitly mentioned.
- The Flash memory access time is adjusted both to  $f_{HCLK}$  frequency and  $V_{DD}$  range (see [Table 18: Limitations depending on the operating power supply range](#)).
- Regulator ON
- The voltage scaling and over-drive mode are adjusted to  $f_{HCLK}$  frequency as follows:
  - Scale 3 for  $f_{HCLK} \leq 120$  MHz
  - Scale 2 for  $120 \text{ MHz} < f_{HCLK} \leq 144$  MHz
  - Scale 1 for  $144 \text{ MHz} < f_{HCLK} \leq 180$  MHz. The over-drive is only ON at 180 MHz.
- The system clock is HCLK,  $f_{PCLK1} = f_{HCLK}/4$ , and  $f_{PCLK2} = f_{HCLK}/2$ .
- External clock frequency is 4 MHz and PLL is ON when  $f_{HCLK}$  is higher than 25 MHz.
- The maximum values are obtained for  $V_{DD} = 3.6$  V and a maximum ambient temperature ( $T_A$ ), and the typical values for  $T_A = 25$  °C and  $V_{DD} = 3.3$  V unless otherwise specified.

**Table 24. Typical and maximum current consumption in Run mode, code with data processing running from Flash memory (ART accelerator enabled except prefetch) or RAM<sup>(1)</sup>**

| Symbol          | Parameter                  | Conditions                                | f <sub>HCLK</sub> (MHz) | Typ | Max <sup>(2)</sup>     |                        |                         | Unit |
|-----------------|----------------------------|---|-------------------------|-----|------------------------|------------------------|-------------------------|------|
|                 |                            |   |                         |     | T <sub>A</sub> = 25 °C | T <sub>A</sub> = 85 °C | T <sub>A</sub> = 105 °C |      |
| I <sub>DD</sub> | Supply current in RUN mode | All Peripherals enabled <sup>(3)(4)</sup> | 180                     | 98  | 104 <sup>(5)</sup>     | 123 <sup>(5)</sup>     | 141 <sup>(5)</sup>      | mA   |
|                 |                            |   | 168                     | 89  | 98 <sup>(5)</sup>      | 116 <sup>(5)</sup>     | 133 <sup>(5)</sup>      |      |
|                 |                            |   | 150                     | 75  | 84                     | 100                    | 115                     |      |
|                 |                            |   | 144                     | 72  | 81                     | 96                     | 112                     |      |
|                 |                            |   | 120                     | 54  | 58                     | 72                     | 85                      |      |
|                 |                            |   | 90                      | 43  | 45                     | 56                     | 66                      |      |
|                 |                            |   | 60                      | 29  | 30                     | 38                     | 45                      |      |
|                 |                            |   | 30                      | 16  | 20                     | 34                     | 46                      |      |
|                 |                            |   | 25                      | 13  | 16                     | 30                     | 43                      |      |
|                 |                            |   | 16                      | 11  | 13                     | 27                     | 39                      |      |
|                 |                            |   | 8                       | 5   | 9                      | 23                     | 36                      |      |
|                 |                            |   | 4                       | 4   | 8                      | 21                     | 34                      |      |
|                 |                            | 2   | 2                       | 7   | 20                     | 33                     |                         |      |
|                 |                            | All Peripherals disabled <sup>(3)</sup>   | 180                     | 44  | 47 <sup>(5)</sup>      | 69 <sup>(5)</sup>      | 87 <sup>(5)</sup>       |      |
|                 |                            |   | 168                     | 41  | 45 <sup>(5)</sup>      | 66 <sup>(5)</sup>      | 83 <sup>(5)</sup>       |      |
|                 |                            |   | 150                     | 36  | 39                     | 57                     | 73                      |      |
|                 |                            |   | 144                     | 33  | 37                     | 56                     | 72                      |      |
|                 |                            |   | 120                     | 25  | 29                     | 43                     | 56                      |      |
|                 |                            |   | 90                      | 20  | 21                     | 32                     | 41                      |      |
|                 |                            |   | 60                      | 14  | 15                     | 22                     | 28                      |      |
|                 |                            |   | 30                      | 8   | 8                      | 12                     | 26                      |      |
|                 |                            |   | 25                      | 7   | 7                      | 10                     | 24                      |      |
|                 |                            |   | 16                      | 7   | 6.5                    | 9                      | 22                      |      |
|                 |                            |   | 8                       | 3   | 3.4                    | 7                      | 21                      |      |
| 4               | 3                          |   | 2.7                     | 6   | 20                     |                        |                         |      |
| 2               | 2                          | 2.4                                       | 6                       | 20  |                        |                        |                         |      |

- Code and data processing running from SRAM1 using boot pins.
- Guaranteed by characterization, not tested in production.
- When analog peripheral blocks such as ADCs, DACs, HSE, LSE, HSI, or LSI are ON, an additional power consumption should be considered.
- When the ADC is ON (ADON bit set in the ADC\_CR2 register), add an additional power consumption of 1.6 mA per ADC for the analog part.
- Guaranteed by test in production.

**Table 25. Typical and maximum current consumption in Run mode, code with data processing running from Flash memory (ART accelerator disabled)**

| Symbol          | Parameter                  | Conditions                                | f <sub>HCLK</sub> (MHz) | Typ | Max <sup>(1)</sup> |          |           | Unit |
|-----------------|----------------------------|---|-------------------------|-----|--------------------|----------|-----------|------|
|                 |                            |   |                         |     | TA=25 °C           | TA=85 °C | TA=105 °C |      |
| I <sub>DD</sub> | Supply current in RUN mode | All Peripherals enabled <sup>(2)(3)</sup> | 180                     | 103 | 112                | 140      | 151       | mA   |
|                 |                            |   | 168                     | 98  | 107                | 126      | 144       |      |
|                 |                            |   | 150                     | 87  | 95                 | 112      | 128       |      |
|                 |                            |   | 144                     | 85  | 92                 | 108      | 124       |      |
|                 |                            |   | 120                     | 66  | 71                 | 85       | 99        |      |
|                 |                            |   | 90                      | 54  | 58                 | 69       | 80        |      |
|                 |                            |   | 60                      | 37  | 39                 | 47       | 55        |      |
|                 |                            |   | 30                      | 20  | 24                 | 39       | 51        |      |
|                 |                            |   | 25                      | 17  | 21                 | 35       | 48        |      |
|                 |                            |   | 16                      | 12  | 16                 | 30       | 42        |      |
|                 |                            |   | 8                       | 7   | 11                 | 24       | 37        |      |
|                 |                            |   | 4                       | 5   | 8                  | 22       | 35        |      |
|                 |                            | 2   | 3                       | 7   | 21                 | 34       |           |      |
|                 |                            | All Peripherals disabled <sup>(3)</sup>   | 180                     | 57  | 62                 | 87       | 106       |      |
|                 |                            |   | 168                     | 50  | 54                 | 76       | 93        |      |
|                 |                            |   | 150                     | 46  | 50                 | 70       | 86        |      |
|                 |                            |   | 144                     | 45  | 49                 | 68       | 84        |      |
|                 |                            |   | 120                     | 36  | 41                 | 56       | 69        |      |
|                 |                            |   | 90                      | 29  | 34                 | 46       | 57        |      |
|                 |                            |   | 60                      | 21  | 24                 | 33       | 41        |      |
|                 |                            |   | 30                      | 13  | 17                 | 31       | 44        |      |
|                 |                            |   | 25                      | 11  | 15                 | 28       | 41        |      |
|                 |                            |   | 16                      | 8   | 12                 | 25       | 38        |      |
|                 |                            |   | 8                       | 5   | 9                  | 23       | 35        |      |
| 4               | 4                          |   | 7                       | 21  | 34                 |          |           |      |
| 2               | 3                          | 6.5                                       | 20                      | 33  |                    |          |           |      |

1. Guaranteed by characterization, not tested in production unless otherwise specified.
2. When analog peripheral blocks such as ADCs, DACs, HSE, LSE, HSI, or LSI are ON, an additional power consumption should be considered.
3. When the ADC is ON (ADON bit set in the ADC\_CR2 register), add an additional power consumption of 1.6 mA per ADC for the analog part.

Table 26. Typical and maximum current consumption in Sleep mode

| Symbol          | Parameter                    | Conditions                             | f <sub>HCLK</sub> (MHz) | Typ | Max <sup>(1)</sup>     |                        |                         | Unit |
|-----------------|------------------------------|--|-------------------------|-----|------------------------|------------------------|-------------------------|------|
|                 |                              |  |                         |     | T <sub>A</sub> = 25 °C | T <sub>A</sub> = 85 °C | T <sub>A</sub> = 105 °C |      |
| I <sub>DD</sub> | Supply current in Sleep mode | All Peripherals enabled <sup>(2)</sup> | 180                     | 78  | 89 <sup>(3)</sup>      | 110 <sup>(3)</sup>     | 130 <sup>(3)</sup>      | mA   |
|                 |                              |  | 168                     | 66  | 75 <sup>(3)</sup>      | 93 <sup>(3)</sup>      | 110 <sup>(3)</sup>      |      |
|                 |                              |  | 150                     | 56  | 61                     | 80                     | 96                      |      |
|                 |                              |  | 144                     | 54  | 58                     | 78                     | 94                      |      |
|                 |                              |  | 120                     | 40  | 44                     | 59                     | 72                      |      |
|                 |                              |  | 90                      | 32  | 34                     | 46                     | 56                      |      |
|                 |                              |  | 60                      | 22  | 23                     | 31                     | 38                      |      |
|                 |                              |  | 30                      | 10  | 16                     | 30                     | 43                      |      |
|                 |                              |  | 25                      | 9   | 14                     | 28                     | 40                      |      |
|                 |                              |  | 16                      | 5   | 12                     | 25                     | 40                      |      |
|                 |                              |  | 8                       | 3   | 8                      | 22                     | 35                      |      |
|                 |                              |  | 4                       | 3   | 7                      | 21                     | 34                      |      |
|                 |                              | 2                                      | 2                       | 6.5 | 20                     | 33                     |                         |      |
|                 |                              | All Peripherals disabled               | 180                     | 21  | 26 <sup>(3)</sup>      | 54 <sup>(3)</sup>      | 76 <sup>(3)</sup>       |      |
|                 |                              |  | 168                     | 16  | 20 <sup>(3)</sup>      | 41 <sup>(3)</sup>      | 58 <sup>(3)</sup>       |      |
|                 |                              |  | 150                     | 14  | 17                     | 36                     | 52                      |      |
|                 |                              |  | 144                     | 13  | 16.5                   | 35                     | 51                      |      |
|                 |                              |  | 120                     | 10  | 14                     | 28                     | 41                      |      |
|                 |                              |  | 90                      | 8   | 13                     | 26                     | 37                      |      |
|                 |                              |  | 60                      | 6   | 9                      | 17                     | 25                      |      |
|                 |                              |  | 30                      | 5   | 8                      | 22                     | 35                      |      |
|                 |                              |  | 25                      | 3   | 7                      | 21                     | 34                      |      |
|                 |                              |  | 16                      | 3   | 7                      | 21                     | 34                      |      |
|                 |                              |  | 8                       | 2   | 6                      | 20                     | 33                      |      |
| 4               | 2                            |  | 6                       | 20  | 33                     |                        |                         |      |
| 2               | 2                            | 6                                      | 20                      | 33  |                        |                        |                         |      |

1. Guaranteed by characterization, not tested in production unless otherwise specified.
2. When analog peripheral blocks such as ADCs, DACs, HSE, LSE, HSI, or LSI are ON, an additional power consumption should be considered.
3. Based on characterization, tested in production.

**Table 27. Typical and maximum current consumptions in Stop mode**

| Symbol   | Parameter  | Conditions  | Max <sup>(1)</sup>      |                        |                        |                         | Unit |
|--|--|---|-------------------------|------------------------|------------------------|-------------------------|------|
|  |  |   | V <sub>DD</sub> = 3.6 V |                        |                        |                         |      |
|  |  |   | Typ                     | T <sub>A</sub> = 25 °C | T <sub>A</sub> = 85 °C | T <sub>A</sub> = 105 °C |      |
| I <sub>DD_STOP_NM</sub><br>(normal mode)       | Supply current in Stop mode with voltage regulator in main regulator mode                      | Flash memory in Stop mode, all oscillators OFF, no independent watchdog   | 0.40                    | 1.50                   | 14.00                  | 25.00                   | mA   |
|  |  | Flash memory in Deep power down mode, all oscillators OFF, no independent watchdog  | 0.35                    | 1.50                   | 14.00                  | 25.00                   |      |
|  | Supply current in Stop mode with voltage regulator in Low Power regulator mode                 | Flash memory in Stop mode, all oscillators OFF, no independent watchdog   | 0.29                    | 1.10                   | 10.00                  | 18.00                   |      |
|  |  | Flash memory in Deep power down mode, all oscillators OFF, no independent watchdog  | 0.23                    | 1.10                   | 10.00                  | 18.00                   |      |
| I <sub>DD_STOP_UDM</sub><br>(under-drive mode) | Supply current in Stop mode with voltage regulator in main regulator and under-drive mode      | Flash memory in Deep power down mode, main regulator in under-drive mode, all oscillators OFF, no independent watchdog      | 0.19                    | 0.50                   | 6.00                   | 9.00                    |      |
|  | Supply current in Stop mode with voltage regulator in Low Power regulator and under-drive mode | Flash memory in Deep power down mode, Low Power regulator in under-drive mode, all oscillators OFF, no independent watchdog | 0.12                    | 0.40                   | 4.00                   | 7.00                    |      |

1. Data based on characterization, tested in production.

**Table 28. Typical and maximum current consumptions in Standby mode**

| Symbol               | Parameter                      | Conditions   | Typ <sup>(1)</sup>      |                         |                         | Max <sup>(2)</sup>      |                        |                         | Unit |
|----------------------|--------------------------------|--|-------------------------|-------------------------|-------------------------|-------------------------|------------------------|-------------------------|------|
|                      |                                |  | T <sub>A</sub> = 25 °C  |                         |                         | T <sub>A</sub> = 25 °C  | T <sub>A</sub> = 85 °C | T <sub>A</sub> = 105 °C |      |
|                      |                                |  | V <sub>DD</sub> = 1.7 V | V <sub>DD</sub> = 2.4 V | V <sub>DD</sub> = 3.3 V | V <sub>DD</sub> = 3.6 V |                        |                         |      |
| I <sub>DD_STBY</sub> | Supply current in Standby mode | Backup SRAM ON, low-speed oscillator (LSE) and RTC ON  | 2.80                    | 3.00                    | 3.60                    | 7.00                    | 19.00                  | 36.00                   | µA   |
|                      |                                | Backup SRAM OFF, low-speed oscillator (LSE) and RTC ON | 2.30                    | 2.60                    | 3.10                    | 6.00                    | 16.00                  | 31.00                   |      |
|                      |                                | Backup SRAM ON, RTC and LSE OFF                        | 2.30                    | 2.50                    | 2.90                    | 6.00 <sup>(3)</sup>     | 18.00 <sup>(3)</sup>   | 35.00 <sup>(3)</sup>    |      |
|                      |                                | Backup SRAM OFF, RTC and LSE OFF                       | 1.70                    | 1.90                    | 2.20                    | 5.00 <sup>(3)</sup>     | 15.00 <sup>(3)</sup>   | 30.00 <sup>(3)</sup>    |      |

1. When the PDR is OFF (internal reset is OFF), the typical current consumption is reduced by 1.2 µA.



- 2. Based on characterization, not tested in production unless otherwise specified.
- 3. Based on characterization, tested in production.

**Table 29. Typical and maximum current consumptions in V<sub>BAT</sub> mode**

| Symbol               | Parameter                    | Conditions <sup>(1)</sup>                              | Typ                      |                          |                          | Max <sup>(2)</sup>       |                         | Unit |
|----------------------|------------------------------|--|--------------------------|--------------------------|--------------------------|--------------------------|-------------------------|------|
|                      |                              |  | T <sub>A</sub> = 25 °C   |                          |                          | T <sub>A</sub> = 85 °C   | T <sub>A</sub> = 105 °C |      |
|                      |                              |  | V <sub>BAT</sub> = 1.7 V | V <sub>BAT</sub> = 2.4 V | V <sub>BAT</sub> = 3.3 V | V <sub>BAT</sub> = 3.6 V |                         |      |
| I <sub>DD_VBAT</sub> | Backup domain supply current | Backup SRAM ON, low-speed oscillator (LSE) and RTC ON  | 1.28                     | 1.40                     | 1.62                     | 6                        | 11                      | μA   |
|                      |                              | Backup SRAM OFF, low-speed oscillator (LSE) and RTC ON | 0.66                     | 0.76                     | 0.97                     | 3                        | 5                       |      |
|                      |                              | Backup SRAM ON, RTC and LSE OFF                        | 0.70                     | 0.72                     | 0.74                     | 5                        | 10                      |      |
|                      |                              | Backup SRAM OFF, RTC and LSE OFF                       | 0.10                     | 0.10                     | 0.10                     | 2                        | 4                       |      |

- 1. Crystal used: Abracon ABS07-120-32.768 kHz-T with a C<sub>L</sub> of 6 pF for typical values.
- 2. Based on characterization, not tested in production.

**Figure 25. Typical V<sub>BAT</sub> current consumption (LSE and RTC ON/backup RAM OFF)**

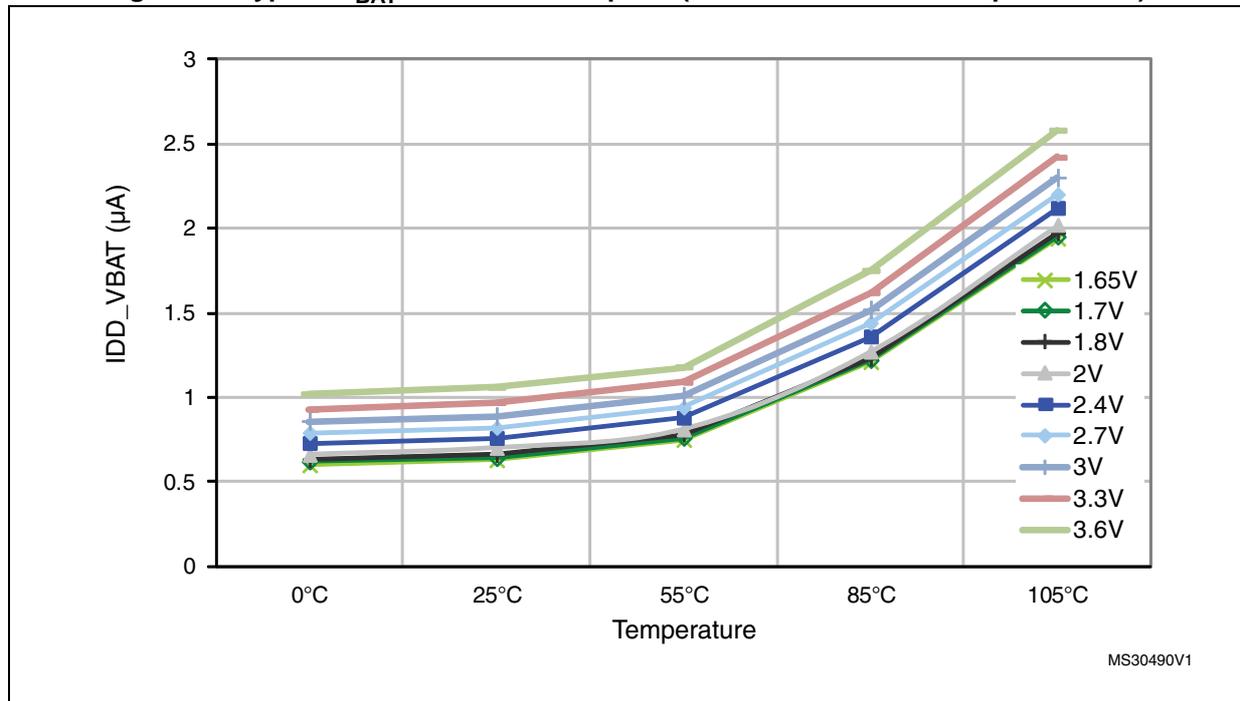
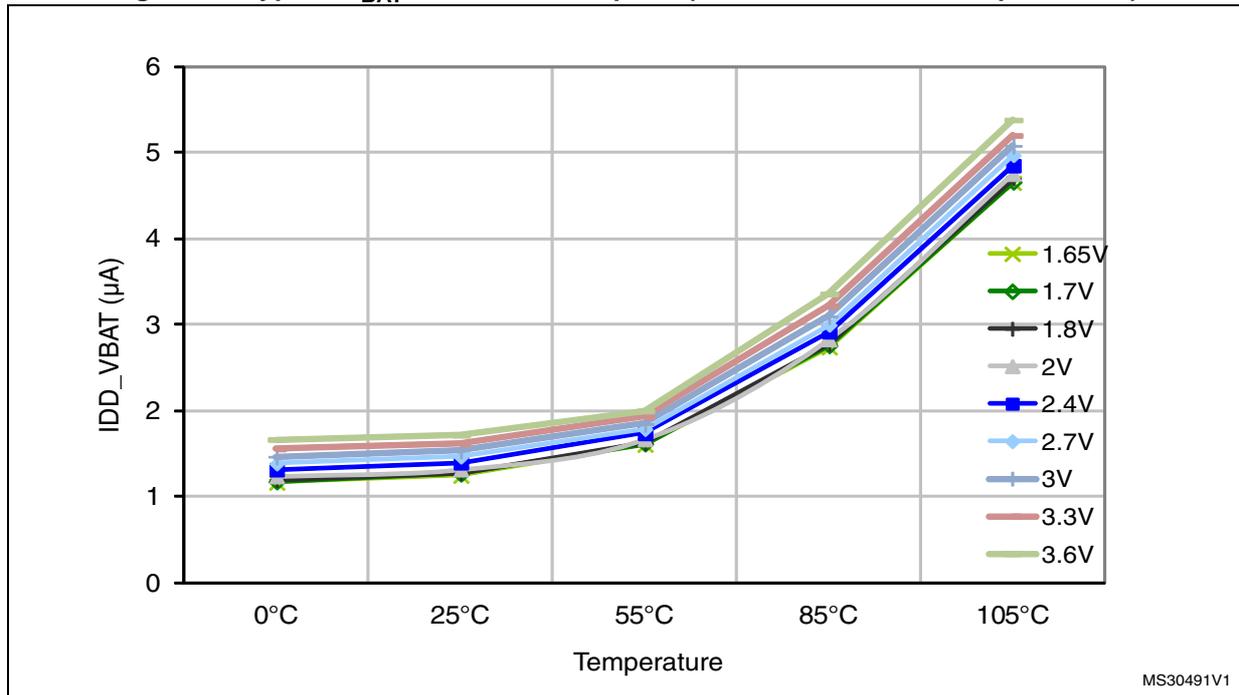


Figure 26. Typical  $V_{BAT}$  current consumption (LSE and RTC ON/backup RAM ON)



### Additional current consumption

The MCU is placed under the following conditions:

- All I/O pins are configured in analog mode.
- The Flash memory access time is adjusted to  $f_{HCLK}$  frequency.
- The voltage scaling is adjusted to  $f_{HCLK}$  frequency as follows:
  - Scale 3 for  $f_{HCLK} \leq 120$  MHz,
  - Scale 2 for  $120 \text{ MHz} < f_{HCLK} \leq 144$  MHz
  - Scale 1 for  $144 \text{ MHz} < f_{HCLK} \leq 180$  MHz. The over-drive is only ON at 180 MHz.
- The system clock is HCLK,  $f_{PCLK1} = f_{HCLK}/4$ , and  $f_{PCLK2} = f_{HCLK}/2$ .
- HSE crystal clock frequency is 25 MHz.
- When the regulator is OFF, V12 is provided externally as described in [Table 17: General operating conditions](#)
- $T_A = 25^\circ\text{C}$ .

**Table 30. Typical current consumption in Run mode, code with data processing running from Flash memory or RAM, regulator ON (ART accelerator enabled except prefetch),  $V_{DD}=1.7\text{ V}^{(1)}$**

| Symbol   | Parameter                                       | Conditions              | $f_{HCLK}$ (MHz) | Typ  | Unit |
|----------|---|-------------------------|------------------|------|------|
| $I_{DD}$ | Supply current in RUN mode from $V_{DD}$ supply | All Peripheral enabled  | 168              | 88.2 | mA   |
|          |   |                         | 150              | 74.3 |      |
|          |   |                         | 144              | 71.3 |      |
|          |   |                         | 120              | 52.9 |      |
|          |   |                         | 90               | 42.6 |      |
|          |   |                         | 60               | 28.6 |      |
|          |   |                         | 30               | 15.7 |      |
|          |   | All Peripheral disabled | 25               | 12.3 |      |
|          |   |                         | 168              | 40.6 |      |
|          |   |                         | 150              | 30.6 |      |
|          |   |                         | 144              | 32.6 |      |
|          |   |                         | 120              | 24.7 |      |
|          |   |                         | 90               | 19.7 |      |
|          |   |                         | 60               | 13.6 |      |
| 30       | 7.7   |                         |                  |      |      |
| 25       | 6.7   |                         |                  |      |      |

1. When peripherals are enabled, the power consumption corresponding to the analog part of the peripherals (such as ADC, or DAC) is not included.

**Table 31. Typical current consumption in Run mode, code with data processing running from Flash memory, regulator OFF (ART accelerator enabled except prefetch)<sup>(1)</sup>**

| Symbol                              | Parameter  | Conditions               | f <sub>HCLK</sub><br>(MHz) | VDD=3.3 V         |                 | VDD=1.7 V         |                 | Unit |
|-------------------------------------|--|--------------------------|----------------------------|-------------------|-----------------|-------------------|-----------------|------|
|                                     |  |                          |                            | I <sub>DD12</sub> | I <sub>DD</sub> | I <sub>DD12</sub> | I <sub>DD</sub> |      |
| I <sub>DD12</sub> / I <sub>DD</sub> | Supply current in RUN mode from V <sub>12</sub> and V <sub>DD</sub> supply | All Peripherals enabled  | 168                        | 77.8              | 1.3             | 76.8              | 1.0             | mA   |
|                                     |  |                          | 150                        | 70.8              | 1.3             | 69.8              | 1.0             |      |
|                                     |  |                          | 144                        | 64.5              | 1.3             | 63.6              | 1.0             |      |
|                                     |  |                          | 120                        | 49.9              | 1.2             | 49.3              | 0.9             |      |
|                                     |  |                          | 90                         | 39.2              | 1.3             | 38.7              | 1.0             |      |
|                                     |  |                          | 60                         | 27.2              | 1.2             | 26.8              | 0.9             |      |
|                                     |  |                          | 30                         | 15.6              | 1.2             | 15.4              | 0.9             |      |
|                                     |  |                          | 25                         | 13.6              | 1.2             | 13.5              | 0.9             |      |
|                                     |  | All Peripherals disabled | 168                        | 38.2              | 1.3             | 37.0              | 1.0             |      |
|                                     |  |                          | 150                        | 34.6              | 1.3             | 33.4              | 1.0             |      |
|                                     |  |                          | 144                        | 31.3              | 1.3             | 30.3              | 1.0             |      |
|                                     |  |                          | 120                        | 24.0              | 1.2             | 23.2              | 0.9             |      |
|                                     |  |                          | 90                         | 18.1              | 1.4             | 18.0              | 1.0             |      |
|                                     |  |                          | 60                         | 12.9              | 1.2             | 12.5              | 0.9             |      |
|                                     |  |                          | 30                         | 7.2               | 1.2             | 6.9               | 0.9             |      |
|                                     |  |                          | 25                         | 6.3               | 1.2             | 6.1               | 0.9             |      |

1. When peripherals are enabled, the power consumption corresponding to the analog part of the peripherals (such as ADC, or DAC) is not included.

**Table 32. Typical current consumption in Sleep mode, regulator ON, V<sub>DD</sub>=1.7 V<sup>(1)</sup>**

| Symbol          | Parameter  | Conditions               | f <sub>HCLK</sub> (MHz) | Typ  | Unit |
|-----------------|--|--------------------------|-------------------------|------|------|
| I <sub>DD</sub> | Supply current in Sleep mode from V <sub>DD</sub> supply | All Peripherals enabled  | 168                     | 65.5 | mA   |
|                 |  |                          | 150                     | 55.5 |      |
|                 |  |                          | 144                     | 53.5 |      |
|                 |  |                          | 120                     | 39.0 |      |
|                 |  |                          | 90                      | 31.6 |      |
|                 |  |                          | 60                      | 21.7 |      |
|                 |  |                          | 30                      | 9.8  |      |
|                 |  |                          | 25                      | 8.8  |      |
|                 |  | All Peripherals disabled | 168                     | 15.7 |      |
|                 |  |                          | 150                     | 13.7 |      |
|                 |  |                          | 144                     | 12.7 |      |
|                 |  |                          | 120                     | 9.7  |      |
|                 |  |                          | 90                      | 7.7  |      |
|                 |  |                          | 60                      | 5.7  |      |
|                 |  |                          | 30                      | 4.7  |      |
|                 |  |                          | 25                      | 2.8  |      |

1. When peripherals are enabled, the power consumption corresponding to the analog part of the peripherals (such as ADC, or DAC) is not included.

Table 33. Typical current consumption in Sleep mode, regulator OFF<sup>(1)</sup>

| Symbol                             | Parameter  | Conditions               | f <sub>HCLK</sub> (MHz) | VDD=3.3 V         |                 | VDD=1.7 V         |                 | Unit |
|------------------------------------|--|--------------------------|-------------------------|-------------------|-----------------|-------------------|-----------------|------|
|                                    |  |                          |                         | I <sub>DD12</sub> | I <sub>DD</sub> | I <sub>DD12</sub> | I <sub>DD</sub> |      |
| I <sub>DD12</sub> /I <sub>DD</sub> | Supply current in Sleep mode from V <sub>12</sub> and V <sub>DD</sub> supply | All Peripherals enabled  | 180                     | 61.5              | 1.4             | -                 | -               | mA   |
|                                    |  |                          | 168                     | 59.4              | 1.3             | 59.4              | 1.0             |      |
|                                    |  |                          | 150                     | 53.9              | 1.3             | 53.9              | 1.0             |      |
|                                    |  |                          | 144                     | 49.0              | 1.3             | 49.0              | 1.0             |      |
|                                    |  |                          | 120                     | 38.0              | 1.2             | 38.0              | 0.9             |      |
|                                    |  |                          | 90                      | 29.3              | 1.4             | 29.3              | 1.1             |      |
|                                    |  |                          | 60                      | 20.2              | 1.2             | 20.2              | 0.9             |      |
|                                    |  |                          | 30                      | 11.9              | 1.2             | 11.9              | 0.9             |      |
|                                    |  | 25                       | 10.4                    | 1.2               | 10.4            | 0.9               |                 |      |
|                                    |  | All Peripherals disabled | 180                     | 14.9              | 1.4             | -                 | -               |      |
|                                    |  |                          | 168                     | 14.0              | 1.3             | 14.0              | 1.0             |      |
|                                    |  |                          | 150                     | 12.6              | 1.3             | 12.6              | 1.0             |      |
|                                    |  |                          | 144                     | 11.5              | 1.3             | 11.5              | 1.0             |      |
|                                    |  |                          | 120                     | 8.7               | 1.2             | 8.7               | 0.9             |      |
|                                    |  |                          | 90                      | 7.1               | 1.4             | 7.1               | 1.1             |      |
|                                    |  |                          | 60                      | 5.0               | 1.2             | 5.0               | 0.9             |      |
| 30                                 | 3.1  |                          | 1.2                     | 3.1               | 0.9             |                   |                 |      |
| 25                                 | 2.8  | 1.2                      | 2.8                     | 0.9               |                 |                   |                 |      |

1. When peripherals are enabled, the power consumption corresponding to the analog part of the peripherals (such as ADC, or DAC) is not included.

### I/O system current consumption

The current consumption of the I/O system has two components: static and dynamic.

#### I/O static current consumption

All the I/Os used as inputs with pull-up generate current consumption when the pin is externally held low. The value of this current consumption can be simply computed by using the pull-up/pull-down resistors values given in [Table 56: I/O static characteristics](#).

For the output pins, any external pull-down or external load must also be considered to estimate the current consumption.

Additional I/O current consumption is due to I/Os configured as inputs if an intermediate voltage level is externally applied. This current consumption is caused by the input Schmitt trigger circuits used to discriminate the input value. Unless this specific configuration is required by the application, this supply current consumption can be avoided by configuring these I/Os in analog mode. This is notably the case of ADC input pins which should be configured as analog inputs.

**Caution:** Any floating input pin can also settle to an intermediate voltage level or switch inadvertently, as a result of external electromagnetic noise. To avoid current consumption related to floating pins, they must either be configured in analog mode, or forced internally to a definite digital value. This can be done either by using pull-up/down resistors or by configuring the pins in output mode.

I/O dynamic current consumption

In addition to the internal peripheral current consumption (see [Table 35: Peripheral current consumption](#)), the I/Os used by an application also contribute to the current consumption. When an I/O pin switches, it uses the current from the MCU supply voltage to supply the I/O pin circuitry and to charge/discharge the capacitive load (internal or external) connected to the pin:

$$I_{SW} = V_{DD} \times f_{SW} \times C$$

where

$I_{SW}$  is the current sunk by a switching I/O to charge/discharge the capacitive load

$V_{DD}$  is the MCU supply voltage

$f_{SW}$  is the I/O switching frequency

$C$  is the total capacitance seen by the I/O pin:  $C = C_{INT} + C_{EXT}$

The test pin is configured in push-pull output mode and is toggled by software at a fixed frequency.

**Table 34. Switching output I/O current consumption<sup>(1)</sup>**

| Symbol            | Parameter             | Conditions   | I/O toggling frequency (fsw) | Typ  | Unit |
|-------------------|-----------------------|--|------------------------------|------|------|
| I <sub>DDIO</sub> | I/O switching Current | V <sub>DD</sub> = 3.3 V<br>C = C <sub>INT</sub> <sup>(2)</sup>   | 2 MHz                        | 0.0  | mA   |
|                   |                       |  | 8 MHz                        | 0.2  |      |
|                   |                       |  | 25 MHz                       | 0.6  |      |
|                   |                       |  | 50 MHz                       | 1.1  |      |
|                   |                       |  | 60 MHz                       | 1.3  |      |
|                   |                       |  | 84 MHz                       | 1.8  |      |
|                   |                       |  | 90 MHz                       | 1.9  |      |
|                   |                       | V <sub>DD</sub> = 3.3 V<br>C <sub>EXT</sub> = 0 pF<br>C = C <sub>INT</sub> + C <sub>EXT</sub> + C <sub>S</sub> | 2 MHz                        | 0.1  |      |
|                   |                       |  | 8 MHz                        | 0.4  |      |
|                   |                       |  | 25 MHz                       | 1.23 |      |
|                   |                       |  | 50 MHz                       | 2.43 |      |
|                   |                       |  | 60 MHz                       | 2.93 |      |
|                   |                       |  | 84 MHz                       | 3.86 |      |
|                   |                       |  | 90 MHz                       | 4.07 |      |

**Table 34. Switching output I/O current consumption<sup>(1)</sup> (continued)**

| Symbol            | Parameter             | Conditions   | I/O toggling frequency (fsw) | Typ   | Unit |
|-------------------|-----------------------|--|------------------------------|-------|------|
| I <sub>DDIO</sub> | I/O switching Current | $V_{DD} = 3.3\text{ V}$<br>$C_{EXT} = 10\text{ pF}$<br>$C = C_{INT} + C_{EXT} + C_S$ | 2 MHz                        | 0.18  | mA   |
|                   |                       |  | 8 MHz                        | 0.67  |      |
|                   |                       |  | 25 MHz                       | 2.09  |      |
|                   |                       |  | 50 MHz                       | 3.6   |      |
|                   |                       |  | 60 MHz                       | 4.5   |      |
|                   |                       |  | 84 MHz                       | 7.8   |      |
|                   |                       |  | 90 MHz                       | 9.8   |      |
|                   |                       | $V_{DD} = 3.3\text{ V}$<br>$C_{EXT} = 22\text{ pF}$<br>$C = C_{INT} + C_{EXT} + C_S$ | 2 MHz                        | 0.26  |      |
|                   |                       |  | 8 MHz                        | 1.01  |      |
|                   |                       |  | 25 MHz                       | 3.14  |      |
|                   |                       |  | 50 MHz                       | 6.39  |      |
|                   |                       | $V_{DD} = 3.3\text{ V}$<br>$C_{EXT} = 33\text{ pF}$<br>$C = C_{INT} + C_{EXT} + C_S$ | 60 MHz                       | 10.68 |      |
|                   |                       |  | 2 MHz                        | 0.33  |      |
|                   |                       |  | 8 MHz                        | 1.29  |      |
|                   |                       |  | 25 MHz                       | 4.23  |      |
|                   |                       |  | 50 MHz                       | 11.02 |      |

1. C<sub>S</sub> is the PCB board capacitance including the pad pin. C<sub>S</sub> = 7 pF (estimated value).
2. This test is performed by cutting the LQFP176 package pin (pad removal).

**On-chip peripheral current consumption**

The MCU is placed under the following conditions:

- At startup, all I/O pins are in analog input configuration.
- All peripherals are disabled unless otherwise mentioned.
- I/O compensation cell enabled.
- The ART accelerator is ON.
- Scale 1 mode selected, internal digital voltage V12 = 1.32 V.
- HCLK is the system clock. f<sub>PCLK1</sub> = f<sub>HCLK</sub>/4, and f<sub>PCLK2</sub> = f<sub>HCLK</sub>/2.  
 The given value is calculated by measuring the difference of current consumption
  - with all peripherals clocked off
  - with only one peripheral clocked on
  - f<sub>HCLK</sub> = 180 MHz (Scale1 + over-drive ON), f<sub>HCLK</sub> = 144 MHz (Scale 2), f<sub>HCLK</sub> = 120 MHz (Scale 3)"
- Ambient operating temperature is 25 °C and V<sub>DD</sub>=3.3 V.

Table 35. Peripheral current consumption

| Peripheral   |             | I <sub>DD</sub> ( Typ) <sup>(1)</sup> |         |         | Unit   |
|--|-------------|---------------------------------------|---------|---------|--------|
|  |             | Scale 1                               | Scale 2 | Scale 3 |        |
| AHB1<br>(up to<br>180 MHz)                         | GPIOA       | 2.50                                  | 2.36    | 2.08    | μA/MHz |
|  | GPIOB       | 2.56                                  | 2.36    | 2.08    |        |
|  | GPIOC       | 2.44                                  | 2.29    | 2.00    |        |
|  | GPIOD       | 2.50                                  | 2.36    | 2.08    |        |
|  | GPIOE       | 2.44                                  | 2.29    | 2.00    |        |
|  | GPIOF       | 2.44                                  | 2.29    | 2.00    |        |
|  | GPIOG       | 2.39                                  | 2.22    | 2.00    |        |
|  | GPIOH       | 2.33                                  | 2.15    | 1.92    |        |
|  | GPIOI       | 2.39                                  | 2.22    | 2.00    |        |
|  | GPIOJ       | 2.33                                  | 2.15    | 1.92    |        |
|  | GPIOK       | 2.33                                  | 2.15    | 1.92    |        |
|  | OTG_HS+ULPI | 27.00                                 | 24.86   | 21.92   |        |
|  | CRC         | 0.44                                  | 0.42    | 0.33    |        |
|  | BKPSRAM     | 0.78                                  | 0.69    | 0.58    |        |
|  | DMA1        | 25.33                                 | 23.26   | 20.50   |        |
|  | DMA2        | 24.72                                 | 22.71   | 20.00   |        |
| DMA2D  | 28.50       | 26.32                                 | 23.33   |         |        |
| ETH_MAC<br>ETH_MAC_TX<br>ETH_MAC_RX<br>ETH_MAC_PTP | 21.56       | 20.07                                 | 17.75   |         |        |
| AHB2<br>(up to<br>180 MHz)                         | OTG_FS      | 25.67                                 | 26.67   | 23.58   | μA/MHz |
|  | DCMI        | 3.72                                  | 3.40    | 3.00    |        |
|  | RNG         | 2.28                                  | 2.36    | 2.17    |        |
| AHB3<br>(up to<br>180 MHz)                         | FMC         | 21.39                                 | 19.79   | 17.50   | μA/MHz |
| Bus matrix <sup>(2)</sup>                          |             | 14.06                                 | 13.19   | 11.75   | μA/MHz |

Table 35. Peripheral current consumption (continued)

| Peripheral                |                     | I <sub>DD</sub> ( Typ) <sup>(1)</sup> |         |         | Unit   |
|---------------------------|---------------------|---------------------------------------|---------|---------|--------|
|                           |                     | Scale 1                               | Scale 2 | Scale 3 |        |
| APB1<br>(up to<br>45 MHz) | TIM2                | 17.56                                 | 16.42   | 14.47   | μA/MHz |
|                           | TIM3                | 14.22                                 | 13.36   | 11.80   |        |
|                           | TIM4                | 14.89                                 | 13.64   | 12.13   |        |
|                           | TIM5                | 17.33                                 | 16.42   | 14.47   |        |
|                           | TIM6                | 2.89                                  | 2.53    | 2.47    |        |
|                           | TIM7                | 3.11                                  | 2.81    | 2.47    |        |
|                           | TIM12               | 7.33                                  | 6.97    | 6.13    |        |
|                           | TIM13               | 4.89                                  | 4.47    | 4.13    |        |
|                           | TIM14               | 5.56                                  | 5.31    | 4.80    |        |
|                           | PWR                 | 11.11                                 | 10.31   | 9.13    |        |
|                           | USART2              | 4.22                                  | 3.92    | 3.47    |        |
|                           | USART3              | 4.44                                  | 4.19    | 3.80    |        |
|                           | UART4               | 4.00                                  | 3.92    | 3.47    |        |
|                           | UART5               | 4.00                                  | 3.92    | 3.47    |        |
|                           | UART7               | 4.00                                  | 3.92    | 3.47    |        |
|                           | UART8               | 3.78                                  | 3.92    | 3.47    |        |
|                           | I2C1                | 4.00                                  | 3.92    | 3.47    |        |
|                           | I2C2                | 4.00                                  | 3.92    | 3.47    |        |
|                           | I2C3                | 4.00                                  | 3.92    | 3.47    |        |
|                           | SPI2 <sup>(3)</sup> | 3.11                                  | 3.08    | 2.80    |        |
|                           | SPI3 <sup>(3)</sup> | 3.56                                  | 3.36    | 3.13    |        |
|                           | I2S2                | 2.89                                  | 2.81    | 2.47    |        |
|                           | I2S3                | 3.33                                  | 3.08    | 2.80    |        |
|                           | CAN1                | 6.89                                  | 6.42    | 5.80    |        |
| CAN2                      | 6.67                | 6.14                                  | 5.47    |         |        |
| DAC <sup>(4)</sup>        | 2.89                | 2.25                                  | 2.13    |         |        |
| WWDG                      | 0.89                | 0.86                                  | 0.80    |         |        |

**Table 35. Peripheral current consumption (continued)**

| Peripheral                |                     | I <sub>DD</sub> ( Typ) <sup>(1)</sup> |         |         | Unit   |
|---------------------------|---------------------|---------------------------------------|---------|---------|--------|
|                           |                     | Scale 1                               | Scale 2 | Scale 3 |        |
| APB2<br>(up to<br>90 MHz) | SDIO                | 8.11                                  | 8.75    | 7.83    | μA/MHz |
|                           | TIM1                | 17.11                                 | 15.97   | 14.17   |        |
|                           | TIM8                | 17.33                                 | 16.11   | 14.33   |        |
|                           | TIM9                | 7.22                                  | 6.67    | 6.00    |        |
|                           | TIM10               | 4.56                                  | 4.31    | 3.83    |        |
|                           | TIM11               | 4.78                                  | 4.44    | 4.00    |        |
|                           | ADC1 <sup>(5)</sup> | 4.67                                  | 4.31    | 3.83    |        |
|                           | ADC2 <sup>(5)</sup> | 4.78                                  | 4.44    | 4.00    |        |
|                           | ADC3 <sup>(5)</sup> | 4.56                                  | 4.17    | 3.67    |        |
|                           | SPI1                | 1.44                                  | 1.39    | 1.17    |        |
|                           | USART1              | 4.00                                  | 3.75    | 3.33    |        |
|                           | USART6              | 4.00                                  | 3.75    | 3.33    |        |
|                           | SPI4                | 1.44                                  | 1.39    | 1.17    |        |
|                           | SPI5                | 1.44                                  | 1.39    | 1.17    |        |
|                           | SPI6                | 1.44                                  | 1.39    | 1.17    |        |
|                           | SYSCFG              | 0.78                                  | 0.69    | 0.67    |        |
|                           | LCD_TFT             | 39.89                                 | 37.22   | 33.17   |        |
| SAI1                      | 3.78                | 3.47                                  | 3.17    |         |        |

1. When the I/O compensation cell is ON, I<sub>DD</sub> typical value increases by 0.22 mA.
2. The BusMatrix is automatically active when at least one master is ON.
3. To enable an I2S peripheral, first set the I2SMOD bit and then the I2SE bit in the SPI\_I2SCFGR register.
4. When the DAC is ON and EN1/2 bits are set in DAC\_CR register, add an additional power consumption of 0.8 mA per DAC channel for the analog part.
5. When the ADC is ON (ADON bit set in the ADC\_CR2 register), add an additional power consumption of 1.6 mA per ADC for the analog part.

### 6.3.8 Wakeup time from low-power modes

The wakeup times given in [Table 36](#) are measured starting from the wakeup event trigger up to the first instruction executed by the CPU:

- For Stop or Sleep modes: the wakeup event is WFE.
- WKUP (PA0) pin is used to wakeup from Standby, Stop and Sleep modes.

All timings are derived from tests performed under ambient temperature and V<sub>DD</sub>=3.3 V.

**Table 36. Low-power mode wakeup timings**

| Symbol                 | Parameter  | Conditions   | Typ <sup>(1)</sup> | Max <sup>(1)</sup> | Unit            |
|------------------------|--|--|--------------------|--------------------|-----------------|
| $t_{WUSLEEP}^{(2)}$    | Wakeup from Sleep  | -  | 6                  | -                  | CPU clock cycle |
| $t_{WUSTOP}^{(2)}$     | Wakeup from Stop mode with MR/LP regulator in normal mode      | Main regulator is ON   | 13.6               | -                  | $\mu\text{s}$   |
|                        |  | Main regulator is ON and Flash memory in Deep power down mode                  | 93                 | 111                |                 |
|                        |  | Low power regulator is ON  | 22                 | 32                 |                 |
|                        |  | Low power regulator is ON and Flash memory in Deep power down mode             | 103                | 126                |                 |
| $t_{WUSTOP}^{(2)}$     | Wakeup from Stop mode with MR/LP regulator in Under-drive mode | Main regulator in under-drive mode (Flash memory in Deep power-down mode)      | 125                | 155                |                 |
|                        |  | Low power regulator in under-drive mode (Flash memory in Deep power-down mode) | 105                | 128                |                 |
| $t_{WUSTDBY}^{(2)(3)}$ | Wakeup from Standby mode                                       |  | 318                | 412                |                 |

1. Based on characterization, not tested in production.
2. The wakeup times are measured from the wakeup event to the point in which the application code reads the first
3.  $t_{WUSTDBY}$  maximum value is given at  $-40\text{ }^{\circ}\text{C}$ .

### 6.3.9 External clock source characteristics

#### High-speed external user clock generated from an external source

In bypass mode the HSE oscillator is switched off and the input pin is a standard I/O. The external clock signal has to respect the [Table 56: I/O static characteristics](#). However, the recommended clock input waveform is shown in [Figure 27](#).

The characteristics given in [Table 37](#) result from tests performed using an high-speed external clock source, and under ambient temperature and supply voltage conditions summarized in [Table 17](#).

Table 37. High-speed external user clock characteristics

| Symbol                       | Parameter   | Conditions                       | Min         | Typ | Max         | Unit    |
|------------------------------|---|----------------------------------|-------------|-----|-------------|---------|
| $f_{HSE\_ext}$               | External user clock source frequency <sup>(1)</sup> |                                  | 1           | -   | 50          | MHz     |
| $V_{HSEH}$                   | OSC_IN input pin high level voltage                 |                                  | $0.7V_{DD}$ | -   | $V_{DD}$    | V       |
| $V_{HSEL}$                   | OSC_IN input pin low level voltage                  |                                  | $V_{SS}$    | -   | $0.3V_{DD}$ |         |
| $t_{w(HSE)}$<br>$t_{f(HSE)}$ | OSC_IN high or low time <sup>(1)</sup>              |                                  | 5           | -   | -           | ns      |
| $t_{r(HSE)}$<br>$t_{f(HSE)}$ | OSC_IN rise or fall time <sup>(1)</sup>             |                                  | -           | -   | 10          |         |
| $C_{in(HSE)}$                | OSC_IN input capacitance <sup>(1)</sup>             |                                  | -           | 5   | -           | pF      |
| $DuCy_{(HSE)}$               | Duty cycle  |                                  | 45          | -   | 55          | %       |
| $I_L$                        | OSC_IN Input leakage current                        | $V_{SS} \leq V_{IN} \leq V_{DD}$ | -           | -   | $\pm 1$     | $\mu A$ |

1. Guaranteed by design, not tested in production.

### Low-speed external user clock generated from an external source

In bypass mode the LSE oscillator is switched off and the input pin is a standard I/O. The external clock signal has to respect the [Table 56: I/O static characteristics](#). However, the recommended clock input waveform is shown in [Figure 28](#).

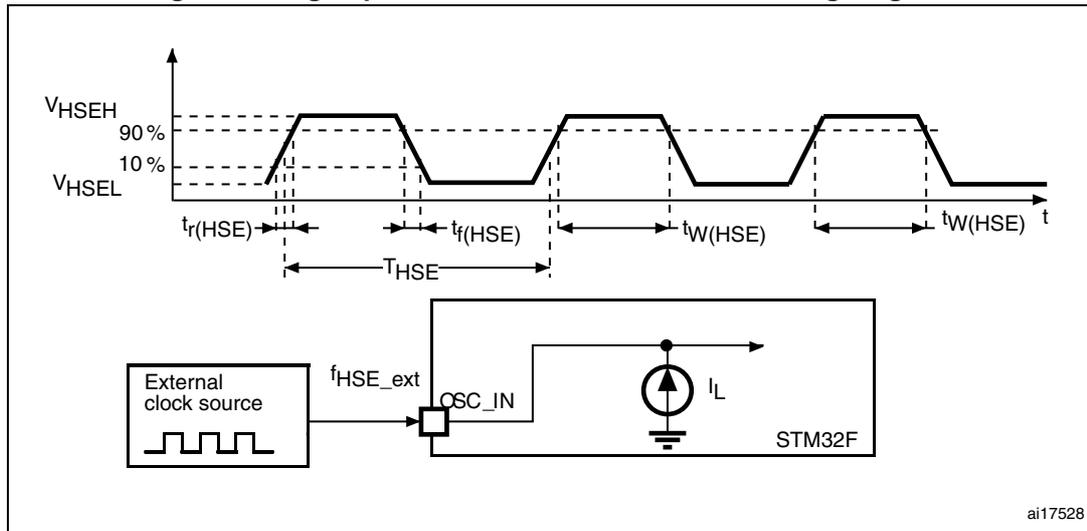
The characteristics given in [Table 38](#) result from tests performed using an low-speed external clock source, and under ambient temperature and supply voltage conditions summarized in [Table 17](#).

Table 38. Low-speed external user clock characteristics

| Symbol                       | Parameter   | Conditions                       | Min         | Typ    | Max         | Unit    |
|------------------------------|---|----------------------------------|-------------|--------|-------------|---------|
| $f_{LSE\_ext}$               | User External clock source frequency <sup>(1)</sup> |                                  | -           | 32.768 | 1000        | kHz     |
| $V_{LSEH}$                   | OSC32_IN input pin high level voltage               |                                  | $0.7V_{DD}$ | -      | $V_{DD}$    | V       |
| $V_{LSEL}$                   | OSC32_IN input pin low level voltage                |                                  | $V_{SS}$    | -      | $0.3V_{DD}$ |         |
| $t_{w(LSE)}$<br>$t_{f(LSE)}$ | OSC32_IN high or low time <sup>(1)</sup>            |                                  | 450         | -      | -           | ns      |
| $t_{r(LSE)}$<br>$t_{f(LSE)}$ | OSC32_IN rise or fall time <sup>(1)</sup>           |                                  | -           | -      | 50          |         |
| $C_{in(LSE)}$                | OSC32_IN input capacitance <sup>(1)</sup>           |                                  | -           | 5      | -           | pF      |
| $DuCy_{(LSE)}$               | Duty cycle  |                                  | 30          | -      | 70          | %       |
| $I_L$                        | OSC32_IN Input leakage current                      | $V_{SS} \leq V_{IN} \leq V_{DD}$ | -           | -      | $\pm 1$     | $\mu A$ |

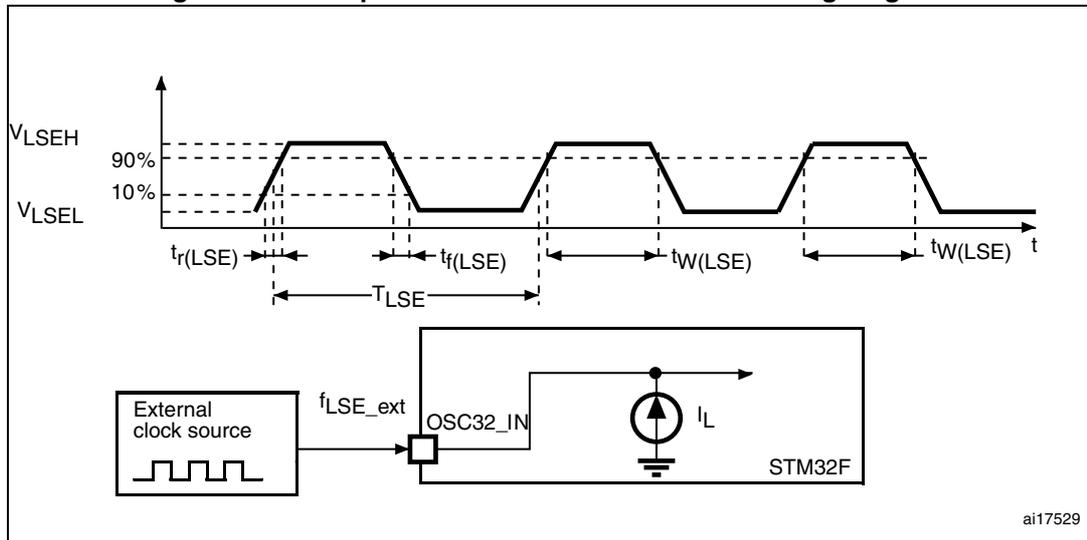
1. Guaranteed by design, not tested in production.

Figure 27. High-speed external clock source AC timing diagram



ai17528

Figure 28. Low-speed external clock source AC timing diagram



ai17529

### High-speed external clock generated from a crystal/ceramic resonator

The high-speed external (HSE) clock can be supplied with a 4 to 26 MHz crystal/ceramic resonator oscillator. All the information given in this paragraph are based on characterization results obtained with typical external components specified in [Table 39](#). In the application, the resonator and the load capacitors have to be placed as close as possible to the oscillator pins in order to minimize output distortion and startup stabilization time. Refer to the crystal resonator manufacturer for more details on the resonator characteristics (frequency, package, accuracy).

**Table 39. HSE 4-26 MHz oscillator characteristics (1)**

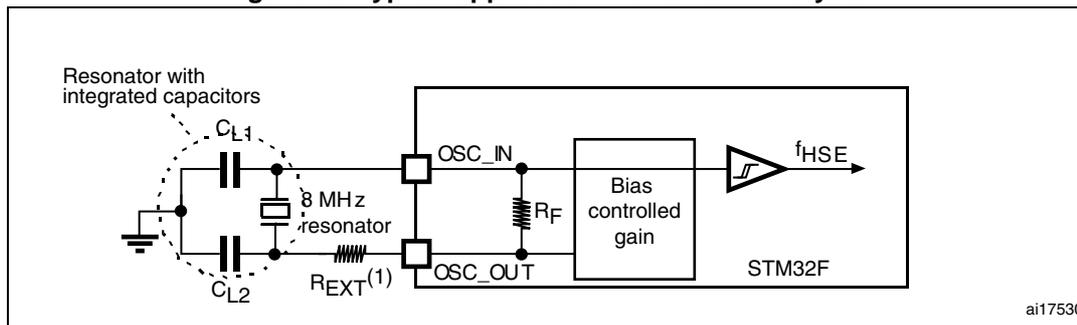
| Symbol              | Parameter                      | Conditions  | Min  | Typ | Max | Unit          |
|---------------------|--------------------------------|---|------|-----|-----|---------------|
| $f_{OSC\_IN}$       | Oscillator frequency           |   | 4    | -   | 26  | MHz           |
| $R_F$               | Feedback resistor              |   | -    | 200 | -   | k $\Omega$    |
| $I_{DD}$            | HSE current consumption        | $V_{DD}=3.3\text{ V}$ ,<br>ESR= 30 $\Omega$ ,<br>$C_L=5\text{ pF}@25\text{ MHz}$  | -    | 450 | -   | $\mu\text{A}$ |
|                     |                                | $V_{DD}=3.3\text{ V}$ ,<br>ESR= 30 $\Omega$ ,<br>$C_L=10\text{ pF}@25\text{ MHz}$ | -    | 530 | -   |               |
| $ACC_{HSE}^{(2)}$   | HSE accuracy                   |   | -500 | -   | 500 | ppm           |
| $G_{m\_crit\_max}$  | Maximum critical crystal $g_m$ | Startup   | -    | -   | 1   | mA/V          |
| $t_{SU(HSE)}^{(3)}$ | Startup time                   | $V_{DD}$ is stabilized  | -    | 2   | -   | ms            |

1. Guaranteed by design, not tested in production.
2. This parameter depends on the crystal used in the application. The minimum and maximum values must be respected to comply with USB standard specifications.
3.  $t_{SU(HSE)}$  is the startup time measured from the moment it is enabled (by software) to a stabilized 8 MHz oscillation is reached. This value is based on characterization and not tested in production. It is measured for a standard crystal resonator and it can vary significantly with the crystal manufacturer.

For  $C_{L1}$  and  $C_{L2}$ , it is recommended to use high-quality external ceramic capacitors in the 5 pF to 25 pF range (typ.), designed for high-frequency applications, and selected to match the requirements of the crystal or resonator (see [Figure 29](#)).  $C_{L1}$  and  $C_{L2}$  are usually the same size. The crystal manufacturer typically specifies a load capacitance which is the series combination of  $C_{L1}$  and  $C_{L2}$ . PCB and MCU pin capacitance must be included (10 pF can be used as a rough estimate of the combined pin and board capacitance) when sizing  $C_{L1}$  and  $C_{L2}$ .

*Note:* For information on selecting the crystal, refer to the application note AN2867 “Oscillator design guide for ST microcontrollers” available from the ST website [www.st.com](http://www.st.com).

**Figure 29. Typical application with an 8 MHz crystal**



1.  $R_{EXT}$  value depends on the crystal characteristics.

**Low-speed external clock generated from a crystal/ceramic resonator**

The low-speed external (LSE) clock can be supplied with a 32.768 kHz crystal/ceramic resonator oscillator. All the information given in this paragraph are based on characterization results obtained with typical external components specified in [Table 40](#). In the application, the resonator and the load capacitors have to be placed as close as

possible to the oscillator pins in order to minimize output distortion and startup stabilization time. Refer to the crystal resonator manufacturer for more details on the resonator characteristics (frequency, package, accuracy).

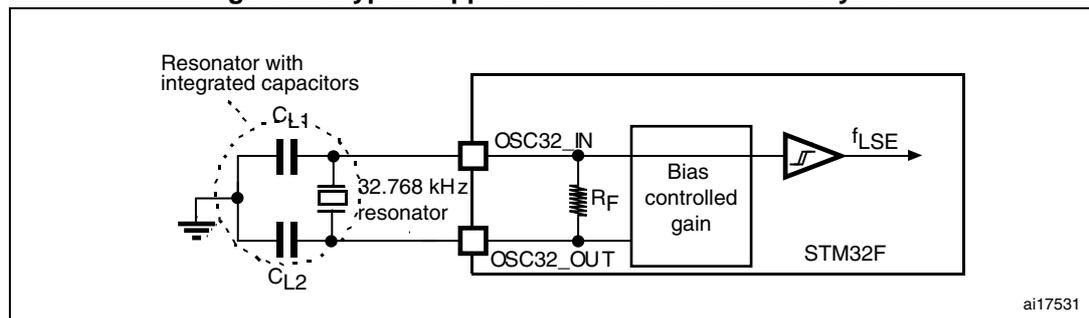
**Table 40. LSE oscillator characteristics ( $f_{LSE} = 32.768 \text{ kHz}$ ) <sup>(1)</sup>**

| Symbol              | Parameter                      | Conditions             | Min  | Typ  | Max  | Unit            |
|---------------------|--------------------------------|------------------------|------|------|------|-----------------|
| $R_F$               | Feedback resistor              |                        | -    | 18.4 | -    | M $\Omega$      |
| $I_{DD}$            | LSE current consumption        |                        | -    | -    | 1    | $\mu\text{A}$   |
| $ACC_{LSE}^{(2)}$   | LSE accuracy                   |                        | -500 | -    | 500  | ppm             |
| $G_{m\_crit\_max}$  | Maximum critical crystal $g_m$ | Startup                | -    | -    | 0.56 | $\mu\text{A/V}$ |
| $t_{SU(LSE)}^{(3)}$ | startup time                   | $V_{DD}$ is stabilized | -    | 2    | -    | s               |

1. Guaranteed by design, not tested in production.
2. This parameter depends on the crystal used in the application. Refer to application note AN2867.
3.  $t_{SU(LSE)}$  is the startup time measured from the moment it is enabled (by software) to a stabilized 32.768 kHz oscillation is reached. This value is based on characterization and not tested in production. It is measured for a standard crystal resonator and it can vary significantly with the crystal manufacturer.

*Note:* For information on selecting the crystal, refer to the application note AN2867 “Oscillator design guide for ST microcontrollers” available from the ST website [www.st.com](http://www.st.com).

**Figure 30. Typical application with a 32.768 kHz crystal**



### 6.3.10 Internal clock source characteristics

The parameters given in [Table 41](#) and [Table 42](#) are derived from tests performed under ambient temperature and  $V_{DD}$  supply voltage conditions summarized in [Table 17](#).

High-speed internal (HSI) RC oscillator

Figure 31. LACC<sub>HSI</sub> versus temperature

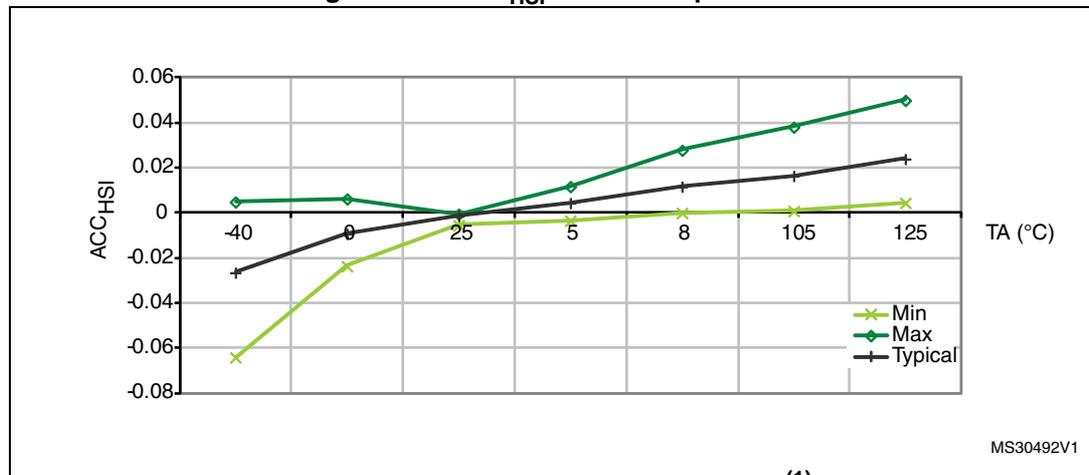


Table 41. HSI oscillator characteristics (1)

| Symbol                              | Parameter                        | Conditions   | Min   | Typ | Max | Unit |   |
|-------------------------------------|----------------------------------|--|---|-----|-----|------|---|
| f <sub>HSI</sub>                    | Frequency                        |  | -   | 16  | -   | MHz  |   |
| ACC <sub>HSI</sub>                  | Accuracy of the HSI oscillator   | User-trimmed with the RCC_CR register <sup>(2)</sup> | -   | -   | 1   | %    |   |
|                                     |                                  | Factory-calibrated                                   | T <sub>A</sub> = -40 to 105 °C <sup>(3)</sup> | -8  | -   | 4.5  | % |
|                                     |                                  |  | T <sub>A</sub> = -10 to 85 °C <sup>(3)</sup>  | -4  | -   | 4    | % |
|                                     |                                  | T <sub>A</sub> = 25 °C                               | -1  | -   | 1   | %    |   |
| t <sub>su(HSI)</sub> <sup>(2)</sup> | HSI oscillator startup time      |  | -   | 2.2 | 4   | µs   |   |
| I <sub>DD(HSI)</sub> <sup>(2)</sup> | HSI oscillator power consumption |  | -   | 60  | 80  | µA   |   |

- V<sub>DD</sub> = 3.3 V, T<sub>A</sub> = -40 to 105 °C unless otherwise specified.
- Guaranteed by design, not tested in production
- Based on characterization, not tested in production.

- Based on characterisation results, not tested in production.

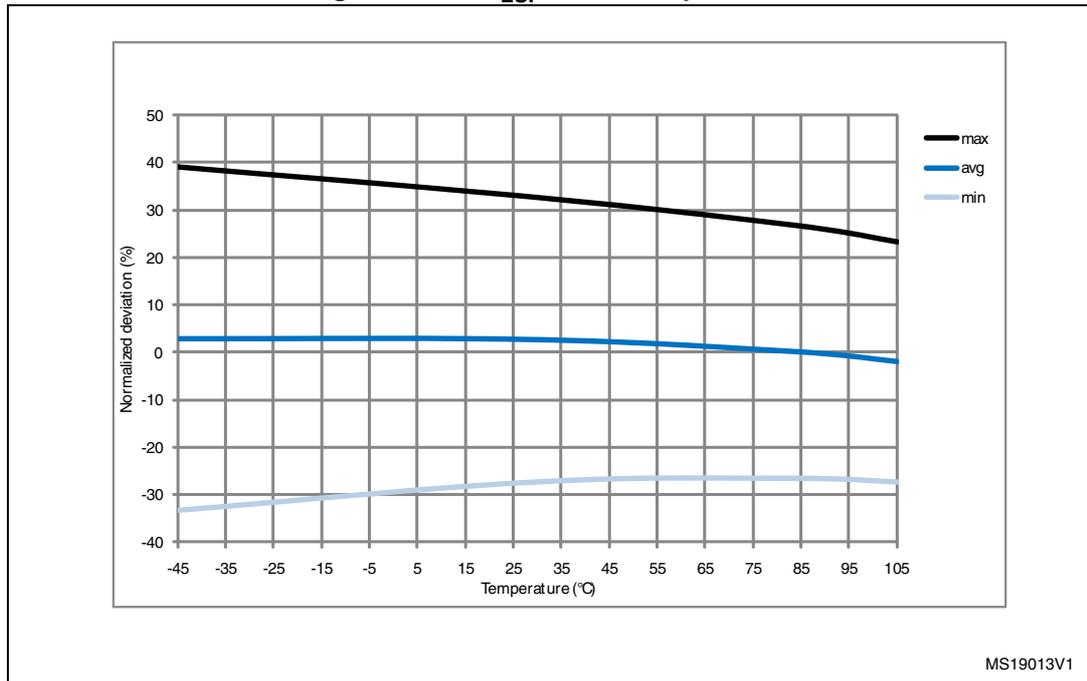
Low-speed internal (LSI) RC oscillator

Table 42. LSI oscillator characteristics (1)

| Symbol                              | Parameter                        | Min | Typ | Max | Unit |
|-------------------------------------|----------------------------------|-----|-----|-----|------|
| f <sub>LSI</sub> <sup>(2)</sup>     | Frequency                        | 17  | 32  | 47  | kHz  |
| t <sub>su(LSI)</sub> <sup>(3)</sup> | LSI oscillator startup time      | -   | 15  | 40  | µs   |
| I <sub>DD(LSI)</sub> <sup>(3)</sup> | LSI oscillator power consumption | -   | 0.4 | 0.6 | µA   |

- V<sub>DD</sub> = 3 V, T<sub>A</sub> = -40 to 105 °C unless otherwise specified.
- Based on characterization, not tested in production.
- Guaranteed by design, not tested in production.

Figure 32. ACC<sub>LSI</sub> versus temperature



### 6.3.11 PLL characteristics

The parameters given in [Table 43](#) and [Table 44](#) are derived from tests performed under temperature and V<sub>DD</sub> supply voltage conditions summarized in [Table 17](#).

Table 43. Main PLL characteristics

| Symbol                 | Parameter                          | Conditions         | Min                 | Typ | Max  | Unit |
|------------------------|------------------------------------|--------------------|---------------------|-----|------|------|
| f <sub>PLL_IN</sub>    | PLL input clock <sup>(1)</sup>     |                    | 0.95 <sup>(2)</sup> | 1   | 2.10 | MHz  |
| f <sub>PLL_OUT</sub>   | PLL multiplier output clock        |                    | 24                  | -   | 180  | MHz  |
| f <sub>PLL48_OUT</sub> | 48 MHz PLL multiplier output clock |                    | -                   | 48  | 75   | MHz  |
| f <sub>VCO_OUT</sub>   | PLL VCO output                     |                    | 192                 | -   | 432  | MHz  |
| t <sub>LOCK</sub>      | PLL lock time                      | VCO freq = 192 MHz | 75                  | -   | 200  | μs   |
|                        |                                    | VCO freq = 432 MHz | 100                 | -   | 300  |      |

**Table 43. Main PLL characteristics (continued)**

| Symbol                               | Parameter                                | Conditions                               | Min          | Typ | Max          | Unit |    |
|--------------------------------------|--|--|--------------|-----|--------------|------|----|
| Jitter <sup>(3)</sup>                | Cycle-to-cycle jitter                    | System clock<br>120 MHz                  | RMS          | -   | 25           | -    | ps |
|                                      |  |  | peak to peak | -   | ±150         | -    |    |
|                                      | Period Jitter                            |  | RMS          | -   | 15           | -    |    |
|                                      |  |  | peak to peak | -   | ±200         | -    |    |
|                                      | Main clock output (MCO) for RMI Ethernet | Cycle to cycle at 50 MHz on 1000 samples | -            | 32  | -            |      |    |
|                                      | Main clock output (MCO) for MII Ethernet | Cycle to cycle at 25 MHz on 1000 samples | -            | 40  | -            |      |    |
|                                      | Bit Time CAN jitter                      | Cycle to cycle at 1 MHz on 1000 samples  | -            | 330 | -            |      |    |
| I <sub>DD(PLL)</sub> <sup>(4)</sup>  | PLL power consumption on VDD             | VCO freq = 192 MHz<br>VCO freq = 432 MHz | 0.15<br>0.45 | -   | 0.40<br>0.75 | mA   |    |
| I <sub>DDA(PLL)</sub> <sup>(4)</sup> | PLL power consumption on VDDA            | VCO freq = 192 MHz<br>VCO freq = 432 MHz | 0.30<br>0.55 | -   | 0.40<br>0.85 | mA   |    |

1. Take care of using the appropriate division factor M to obtain the specified PLL input clock values. The M factor is shared between PLL and PLLI2S.
2. Guaranteed by design, not tested in production.
3. The use of 2 PLLs in parallel could degraded the Jitter up to +30%.
4. Based on characterization, not tested in production.

**Table 44. PLLI2S (audio PLL) characteristics**

| Symbol                  | Parameter  | Conditions   | Min                 | Typ | Max  | Unit |    |
|-------------------------|--|--|---------------------|-----|------|------|----|
| f <sub>PLLI2S_IN</sub>  | PLLI2S input clock <sup>(1)</sup>                                    |  | 0.95 <sup>(2)</sup> | 1   | 2.10 | MHz  |    |
| f <sub>PLLI2S_OUT</sub> | PLLI2S multiplier output clock                                       |  | -                   | -   | 216  | MHz  |    |
| f <sub>VCO_OUT</sub>    | PLLI2S VCO output  |  | 192                 | -   | 432  | MHz  |    |
| t <sub>LOCK</sub>       | PLLI2S lock time   | VCO freq = 192 MHz                                       | 75                  | -   | 200  | µs   |    |
|                         |  | VCO freq = 432 MHz                                       | 100                 | -   | 300  |      |    |
| Jitter <sup>(3)</sup>   | Master I2S clock jitter  | Cycle to cycle at 12.288 MHz on 48KHz period, N=432, R=5 | RMS                 | -   | 90   | -    | ps |
|                         |  |  | peak to peak        | -   | ±280 | -    |    |
|                         | Average frequency of 12.288 MHz<br>N = 432, R = 5<br>on 1000 samples | -  | 90                  | -   |      |      |    |
|                         | WS I2S clock jitter  | Cycle to cycle at 48 KHz on 1000 samples                 | -                   | 400 | -    | ps   |    |

**Table 44. PLLI2S (audio PLL) characteristics (continued)**

| Symbol                  | Parameter                             | Conditions                               | Min          | Typ | Max          | Unit |
|-------------------------|---------------------------------------|--|--------------|-----|--------------|------|
| $I_{DD(PLLI2S)}^{(4)}$  | PLLI2S power consumption on $V_{DD}$  | VCO freq = 192 MHz<br>VCO freq = 432 MHz | 0.15<br>0.45 | -   | 0.40<br>0.75 | mA   |
| $I_{DDA(PLLI2S)}^{(4)}$ | PLLI2S power consumption on $V_{DDA}$ | VCO freq = 192 MHz<br>VCO freq = 432 MHz | 0.30<br>0.55 | -   | 0.40<br>0.85 | mA   |

1. Take care of using the appropriate division factor M to have the specified PLL input clock values.
2. Guaranteed by design, not tested in production.
3. Value given with main PLL running.
4. Based on characterization, not tested in production.

**Table 45. PLLISAI (audio and LCD-TFT PLL) characteristics**

| Symbol                  | Parameter                             | Conditions   | Min                 | Typ | Max          | Unit |
|-------------------------|---------------------------------------|--|---------------------|-----|--------------|------|
| $f_{PLLSAI\_IN}$        | PLLSAI input clock <sup>(1)</sup>     |  | 0.95 <sup>(2)</sup> | 1   | 2.10         | MHz  |
| $f_{PLLSAI\_OUT}$       | PLLSAI multiplier output clock        |  | -                   | -   | 216          | MHz  |
| $f_{VCO\_OUT}$          | PLLSAI VCO output                     |  | 192                 | -   | 432          | MHz  |
| $t_{LOCK}$              | PLLSAI lock time                      | VCO freq = 192 MHz   | 75                  | -   | 200          | µs   |
|                         |                                       | VCO freq = 432 MHz   | 100                 | -   | 300          |      |
| Jitter <sup>(3)</sup>   | Main SAI clock jitter                 | Cycle to cycle at 12.288 MHz on 48KHz period, N=432, R=5             | RMS                 | -   | 90           | -    |
|                         |                                       |  | peak to peak        | -   | ±280         | -    |
|                         |                                       | Average frequency of 12.288 MHz<br>N = 432, R = 5<br>on 1000 samples |                     | -   | 90           | -    |
|                         | FS clock jitter                       | Cycle to cycle at 48 KHz on 1000 samples                             | -                   | 400 | -            | ps   |
| $I_{DD(PLLSAI)}^{(4)}$  | PLLSAI power consumption on $V_{DD}$  | VCO freq = 192 MHz<br>VCO freq = 432 MHz                             | 0.15<br>0.45        | -   | 0.40<br>0.75 | mA   |
| $I_{DDA(PLLSAI)}^{(4)}$ | PLLSAI power consumption on $V_{DDA}$ | VCO freq = 192 MHz<br>VCO freq = 432 MHz                             | 0.30<br>0.55        | -   | 0.40<br>0.85 | mA   |

1. Take care of using the appropriate division factor M to have the specified PLL input clock values.
2. Guaranteed by design, not tested in production.
3. Value given with main PLL running.
4. Based on characterization, not tested in production.

### 6.3.12 PLL spread spectrum clock generation (SSCG) characteristics

The spread spectrum clock generation (SSCG) feature allows to reduce electromagnetic interferences (see [Table 52: EMI characteristics](#)). It is available only on the main PLL.

**Table 46. SSCG parameters constraint**

| Symbol            | Parameter             | Min  | Typ | Max <sup>(1)</sup> | Unit |
|-------------------|-----------------------|------|-----|--------------------|------|
| $f_{Mod}$         | Modulation frequency  | -    | -   | 10                 | KHz  |
| md                | Peak modulation depth | 0.25 | -   | 2                  | %    |
| MODEPER * INCSTEP |                       | -    | -   | $2^{15}-1$         | -    |

1. Guaranteed by design, not tested in production.

#### Equation 1

The frequency modulation period (MODEPER) is given by the equation below:

$$\text{MODEPER} = \text{round}[f_{\text{PLL\_IN}} / (4 \times f_{\text{Mod}})]$$

$f_{\text{PLL\_IN}}$  and  $f_{\text{Mod}}$  must be expressed in Hz.

As an example:

If  $f_{\text{PLL\_IN}} = 1 \text{ MHz}$ , and  $f_{\text{MOD}} = 1 \text{ kHz}$ , the modulation depth (MODEPER) is given by equation 1:

$$\text{MODEPER} = \text{round}[10^6 / (4 \times 10^3)] = 250$$

#### Equation 2

Equation 2 allows to calculate the increment step (INCSTEP):

$$\text{INCSTEP} = \text{round}[(2^{15} - 1) \times \text{md} \times \text{PLL}_N / (100 \times 5 \times \text{MODEPER})]$$

$f_{\text{VCO\_OUT}}$  must be expressed in MHz.

With a modulation depth (md) =  $\pm 2 \%$  (4 % peak to peak), and  $\text{PLL}_N = 240$  (in MHz):

$$\text{INCSTEP} = \text{round}[(2^{15} - 1) \times 2 \times 240 / (100 \times 5 \times 250)] = 126 \text{md}(\text{quantitized})\%$$

An amplitude quantization error may be generated because the linear modulation profile is obtained by taking the quantized values (rounded to the nearest integer) of MODPER and INCSTEP. As a result, the achieved modulation depth is quantized. The percentage quantized modulation depth is given by the following formula:

$$\text{md}_{\text{quantized}}\% = (\text{MODEPER} \times \text{INCSTEP} \times 100 \times 5) / ((2^{15} - 1) \times \text{PLL}_N)$$

As a result:

$$\text{md}_{\text{quantized}}\% = (250 \times 126 \times 100 \times 5) / ((2^{15} - 1) \times 240) = 2.002\%(\text{peak})$$

Figure 33 and Figure 34 show the main PLL output clock waveforms in center spread and down spread modes, where:

- F0 is  $f_{PLL\_OUT}$  nominal.
- $T_{mode}$  is the modulation period.
- md is the modulation depth.

Figure 33. PLL output clock waveforms in center spread mode

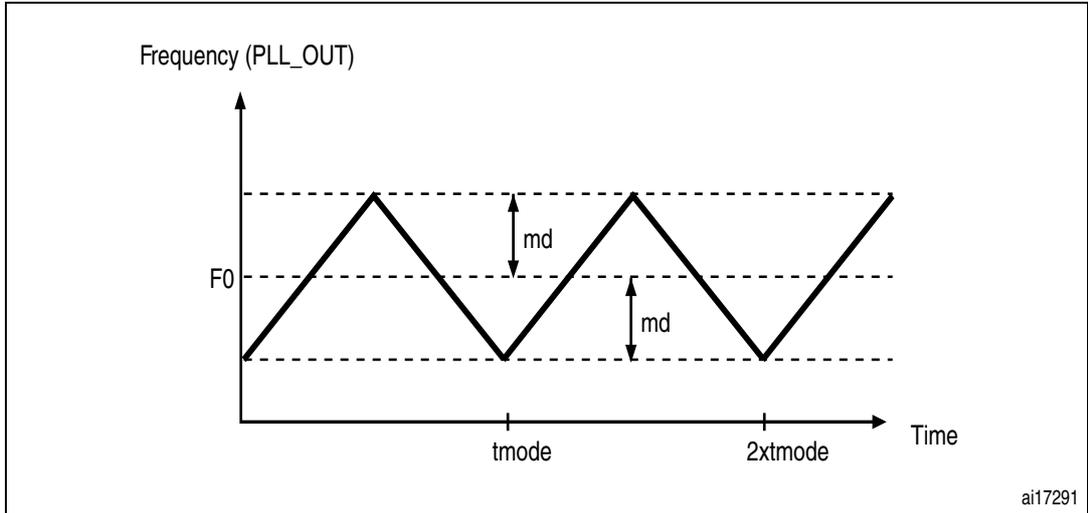
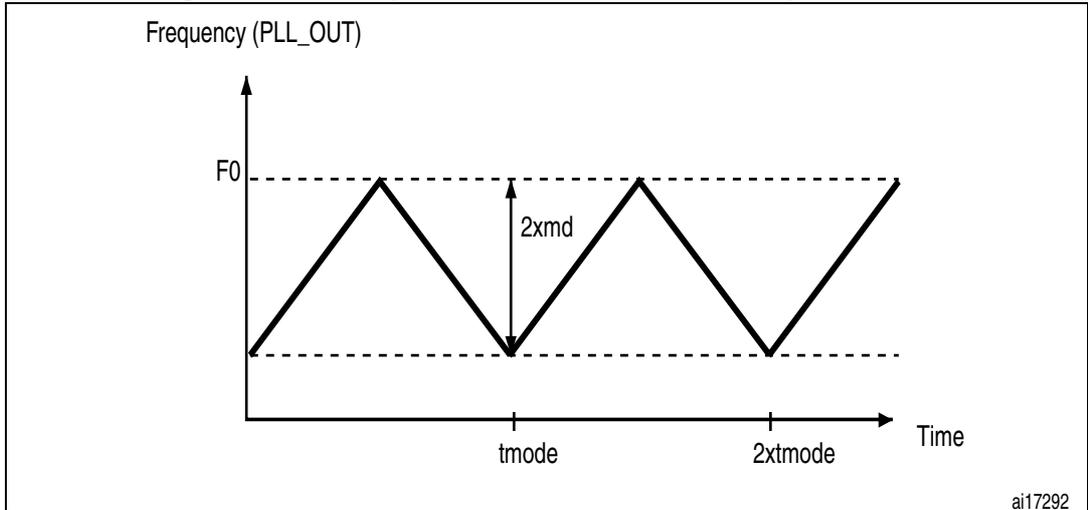


Figure 34. PLL output clock waveforms in down spread mode



### 6.3.13 Memory characteristics

#### Flash memory

The characteristics are given at  $T_A = -40$  to  $105$  °C unless otherwise specified.

The devices are shipped to customers with the Flash memory erased.

**Table 47. Flash memory characteristics**

| Symbol   | Parameter      | Conditions                                  | Min | Typ | Max | Unit |
|----------|----------------|---|-----|-----|-----|------|
| $I_{DD}$ | Supply current | Write / Erase 8-bit mode, $V_{DD} = 1.7$ V  | -   | 5   | -   | mA   |
|          |                | Write / Erase 16-bit mode, $V_{DD} = 2.1$ V | -   | 8   | -   |      |
|          |                | Write / Erase 32-bit mode, $V_{DD} = 3.3$ V | -   | 12  | -   |      |

**Table 48. Flash memory programming**

| Symbol           | Parameter                  | Conditions                                    | Min <sup>(1)</sup> | Typ  | Max <sup>(1)</sup> | Unit    |
|------------------|----------------------------|---|--------------------|------|--------------------|---------|
| $t_{prog}$       | Word programming time      | Program/erase parallelism (PSIZE) = x 8/16/32 | -                  | 16   | 100 <sup>(2)</sup> | $\mu$ s |
| $t_{ERASE16KB}$  | Sector (16 KB) erase time  | Program/erase parallelism (PSIZE) = x 8       | -                  | 400  | 800                | ms      |
|                  |                            | Program/erase parallelism (PSIZE) = x 16      | -                  | 300  | 600                |         |
|                  |                            | Program/erase parallelism (PSIZE) = x 32      | -                  | 250  | 500                |         |
| $t_{ERASE64KB}$  | Sector (64 KB) erase time  | Program/erase parallelism (PSIZE) = x 8       | -                  | 1200 | 2400               | ms      |
|                  |                            | Program/erase parallelism (PSIZE) = x 16      | -                  | 700  | 1400               |         |
|                  |                            | Program/erase parallelism (PSIZE) = x 32      | -                  | 550  | 1100               |         |
| $t_{ERASE128KB}$ | Sector (128 KB) erase time | Program/erase parallelism (PSIZE) = x 8       | -                  | 2    | 4                  | s       |
|                  |                            | Program/erase parallelism (PSIZE) = x 16      | -                  | 1.3  | 2.6                |         |
|                  |                            | Program/erase parallelism (PSIZE) = x 32      | -                  | 1    | 2                  |         |
| $t_{ME}$         | Mass erase time            | Program/erase parallelism (PSIZE) = x 8       | -                  | 16   | 32                 | s       |
|                  |                            | Program/erase parallelism (PSIZE) = x 16      | -                  | 11   | 22                 |         |
|                  |                            | Program/erase parallelism (PSIZE) = x 32      | -                  | 8    | 16                 |         |

**Table 48. Flash memory programming (continued)**

| Symbol            | Parameter           | Conditions                               | Min <sup>(1)</sup> | Typ | Max <sup>(1)</sup> | Unit |
|-------------------|---------------------|--|--------------------|-----|--------------------|------|
| t <sub>BE</sub>   | Bank erase time     | Program/erase parallelism (PSIZE) = x 8  | -                  | 16  | 32                 | s    |
|                   |                     | Program/erase parallelism (PSIZE) = x 16 | -                  | 11  | 22                 |      |
|                   |                     | Program/erase parallelism (PSIZE) = x 32 | -                  | 8   | 16                 |      |
| V <sub>prog</sub> | Programming voltage | 32-bit program operation                 | 2.7                | -   | 3.6                | V    |
|                   |                     | 16-bit program operation                 | 2.1                | -   | 3.6                | V    |
|                   |                     | 8-bit program operation                  | 1.7                | -   | 3.6                | V    |

1. Based on characterization, not tested in production.
2. The maximum programming time is measured after 100K erase operations.

**Table 49. Flash memory programming with V<sub>PP</sub>**

| Symbol                          | Parameter   | Conditions   | Min <sup>(1)</sup> | Typ | Max <sup>(1)</sup> | Unit |
|---------------------------------|---|--|--------------------|-----|--------------------|------|
| t <sub>prog</sub>               | Double word programming                                 | T <sub>A</sub> = 0 to +40 °C<br>V <sub>DD</sub> = 3.3 V<br>V <sub>PP</sub> = 8.5 V | -                  | 16  | 100 <sup>(2)</sup> | μs   |
| t <sub>ERASE16KB</sub>          | Sector (16 KB) erase time                               |  | -                  | 230 | -                  | ms   |
| t <sub>ERASE64KB</sub>          | Sector (64 KB) erase time                               |  | -                  | 490 | -                  |      |
| t <sub>ERASE128KB</sub>         | Sector (128 KB) erase time                              |  | -                  | 875 | -                  |      |
| t <sub>ME</sub>                 | Mass erase time   |  | -                  | 6.9 | -                  | s    |
| t <sub>BE</sub>                 | Bank erase time   | -  | 6.9                | -   | s                  |      |
| V <sub>prog</sub>               | Programming voltage                                     |  | 2.7                | -   | 3.6                | V    |
| V <sub>PP</sub>                 | V <sub>PP</sub> voltage range                           |  | 7                  | -   | 9                  | V    |
| I <sub>PP</sub>                 | Minimum current sunk on the V <sub>PP</sub> pin         |  | 10                 | -   | -                  | mA   |
| t <sub>VPP</sub> <sup>(3)</sup> | Cumulative time during which V <sub>PP</sub> is applied |  | -                  | -   | 1                  | hour |

1. Guaranteed by design, not tested in production.
2. The maximum programming time is measured after 100K erase operations.
3. V<sub>PP</sub> should only be connected during programming/erasing.

**Table 50. Flash memory endurance and data retention**

| Symbol           | Parameter      | Conditions  | Value              | Unit    |
|------------------|----------------|---|--------------------|---------|
|                  |                |   | Min <sup>(1)</sup> |         |
| N <sub>END</sub> | Endurance      | T <sub>A</sub> = -40 to +85 °C (6 suffix versions)<br>T <sub>A</sub> = -40 to +105 °C (7 suffix versions) | 10                 | kcycles |
| t <sub>RET</sub> | Data retention | 1 kcycle <sup>(2)</sup> at T <sub>A</sub> = 85 °C   | 30                 | Years   |
|                  |                | 1 kcycle <sup>(2)</sup> at T <sub>A</sub> = 105 °C  | 10                 |         |
|                  |                | 10 kcycles <sup>(2)</sup> at T <sub>A</sub> = 55 °C   | 20                 |         |

1. Based on characterization, not tested in production.
2. Cycling performed over the whole temperature range.

### 6.3.14 EMC characteristics

Susceptibility tests are performed on a sample basis during device characterization.

#### Functional EMS (electromagnetic susceptibility)

While a simple application is executed on the device (toggling 2 LEDs through I/O ports), the device is stressed by two electromagnetic events until a failure occurs. The failure is indicated by the LEDs:

- **Electrostatic discharge (ESD)** (positive and negative) is applied to all device pins until a functional disturbance occurs. This test is compliant with the IEC 61000-4-2 standard.
- **FTB**: A burst of fast transient voltage (positive and negative) is applied to V<sub>DD</sub> and V<sub>SS</sub> through a 100 pF capacitor, until a functional disturbance occurs. This test is compliant with the IEC 61000-4-4 standard.

A device reset allows normal operations to be resumed.

The test results are given in [Table 51](#). They are based on the EMS levels and classes defined in application note AN1709.

**Table 51. EMS characteristics**

| Symbol            | Parameter   | Conditions  | Level/Class |
|-------------------|---|---|-------------|
| V <sub>FESD</sub> | Voltage limits to be applied on any I/O pin to induce a functional disturbance  | V <sub>DD</sub> = 3.3 V, LQFP176, T <sub>A</sub> = +25 °C, f <sub>HCLK</sub> = 168 MHz, conforms to IEC 61000-4-2 | 2B          |
| V <sub>EFTB</sub> | Fast transient voltage burst limits to be applied through 100 pF on V <sub>DD</sub> and V <sub>SS</sub> pins to induce a functional disturbance | V <sub>DD</sub> = 3.3 V, LQFP176, T <sub>A</sub> = +25 °C, f <sub>HCLK</sub> = 168 MHz, conforms to IEC 61000-4-2 | 4A          |

When the application is exposed to a noisy environment, it is recommended to avoid pin exposition to disturbances. The pins showing a middle range robustness are: PA0, PA1, PA2, PH2, PH3, PH4, PH5, PA3, PA4, PA5, PA6, PA7, PC4, and PC5.

As a consequence, it is recommended to add a serial resistor (1 kΩ) located as close as possible to the MCU to the pins exposed to noise (connected to tracks longer than 50 mm on PCB).

**Designing hardened software to avoid noise problems**

EMC characterization and optimization are performed at component level with a typical application environment and simplified MCU software. It should be noted that good EMC performance is highly dependent on the user application and the software in particular.

Therefore it is recommended that the user applies EMC software optimization and prequalification tests in relation with the EMC level requested for his application.

Software recommendations

The software flowchart must include the management of runaway conditions such as:

- Corrupted program counter
- Unexpected reset
- Critical Data corruption (control registers...)

Prequalification trials

Most of the common failures (unexpected reset and program counter corruption) can be reproduced by manually forcing a low state on the NRST pin or the Oscillator pins for 1 second.

To complete these trials, ESD stress can be applied directly on the device, over the range of specification values. When unexpected behavior is detected, the software can be hardened to prevent unrecoverable errors occurring (see application note AN1015).

**Electromagnetic Interference (EMI)**

The electromagnetic field emitted by the device are monitored while a simple application, executing EEMBC<sup>?</sup> code, is running. This emission test is compliant with SAE IEC61967-2 standard which specifies the test board and the pin loading.

**Table 52. EMI characteristics**

| Symbol           | Parameter  | Conditions  | Monitored frequency band | Max vs. [f <sub>HSE</sub> /f <sub>CPU</sub> ] | Max vs. [f <sub>HSE</sub> /f <sub>CPU</sub> ] | Unit |
|------------------|------------|---|--------------------------|---|---|------|
|                  |            |   |                          | 25/168 MHz                                    | 25/180 MHz                                    |      |
| S <sub>EMI</sub> | Peak level | V <sub>DD</sub> = 3.3 V, T <sub>A</sub> = 25 °C, LQFP176 package, conforming to SAE J1752/3 EEMBC, ART ON, all peripheral clocks enabled, clock dithering disabled. | 0.1 to 30 MHz            | 16  | 19  | dBµV |
|                  |            |   | 30 to 130 MHz            | 23  | 23  |      |
|                  |            |   | 130 MHz to 1GHz          | 25  | 22  |      |
|                  |            |   | SAE EMI Level            | 4   | 4   | -    |
|                  |            | V <sub>DD</sub> = 3.3 V, T <sub>A</sub> = 25 °C, LQFP176 package, conforming to SAE J1752/3 EEMBC, ART ON, all peripheral clocks enabled, clock dithering enabled   | 0.1 to 30 MHz            | 17  | 16  | dBµV |
|                  |            |   | 30 to 130 MHz            | 8   | 10  |      |
|                  |            |   | 130 MHz to 1GHz          | 11  | 16  |      |
|                  |            |   | SAE EMI level            | 3.5   | 3.5   | -    |

### 6.3.15 Absolute maximum ratings (electrical sensitivity)

Based on three different tests (ESD, LU) using specific measurement methods, the device is stressed in order to determine its performance in terms of electrical sensitivity.

#### Electrostatic discharge (ESD)

Electrostatic discharges (a positive then a negative pulse separated by 1 second) are applied to the pins of each sample according to each pin combination. The sample size depends on the number of supply pins in the device (3 parts × (n+1) supply pins). This test conforms to the JESD22-A114/C101 standard.

**Table 53. ESD absolute maximum ratings**

| Symbol         | Ratings   | Conditions   | Class | Maximum value <sup>(1)</sup> | Unit |
|----------------|---|--|-------|------------------------------|------|
| $V_{ESD(HBM)}$ | Electrostatic discharge voltage (human body model)    | $T_A = +25\text{ °C}$ conforming to JESD22-A114  | 2     | 2000                         | V    |
| $V_{ESD(CDM)}$ | Electrostatic discharge voltage (charge device model) | $T_A = +25\text{ °C}$ conforming to JESD22-C101, LQFP100/144/176, UFBGA169/176, TFBGA176 and WLCSP143 packages | II    | 500                          |      |
|                |   | $T_A = +25\text{ °C}$ conforming to JESD22-C101, LQFP208 package   | II    | 250                          |      |

1. Guaranteed by characterization results, not tested in production.

#### Static latchup

Two complementary static tests are required on six parts to assess the latchup performance:

- A supply overvoltage is applied to each power supply pin
- A current injection is applied to each input, output and configurable I/O pin

These tests are compliant with EIA/JESD 78A IC latchup standard.

**Table 54. Electrical sensitivities**

| Symbol | Parameter             | Conditions                                   | Class      |
|--------|-----------------------|--|------------|
| LU     | Static latch-up class | $T_A = +105\text{ °C}$ conforming to JESD78A | II level A |

### 6.3.16 I/O current injection characteristics

As a general rule, current injection to the I/O pins, due to external voltage below  $V_{SS}$  or above  $V_{DD}$  (for standard, 3 V-capable I/O pins) should be avoided during normal product operation. However, in order to give an indication of the robustness of the microcontroller in cases when abnormal injection accidentally happens, susceptibility tests are performed on a sample basis during device characterization.

**Functional susceptibility to I/O current injection**

While a simple application is executed on the device, the device is stressed by injecting current into the I/O pins programmed in floating input mode. While current is injected into the I/O pin, one at a time, the device is checked for functional failures.

The failure is indicated by an out of range parameter: ADC error above a certain limit (>5 LSB TUE), out of conventional limits of induced leakage current on adjacent pins (out of -5 μA/+0 μA range), or other functional failure (for example reset, oscillator frequency deviation).

Negative induced leakage current is caused by negative injection and positive induced leakage current by positive injection.

The test results are given in [Table 55](#).

**Table 55. I/O current injection susceptibility<sup>(1)</sup>**

| Symbol           | Description  | Functional susceptibility |                    | Unit |
|------------------|--|---------------------------|--------------------|------|
|                  |  | Negative injection        | Positive injection |      |
| I <sub>INJ</sub> | Injected current on BOOT0 pin  | -0                        | NA                 | mA   |
|                  | Injected current on NRST pin   | -0                        | NA                 |      |
|                  | Injected current on PA0, PA1, PA2, PA3, PA6, PA7, PB0, PC0, PC1, PC2, PC3, PC4, PC5, PH1, PH2, PH3, PH4, PH5 | -0                        | NA                 |      |
|                  | Injected current on TTa pins: PA4 and PA5  | -0                        | +5                 |      |
|                  | Injected current on any other FT pin   | -5                        | NA                 |      |

1. NA = not applicable.

*Note: It is recommended to add a Schottky diode (pin to ground) to analog pins which may potentially inject negative currents.*

**6.3.17 I/O port characteristics**

**General input/output characteristics**

Unless otherwise specified, the parameters given in [Table 56: I/O static characteristics](#) are derived from tests performed under the conditions summarized in [Table 17](#). All I/Os are CMOS and TTL compliant.

**Table 56. I/O static characteristics**

| Symbol          | Parameter   | Conditions   | Min | Typ | Max                                      | Unit |
|-----------------|---|--|-----|-----|--|------|
| V <sub>IL</sub> | FT, TTa and NRST I/O input low level voltage                    | 1.7 V ≤ V <sub>DD</sub> ≤ 3.6 V                                    | -   | -   | 0.35V <sub>DD</sub> -0.04 <sup>(1)</sup> | V    |
|                 |   |  |     |     | 0.3V <sub>DD</sub> <sup>(2)</sup>        |      |
|                 | BOOT0 I/O input low level voltage                               | 1.75 V ≤ V <sub>DD</sub> ≤ 3.6 V, -40 °C ≤ T <sub>A</sub> ≤ 105 °C | -   | -   | 0.1V <sub>DD</sub> +0.1 <sup>(1)</sup>   |      |
|                 | 1.7 V ≤ V <sub>DD</sub> ≤ 3.6 V, 0 °C ≤ T <sub>A</sub> ≤ 105 °C | -  | -   |     |  |      |

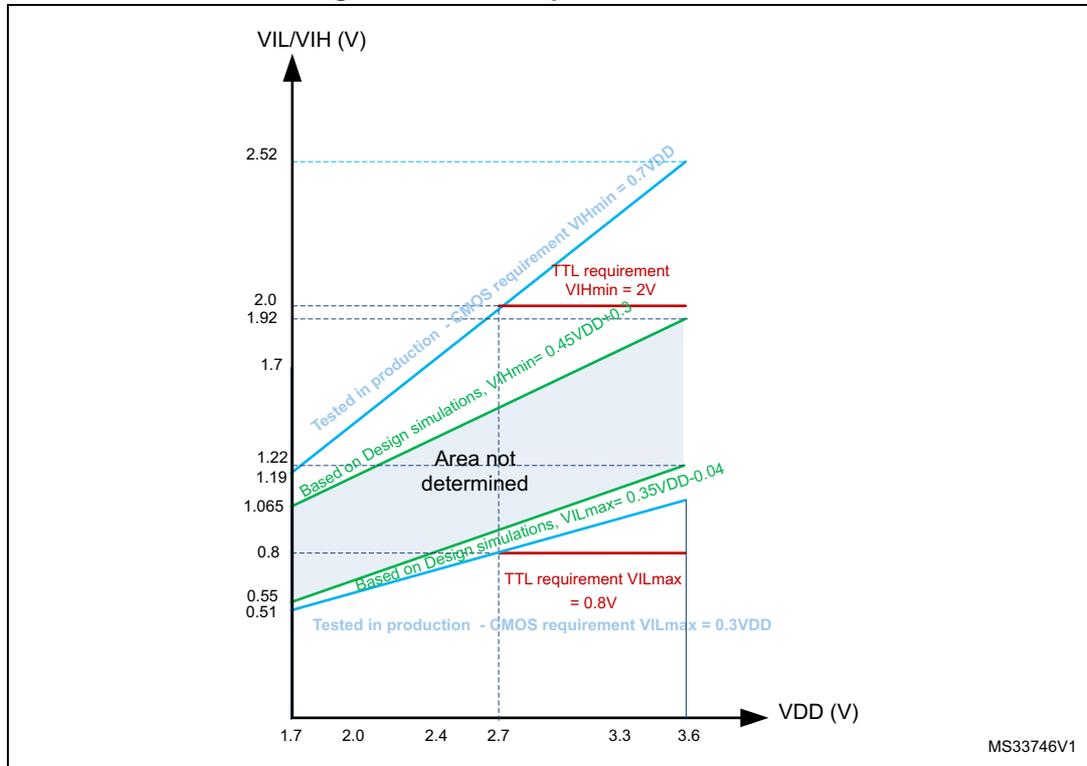
Table 56. I/O static characteristics (continued)

| Symbol                         | Parameter  | Conditions  | Min   | Typ | Max | Unit |  |
|--------------------------------|--|---|---|-----|-----|------|--|
| V <sub>IH</sub>                | FT, TTA and NRST I/O input high level voltage <sup>(5)</sup> | 1.7 V ≤ V <sub>DD</sub> ≤ 3.6 V                                       | 0.45V <sub>DD</sub> +0.3 <sup>(1)</sup>                               | -   | -   | V    |  |
|                                |  |   | 0.7V <sub>DD</sub> <sup>(2)</sup>                                     |     |     |      |  |
| V <sub>IH</sub>                | BOOT0 I/O input high level voltage                           | 1.75 V ≤ V <sub>DD</sub> ≤ 3.6 V,<br>-40 °C ≤ T <sub>A</sub> ≤ 105 °C | 0.17V <sub>DD</sub> +0.7 <sup>(1)</sup>                               | -   | -   | V    |  |
|                                |  | 1.7 V ≤ V <sub>DD</sub> ≤ 3.6 V,<br>0 °C ≤ T <sub>A</sub> ≤ 105 °C    |   |     |     |      |  |
| V <sub>HYS</sub>               | FT, TTA and NRST I/O input hysteresis                        | 1.7 V ≤ V <sub>DD</sub> ≤ 3.6 V                                       | 0.45V <sub>DD</sub> +0.3 <sup>(1)</sup>                               | -   | -   | V    |  |
|                                |  |   | 1.75 V ≤ V <sub>DD</sub> ≤ 3.6 V,<br>-40 °C ≤ T <sub>A</sub> ≤ 105 °C |     |     |      | 10%V <sub>DDIO</sub> <sup>(1)</sup><br>(3) |
| I <sub>Ikg</sub>               | I/O input leakage current <sup>(4)</sup>                     | V <sub>SS</sub> ≤ V <sub>IN</sub> ≤ V <sub>DD</sub>                   | -   | -   | ±1  | μA   |  |
|                                | I/O FT input leakage current <sup>(5)</sup>                  | V <sub>IN</sub> = 5 V   | -   | -   | 3   |      |  |
| R <sub>PU</sub>                | Weak pull-up equivalent resistor <sup>(6)</sup>              | All pins except for PA10/PB12 (OTG_FS_ID, OTG_HS_ID)                  | V <sub>IN</sub> = V <sub>SS</sub>                                     | 30  | 40  | 50   | kΩ   |
|                                |  | PA10/PB12 (OTG_FS_ID, OTG_HS_ID)                                      | -   | 7   | 10  | 14   |  |
| R <sub>PD</sub>                | Weak pull-down equivalent resistor <sup>(7)</sup>            | All pins except for PA10/PB12 (OTG_FS_ID, OTG_HS_ID)                  | V <sub>IN</sub> = V <sub>DD</sub>                                     | 30  | 40  | 50   | kΩ   |
|                                |  | PA10/PB12 (OTG_FS_ID, OTG_HS_ID)                                      | -   | 7   | 10  | 14   |  |
| C <sub>IO</sub> <sup>(8)</sup> | I/O pin capacitance  | -   | -   | 5   | -   | pF   |  |

1. Guaranteed by design, not tested in production.
2. Tested in production.
3. With a minimum of 200 mV.
4. Leakage could be higher than the maximum value, if negative current is injected on adjacent pins, Refer to [Table 55: I/O current injection susceptibility](#)
5. To sustain a voltage higher than VDD +0.3 V, the internal pull-up/pull-down resistors must be disabled. Leakage could be higher than the maximum value, if negative current is injected on adjacent pins. Refer to [Table 55: I/O current injection susceptibility](#)
6. Pull-up resistors are designed with a true resistance in series with a switchable PMOS. This PMOS contribution to the series resistance is minimum (~10% order).
7. Pull-down resistors are designed with a true resistance in series with a switchable NMOS. This NMOS contribution to the series resistance is minimum (~10% order).
8. Hysteresis voltage between Schmitt trigger switching levels. Based on characterization, not tested in production.

All I/Os are CMOS and TTL compliant (no software configuration required). Their characteristics cover more than the strict CMOS-technology or TTL parameters. The coverage of these requirements for FT I/Os is shown in [Figure 35](#).

**Figure 35. FT I/O input characteristics**



**Output driving current**

The GPIOs (general purpose input/outputs) can sink or source up to  $\pm 8$  mA, and sink or source up to  $\pm 20$  mA (with a relaxed  $V_{OL}/V_{OH}$ ) except PC13, PC14, PC15 and PI8 which can sink or source up to  $\pm 3$ mA. When using the PC13 to PC15 and PI8 GPIOs in output mode, the speed should not exceed 2 MHz with a maximum load of 30 pF.

In the user application, the number of I/O pins which can drive current must be limited to respect the absolute maximum rating specified in [Section 6.2](#). In particular:

- The sum of the currents sourced by all the I/Os on  $V_{DD}$ , plus the maximum Run consumption of the MCU sourced on  $V_{DD}$ , cannot exceed the absolute maximum rating  $\Sigma I_{VDD}$  (see [Table 15](#)).
- The sum of the currents sunk by all the I/Os on  $V_{SS}$  plus the maximum Run consumption of the MCU sunk on  $V_{SS}$  cannot exceed the absolute maximum rating  $\Sigma I_{VSS}$  (see [Table 15](#)).

**Output voltage levels**

Unless otherwise specified, the parameters given in [Table 57](#) are derived from tests performed under ambient temperature and  $V_{DD}$  supply voltage conditions summarized in [Table 17](#). All I/Os are CMOS and TTL compliant.

Table 57. Output voltage characteristics

| Symbol         | Parameter                                | Conditions   | Min                | Max                | Unit |
|----------------|--|--|--------------------|--------------------|------|
| $V_{OL}^{(1)}$ | Output low level voltage for an I/O pin  | CMOS port <sup>(2)</sup><br>$I_{IO} = +8 \text{ mA}$<br>$2.7 \text{ V} \leq V_{DD} \leq 3.6 \text{ V}$ | -                  | 0.4                | V    |
| $V_{OH}^{(3)}$ | Output high level voltage for an I/O pin |  | $V_{DD}-0.4$       | -                  |      |
| $V_{OL}^{(1)}$ | Output low level voltage for an I/O pin  | TTL port <sup>(2)</sup><br>$I_{IO} = +8 \text{ mA}$<br>$2.7 \text{ V} \leq V_{DD} \leq 3.6 \text{ V}$  | -                  | 0.4                | V    |
| $V_{OH}^{(3)}$ | Output high level voltage for an I/O pin |  | 2.4                | -                  |      |
| $V_{OL}^{(1)}$ | Output low level voltage for an I/O pin  | $I_{IO} = +20 \text{ mA}$<br>$2.7 \text{ V} \leq V_{DD} \leq 3.6 \text{ V}$                            | -                  | 1.3 <sup>(4)</sup> | V    |
| $V_{OH}^{(3)}$ | Output high level voltage for an I/O pin |  | $V_{DD}-1.3^{(4)}$ | -                  |      |
| $V_{OL}^{(1)}$ | Output low level voltage for an I/O pin  | $I_{IO} = +6 \text{ mA}$<br>$1.8 \text{ V} \leq V_{DD} \leq 3.6 \text{ V}$                             | -                  | 0.4 <sup>(4)</sup> | V    |
| $V_{OH}^{(3)}$ | Output high level voltage for an I/O pin |  | $V_{DD}-0.4^{(4)}$ | -                  |      |
| $V_{OL}^{(1)}$ | Output low level voltage for an I/O pin  | $I_{IO} = +4 \text{ mA}$<br>$1.7 \text{ V} \leq V_{DD} \leq 3.6 \text{ V}$                             | -                  | 0.4 <sup>(5)</sup> | V    |
| $V_{OH}^{(3)}$ | Output high level voltage for an I/O pin |  | $V_{DD}-0.4^{(5)}$ | -                  |      |

1. The  $I_{IO}$  current sunk by the device must always respect the absolute maximum rating specified in [Table 15](#) and the sum of  $I_{IO}$  (I/O ports and control pins) must not exceed  $I_{VSS}$ .
2. TTL and CMOS outputs are compatible with JEDEC standards JESD36 and JESD52.
3. The  $I_{IO}$  current sourced by the device must always respect the absolute maximum rating specified in [Table 15](#) and the sum of  $I_{IO}$  (I/O ports and control pins) must not exceed  $I_{VDD}$ .
4. Based on characterization data.
5. Guaranteed by design, not tested in production.

Input/output AC characteristics

The definition and values of input/output AC characteristics are given in [Figure 36](#) and [Table 58](#), respectively.

Unless otherwise specified, the parameters given in [Table 58](#) are derived from tests performed under the ambient temperature and  $V_{DD}$  supply voltage conditions summarized in [Table 17](#).

Table 58. I/O AC characteristics<sup>(1)(2)</sup>

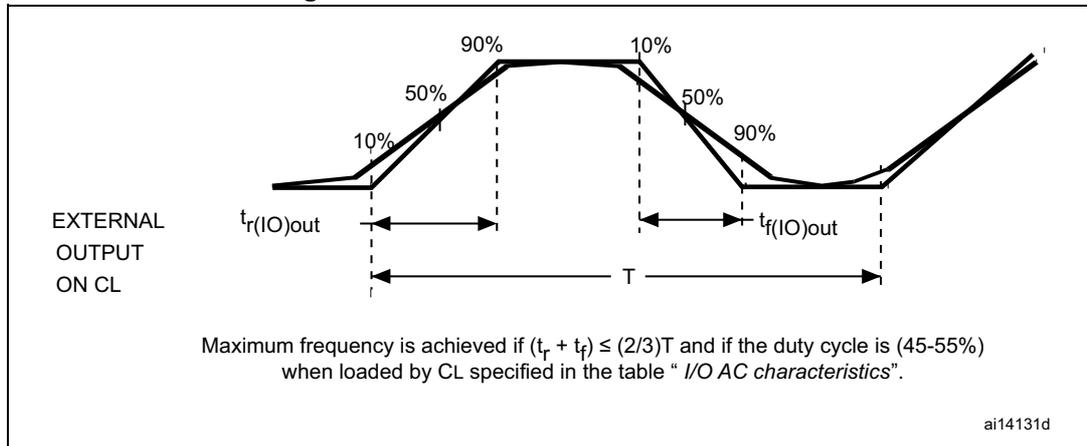
| OSPEEDRy [1:0] bit value <sup>(1)</sup> | Symbol   | Parameter   | Conditions  | Min | Typ | Max | Unit |
|---|--|---|---|-----|-----|-----|------|
| 00                                      | $f_{\text{max}(\text{IO})\text{out}}$                    | Maximum frequency <sup>(3)</sup>  | $C_L = 50 \text{ pF}, V_{DD} \geq 2.7 \text{ V}$                | -   | -   | 4   | MHz  |
|   |  |   | $C_L = 50 \text{ pF}, V_{DD} \geq 1.7 \text{ V}$                | -   | -   | 2   |      |
|   |  |   | $C_L = 10 \text{ pF}, V_{DD} \geq 2.7 \text{ V}$                | -   | -   | 8   |      |
|   |  |   | $C_L = 10 \text{ pF}, V_{DD} \geq 1.8 \text{ V}$                | -   | -   | 4   |      |
|   |  |   | $C_L = 10 \text{ pF}, V_{DD} \geq 1.7 \text{ V}$                | -   | -   | 3   |      |
|   | $t_{f(\text{IO})\text{out}}/ t_{r(\text{IO})\text{out}}$ | Output high to low level fall time and output low to high level rise time | $C_L = 50 \text{ pF}, V_{DD} = 1.7 \text{ V to } 3.6 \text{ V}$ | -   | -   | 100 | ns   |

Table 58. I/O AC characteristics<sup>(1)(2)</sup> (continued)

| OSPEEDRy<br>[1:0] bit<br>value <sup>(1)</sup>      | Symbol   | Parameter   | Conditions                                      | Min   | Typ | Max                | Unit               |
|--|--|---|---|---|-----|--------------------|--------------------|
| 01   | f <sub>max(I/O)out</sub>                           | Maximum frequency <sup>(3)</sup>  | C <sub>L</sub> = 50 pF, V <sub>DD</sub> ≥ 2.7 V | -   | -   | 25                 | MHz                |
|  |  |   | C <sub>L</sub> = 50 pF, V <sub>DD</sub> ≥ 1.8 V | -   | -   | 12.5               |                    |
|  |  |   | C <sub>L</sub> = 50 pF, V <sub>DD</sub> ≥ 1.7 V | -   | -   | 10                 |                    |
|  |  |   | C <sub>L</sub> = 10 pF, V <sub>DD</sub> ≥ 2.7 V | -   | -   | 50                 |                    |
|  |  |   | C <sub>L</sub> = 10 pF, V <sub>DD</sub> ≥ 1.8 V | -   | -   | 20                 |                    |
|  |  |   | C <sub>L</sub> = 10 pF, V <sub>DD</sub> ≥ 1.7 V | -   | -   | 12.5               |                    |
|  | t <sub>f(I/O)out</sub> /<br>t <sub>r(I/O)out</sub> | Output high to low level fall<br>time and output low to high<br>level rise time | C <sub>L</sub> = 50 pF, V <sub>DD</sub> ≥ 2.7 V | -   | -   | 10                 | ns                 |
|  |  |   | C <sub>L</sub> = 10 pF, V <sub>DD</sub> ≥ 2.7 V | -   | -   | 6                  |                    |
|  |  |   | C <sub>L</sub> = 50 pF, V <sub>DD</sub> ≥ 1.7 V | -   | -   | 20                 |                    |
|  |  |   | C <sub>L</sub> = 10 pF, V <sub>DD</sub> ≥ 1.7 V | -   | -   | 10                 |                    |
| 10   | f <sub>max(I/O)out</sub>                           | Maximum frequency <sup>(3)</sup>  | C <sub>L</sub> = 40 pF, V <sub>DD</sub> ≥ 2.7 V | -   | -   | 50 <sup>(4)</sup>  | MHz                |
|  |  |   | C <sub>L</sub> = 10 pF, V <sub>DD</sub> ≥ 2.7 V | -   | -   | 100 <sup>(4)</sup> |                    |
|  |  |   | C <sub>L</sub> = 40 pF, V <sub>DD</sub> ≥ 1.7 V | -   | -   | 25                 |                    |
|  |  |   | C <sub>L</sub> = 10 pF, V <sub>DD</sub> ≥ 1.8 V | -   | -   | 50                 |                    |
|  |  |   | C <sub>L</sub> = 10 pF, V <sub>DD</sub> ≥ 1.7 V | -   | -   | 42.5               |                    |
|  | t <sub>f(I/O)out</sub> /<br>t <sub>r(I/O)out</sub> | Output high to low level fall<br>time and output low to high<br>level rise time | C <sub>L</sub> = 40 pF, V <sub>DD</sub> ≥ 2.7 V | -   | -   | 6                  | ns                 |
|  |  |   | C <sub>L</sub> = 10 pF, V <sub>DD</sub> ≥ 2.7 V | -   | -   | 4                  |                    |
|  |  |   | C <sub>L</sub> = 40 pF, V <sub>DD</sub> ≥ 1.7 V | -   | -   | 10                 |                    |
|  |  |   | C <sub>L</sub> = 10 pF, V <sub>DD</sub> ≥ 1.7 V | -   | -   | 6                  |                    |
|  | 11   | f <sub>max(I/O)out</sub>  | Maximum frequency <sup>(3)</sup>                | C <sub>L</sub> = 30 pF, V <sub>DD</sub> ≥ 2.7 V | -   | -                  | 100 <sup>(4)</sup> |
| C <sub>L</sub> = 30 pF, V <sub>DD</sub> ≥ 1.8 V    |  |   |   | -   | -   | 50                 |                    |
| C <sub>L</sub> = 30 pF, V <sub>DD</sub> ≥ 1.7 V    |  |   |   | -   | -   | 42.5               |                    |
| C <sub>L</sub> = 10 pF, V <sub>DD</sub> ≥ 2.7 V    |  |   |   | -   | -   | 180 <sup>(4)</sup> |                    |
| C <sub>L</sub> = 10 pF, V <sub>DD</sub> ≥ 1.8 V    |  |   |   | -   | -   | 100                |                    |
| C <sub>L</sub> = 10 pF, V <sub>DD</sub> ≥ 1.7 V    |  |   |   | -   | -   | 72.5               |                    |
| t <sub>f(I/O)out</sub> /<br>t <sub>r(I/O)out</sub> |  | Output high to low level fall<br>time and output low to high<br>level rise time | C <sub>L</sub> = 30 pF, V <sub>DD</sub> ≥ 2.7 V | -   | -   | 4                  | ns                 |
|  |  |   | C <sub>L</sub> = 30 pF, V <sub>DD</sub> ≥ 1.8 V | -   | -   | 6                  |                    |
|  |  |   | C <sub>L</sub> = 30 pF, V <sub>DD</sub> ≥ 1.7 V | -   | -   | 7                  |                    |
|  |  |   | C <sub>L</sub> = 10 pF, V <sub>DD</sub> ≥ 2.7 V | -   | -   | 2.5                |                    |
|  |  |   | C <sub>L</sub> = 10 pF, V <sub>DD</sub> ≥ 1.8 V | -   | -   | 3.5                |                    |
|  |  |   | C <sub>L</sub> = 10 pF, V <sub>DD</sub> ≥ 1.7 V | -   | -   | 4                  |                    |
| -  | tEXTIpw  | Pulse width of external signals<br>detected by the EXTI<br>controller           |   | 10  | -   | -                  | ns                 |

1. Guaranteed by design, not tested in production.
2. The I/O speed is configured using the OSPEEDRy[1:0] bits. Refer to the STM32F4xx reference manual for a description of the GPIOx\_SPEEDR GPIO port output speed register.
3. The maximum frequency is defined in [Figure 36](#).
4. For maximum frequencies above 50 MHz and  $V_{DD} > 2.4$  V, the compensation cell should be used.

Figure 36. I/O AC characteristics definition



### 6.3.18 NRST pin characteristics

The NRST pin input driver uses CMOS technology. It is connected to a permanent pull-up resistor,  $R_{PU}$  (see [Table 56: I/O static characteristics](#)).

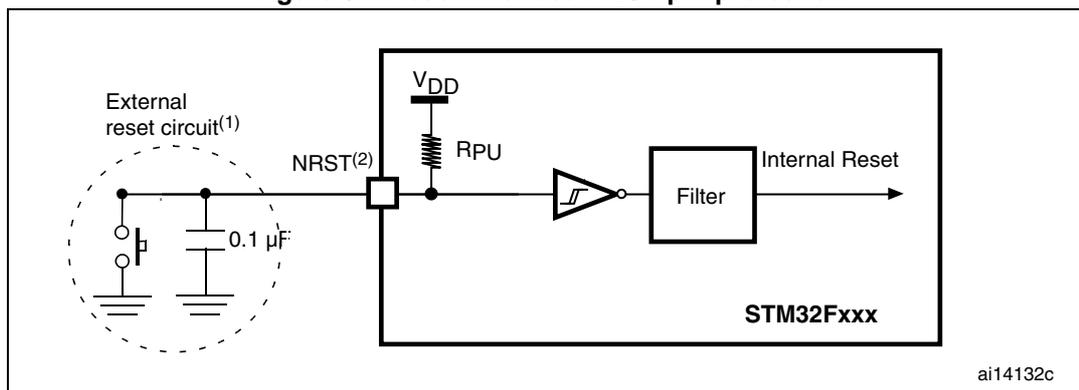
Unless otherwise specified, the parameters given in [Table 59](#) are derived from tests performed under the ambient temperature and  $V_{DD}$  supply voltage conditions summarized in [Table 17](#).

Table 59. NRST pin characteristics

| Symbol               | Parameter                                       | Conditions            | Min | Typ | Max | Unit       |
|----------------------|---|-----------------------|-----|-----|-----|------------|
| $R_{PU}$             | Weak pull-up equivalent resistor <sup>(1)</sup> | $V_{IN} = V_{SS}$     | 30  | 40  | 50  | k $\Omega$ |
| $V_{F(NRST)}^{(2)}$  | NRST Input filtered pulse                       |                       | -   | -   | 100 | ns         |
| $V_{NF(NRST)}^{(2)}$ | NRST Input not filtered pulse                   | $V_{DD} > 2.7$ V      | 300 | -   | -   | ns         |
| $T_{NRST\_OUT}$      | Generated reset pulse duration                  | Internal Reset source | 20  | -   | -   | $\mu$ s    |

1. The pull-up is designed with a true resistance in series with a switchable PMOS. This PMOS contribution to the series resistance must be minimum (~10% order).
2. Guaranteed by design, not tested in production.

Figure 37. Recommended NRST pin protection



1. The reset network protects the device against parasitic resets.
2. The user must ensure that the level on the NRST pin can go below the  $V_{IL(NRST)}$  max level specified in [Table 59](#). Otherwise the reset is not taken into account by the device.

### 6.3.19 TIM timer characteristics

The parameters given in [Table 60](#) are guaranteed by design.

Refer to [Section 6.3.17: I/O port characteristics](#) for details on the input/output alternate function characteristics (output compare, input capture, external clock, PWM output).

Table 60. TIMx characteristics<sup>(1)(2)</sup>

| Symbol           | Parameter                                    | Conditions <sup>(3)</sup>                                      | Min | Max                  | Unit          |
|------------------|--|--|-----|----------------------|---------------|
| $t_{res(TIM)}$   | Timer resolution time                        | AHB/APBx prescaler=1 or 2 or 4, $f_{TIMxCLK} = 180\text{ MHz}$ | 1   | -                    | $t_{TIMxCLK}$ |
|                  |  | AHB/APBx prescaler>4, $f_{TIMxCLK} = 90\text{ MHz}$            | 1   | -                    | $t_{TIMxCLK}$ |
| $f_{EXT}$        | Timer external clock frequency on CH1 to CH4 | $f_{TIMxCLK} = 180\text{ MHz}$                                 | 0   | $f_{TIMxCLK}/2$      | MHZ           |
| $Res_{TIM}$      | Timer resolution                             |  | -   | 16/32                | bit           |
| $t_{MAX\_COUNT}$ | Maximum possible count with 32-bit counter   |  | -   | $65536 \times 65536$ | $t_{TIMxCLK}$ |

1. TIMx is used as a general term to refer to the TIM1 to TIM12 timers.
2. Guaranteed by design, not tested in production.
3. The maximum timer frequency on APB1 or APB2 is up to 180 MHz, by setting the TIMPRE bit in the RCC\_DCKCFGR register, if APBx prescaler is 1 or 2 or 4, then  $TIMxCLK = HCKL$ , otherwise  $TIMxCLK = 4x PCLKx$ .

### 6.3.20 Communications interfaces

#### I<sup>2</sup>C interface characteristics

The I<sup>2</sup>C interface meets the requirements of the standard I<sup>2</sup>C communication protocol with the following restrictions: the I/O pins SDA and SCL are mapped to are not “true” open-drain. When configured as open-drain, the PMOS connected between the I/O pin and  $V_{DD}$  is disabled, but is still present.

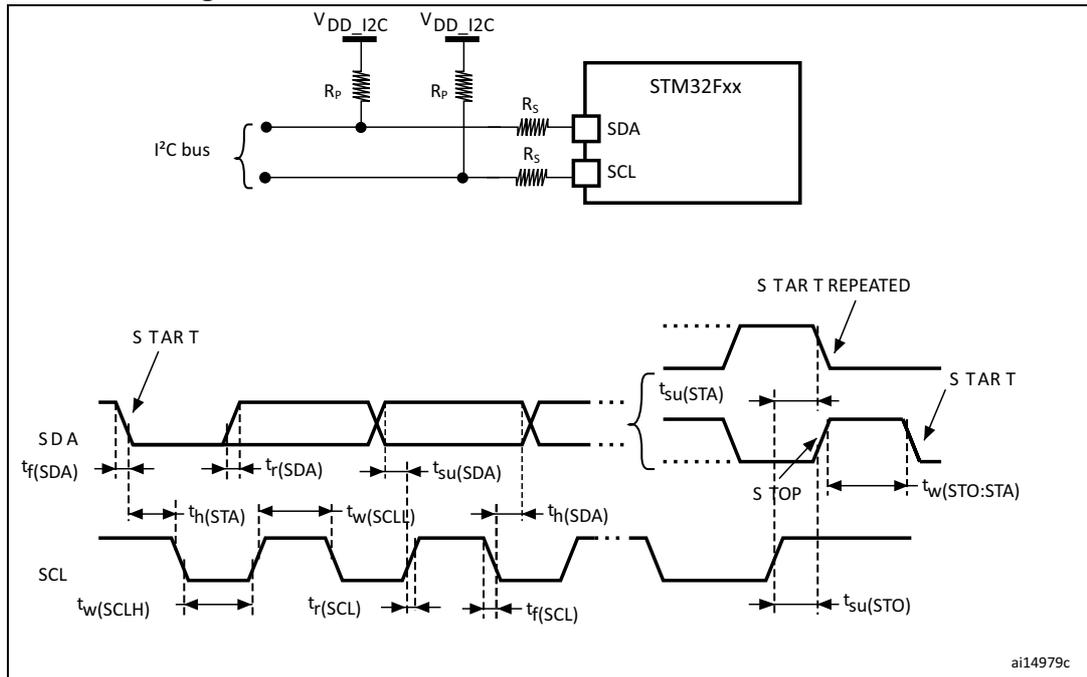
The I<sup>2</sup>C characteristics are described in [Table 61](#). Refer also to [Section 6.3.17: I/O port characteristics](#) for more details on the input/output alternate function characteristics (SDA and SCL).

Table 61. I<sup>2</sup>C characteristics

| Symbol                                     | Parameter   | Standard mode I <sup>2</sup> C <sup>(1)(2)</sup> |                     | Fast mode I <sup>2</sup> C <sup>(1)(2)</sup> |                    | Unit |
|--|---|--|---------------------|--|--------------------|------|
|  |   | Min  | Max                 | Min  | Max                |      |
| t <sub>w(SCLL)</sub>                       | SCL clock low time  | 4.7  | -                   | 1.3  | -                  | μs   |
| t <sub>w(SCLH)</sub>                       | SCL clock high time   | 4.0  | -                   | 0.6  | -                  |      |
| t <sub>su(SDA)</sub>                       | SDA setup time  | 250  | -                   | 100  | -                  | ns   |
| t <sub>h(SDA)</sub>                        | SDA data hold time  | -  | 3450 <sup>(3)</sup> | -  | 900 <sup>(4)</sup> |      |
| t <sub>r(SDA)</sub><br>t <sub>r(SCL)</sub> | SDA and SCL rise time   | -  | 1000                | -  | 300                |      |
| t <sub>f(SDA)</sub><br>t <sub>f(SCL)</sub> | SDA and SCL fall time   | -  | 300                 | -  | 300                | μs   |
| t <sub>h(STA)</sub>                        | Start condition hold time   | 4.0  | -                   | 0.6  | -                  |      |
| t <sub>su(STA)</sub>                       | Repeated Start condition setup time   | 4.7  | -                   | 0.6  | -                  | μs   |
| t <sub>su(STO)</sub>                       | Stop condition setup time   | 4.0  | -                   | 0.6  | -                  | μs   |
| t <sub>w(STO:STA)</sub>                    | Stop to Start condition time (bus free)   | 4.7  | -                   | 1.3  | -                  | μs   |
| t <sub>SP</sub>                            | Pulse width of the spikes that are suppressed by the analog filter for standard and fast mode | 0  | 50 <sup>(5)</sup>   | 0  | 50 <sup>(5)</sup>  | μs   |
| C <sub>b</sub>                             | Capacitive load for each bus line   | -  | 400                 | -  | 400                | pF   |

1. Guaranteed by design, not tested in production.
2. f<sub>PCLK1</sub> must be at least 2 MHz to achieve standard mode I<sup>2</sup>C frequencies. It must be at least 4 MHz to achieve fast mode I<sup>2</sup>C frequencies, and a multiple of 10 MHz to reach the 400 kHz maximum I<sup>2</sup>C fast mode clock.
3. The device must internally provide a hold time of at least 300 ns for the SDA signal in order to bridge the undefined region of the falling edge of SCL.
4. The maximum data hold time has only to be met if the interface does not stretch the low period of SCL signal.
5. The minimum width of the spikes filtered by the analog filter is above t<sub>SP(max)</sub>.

Figure 38. I<sup>2</sup>C bus AC waveforms and measurement circuit



1.  $R_S$  = series protection resistor.
2.  $R_P$  = external pull-up resistor.
3.  $V_{DD\_I2C}$  is the I2C bus power supply.

Table 62. SCL frequency ( $f_{PCLK1} = 42\text{ MHz}, V_{DD} = V_{DD\_I2C} = 3.3\text{ V}$ )<sup>(1)(2)</sup>

| $f_{SCL}$ (kHz) | I2C_CCR value              |
|-----------------|----------------------------|
|                 | $R_P = 4.7\text{ k}\Omega$ |
| 400             | 0x8019                     |
| 300             | 0x8021                     |
| 200             | 0x8032                     |
| 100             | 0x0096                     |
| 50              | 0x012C                     |
| 20              | 0x02EE                     |

1.  $R_P$  = External pull-up resistance,  $f_{SCL}$  = I<sup>2</sup>C speed,
2. For speeds around 200 kHz, the tolerance on the achieved speed is of  $\pm 5\%$ . For other speed ranges, the tolerance on the achieved speed  $\pm 2\%$ . These variations depend on the accuracy of the external components used to design the application.

**SPI interface characteristics**

Unless otherwise specified, the parameters given in [Table 63](#) for the SPI interface are derived from tests performed under the ambient temperature,  $f_{PCLKx}$  frequency and  $V_{DD}$  supply voltage conditions summarized in [Table 17](#), with the following configuration:

- Output speed is set to  $OSPEEDRy[1:0] = 10$
- Capacitive load  $C = 30 \text{ pF}$
- Measurement points are done at CMOS levels:  $0.5V_{DD}$

Refer to [Section 6.3.17: I/O port characteristics](#) for more details on the input/output alternate function characteristics (NSS, SCK, MOSI, MISO for SPI).

**Table 63. SPI dynamic characteristics<sup>(1)</sup>**

| Symbol                      | Parameter   | Conditions   | Min                         | Typ               | Max              | Unit |
|-----------------------------|---|--|-----------------------------|-------------------|------------------|------|
| $f_{SCK}$<br>$1/t_{c(SCK)}$ | SPI clock frequency   | Master mode, SPI1/4/5/6,<br>$2.7 \text{ V} \leq V_{DD} \leq 3.6 \text{ V}$       | -                           | -                 | 45               | MHz  |
|                             |   | Slave mode, SPI1/4/5/6,<br>$2.7 \text{ V} \leq V_{DD} \leq 3.6 \text{ V}$        |                             |                   | Receiver         |      |
|                             |   |  | Transmitter/<br>full-duplex | 38 <sup>(2)</sup> |                  |      |
|                             |   | Master mode, SPI1/2/3/4/5/6,<br>$1.7 \text{ V} \leq V_{SS} \leq 3.6 \text{ V}$   | -                           | -                 | 22.5             |      |
|                             | Slave mode, SPI1/2/3/4/5/6,<br>$1.7 \text{ V} \leq V_{SS} \leq 3.6 \text{ V}$ | -  | -                           | 22.5              |                  |      |
| Duty(SCK)                   | Duty cycle of SPI clock frequency   | Slave mode   | 30                          | 50                | 70               | %    |
| $t_{w(SCKH)}$               | SCK high and low time   | Master mode, SPI presc = 2,<br>$2.7 \text{ V} \leq V_{DD} \leq 3.6 \text{ V}$    | $T_{PCLK} - 0.5$            | $T_{PCLK}$        | $T_{PCLK} + 0.5$ | ns   |
| $t_{w(SCKL)}$               |   | Master mode, SPI presc = 2,<br>$1.7 \text{ V} \leq V_{SS} \leq 3.6 \text{ V}$    | $T_{PCLK} - 2$              | $T_{PCLK}$        | $T_{PCLK} + 2$   |      |
| $t_{su(NSS)}$               | NSS setup time  | Slave mode, SPI presc = 2  | $4T_{PCLK}$                 | -                 | -                |      |
| $t_{h(NSS)}$                | NSS hold time   | Slave mode, SPI presc = 2  | $2T_{PCLK}$                 | -                 | -                |      |
| $t_{su(MI)}$                | Data input setup time   | Master mode  | 3                           | -                 | -                |      |
| $t_{su(SI)}$                |   | Slave mode   | 0                           | -                 | -                |      |
| $t_{h(MI)}$                 | Data input hold time  | Master mode  | 0.5                         | -                 | -                |      |
| $t_{h(SI)}$                 |   | Slave mode   | 2                           | -                 | -                |      |
| $t_{a(SO)}$                 | Data output access time   | Slave mode, SPI presc = 2  | 0                           | -                 | $4T_{PCLK}$      |      |
| $t_{dis(SO)}$               | Data output disable time  | Slave mode, SPI1/4/5/6,<br>$2.7 \text{ V} \leq V_{DD} \leq 3.6 \text{ V}$        | 0                           | -                 | 8.5              |      |
|                             |   | Slave mode, SPI1/2/3/4/5/6 and<br>$1.7 \text{ V} \leq V_{SS} \leq 3.6 \text{ V}$ | 0                           | -                 | 16.5             |      |

Table 63. SPI dynamic characteristics<sup>(1)</sup> (continued)

| Symbol                     | Parameter                   | Conditions  | Min | Typ  | Max  | Unit |
|----------------------------|-----------------------------|---|-----|------|------|------|
| $t_{v(SO)}$<br>$t_{h(SO)}$ | Data output valid/hold time | Slave mode (after enable edge), SPI1/4/5/6 and $2.7V \leq V_{DD} \leq 3.6V$   | -   | 11   | 13   | ns   |
|                            |                             | Slave mode (after enable edge), SPI2/3, $2.7V \leq V_{DD} \leq 3.6V$          | -   | 14   | 15   |      |
|                            |                             | Slave mode (after enable edge), SPI1/4/5/6, $1.7V \leq V_{SS} \leq 3.6V$      | -   | 15.5 | 19   |      |
|                            |                             | Slave mode (after enable edge), SPI2/3, $1.7V \leq V_{SS} \leq 3.6V$          | -   | 15.5 | 17.5 |      |
| $t_{v(MO)}$                | Data output valid time      | Master mode (after enable edge), SPI1/4/5/6, $2.7V \leq V_{DD} \leq 3.6V$     | -   | -    | 2.5  |      |
|                            |                             | Master mode (after enable edge), SPI1/2/3/4/5/6, $1.7V \leq V_{SS} \leq 3.6V$ | -   | -    | 4.5  |      |
| $t_{h(MO)}$                | Data output hold time       | Master mode (after enable edge)   | 0   | -    | -    |      |

1. Guaranteed by characterization results, not tested in production.
2. Maximum frequency in Slave transmitter mode is determined by the sum of  $t_{v(SO)}$  and  $t_{su(MI)}$  which has to fit into SCK low or high phase preceding the SCK sampling edge. This value can be achieved when the SPI communicates with a master having  $t_{su(MI)} = 0$  while Duty(SCK) = 50%

Figure 39. SPI timing diagram - slave mode and CPHA = 0

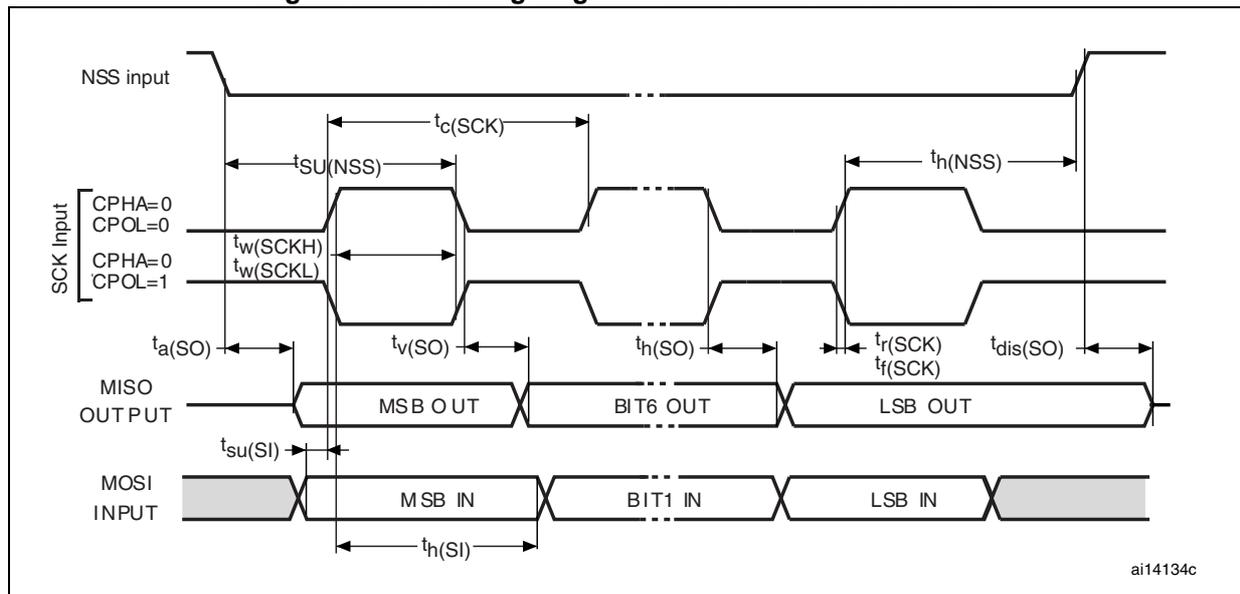
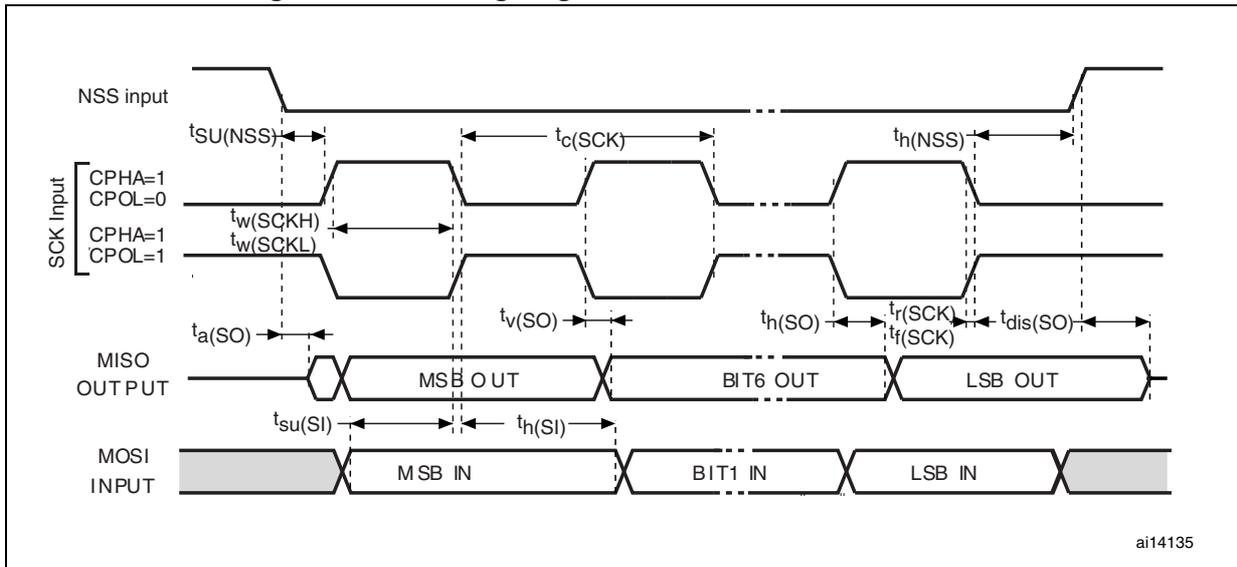
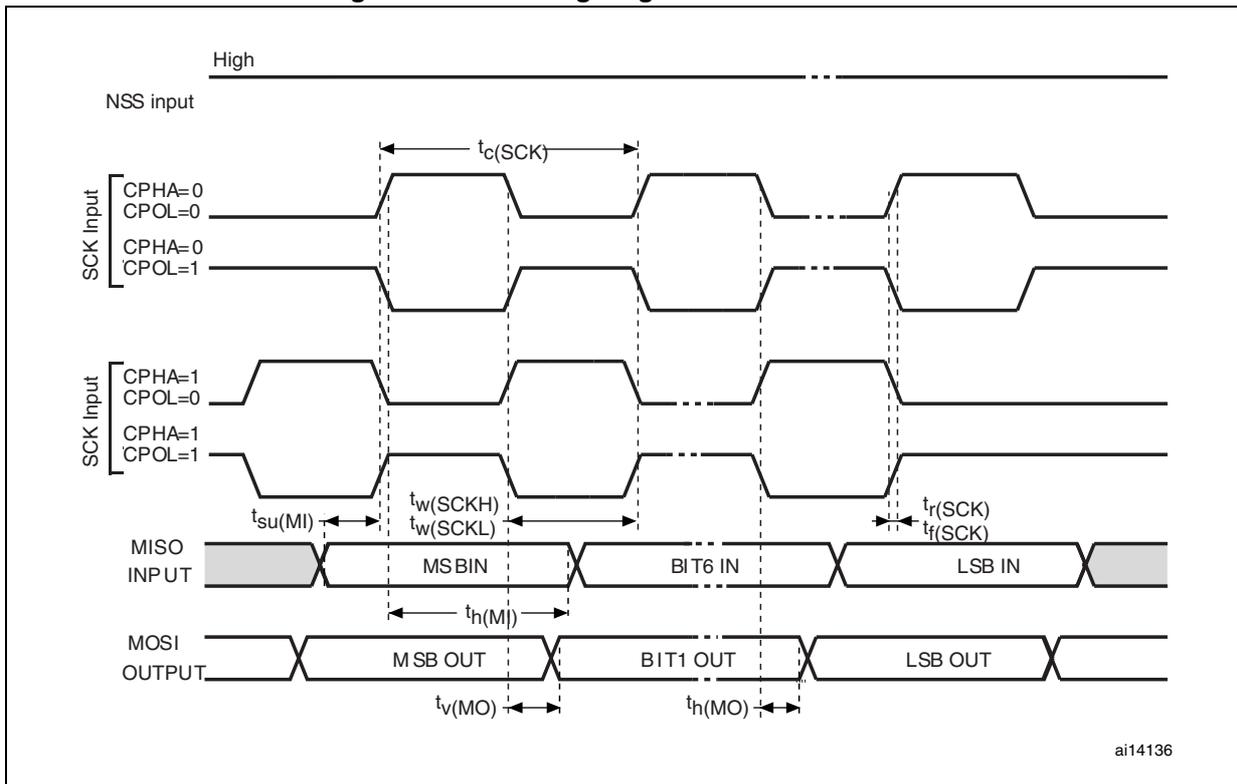


Figure 40. SPI timing diagram - slave mode and CPHA = 1<sup>(1)</sup>



ai14135

Figure 41. SPI timing diagram - master mode<sup>(1)</sup>



ai14136

### I<sup>2</sup>S interface characteristics

Unless otherwise specified, the parameters given in [Table 64](#) for the I<sup>2</sup>S interface are derived from tests performed under the ambient temperature,  $f_{PCLKX}$  frequency and  $V_{DD}$  supply voltage conditions summarized in [Table 17](#), with the following configuration:

- Output speed is set to  $OSPEEDRy[1:0] = 10$
- Capacitive load  $C = 30 \text{ pF}$
- Measurement points are done at CMOS levels:  $0.5V_{DD}$

Refer to [Section 6.3.17: I/O port characteristics](#) for more details on the input/output alternate function characteristics (CK, SD, WS).

**Table 64. I<sup>2</sup>S dynamic characteristics<sup>(1)</sup>**

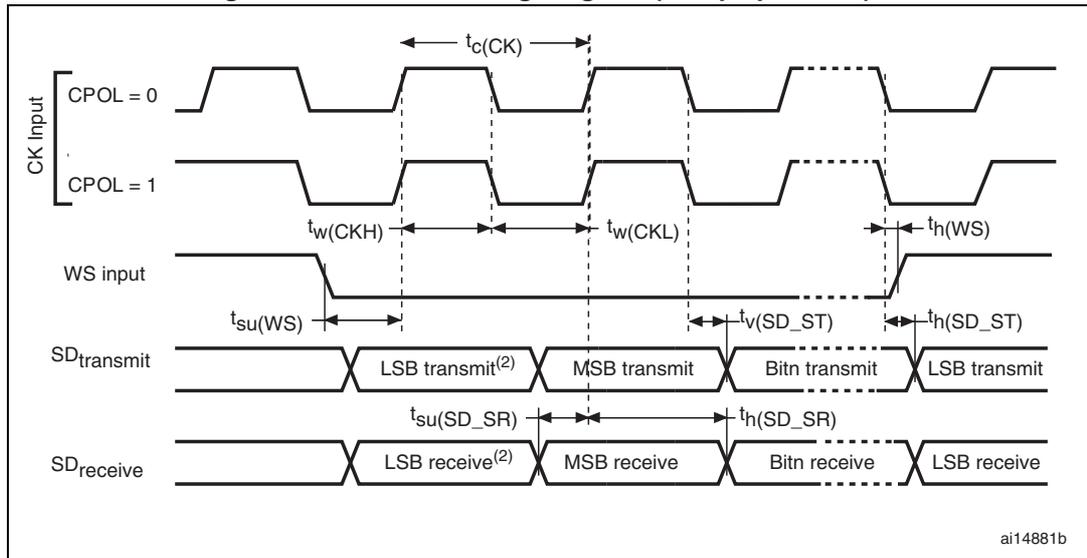
| Symbol           | Parameter                      | Conditions                             | Min    | Max                       | Unit |
|------------------|--------------------------------|--|--------|---------------------------|------|
| $f_{MCK}$        | I2S Main clock output          | -                                      | 256x8K | 256x $F_S$ <sup>(2)</sup> | MHz  |
| $f_{CK}$         | I2S clock frequency            | Master data: 32 bits                   | -      | 64x $F_S$                 | MHz  |
|                  |                                | Slave data: 32 bits                    | -      | 64x $F_S$                 |      |
| $D_{CK}$         | I2S clock frequency duty cycle | Slave receiver                         | 30     | 70                        | %    |
| $t_{v(WS)}$      | WS valid time                  | Master mode                            | 0      | 6                         | ns   |
| $t_{h(WS)}$      | WS hold time                   | Master mode                            | 0      | -                         |      |
| $t_{su(WS)}$     | WS setup time                  | Slave mode                             | 1      | -                         |      |
| $t_{h(WS)}$      | WS hold time                   | Slave mode                             | 0      | -                         |      |
| $t_{su(SD\_MR)}$ | Data input setup time          | Master receiver                        | 7.5    | -                         |      |
| $t_{su(SD\_SR)}$ |                                | Slave receiver                         | 2      | -                         |      |
| $t_{h(SD\_MR)}$  | Data input hold time           | Master receiver                        | 0      | -                         |      |
| $t_{h(SD\_SR)}$  |                                | Slave receiver                         | 0      | -                         |      |
| $t_{v(SD\_ST)}$  | Data output valid time         | Slave transmitter (after enable edge)  | -      | 27                        |      |
| $t_{h(SD\_ST)}$  |                                | Master transmitter (after enable edge) | -      | 20                        |      |
| $t_{v(SD\_MT)}$  |                                |  | -      | 20                        |      |
| $t_{h(SD\_MT)}$  | Data output hold time          | Master transmitter (after enable edge) | 2.5    | -                         |      |

1. Guaranteed by characterization results, not tested in production.
2. The maximum value of 256x $F_S$  is 45 MHz (APB1 maximum frequency).

**Note:** Refer to the I2S section of RM0090 reference manual for more details on the sampling frequency ( $F_S$ ).

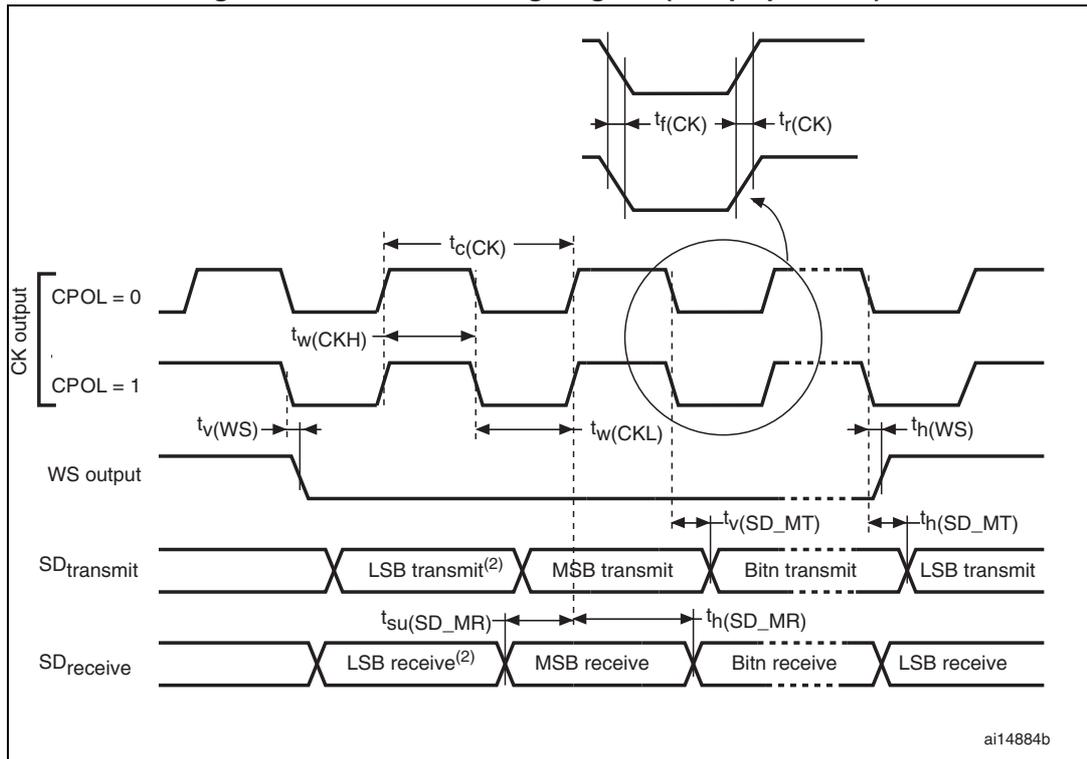
$f_{MCK}$ ,  $f_{CK}$ , and  $D_{CK}$  values reflect only the digital peripheral behavior. The values of these parameters might be slightly impacted by the source clock precision.  $D_{CK}$  depends mainly on the value of ODD bit. The digital contribution leads to a minimum value of  $(I2SDIV/(2*I2SDIV+ODD))$  and a maximum value of  $(I2SDIV+ODD)/(2*I2SDIV+ODD)$ .  $F_S$  maximum value is supported for each mode/condition.

Figure 42. I<sup>2</sup>S slave timing diagram (Philips protocol)<sup>(1)</sup>



1. .LSB transmit/receive of the previously transmitted byte. No LSB transmit/receive is sent before the first byte.

Figure 43. I<sup>2</sup>S master timing diagram (Philips protocol)<sup>(1)</sup>



1. LSB transmit/receive of the previously transmitted byte. No LSB transmit/receive is sent before the first byte.

**SAI characteristics**

Unless otherwise specified, the parameters given in [Table 65](#) for SAI are derived from tests performed under the ambient temperature,  $f_{PCLKx}$  frequency and VDD supply voltage conditions summarized in [Table 17](#), with the following configuration:

- Output speed is set to OSPEEDRy[1:0] = 10
- Capacitive load C=30 pF
- Measurement points are performed at CMOS levels: 0.5V<sub>DD</sub>

Refer to [Section 6.3.17: I/O port characteristics](#) for more details on the input/output alternate function characteristics (SCK,SD,WS).

**Table 65. SAI characteristics<sup>(1)</sup>**

| Symbol                 | Parameter                      | Conditions                             | Min      | Max                   | Unit |
|------------------------|--------------------------------|--|----------|-----------------------|------|
| f <sub>MCKL</sub>      | SAI Main clock output          | -                                      | 256 x 8K | 256xFs <sup>(2)</sup> | MHz  |
| F <sub>SCK</sub>       | SAI clock frequency            | Master data: 32 bits                   | -        | 64xFs                 | MHz  |
|                        |                                | Slave data: 32 bits                    | -        | 64xFs                 |      |
| D <sub>SCK</sub>       | SAI clock frequency duty cycle | Slave receiver                         | 30       | 70                    | %    |
| t <sub>v(FS)</sub>     | FS valid time                  | Master mode                            | 8        | 22                    | ns   |
| t <sub>su(FS)</sub>    | FS setup time                  | Slave mode                             | 2        | -                     |      |
| t <sub>h(FS)</sub>     | FS hold time                   | Master mode                            | 8        | -                     |      |
|                        |                                | Slave mode                             | 0        | -                     |      |
| t <sub>su(SD_MR)</sub> | Data input setup time          | Master receiver                        | 5        | -                     |      |
| t <sub>su(SD_SR)</sub> |                                | Slave receiver                         | 3        | -                     |      |
| t <sub>h(SD_MR)</sub>  | Data input hold time           | Master receiver                        | 0        | -                     |      |
| t <sub>h(SD_SR)</sub>  |                                | Slave receiver                         | 0        | -                     |      |
| t <sub>v(SD_ST)</sub>  | Data output valid time         | Slave transmitter (after enable edge)  | -        | 22                    |      |
| t <sub>h(SD_ST)</sub>  |                                | Master transmitter (after enable edge) | -        | 20                    |      |
| t <sub>v(SD_MT)</sub>  | Data output hold time          | Master transmitter (after enable edge) | 8        | -                     |      |
| t <sub>h(SD_MT)</sub>  |                                |  |          |                       |      |

1. Guaranteed by characterization results, not tested in production.  
 2. 256xFs maximum corresponds to 45 MHz (APB2 xaximum frequency)

Figure 44. SAI master timing waveforms

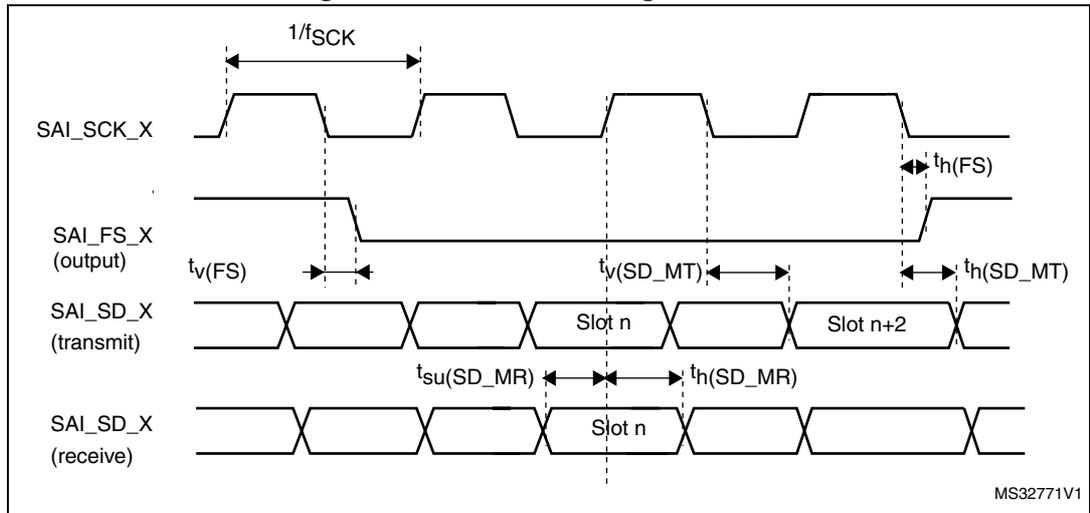
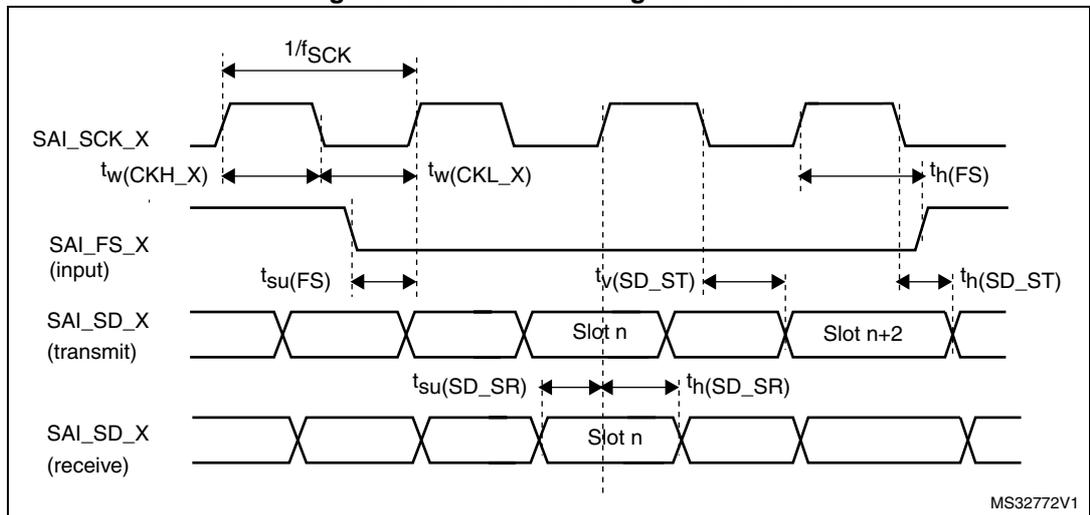


Figure 45. SAI slave timing waveforms



**USB OTG full speed (FS) characteristics**

This interface is present in both the USB OTG HS and USB OTG FS controllers.

**Table 66. USB OTG full speed startup time**

| Symbol              | Parameter                                   | Max | Unit    |
|---------------------|---|-----|---------|
| $t_{STARTUP}^{(1)}$ | USB OTG full speed transceiver startup time | 1   | $\mu s$ |

1. Guaranteed by design, not tested in production.

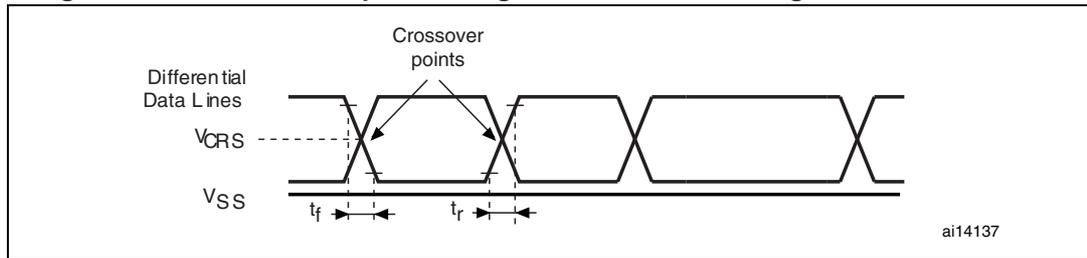
**Table 67. USB OTG full speed DC electrical characteristics**

| Symbol        | Parameter   | Conditions                                       | Min. <sup>(1)</sup>                             | Typ. | Max. <sup>(1)</sup> | Unit       |   |
|---------------|---|--|---|------|---------------------|------------|---|
| Input levels  | $V_{DD}$  | USB OTG full speed transceiver operating voltage | 3.0 <sup>(2)</sup>                              | -    | 3.6                 | V          |   |
|               | $V_{DI}^{(3)}$                                      | Differential input sensitivity                   | I(USB_FS_DP/DM, USB_HS_DP/DM)                   | 0.2  | -                   | -          | V |
|               | $V_{CM}^{(3)}$                                      | Differential common mode range                   | Includes $V_{DI}$ range                         | 0.8  | -                   | 2.5        |   |
|               | $V_{SE}^{(3)}$                                      | Single ended receiver threshold                  |   | 1.3  | -                   | 2.0        |   |
| Output levels | $V_{OL}$  | Static output level low                          | $R_L$ of 1.5 k $\Omega$ to 3.6 V <sup>(4)</sup> | -    | -                   | 0.3        | V |
|               | $V_{OH}$  | Static output level high                         | $R_L$ of 15 k $\Omega$ to $V_{SS}^{(4)}$        | 2.8  | -                   | 3.6        |   |
| $R_{PD}$      | PA11, PA12, PB14, PB15 (USB_FS_DP/DM, USB_HS_DP/DM) | $V_{IN} = V_{DD}$                                | 17  | 21   | 24                  | k $\Omega$ |   |
|               | PA9, PB13 (OTG_FS_VBUS, OTG_HS_VBUS)                |  | 0.65  | 1.1  | 2.0                 |            |   |
| $R_{PU}$      | PA12, PB15 (USB_FS_DP, USB_HS_DP)                   | $V_{IN} = V_{SS}$                                | 1.5   | 1.8  | 2.1                 |            |   |
|               | PA9, PB13 (OTG_FS_VBUS, OTG_HS_VBUS)                | $V_{IN} = V_{SS}$                                | 0.25  | 0.37 | 0.55                |            |   |

1. All the voltages are measured from the local ground potential.
2. The USB OTG full speed transceiver functionality is ensured down to 2.7 V but not the full USB full speed electrical characteristics which are degraded in the 2.7-to-3.0 V  $V_{DD}$  voltage range.
3. Guaranteed by design, not tested in production.
4.  $R_L$  is the load connected on the USB OTG full speed drivers.

*Note:* When VBUS sensing feature is enabled, PA9 and PB13 should be left at their default state (floating input), not as alternate function. A typical 200  $\mu A$  current consumption of the sensing block (current to voltage conversion to determine the different sessions) can be observed on PA9 and PB13 when the feature is enabled.

**Figure 46. USB OTG full speed timings: definition of data signal rise and fall time**



**Table 68. USB OTG full speed electrical characteristics<sup>(1)</sup>**

| Driver characteristics |  |                       |     |     |          |
|------------------------|--|-----------------------|-----|-----|----------|
| Symbol                 | Parameter                              | Conditions            | Min | Max | Unit     |
| $t_r$                  | Rise time <sup>(2)</sup>               | $C_L = 50 \text{ pF}$ | 4   | 20  | ns       |
| $t_f$                  | Fall time <sup>(2)</sup>               | $C_L = 50 \text{ pF}$ | 4   | 20  | ns       |
| $t_{rfm}$              | Rise/ fall time matching               | $t_r/t_f$             | 90  | 110 | %        |
| $V_{CRS}$              | Output signal crossover voltage        |                       | 1.3 | 2.0 | V        |
| $Z_{DRV}$              | Output driver impedance <sup>(3)</sup> | Driving high or low   | 28  | 44  | $\Omega$ |

1. Guaranteed by design, not tested in production.
2. Measured from 10% to 90% of the data signal. For more detailed informations, please refer to USB Specification - Chapter 7 (version 2.0).
3. No external termination series resistors are required on DP (D+) and DM (D-) pins since the matching impedance is included in the embedded driver.

**USB high speed (HS) characteristics**

Unless otherwise specified, the parameters given in [Table 71](#) for ULPI are derived from tests performed under the ambient temperature,  $f_{HCLK}$  frequency summarized in [Table 70](#) and  $V_{DD}$  supply voltage conditions summarized in [Table 69](#), with the following configuration:

- Output speed is set to  $OSPEEDRy[1:0] = 10$ , unless otherwise specified
- Capacitive load  $C = 30 \text{ pF}$ , unless otherwise specified
- Measurement points are done at CMOS levels:  $0.5V_{DD}$ .

Refer to [Section 6.3.17: I/O port characteristics](#) for more details on the input/output characteristics.

**Table 69. USB HS DC electrical characteristics**

| Symbol               | Parameter                    | Min. <sup>(1)</sup> | Max. <sup>(1)</sup> | Unit |
|----------------------|------------------------------|---------------------|---------------------|------|
| Input level $V_{DD}$ | USB OTG HS operating voltage | 1.7                 | 3.6                 | V    |

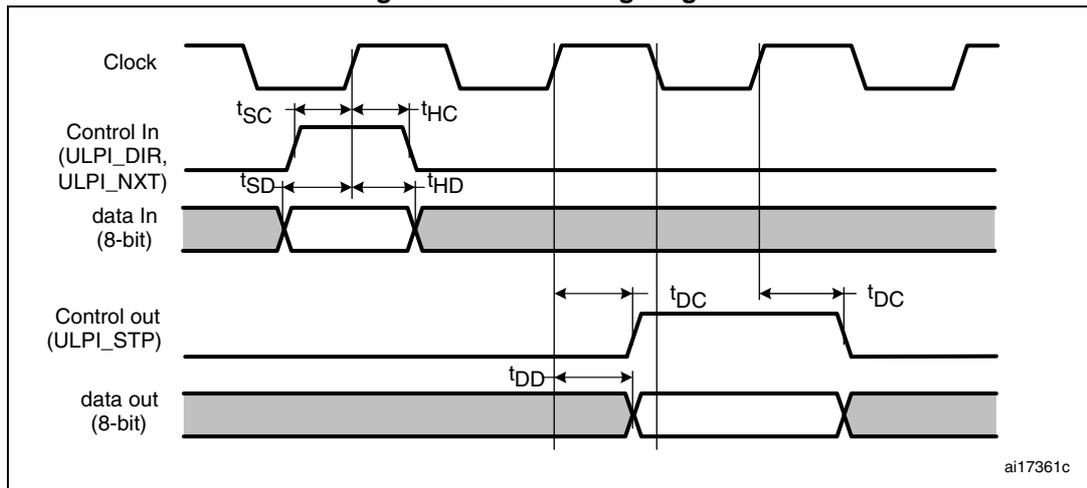
1. All the voltages are measured from the local ground potential.

Table 70. USB HS clock timing parameters<sup>(1)</sup>

| Symbol                  | Parameter  |            | Min    | Typ | Max    | Unit |
|-------------------------|--|------------|--------|-----|--------|------|
|                         | f <sub>HCLK</sub> value to guarantee proper operation of USB HS interface          |            | 30     | -   | -      | MHz  |
| F <sub>START_8BIT</sub> | Frequency (first transition)   | 8-bit ±10% | 54     | 60  | 66     | MHz  |
| F <sub>STEADY</sub>     | Frequency (steady state) ±500 ppm  |            | 59.97  | 60  | 60.03  | MHz  |
| D <sub>START_8BIT</sub> | Duty cycle (first transition)  | 8-bit ±10% | 40     | 50  | 60     | %    |
| D <sub>STEADY</sub>     | Duty cycle (steady state) ±500 ppm   |            | 49.975 | 50  | 50.025 | %    |
| t <sub>STEADY</sub>     | Time to reach the steady state frequency and duty cycle after the first transition |            | -      | -   | 1.4    | ms   |
| t <sub>START_DEV</sub>  | Clock startup time after the de-assertion of SuspendM                              | Peripheral | -      | -   | 5.6    | ms   |
| t <sub>START_HOST</sub> |  | Host       | -      | -   | -      |      |
| t <sub>PREP</sub>       | PHY preparation time after the first transition of the input clock                 |            | -      | -   | -      | µs   |

1. Guaranteed by design, not tested in production.

Figure 47. ULPI timing diagram



ai17361c

Table 71. Dynamic characteristics: USB ULPI<sup>(1)</sup>

| Symbol          | Parameter                                  | Conditions   | Min. | Typ. | Max. | Unit |
|-----------------|--|--|------|------|------|------|
| $t_{SC}$        | Control in (ULPI_DIR, ULPI_NXT) setup time |  | 2    | -    | -    | ns   |
| $t_{HC}$        | Control in (ULPI_DIR, ULPI_NXT) hold time  |  | 0.5  | -    | -    |      |
| $t_{SD}$        | Data in setup time                         |  | 1.5  | -    | -    |      |
| $t_{HD}$        | Data in hold time                          |  | 2    | -    | -    |      |
| $t_{DC}/t_{DD}$ | Data/control output delay                  | 2.7 V < $V_{DD}$ < 3.6 V,<br>$C_L$ = 15 pF and<br>OSPEEDRy[1:0] = 11 | -    | 9    | 9.5  |      |
|                 |  | 2.7 V < $V_{DD}$ < 3.6 V,<br>$C_L$ = 20 pF and<br>OSPEEDRy[1:0] = 10 | -    | 12   | 15   |      |
|                 |  | 1.7 V < $V_{DD}$ < 3.6 V,<br>$C_L$ = 15 pF and<br>OSPEEDRy[1:0] = 11 | -    |      |      |      |

1. Guaranteed by characterization results, not tested in production.

**Ethernet characteristics**

Unless otherwise specified, the parameters given in [Table 73](#), [Table 74](#) and [Table 75](#) for SMI, RMII and MII are derived from tests performed under the ambient temperature,  $f_{HCLK}$  frequency summarized in [Table 17](#) and  $V_{DD}$  supply voltage conditions summarized in [Table 72](#), with the following configuration:

- Output speed is set to  $OSPEEDRy[1:0] = 10$
- Capacitive load  $C = 30\text{ pF}$
- Measurement points are done at CMOS levels:  $0.5V_{DD}$ .

Refer to [Section 6.3.17: I/O port characteristics](#) for more details on the input/output characteristics.

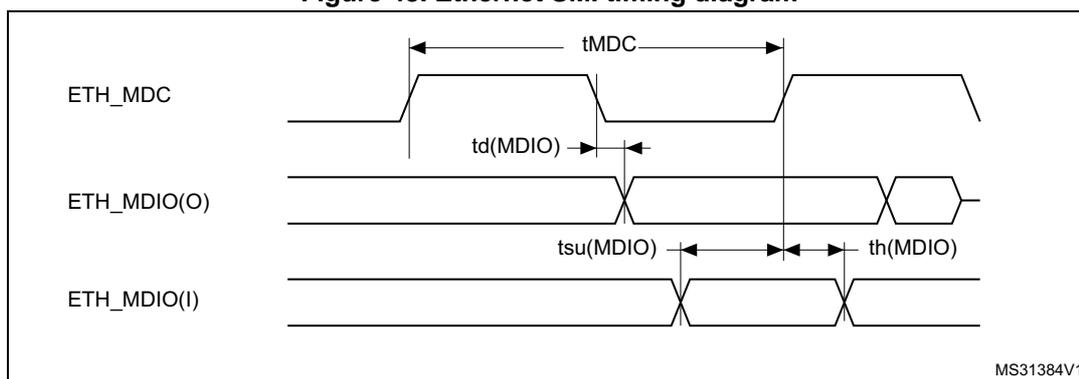
**Table 72. Ethernet DC electrical characteristics**

| Symbol      |          | Parameter                  | Min. <sup>(1)</sup> | Max. <sup>(1)</sup> | Unit |
|-------------|----------|----------------------------|---------------------|---------------------|------|
| Input level | $V_{DD}$ | Ethernet operating voltage | 2.7                 | 3.6                 | V    |

1. All the voltages are measured from the local ground potential.

[Table 73](#) gives the list of Ethernet MAC signals for the SMI (station management interface) and [Figure 48](#) shows the corresponding timing diagram.

**Figure 48. Ethernet SMI timing diagram**



**Table 73. Dynamics characteristics: Ethernet MAC signals for SMI<sup>(1)</sup>**

| Symbol         | Parameter                | Min | Typ | Max | Unit |
|----------------|--------------------------|-----|-----|-----|------|
| $t_{MDC}$      | MDC cycle time(2.38 MHz) | 411 | 420 | 425 | ns   |
| $T_d(MDIO)$    | Write data valid time    | 6   | 10  | 13  |      |
| $t_{su}(MDIO)$ | Read data setup time     | 12  | -   | -   |      |
| $t_h(MDIO)$    | Read data hold time      | 0   | -   | -   |      |

1. Guaranteed by characterization results, not tested in production.

[Table 74](#) gives the list of Ethernet MAC signals for the RMII and [Figure 49](#) shows the corresponding timing diagram.

Figure 49. Ethernet RMII timing diagram

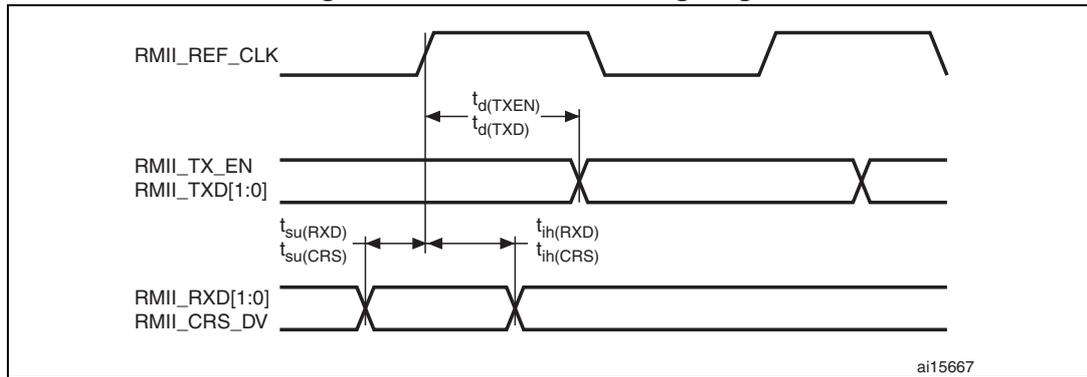


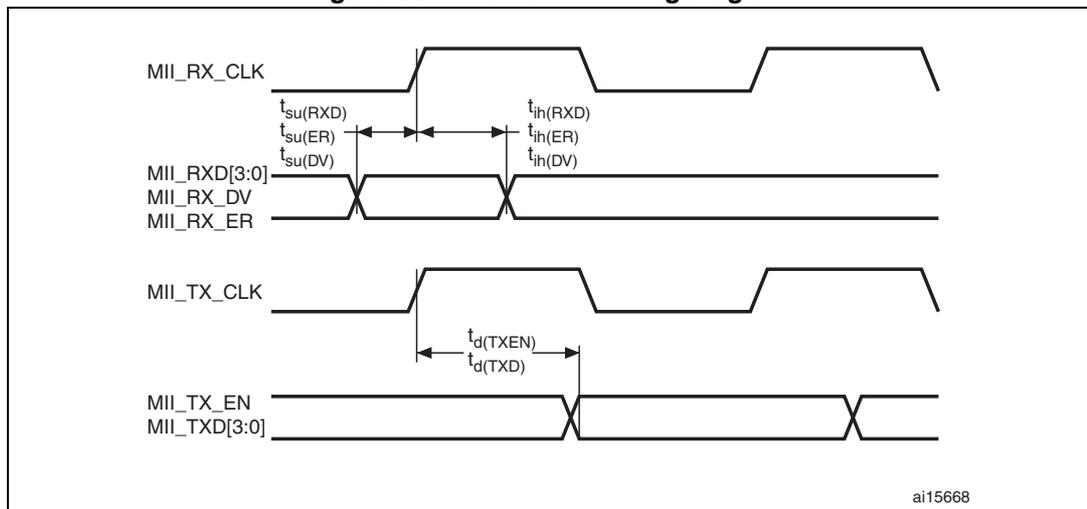
Table 74. Dynamics characteristics: Ethernet MAC signals for RMII<sup>(1)</sup>

| Symbol        | Parameter                        | Min | Typ  | Max  | Unit |
|---------------|----------------------------------|-----|------|------|------|
| $t_{su}(RXD)$ | Receive data setup time          | 1.5 | -    | -    | ns   |
| $t_{h}(RXD)$  | Receive data hold time           | 0   | -    | -    |      |
| $t_{su}(CRS)$ | Carrier sense setup time         | 1   | -    | -    |      |
| $t_{h}(CRS)$  | Carrier sense hold time          | 1   | -    | -    |      |
| $t_d(TXEN)$   | Transmit enable valid delay time | 0   | 10.5 | 12   |      |
| $t_d(TXD)$    | Transmit data valid delay time   | 0   | 11   | 12.5 |      |

1. Guaranteed by characterization results, not tested in production.

Table 75 gives the list of Ethernet MAC signals for MII and Figure 49 shows the corresponding timing diagram.

Figure 50. Ethernet MII timing diagram



**Table 75. Dynamics characteristics: Ethernet MAC signals for MII<sup>(1)</sup>**

| Symbol                | Parameter                        | Min | Typ | Max | Unit |
|-----------------------|----------------------------------|-----|-----|-----|------|
| t <sub>su</sub> (RXD) | Receive data setup time          | 9   |     | -   | ns   |
| t <sub>ih</sub> (RXD) | Receive data hold time           | 10  |     | -   |      |
| t <sub>su</sub> (DV)  | Data valid setup time            | 9   |     | -   |      |
| t <sub>ih</sub> (DV)  | Data valid hold time             | 8   |     | -   |      |
| t <sub>su</sub> (ER)  | Error setup time                 | 6   |     | -   |      |
| t <sub>ih</sub> (ER)  | Error hold time                  | 8   |     | -   |      |
| t <sub>d</sub> (TXEN) | Transmit enable valid delay time | 0   | 10  | 14  |      |
| t <sub>d</sub> (TXD)  | Transmit data valid delay time   | 0   | 10  | 15  |      |

1. Guaranteed by characterization results, not tested in production.

### CAN (controller area network) interface

Refer to [Section 6.3.17: I/O port characteristics](#) for more details on the input/output alternate function characteristics (CANx\_TX and CANx\_RX).

#### 6.3.21 12-bit ADC characteristics

Unless otherwise specified, the parameters given in [Table 76](#) are derived from tests performed under the ambient temperature, f<sub>PCLK2</sub> frequency and V<sub>DDA</sub> supply voltage conditions summarized in [Table 17](#).

**Table 76. ADC characteristics**

| Symbol                             | Parameter                               | Conditions                                      | Min  | Typ | Max               | Unit               |
|------------------------------------|---|---|--|-----|-------------------|--------------------|
| V <sub>DDA</sub>                   | Power supply                            | V <sub>DDA</sub> - V <sub>REF+</sub> < 1.2 V    | 1.7 <sup>(1)</sup>                                       | -   | 3.6               | V                  |
| V <sub>REF+</sub>                  | Positive reference voltage              |   | 1.7 <sup>(1)</sup>                                       | -   | V <sub>DDA</sub>  | V                  |
| f <sub>ADC</sub>                   | ADC clock frequency                     | V <sub>DDA</sub> = 1.7 <sup>(1)</sup> to 2.4 V  | 0.6  | 15  | 18                | MHz                |
|                                    |   | V <sub>DDA</sub> = 2.4 to 3.6 V                 | 0.6  | 30  | 36                | MHz                |
| f <sub>TRIG</sub> <sup>(2)</sup>   | External trigger frequency              | f <sub>ADC</sub> = 30 MHz,<br>12-bit resolution | -  | -   | 1764              | kHz                |
|                                    |   |   | -  | -   | 17                | 1/f <sub>ADC</sub> |
| V <sub>AIN</sub>                   | Conversion voltage range <sup>(3)</sup> |   | 0 (V <sub>SSA</sub> or V <sub>REF-</sub> tied to ground) | -   | V <sub>REF+</sub> | V                  |
| R <sub>AIN</sub> <sup>(2)</sup>    | External input impedance                | See <a href="#">Equation 1</a> for details      | -  | -   | 50                | kΩ                 |
| R <sub>ADC</sub> <sup>(2)(4)</sup> | Sampling switch resistance              |   | -  | -   | 6                 | kΩ                 |
| C <sub>ADC</sub> <sup>(2)</sup>    | Internal sample and hold capacitor      |   | -  | 4   | 7                 | pF                 |
| t <sub>lat</sub> <sup>(2)</sup>    | Injection trigger conversion latency    | f <sub>ADC</sub> = 30 MHz                       | -  | -   | 0.100             | μs                 |
|                                    |   |   | -  | -   | 3 <sup>(5)</sup>  | 1/f <sub>ADC</sub> |

Table 76. ADC characteristics (continued)

| Symbol            | Parameter   | Conditions   | Min   | Typ | Max       | Unit          |
|-------------------|---|--|-------|-----|-----------|---------------|
| $t_{latr}^{(2)}$  | Regular trigger conversion latency  | $f_{ADC} = 30\text{ MHz}$  | -     | -   | 0.067     | $\mu\text{s}$ |
|                   |   |  | -     | -   | $2^{(5)}$ | $1/f_{ADC}$   |
| $t_S^{(2)}$       | Sampling time   | $f_{ADC} = 30\text{ MHz}$  | 0.100 | -   | 16        | $\mu\text{s}$ |
|                   |   |  | 3     | -   | 480       | $1/f_{ADC}$   |
| $t_{STAB}^{(2)}$  | Power-up time   |  | -     | 2   | 3         | $\mu\text{s}$ |
| $t_{CONV}^{(2)}$  | Total conversion time (including sampling time)                                     | $f_{ADC} = 30\text{ MHz}$<br>12-bit resolution                                 | 0.50  | -   | 16.40     | $\mu\text{s}$ |
|                   |   | $f_{ADC} = 30\text{ MHz}$<br>10-bit resolution                                 | 0.43  | -   | 16.34     | $\mu\text{s}$ |
|                   |   | $f_{ADC} = 30\text{ MHz}$<br>8-bit resolution                                  | 0.37  | -   | 16.27     | $\mu\text{s}$ |
|                   |   | $f_{ADC} = 30\text{ MHz}$<br>6-bit resolution                                  | 0.30  | -   | 16.20     | $\mu\text{s}$ |
|                   |   | 9 to 492 ( $t_S$ for sampling + n-bit resolution for successive approximation) |       |     |           |               |
| $f_S^{(2)}$       | Sampling rate<br>( $f_{ADC} = 30\text{ MHz}$ , and<br>$t_S = 3\text{ ADC cycles}$ ) | 12-bit resolution<br>Single ADC  | -     | -   | 2         | MspS          |
|                   |   | 12-bit resolution<br>Interleave Dual ADC mode                                  | -     | -   | 3.75      | MspS          |
|                   |   | 12-bit resolution<br>Interleave Triple ADC mode                                | -     | -   | 6         | MspS          |
| $I_{VREF+}^{(2)}$ | ADC $V_{REF}$ DC current consumption in conversion mode                             |  | -     | 300 | 500       | $\mu\text{A}$ |
| $I_{VDDA}^{(2)}$  | ADC $V_{DDA}$ DC current consumption in conversion mode                             |  | -     | 1.6 | 1.8       | mA            |

- $V_{DDA}$  minimum value of 1.7 V is obtained with the use of an external power supply supervisor (refer to [Section 3.17.2: Internal reset OFF](#)).
- Based on characterization, not tested in production.
- $V_{REF+}$  is internally connected to  $V_{DDA}$  and  $V_{REF-}$  is internally connected to  $V_{SSA}$ .
- $R_{ADC}$  maximum value is given for  $V_{DD}=1.7\text{ V}$ , and minimum value for  $V_{DD}=3.3\text{ V}$ .
- For external triggers, a delay of  $1/f_{PCLK2}$  must be added to the latency specified in [Table 76](#).

Equation 1:  $R_{AIN}$  max formula

$$R_{AIN} = \frac{(k - 0.5)}{f_{ADC} \times C_{ADC} \times \ln(2^{N+2})} - R_{ADC}$$

The formula above (*Equation 1*) is used to determine the maximum external impedance allowed for an error below 1/4 of LSB. N = 12 (from 12-bit resolution) and k is the number of sampling periods defined in the ADC\_SMPR1 register.

**Table 77. ADC static accuracy at  $f_{ADC} = 18\text{ MHz}^{(1)}$**

| Symbol | Parameter                    | Test conditions   | Typ | Max <sup>(2)</sup> | Unit |
|--------|------------------------------|---|-----|--------------------|------|
| ET     | Total unadjusted error       | $f_{ADC} = 18\text{ MHz}$<br>$V_{DDA} = 1.7\text{ to }3.6\text{ V}$<br>$V_{REF} = 1.7\text{ to }3.6\text{ V}$<br>$V_{DDA} - V_{REF} < 1.2\text{ V}$ | ±3  | ±4                 | LSB  |
| EO     | Offset error                 |   | ±2  | ±3                 |      |
| EG     | Gain error                   |   | ±1  | ±3                 |      |
| ED     | Differential linearity error |   | ±1  | ±2                 |      |
| EL     | Integral linearity error     |   | ±2  | ±3                 |      |

1. Better performance could be achieved in restricted  $V_{DD}$ , frequency and temperature ranges.
2. Based on characterization, not tested in production.

**Table 78. ADC static accuracy at  $f_{ADC} = 30\text{ MHz}^{(1)}$**

| Symbol | Parameter                    | Test conditions  | Typ  | Max <sup>(2)</sup> | Unit |
|--------|------------------------------|--|------|--------------------|------|
| ET     | Total unadjusted error       | $f_{ADC} = 30\text{ MHz}$ ,<br>$R_{AIN} < 10\text{ k}\Omega$ ,<br>$V_{DDA} = 2.4\text{ to }3.6\text{ V}$ ,<br>$V_{REF} = 1.7\text{ to }3.6\text{ V}$ ,<br>$V_{DDA} - V_{REF} < 1.2\text{ V}$ | ±2   | ±5                 | LSB  |
| EO     | Offset error                 |  | ±1.5 | ±2.5               |      |
| EG     | Gain error                   |  | ±1.5 | ±3                 |      |
| ED     | Differential linearity error |  | ±1   | ±2                 |      |
| EL     | Integral linearity error     |  | ±1.5 | ±3                 |      |

1. Better performance could be achieved in restricted  $V_{DD}$ , frequency and temperature ranges.
2. Based on characterization, not tested in production.

**Table 79. ADC static accuracy at  $f_{ADC} = 36\text{ MHz}^{(1)}$**

| Symbol | Parameter                    | Test conditions   | Typ | Max <sup>(2)</sup> | Unit |
|--------|------------------------------|---|-----|--------------------|------|
| ET     | Total unadjusted error       | $f_{ADC} = 36\text{ MHz}$ ,<br>$V_{DDA} = 2.4\text{ to }3.6\text{ V}$ ,<br>$V_{REF} = 1.7\text{ to }3.6\text{ V}$<br>$V_{DDA} - V_{REF} < 1.2\text{ V}$ | ±4  | ±7                 | LSB  |
| EO     | Offset error                 |   | ±2  | ±3                 |      |
| EG     | Gain error                   |   | ±3  | ±6                 |      |
| ED     | Differential linearity error |   | ±2  | ±3                 |      |
| EL     | Integral linearity error     |   | ±3  | ±6                 |      |

1. Better performance could be achieved in restricted  $V_{DD}$ , frequency and temperature ranges.
2. Based on characterization, not tested in production.

**Table 80. ADC dynamic accuracy at  $f_{ADC} = 18$  MHz - limited test conditions<sup>(1)</sup>**

| Symbol | Parameter                            | Test conditions   | Min  | Typ  | Max | Unit |
|--------|--------------------------------------|---|------|------|-----|------|
| ENOB   | Effective number of bits             | $f_{ADC} = 18$ MHz<br>$V_{DDA} = V_{REF+} = 1.7$ V<br>Input Frequency = 20 KHz<br>Temperature = 25 °C | 10.3 | 10.4 | -   | bits |
| SINAD  | Signal-to-noise and distortion ratio |   | 64   | 64.2 | -   | dB   |
| SNR    | Signal-to-noise ratio                |   | 64   | 65   | -   |      |
| THD    | Total harmonic distortion            |   | -67  | -72  | -   |      |

1. Guaranteed by characterization results, not tested in production.

**Table 81. ADC dynamic accuracy at  $f_{ADC} = 36$  MHz - limited test conditions<sup>(1)</sup>**

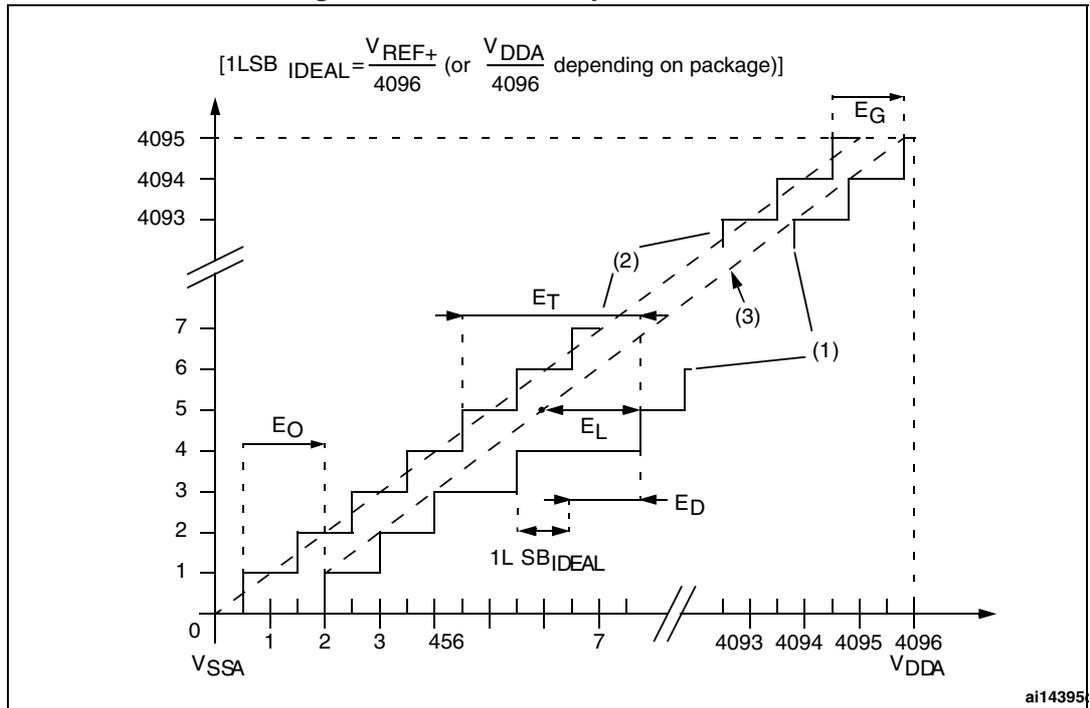
| Symbol | Parameter                            | Test conditions   | Min  | Typ  | Max | Unit |
|--------|--------------------------------------|---|------|------|-----|------|
| ENOB   | Effective number of bits             | $f_{ADC} = 36$ MHz<br>$V_{DDA} = V_{REF+} = 3.3$ V<br>Input Frequency = 20 KHz<br>Temperature = 25 °C | 10.6 | 10.8 | -   | bits |
| SINAD  | Signal-to noise and distortion ratio |   | 66   | 67   | -   | dB   |
| SNR    | Signal-to noise ratio                |   | 64   | 68   | -   |      |
| THD    | Total harmonic distortion            |   | -70  | -72  | -   |      |

1. Guaranteed by characterization results, not tested in production.

Note: ADC accuracy vs. negative injection current: injecting a negative current on any analog input pins should be avoided as this significantly reduces the accuracy of the conversion being performed on another analog input. It is recommended to add a Schottky diode (pin to ground) to analog pins which may potentially inject negative currents.

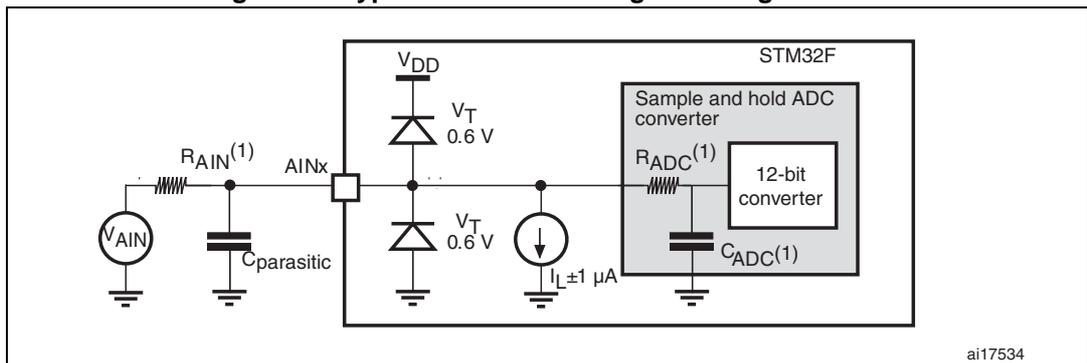
Any positive injection current within the limits specified for  $I_{INJ(PIN)}$  and  $\Sigma I_{INJ(PIN)}$  in [Section 6.3.17](#) does not affect the ADC accuracy.

Figure 51. ADC accuracy characteristics



1. See also [Table 78](#).
2. Example of an actual transfer curve.
3. Ideal transfer curve.
4. End point correlation line.
5.  $E_T$  = Total Unadjusted Error: maximum deviation between the actual and the ideal transfer curves.  
 $E_O$  = Offset Error: deviation between the first actual transition and the first ideal one.  
 $E_G$  = Gain Error: deviation between the last ideal transition and the last actual one.  
 $E_D$  = Differential Linearity Error: maximum deviation between actual steps and the ideal one.  
 $E_L$  = Integral Linearity Error: maximum deviation between any actual transition and the end point correlation line.

Figure 52. Typical connection diagram using the ADC

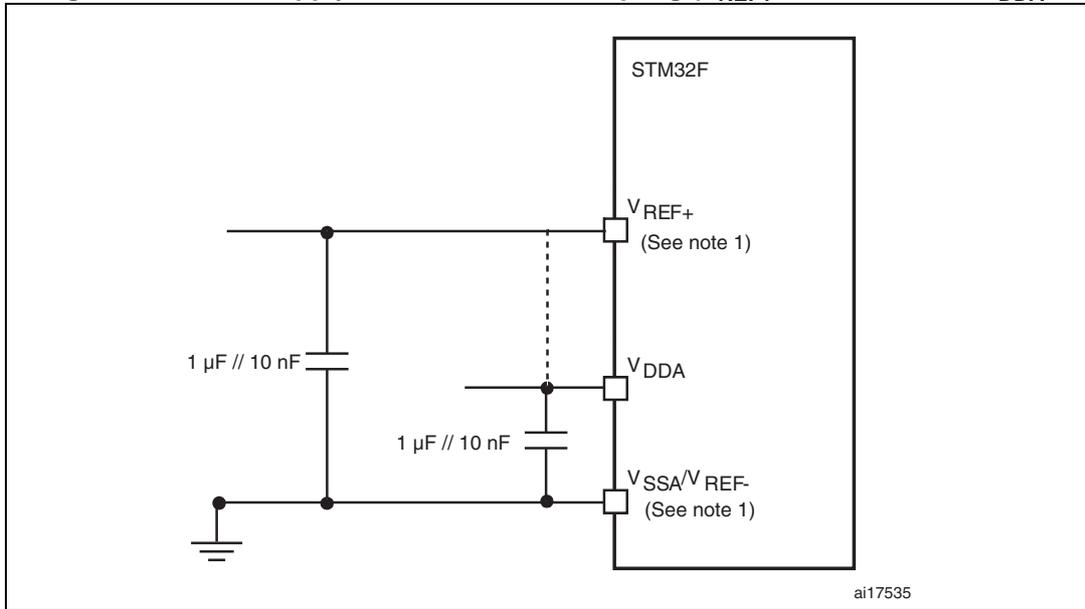


1. Refer to [Table 76](#) for the values of  $R_{AIN}$ ,  $R_{ADC}$  and  $C_{ADC}$ .
2.  $C_{parasitic}$  represents the capacitance of the PCB (dependent on soldering and PCB layout quality) plus the pad capacitance (roughly 5 pF). A high  $C_{parasitic}$  value downgrades conversion accuracy. To remedy this,  $f_{ADC}$  should be reduced.

**General PCB design guidelines**

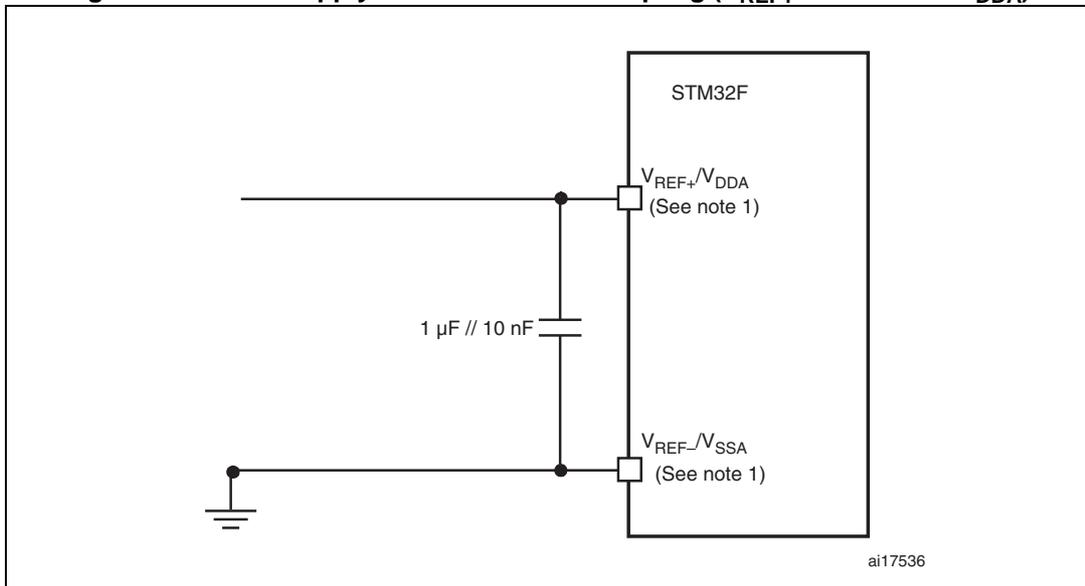
Power supply decoupling should be performed as shown in [Figure 53](#) or [Figure 54](#), depending on whether  $V_{REF+}$  is connected to  $V_{DDA}$  or not. The 10 nF capacitors should be ceramic (good quality). They should be placed them as close as possible to the chip.

**Figure 53. Power supply and reference decoupling ( $V_{REF+}$  not connected to  $V_{DDA}$ )**



1.  $V_{REF+}$  and  $V_{REF-}$  inputs are both available on UFBGA176.  $V_{REF+}$  is also available on LQFP100, LQFP144, and LQFP176. When  $V_{REF+}$  and  $V_{REF-}$  are not available, they are internally connected to  $V_{DDA}$  and  $V_{SSA}$ .

**Figure 54. Power supply and reference decoupling ( $V_{REF+}$  connected to  $V_{DDA}$ )**



1.  $V_{REF+}$  and  $V_{REF-}$  inputs are both available on UFBGA176.  $V_{REF+}$  is also available on LQFP100, LQFP144, and LQFP176. When  $V_{REF+}$  and  $V_{REF-}$  are not available, they are internally connected to  $V_{DDA}$  and  $V_{SSA}$ .

### 6.3.22 Temperature sensor characteristics

**Table 82. Temperature sensor characteristics**

| Symbol                   | Parameter  | Min | Typ     | Max     | Unit                   |
|--------------------------|--|-----|---------|---------|------------------------|
| $T_L^{(1)}$              | $V_{SENSE}$ linearity with temperature   | -   | $\pm 1$ | $\pm 2$ | $^{\circ}\text{C}$     |
| Avg_Slope <sup>(1)</sup> | Average slope  | -   | 2.5     |         | mV/ $^{\circ}\text{C}$ |
| $V_{25}^{(1)}$           | Voltage at 25 $^{\circ}\text{C}$   | -   | 0.76    |         | V                      |
| $t_{START}^{(2)}$        | Startup time   | -   | 6       | 10      | $\mu\text{s}$          |
| $T_{S\_temp}^{(2)}$      | ADC sampling time when reading the temperature (1 $^{\circ}\text{C}$ accuracy) | 10  | -       | -       | $\mu\text{s}$          |

1. Based on characterization, not tested in production.
2. Guaranteed by design, not tested in production.

**Table 83. Temperature sensor calibration values**

| Symbol  | Parameter  | Memory address            |
|---------|--|---------------------------|
| TS_CAL1 | TS ADC raw data acquired at temperature of 30 $^{\circ}\text{C}$ , $V_{DDA} = 3.3\text{ V}$  | 0x1FFF 7A2C - 0x1FFF 7A2D |
| TS_CAL2 | TS ADC raw data acquired at temperature of 110 $^{\circ}\text{C}$ , $V_{DDA} = 3.3\text{ V}$ | 0x1FFF 7A2E - 0x1FFF 7A2F |

### 6.3.23 $V_{BAT}$ monitoring characteristics

**Table 84.  $V_{BAT}$  monitoring characteristics**

| Symbol                 | Parameter   | Min | Typ | Max | Unit          |
|------------------------|---|-----|-----|-----|---------------|
| R                      | Resistor bridge for $V_{BAT}$                                 | -   | 50  | -   | K $\Omega$    |
| Q                      | Ratio on $V_{BAT}$ measurement                                | -   | 4   | -   |               |
| $E_r^{(1)}$            | Error on Q  | -1  | -   | +1  | %             |
| $T_{S\_vbat}^{(2)(2)}$ | ADC sampling time when reading the $V_{BAT}$<br>1 mV accuracy | 5   | -   | -   | $\mu\text{s}$ |

1. Guaranteed by design, not tested in production.
2. Shortest sampling time can be determined in the application by multiple iterations.

### 6.3.24 reference voltage

The parameters given in [Table 85](#) are derived from tests performed under ambient temperature and  $V_{DD}$  supply voltage conditions summarized in [Table 17](#).

**Table 85. internal reference voltage**

| Symbol                 | Parameter   | Conditions   | Min  | Typ  | Max  | Unit          |
|------------------------|---|--|------|------|------|---------------|
| $V_{REFINT}$           | Internal reference voltage                                    | $-40\text{ }^{\circ}\text{C} < T_A < +105\text{ }^{\circ}\text{C}$ | 1.18 | 1.21 | 1.24 | V             |
| $T_{S\_vrefint}^{(1)}$ | ADC sampling time when reading the internal reference voltage |  | 10   | -    | -    | $\mu\text{s}$ |
| $V_{RERINT\_s}^{(2)}$  | Internal reference voltage spread over the temperature range  | $V_{DD} = 3\text{V} \pm 10\text{mV}$                               | -    | 3    | 5    | mV            |

**Table 85. internal reference voltage (continued)**

| Symbol                | Parameter               | Conditions | Min | Typ | Max | Unit   |
|-----------------------|-------------------------|------------|-----|-----|-----|--------|
| $T_{C_{coeff}}^{(2)}$ | Temperature coefficient |            | -   | 30  | 50  | ppm/°C |
| $t_{START}^{(2)}$     | Startup time            |            | -   | 6   | 10  | µs     |

- Shortest sampling time can be determined in the application by multiple iterations.
- Guaranteed by design, not tested in production

**Table 86. Internal reference voltage calibration values**

| Symbol           | Parameter   | Memory address            |
|------------------|---|---------------------------|
| $V_{REFIN\_CAL}$ | Raw data acquired at temperature of 30 °C $V_{DDA} = 3.3 V$ | 0x1FFF 7A2A - 0x1FFF 7A2B |

### 6.3.25 DAC electrical characteristics

**Table 87. DAC characteristics**

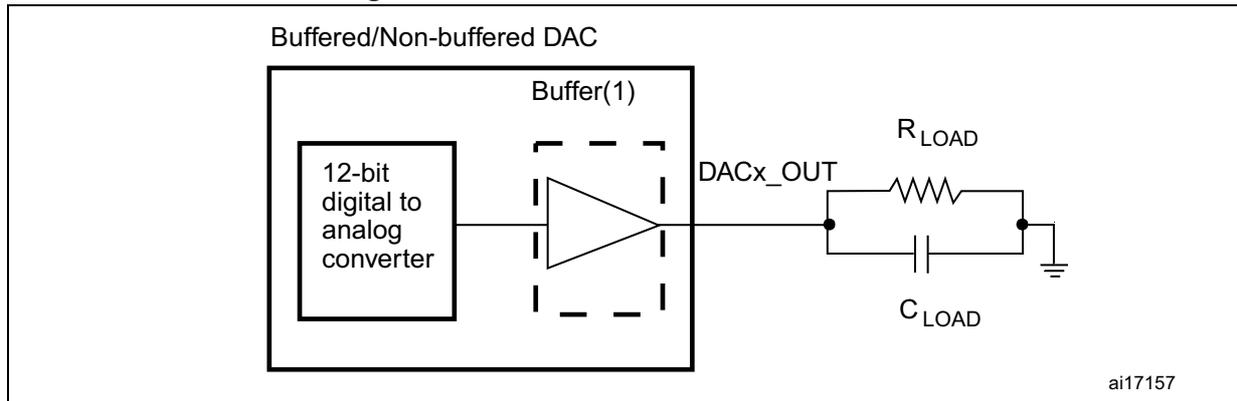
| Symbol                 | Parameter   | Min                | Typ | Max               | Unit | Comments   |
|------------------------|---|--------------------|-----|-------------------|------|--|
| $V_{DDA}$              | Analog supply voltage   | 1.7 <sup>(1)</sup> | -   | 3.6               | V    |  |
| $V_{REF+}$             | Reference supply voltage  | 1.7 <sup>(1)</sup> | -   | 3.6               | V    | $V_{REF+} \leq V_{DDA}$  |
| $V_{SSA}$              | Ground  | 0                  | -   | 0                 | V    |  |
| $R_{LOAD}^{(2)}$       | Resistive load with buffer ON   | 5                  | -   | -                 | kΩ   |  |
| $R_O^{(2)}$            | Impedance output with buffer OFF                                      | -                  | -   | 15                | kΩ   | When the buffer is OFF, the Minimum resistive load between DAC_OUT and $V_{SS}$ to have a 1% accuracy is 1.5 MΩ  |
| $C_{LOAD}^{(2)}$       | Capacitive load   | -                  | -   | 50                | pF   | Maximum capacitive load at DAC_OUT pin (when the buffer is ON).  |
| $DAC\_OUT_{min}^{(2)}$ | Lower DAC_OUT voltage with buffer ON                                  | 0.2                | -   | -                 | V    | It gives the maximum output excursion of the DAC.<br>It corresponds to 12-bit input code (0x0E0) to (0xF1C) at $V_{REF+} = 3.6 V$ and (0x1C7) to (0xE38) at $V_{REF+} = 1.7 V$ |
| $DAC\_OUT_{max}^{(2)}$ | Higher DAC_OUT voltage with buffer ON                                 | -                  | -   | $V_{DDA} - 0.2$   | V    |  |
| $DAC\_OUT_{min}^{(2)}$ | Lower DAC_OUT voltage with buffer OFF                                 | -                  | 0.5 | -                 | mV   | It gives the maximum output excursion of the DAC.  |
| $DAC\_OUT_{max}^{(2)}$ | Higher DAC_OUT voltage with buffer OFF                                | -                  | -   | $V_{REF+} - 1LSB$ | V    |  |
| $I_{VREF+}^{(4)}$      | DAC DC $V_{REF}$ current consumption in quiescent mode (Standby mode) | -                  | 170 | 240               | µA   | With no load, worst code (0x800) at $V_{REF+} = 3.6 V$ in terms of DC consumption on the inputs  |
|                        |   | -                  | 50  | 75                |      | With no load, worst code (0xF1C) at $V_{REF+} = 3.6 V$ in terms of DC consumption on the inputs  |

Table 87. DAC characteristics (continued)

| Symbol                           | Parameter   | Min | Typ | Max       | Unit          | Comments  |
|----------------------------------|---|-----|-----|-----------|---------------|---|
| $I_{DDA}^{(4)}$                  | DAC DC VDDA current consumption in quiescent mode <sup>(3)</sup>  | -   | 280 | 380       | $\mu\text{A}$ | With no load, middle code (0x800) on the inputs   |
|                                  |   | -   | 475 | 625       | $\mu\text{A}$ | With no load, worst code (0xF1C) at $V_{REF+} = 3.6\text{ V}$ in terms of DC consumption on the inputs                  |
| DNL <sup>(4)</sup>               | Differential non linearity<br>Difference between two consecutive code-1LSB)   | -   | -   | $\pm 0.5$ | LSB           | Given for the DAC in 10-bit configuration.  |
|                                  |   | -   | -   | $\pm 2$   | LSB           | Given for the DAC in 12-bit configuration.  |
| INL <sup>(4)</sup>               | Integral non linearity<br>(difference between measured value at Code i and the value at Code i on a line drawn between Code 0 and last Code 1023)                 | -   | -   | $\pm 1$   | LSB           | Given for the DAC in 10-bit configuration.  |
|                                  |   | -   | -   | $\pm 4$   | LSB           | Given for the DAC in 12-bit configuration.  |
| Offset <sup>(4)</sup>            | Offset error<br>(difference between measured value at Code (0x800) and the ideal value = $V_{REF+}/2$ )   | -   | -   | $\pm 10$  | mV            | Given for the DAC in 12-bit configuration   |
|                                  |   | -   | -   | $\pm 3$   | LSB           | Given for the DAC in 10-bit at $V_{REF+} = 3.6\text{ V}$  |
|                                  |   | -   | -   | $\pm 12$  | LSB           | Given for the DAC in 12-bit at $V_{REF+} = 3.6\text{ V}$  |
| Gain error <sup>(4)</sup>        | Gain error  | -   | -   | $\pm 0.5$ | %             | Given for the DAC in 12-bit configuration   |
| $t_{SETTLING}^{(4)}$             | Settling time (full scale: for a 10-bit input code transition between the lowest and the highest input codes when DAC_OUT reaches final value $\pm 4\text{LSB}$ ) | -   | 3   | 6         | $\mu\text{s}$ | $C_{LOAD} \leq 50\text{ pF}$ ,<br>$R_{LOAD} \geq 5\text{ k}\Omega$  |
| THD <sup>(4)</sup>               | Total Harmonic Distortion<br>Buffer ON  | -   | -   | -         | dB            | $C_{LOAD} \leq 50\text{ pF}$ ,<br>$R_{LOAD} \geq 5\text{ k}\Omega$  |
| Update rate <sup>(2)</sup>       | Max frequency for a correct DAC_OUT change when small variation in the input code (from code i to i+1LSB)   | -   | -   | 1         | MS/s          | $C_{LOAD} \leq 50\text{ pF}$ ,<br>$R_{LOAD} \geq 5\text{ k}\Omega$  |
| $t_{WAKEUP}^{(4)}$               | Wakeup time from off state (Setting the ENx bit in the DAC Control register)  | -   | 6.5 | 10        | $\mu\text{s}$ | $C_{LOAD} \leq 50\text{ pF}$ , $R_{LOAD} \geq 5\text{ k}\Omega$<br>input code between lowest and highest possible ones. |
| PSRR <sup>+</sup> <sup>(2)</sup> | Power supply rejection ratio (to $V_{DDA}$ ) (static DC measurement)  | -   | -67 | -40       | dB            | No $R_{LOAD}$ , $C_{LOAD} = 50\text{ pF}$   |

- $V_{DDA}$  minimum value of 1.7 V is obtained with the use of an external power supply supervisor (refer to [Section 3.17.2: Internal reset OFF](#)).
- Guaranteed by design, not tested in production.
- The quiescent mode corresponds to a state where the DAC maintains a stable output level to ensure that no dynamic consumption occurs.
- Guaranteed by characterization, not tested in production.

Figure 55. 12-bit buffered /non-buffered DAC



1. The DAC integrates an output buffer that can be used to reduce the output impedance and to drive external loads directly without the use of an external operational amplifier. The buffer can be bypassed by configuring the BOFFx bit in the DAC\_CR register.

### 6.3.26 FMC characteristics

Unless otherwise specified, the parameters given in [Table 88](#) to [Table 103](#) for the FMC interface are derived from tests performed under the ambient temperature,  $f_{HCLK}$  frequency and  $V_{DD}$  supply voltage conditions summarized in [Table 17](#), with the following configuration:

- Output speed is set to  $OSPEEDRy[1:0] = 10$  except at  $V_{DD}$  range 1.7 to 2.1V where  $OSPEEDRy[1:0] = 11$
- Measurement points are done at CMOS levels:  $0.5V_{DD}$

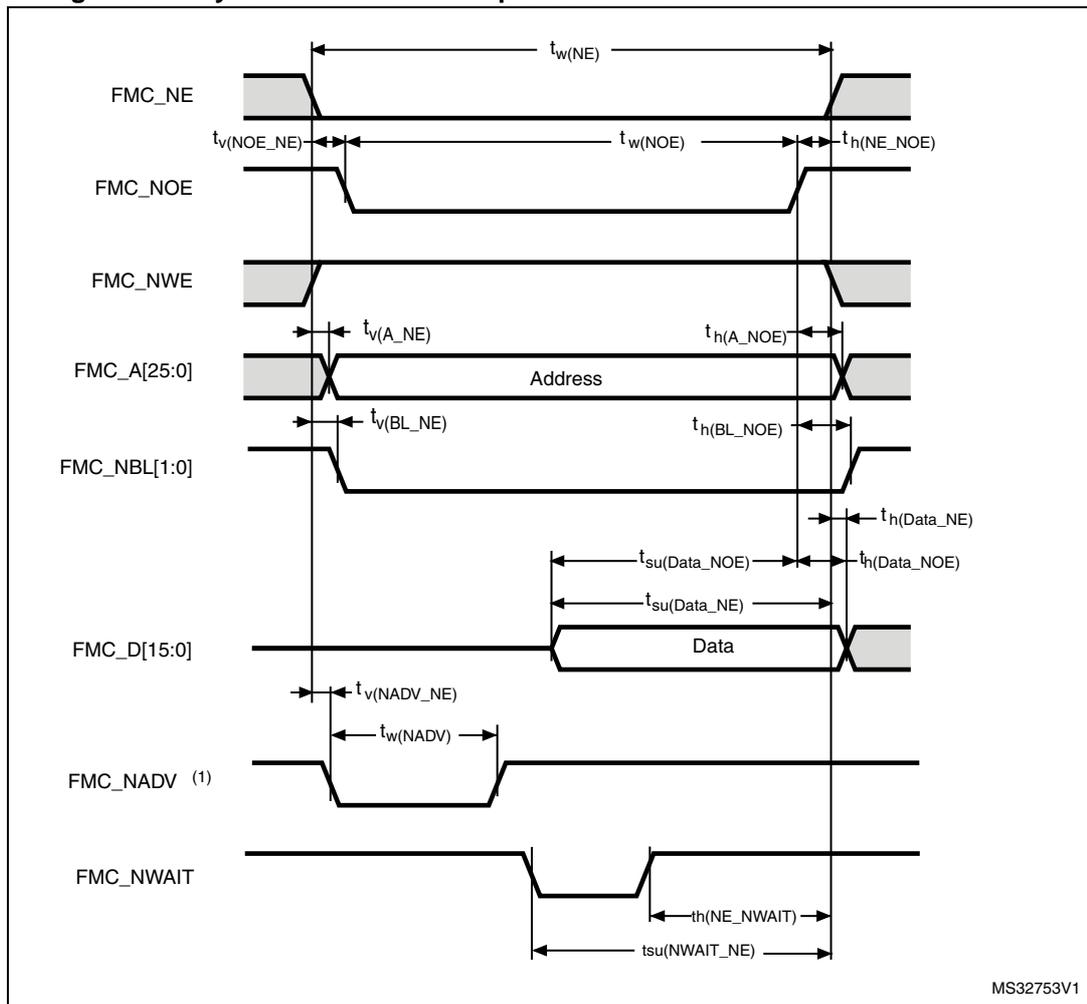
Refer to [Section 6.3.17: I/O port characteristics](#) for more details on the input/output characteristics.

### Asynchronous waveforms and timings

[Figure 56](#) through [Figure 59](#) represent asynchronous waveforms and [Table 88](#) through [Table 95](#) provide the corresponding timings. The results shown in these tables are obtained with the following FMC configuration:

- AddressSetupTime = 0x1
- AddressHoldTime = 0x1
- DataSetupTime = 0x1 (except for asynchronous NWAIT mode , DataSetupTime = 0x5)
- BusTurnAroundDuration = 0x0
- For SDRAM memories,  $V_{DD}$  ranges from 2.7 to 3.6 V and maximum frequency FMC\_SDCLK = 90 MHz
- For Mobile LPDDR SDRAM memories,  $V_{DD}$  ranges from 1.7 to 1.95 V and maximum frequency FMC\_SDCLK = 84 MHz

Figure 56. Asynchronous non-multiplexed SRAM/PSRAM/NOR read waveforms



MS32753V1

1. Mode 2/B, C and D only. In Mode 1, FMC\_NADV is not used.

Table 88. Asynchronous non-multiplexed SRAM/PSRAM/NOR - read timings<sup>(1)(2)</sup>

| Symbol              | Parameter                             | Min               | Max               | Unit |
|---------------------|---------------------------------------|-------------------|-------------------|------|
| $t_{w(NE)}$         | FMC_NE low time                       | $2T_{HCLK} - 0.5$ | $2T_{HCLK} + 0.5$ | ns   |
| $t_{v(NOE\_NE)}$    | FMC_NEx low to FMC_NOE low            | 0                 | 1                 | ns   |
| $t_{w(NOE)}$        | FMC_NOE low time                      | $2T_{HCLK}$       | $2T_{HCLK} + 0.5$ | ns   |
| $t_{h(NE\_NOE)}$    | FMC_NOE high to FMC_NE high hold time | 0                 | -                 | ns   |
| $t_{v(A\_NE)}$      | FMC_NEx low to FMC_A valid            | -                 | 2                 | ns   |
| $t_{h(A\_NOE)}$     | Address hold time after FMC_NOE high  | 0                 | -                 | ns   |
| $t_{v(BL\_NE)}$     | FMC_NEx low to FMC_BL valid           | -                 | 2                 | ns   |
| $t_{h(BL\_NOE)}$    | FMC_BL hold time after FMC_NOE high   | 0                 | -                 | ns   |
| $t_{su(Data\_NE)}$  | Data to FMC_NEx high setup time       | $T_{HCLK} + 2.5$  | -                 | ns   |
| $t_{su(Data\_NOE)}$ | Data to FMC_NOEx high setup time      | $T_{HCLK} + 2$    | -                 | ns   |

**Table 88. Asynchronous non-multiplexed SRAM/PSRAM/NOR - read timings<sup>(1)(2)</sup> (continued)**

| Symbol             | Parameter                         | Min | Max            | Unit |
|--------------------|-----------------------------------|-----|----------------|------|
| $t_{h(Data\_NOE)}$ | Data hold time after FMC_NOE high | 0   | -              | ns   |
| $t_{h(Data\_NE)}$  | Data hold time after FMC_NEx high | 0   | -              | ns   |
| $t_{v(NADV\_NE)}$  | FMC_NEx low to FMC_NADV low       | -   | 0              | ns   |
| $t_{w(NADV)}$      | FMC_NADV low time                 | -   | $T_{HCLK} + 1$ | ns   |

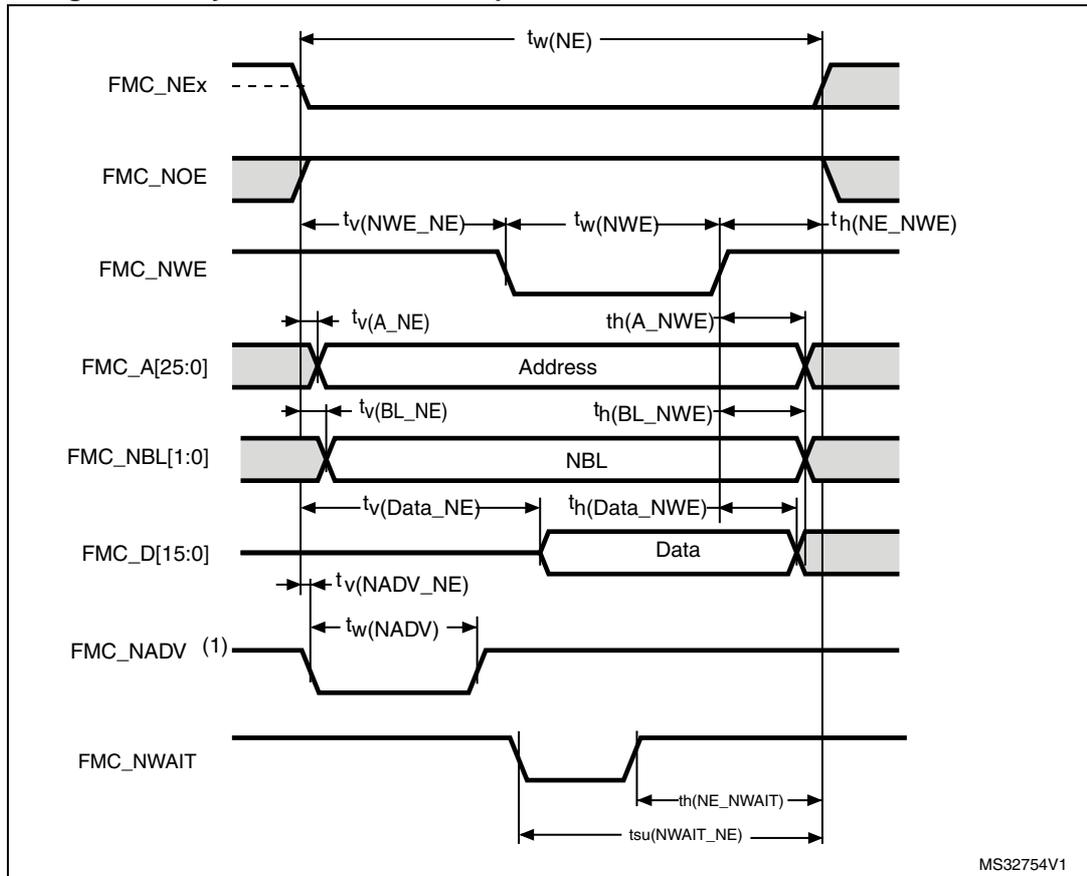
1.  $C_L = 30$  pF.
2. Based on characterization, not tested in production.

**Table 89. Asynchronous non-multiplexed SRAM/PSRAM/NOR read - NWAIT timings<sup>(1)(2)</sup>**

| Symbol              | Parameter                                 | Min               | Max             | Unit |
|---------------------|---|-------------------|-----------------|------|
| $t_{w(NE)}$         | FMC_NE low time                           | $7T_{HCLK} + 0.5$ | $7T_{HCLK} + 1$ | ns   |
| $t_{w(NOE)}$        | FMC_NWE low time                          | $5T_{HCLK} - 1.5$ | $5T_{HCLK} + 2$ |      |
| $t_{su(NWAIT\_NE)}$ | FMC_NWAIT valid before FMC_NEx high       | $5T_{HCLK} + 1.5$ | -               |      |
| $t_{h(NE\_NWAIT)}$  | FMC_NEx hold time after FMC_NWAIT invalid | $4T_{HCLK} + 1$   | -               |      |

1.  $C_L = 30$  pF.
2. Based on characterization, not tested in production.

Figure 57. Asynchronous non-multiplexed SRAM/PSRAM/NOR write waveforms



MS32754V1

1. Mode 2/B, C and D only. In Mode 1, FMC\_NADV is not used.

Table 90. Asynchronous non-multiplexed SRAM/PSRAM/NOR write timings<sup>(1)(2)</sup>

| Symbol             | Parameter                             | Min            | Max            | Unit |
|--------------------|---------------------------------------|----------------|----------------|------|
| $t_{w(NE)}$        | FMC_NE low time                       | $3T_{HCLK}$    | $3T_{HCLK}+1$  | ns   |
| $t_{v(NWE\_NE)}$   | FMC_NEx low to FMC_NWE low            | $T_{HCLK}-0.5$ | $T_{HCLK}+0.5$ | ns   |
| $t_{w(NWE)}$       | FMC_NWE low time                      | $T_{HCLK}$     | $T_{HCLK}+0.5$ | ns   |
| $t_{h(NE\_NWE)}$   | FMC_NWE high to FMC_NE high hold time | $T_{HCLK}+1.5$ | -              | ns   |
| $t_{v(A\_NE)}$     | FMC_NEx low to FMC_A valid            | -              | 0              | ns   |
| $t_{h(A\_NWE)}$    | Address hold time after FMC_NWE high  | $T_{HCLK}+0.5$ | -              | ns   |
| $t_{v(BL\_NE)}$    | FMC_NEx low to FMC_BL valid           | -              | 1.5            | ns   |
| $t_{h(BL\_NWE)}$   | FMC_BL hold time after FMC_NWE high   | $T_{HCLK}+0.5$ | -              | ns   |
| $t_{v(Data\_NE)}$  | Data to FMC_NEx low to Data valid     | -              | $T_{HCLK}+2$   | ns   |
| $t_{h(Data\_NWE)}$ | Data hold time after FMC_NWE high     | $T_{HCLK}+0.5$ | -              | ns   |
| $t_{v(NADV\_NE)}$  | FMC_NEx low to FMC_NADV low           | -              | 0.5            | ns   |
| $t_{w(NADV)}$      | FMC_NADV low time                     | -              | $T_{HCLK}+0.5$ | ns   |

1.  $C_L = 30$  pF.

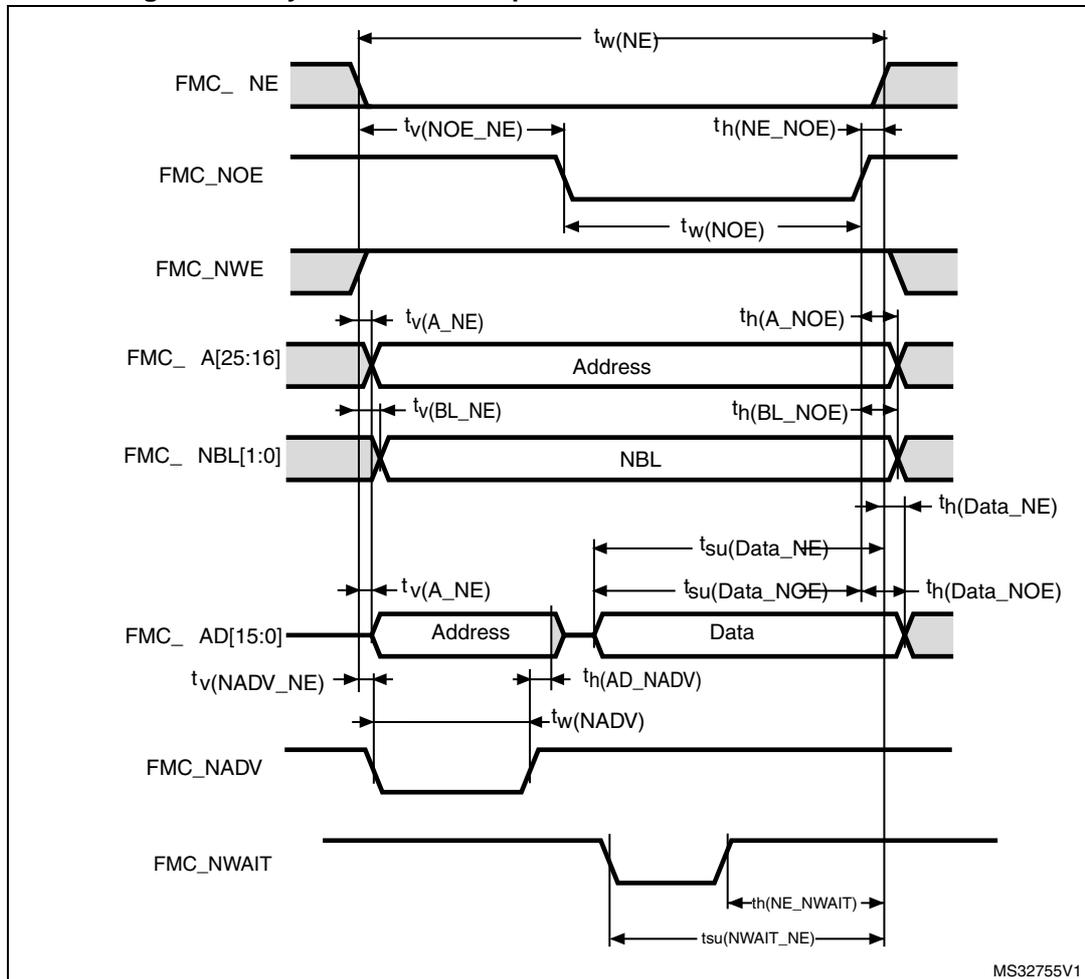
2. Based on characterization, not tested in production.

**Table 91. Asynchronous non-multiplexed SRAM/PSRAM/NOR write - NWAIT timings<sup>(1)(2)</sup>**

| Symbol              | Parameter                                 | Min             | Max           | Unit |
|---------------------|---|-----------------|---------------|------|
| $t_{w(NE)}$         | FMC_NE low time                           | $8T_{HCLK}+1$   | $8T_{HCLK}+2$ | ns   |
| $t_{w(NWE)}$        | FMC_NWE low time                          | $6T_{HCLK}-1$   | $6T_{HCLK}+2$ | ns   |
| $t_{su(NWAIT\_NE)}$ | FMC_NWAIT valid before FMC_NEx high       | $6T_{HCLK}+1.5$ | -             | ns   |
| $t_{h(NE\_NWAIT)}$  | FMC_NEx hold time after FMC_NWAIT invalid | $4T_{HCLK}+1$   |               | ns   |

1.  $C_L = 30$  pF.
2. Based on characterization, not tested in production.

**Figure 58. Asynchronous multiplexed PSRAM/NOR read waveforms**



MS32755V1

**Table 92. Asynchronous multiplexed PSRAM/NOR read timings<sup>(1)(2)</sup>**

| Symbol              | Parameter   | Min             | Max             | Unit |
|---------------------|---|-----------------|-----------------|------|
| $t_{w(NE)}$         | FMC_NE low time                                     | $3T_{HCLK}-1$   | $3T_{HCLK}+0.5$ | ns   |
| $t_{v(NOE\_NE)}$    | FMC_NEx low to FMC_NOE low                          | $2T_{HCLK}-0.5$ | $2T_{HCLK}$     | ns   |
| $t_{tw(NOE)}$       | FMC_NOE low time                                    | $T_{HCLK}-1$    | $T_{HCLK}+1$    | ns   |
| $t_{h(NE\_NOE)}$    | FMC_NOE high to FMC_NE high hold time               | 1               | -               | ns   |
| $t_{v(A\_NE)}$      | FMC_NEx low to FMC_A valid                          | -               | 2               | ns   |
| $t_{v(NADV\_NE)}$   | FMC_NEx low to FMC_NADV low                         | 0               | 2               | ns   |
| $t_{w(NADV)}$       | FMC_NADV low time                                   | $T_{HCLK}-0.5$  | $T_{HCLK}+0.5$  | ns   |
| $t_{h(AD\_NADV)}$   | FMC_AD(address) valid hold time after FMC_NADV high | 0               | -               | ns   |
| $t_{h(A\_NOE)}$     | Address hold time after FMC_NOE high                | $T_{HCLK}-0.5$  | -               | ns   |
| $t_{h(BL\_NOE)}$    | FMC_BL time after FMC_NOE high                      | 0               | -               | ns   |
| $t_{v(BL\_NE)}$     | FMC_NEx low to FMC_BL valid                         | -               | 2               | ns   |
| $t_{su(Data\_NE)}$  | Data to FMC_NEx high setup time                     | $T_{HCLK}+1.5$  | -               | ns   |
| $t_{su(Data\_NOE)}$ | Data to FMC_NOE high setup time                     | $T_{HCLK}+1$    | -               | ns   |
| $t_{h(Data\_NE)}$   | Data hold time after FMC_NEx high                   | 0               | -               | ns   |
| $t_{h(Data\_NOE)}$  | Data hold time after FMC_NOE high                   | 0               | -               | ns   |

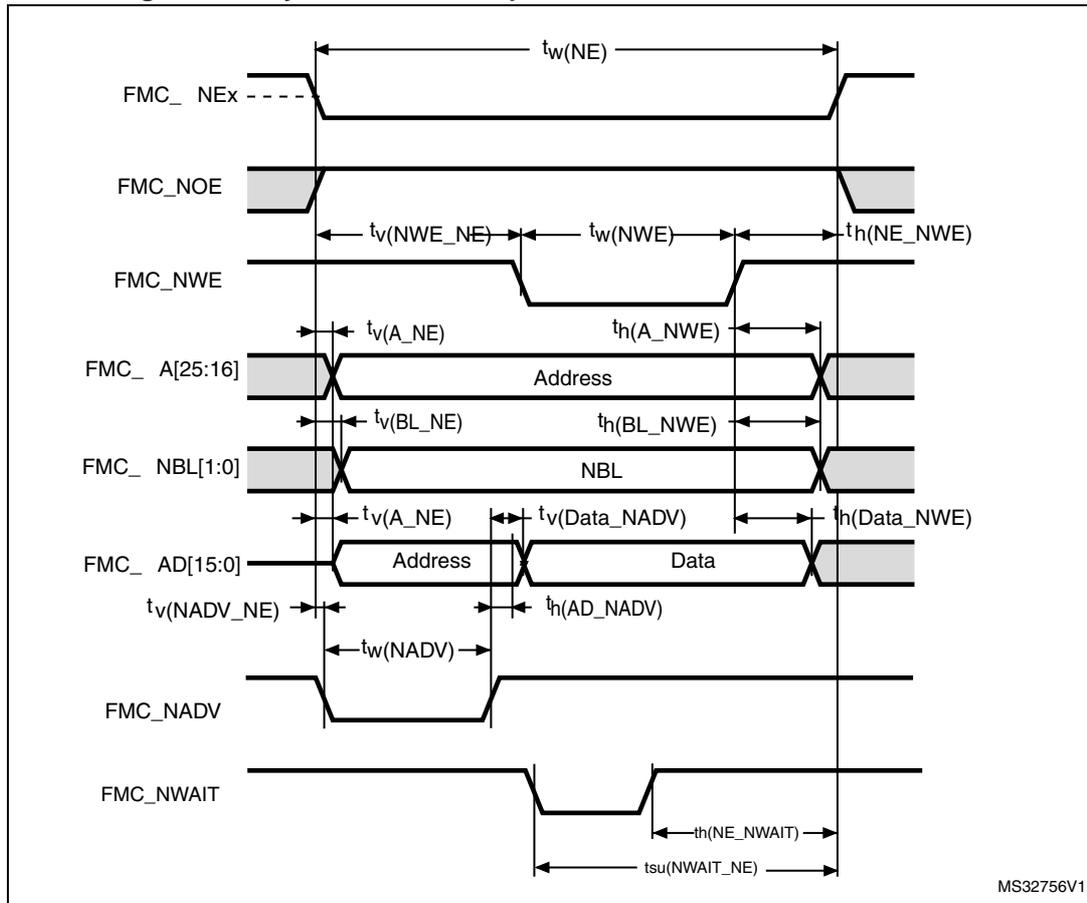
1.  $C_L = 30$  pF.
2. Based on characterization, not tested in production.

**Table 93. Asynchronous multiplexed PSRAM/NOR read-NWAIT timings<sup>(1)(2)</sup>**

| Symbol              | Parameter                                 | Min             | Max             | Unit |
|---------------------|---|-----------------|-----------------|------|
| $t_{w(NE)}$         | FMC_NE low time                           | $8T_{HCLK}+0.5$ | $8T_{HCLK}+2$   | ns   |
| $t_{w(NOE)}$        | FMC_NWE low time                          | $5T_{HCLK}-1$   | $5T_{HCLK}+1.5$ | ns   |
| $t_{su(NWAIT\_NE)}$ | FMC_NWAIT valid before FMC_NEx high       | $5T_{HCLK}+1.5$ | -               | ns   |
| $t_{h(NE\_NWAIT)}$  | FMC_NEx hold time after FMC_NWAIT invalid | $4T_{HCLK}+1$   | -               | ns   |

1.  $C_L = 30$  pF.
2. Based on characterization, not tested in production.

Figure 59. Asynchronous multiplexed PSRAM/NOR write waveforms



MS32756V1

Table 94. Asynchronous multiplexed PSRAM/NOR write timings<sup>(1)(2)</sup>

| Symbol            | Parameter   | Min            | Max             | Unit |
|-------------------|---|----------------|-----------------|------|
| $t_{w(NE)}$       | FMC_NE low time                                     | $4T_{HCLK}$    | $4T_{HCLK}+0.5$ | ns   |
| $t_{v(NWE\_NE)}$  | FMC_NEx low to FMC_NWE low                          | $T_{HCLK}-1$   | $T_{HCLK}+0.5$  | ns   |
| $t_{w(NWE)}$      | FMC_NWE low time                                    | $2T_{HCLK}$    | $2T_{HCLK}+0.5$ | ns   |
| $t_{h(NE\_NWE)}$  | FMC_NWE high to FMC_NE high hold time               | $T_{HCLK}$     | -               | ns   |
| $t_{v(A\_NE)}$    | FMC_NEx low to FMC_A valid                          | -              | 0               | ns   |
| $t_{v(NADV\_NE)}$ | FMC_NEx low to FMC_NADV low                         | 0.5            | 1               | ns   |
| $t_{w(NADV)}$     | FMC_NADV low time                                   | $T_{HCLK}-0.5$ | $T_{HCLK}+0.5$  | ns   |
| $t_{h(AD\_NADV)}$ | FMC_AD(address) valid hold time after FMC_NADV high | $T_{HCLK}-2$   | -               | ns   |
| $t_{h(A\_NWE)}$   | Address hold time after FMC_NWE high                | $T_{HCLK}$     | -               | ns   |
| $t_{h(BL\_NWE)}$  | FMC_BL hold time after FMC_NWE high                 | $T_{HCLK}-2$   | -               | ns   |
| $t_{v(BL\_NE)}$   | FMC_NEx low to FMC_BL valid                         | -              | 2               | ns   |

**Table 94. Asynchronous multiplexed PSRAM/NOR write timings<sup>(1)(2)</sup> (continued)**

| Symbol              | Parameter                         | Min              | Max              | Unit |
|---------------------|-----------------------------------|------------------|------------------|------|
| $t_{v(Data\_NADV)}$ | FMC_NADV high to Data valid       | -                | $T_{HCLK} + 1.5$ | ns   |
| $t_{h(Data\_NWE)}$  | Data hold time after FMC_NWE high | $T_{HCLK} + 0.5$ | -                | ns   |

1.  $C_L = 30$  pF.
2. Based on characterization, not tested in production.

**Table 95. Asynchronous multiplexed PSRAM/NOR write-NWAIT timings<sup>(1)(2)</sup>**

| Symbol              | Parameter                                 | Min               | Max               | Unit |
|---------------------|---|-------------------|-------------------|------|
| $t_{w(NE)}$         | FMC_NE low time                           | $9T_{HCLK}$       | $9T_{HCLK} + 0.5$ | ns   |
| $t_{w(NWE)}$        | FMC_NWE low time                          | $7T_{HCLK}$       | $7T_{HCLK} + 2$   | ns   |
| $t_{su(NWAIT\_NE)}$ | FMC_NWAIT valid before FMC_NEx high       | $6T_{HCLK} + 1.5$ | -                 | ns   |
| $t_{h(NE\_NWAIT)}$  | FMC_NEx hold time after FMC_NWAIT invalid | $4T_{HCLK} - 1$   | -                 | ns   |

1.  $C_L = 30$  pF.
2. Based on characterization, not tested in production.

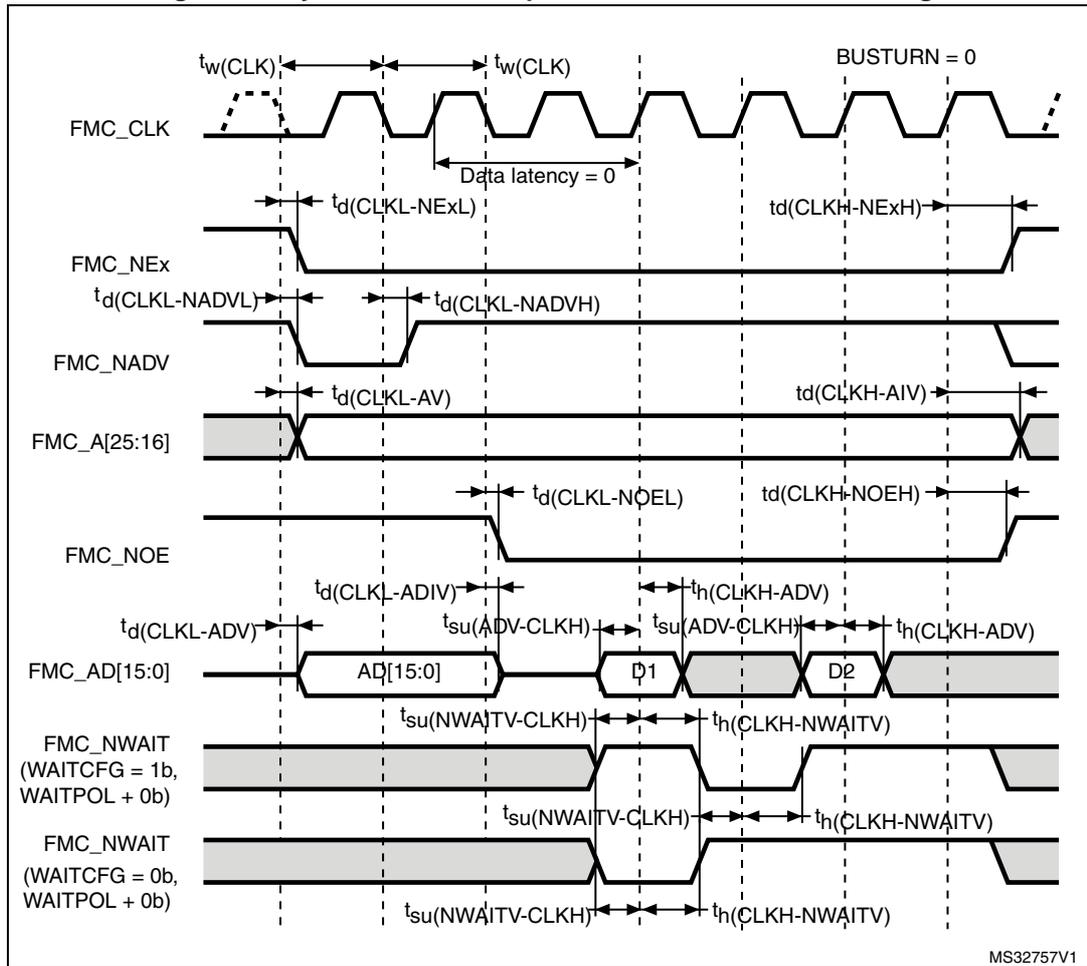
### Synchronous waveforms and timings

Figure 60 through Figure 63 represent synchronous waveforms and Table 96 through Table 99 provide the corresponding timings. The results shown in these tables are obtained with the following FMC configuration:

- BurstAccessMode = FMC\_BurstAccessMode\_Enable;
- MemoryType = FMC\_MemoryType\_CRAM;
- WriteBurst = FMC\_WriteBurst\_Enable;
- CLKDivision = 1; (0 is not supported, see the STM32F4xx reference manual : RM0090)
- DataLatency = 1 for NOR Flash; DataLatency = 0 for PSRAM

In all timing tables, the  $T_{HCLK}$  is the HCLK clock period (with maximum FMC\_CLK = 90 MHz).

Figure 60. Synchronous multiplexed NOR/PSRAM read timings



MS32757V1

Table 96. Synchronous multiplexed NOR/PSRAM read timings<sup>(1)(2)</sup>

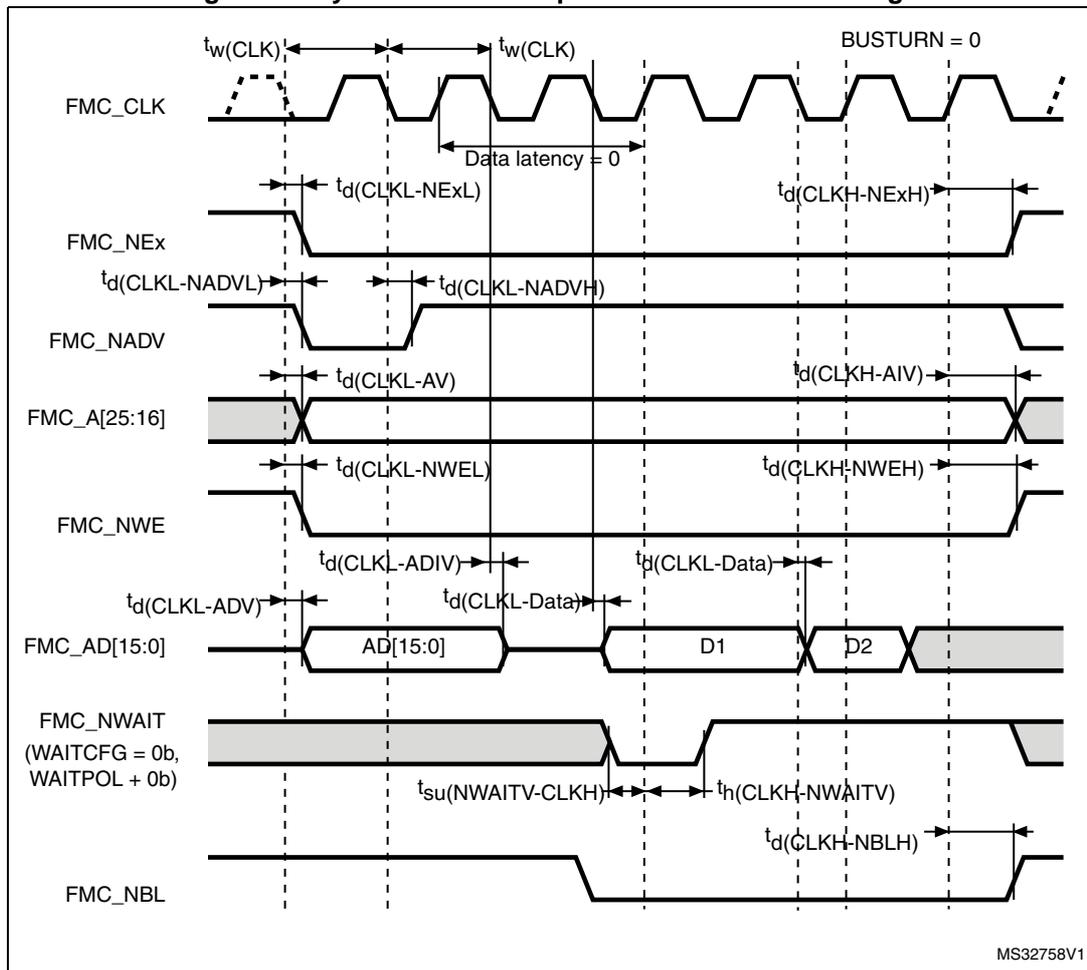
| Symbol              | Parameter                                  | Min            | Max            | Unit |
|---------------------|--|----------------|----------------|------|
| $t_{w(CLK)}$        | FMC_CLK period                             | $2T_{HCLK}-1$  | -              | ns   |
| $t_{d(CLKL-NExL)}$  | FMC_CLK low to FMC_NEx low (x=0..2)        | -              | 0              | ns   |
| $t_{d(CLKH-NExH)}$  | FMC_CLK high to FMC_NEx high (x= 0...2)    | $T_{HCLK}$     | -              | ns   |
| $t_{d(CLKL-NADVL)}$ | FMC_CLK low to FMC_NADV low                | -              | 0              | ns   |
| $t_{d(CLKL-NADVH)}$ | FMC_CLK low to FMC_NADV high               | 0              | -              | ns   |
| $t_{d(CLKL-AV)}$    | FMC_CLK low to FMC_Ax valid (x=16...25)    | -              | 0              | ns   |
| $t_{d(CLKH-AIV)}$   | FMC_CLK high to FMC_Ax invalid (x=16...25) | 0              | -              | ns   |
| $t_{d(CLKL-NOEL)}$  | FMC_CLK low to FMC_NOE low                 | -              | $T_{HCLK}+0.5$ | ns   |
| $t_{d(CLKH-NOEH)}$  | FMC_CLK high to FMC_NOE high               | $T_{HCLK}-0.5$ | -              | ns   |
| $t_{d(CLKL-ADV)}$   | FMC_CLK low to FMC_AD[15:0] valid          | -              | 0.5            | ns   |
| $t_{d(CLKL-ADIV)}$  | FMC_CLK low to FMC_AD[15:0] invalid        | 0              | -              | ns   |

**Table 96. Synchronous multiplexed NOR/PSRAM read timings<sup>(1)(2)</sup> (continued)**

| Symbol               | Parameter                                    | Min | Max | Unit |
|----------------------|--|-----|-----|------|
| $t_{su(ADV-CLKH)}$   | FMC_A/D[15:0] valid data before FMC_CLK high | 5   | -   | ns   |
| $t_{h(CLKH-ADV)}$    | FMC_A/D[15:0] valid data after FMC_CLK high  | 0   | -   | ns   |
| $t_{su(NWAIT-CLKH)}$ | FMC_NWAIT valid before FMC_CLK high          | 4   | -   | ns   |
| $t_{h(CLKH-NWAIT)}$  | FMC_NWAIT valid after FMC_CLK high           | 0   | -   | ns   |

1.  $C_L = 30$  pF.
2. Based on characterization, not tested in production.

**Figure 61. Synchronous multiplexed PSRAM write timings**



**Table 97. Synchronous multiplexed PSRAM write timings<sup>(1)(2)</sup>**

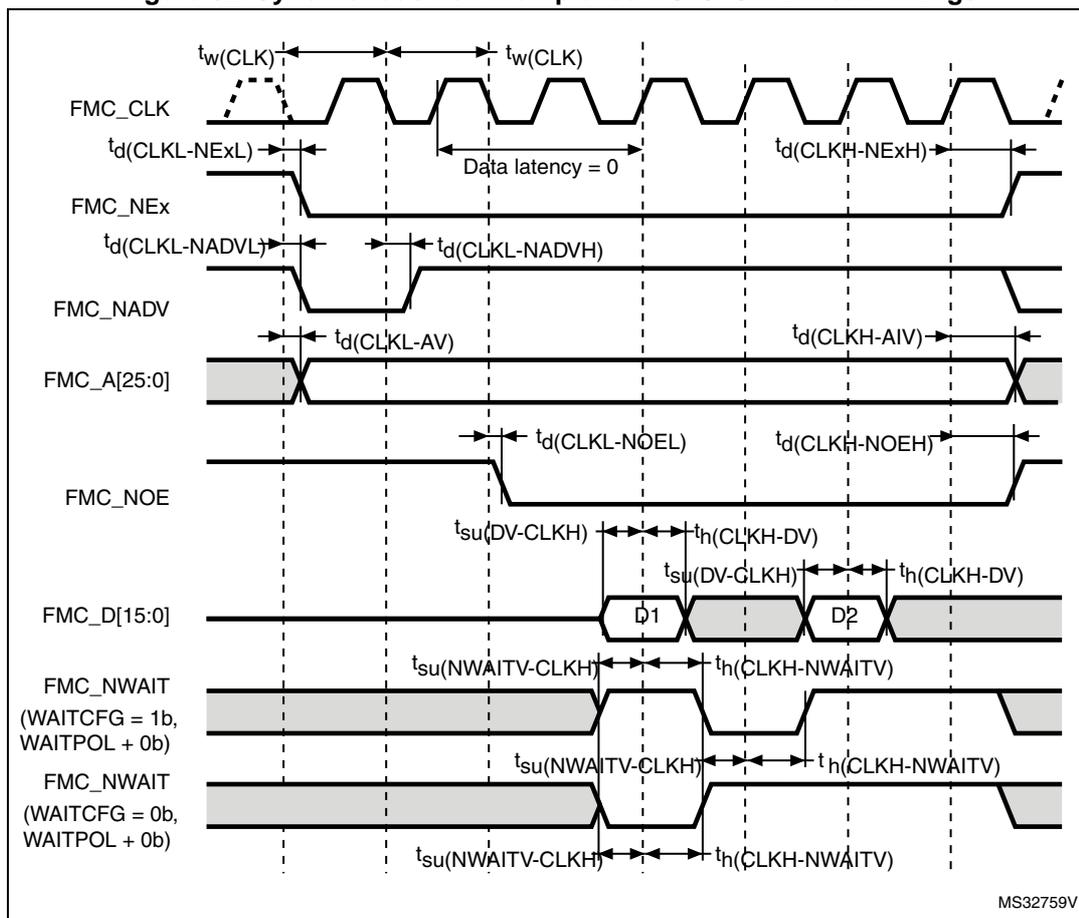
| Symbol           | Parameter                               | Min           | Max | Unit |
|------------------|---|---------------|-----|------|
| $t_w(CLK)$       | FMC_CLK period, VDD range= 2.7 to 3.6 V | $2T_{HCLK}-1$ | -   | ns   |
| $t_d(CLKL-NExL)$ | FMC_CLK low to FMC_NEx low (x=0..2)     | -             | 1.5 | ns   |
| $t_d(CLKH-NExH)$ | FMC_CLK high to FMC_NEx high (x= 0..2)  | $T_{HCLK}$    | -   | ns   |

Table 97. Synchronous multiplexed PSRAM write timings<sup>(1)(2)</sup> (continued)

| Symbol               | Parameter                                  | Min            | Max | Unit |
|----------------------|--|----------------|-----|------|
| $t_{d(CLKL-NADVL)}$  | FMC_CLK low to FMC_NADV low                | -              | 0   | ns   |
| $t_{d(CLKL-NADVH)}$  | FMC_CLK low to FMC_NADV high               | 0              | -   | ns   |
| $t_{d(CLKL-AV)}$     | FMC_CLK low to FMC_Ax valid (x=16...25)    | -              | 0   | ns   |
| $t_{d(CLKH-AIV)}$    | FMC_CLK high to FMC_Ax invalid (x=16...25) | $T_{HCLK}$     | -   | ns   |
| $t_{d(CLKL-NWEL)}$   | FMC_CLK low to FMC_NWE low                 | -              | 0   | ns   |
| $t_{d(CLKH-NWEH)}$   | FMC_CLK high to FMC_NWE high               | $T_{HCLK}-0.5$ | -   | ns   |
| $t_{d(CLKL-ADV)}$    | FMC_CLK low to FMC_AD[15:0] valid          | -              | 3   | ns   |
| $t_{d(CLKL-ADIV)}$   | FMC_CLK low to FMC_AD[15:0] invalid        | 0              | -   | ns   |
| $t_{d(CLKL-DATA)}$   | FMC_A/D[15:0] valid data after FMC_CLK low | -              | 3   | ns   |
| $t_{d(CLKL-NBLL)}$   | FMC_CLK low to FMC_NBL low                 | 0              | -   | ns   |
| $t_{d(CLKH-NBLH)}$   | FMC_CLK high to FMC_NBL high               | $T_{HCLK}-0.5$ | -   | ns   |
| $t_{su(NWAIT-CLKH)}$ | FMC_NWAIT valid before FMC_CLK high        | 4              | -   | ns   |
| $t_h(CLKH-NWAIT)$    | FMC_NWAIT valid after FMC_CLK high         | 0              | -   | ns   |

1.  $C_L = 30$  pF.
2. Based on characterization, not tested in production.

Figure 62. Synchronous non-multiplexed NOR/PSRAM read timings



MS32759V1

Table 98. Synchronous non-multiplexed NOR/PSRAM read timings<sup>(1)(2)</sup>

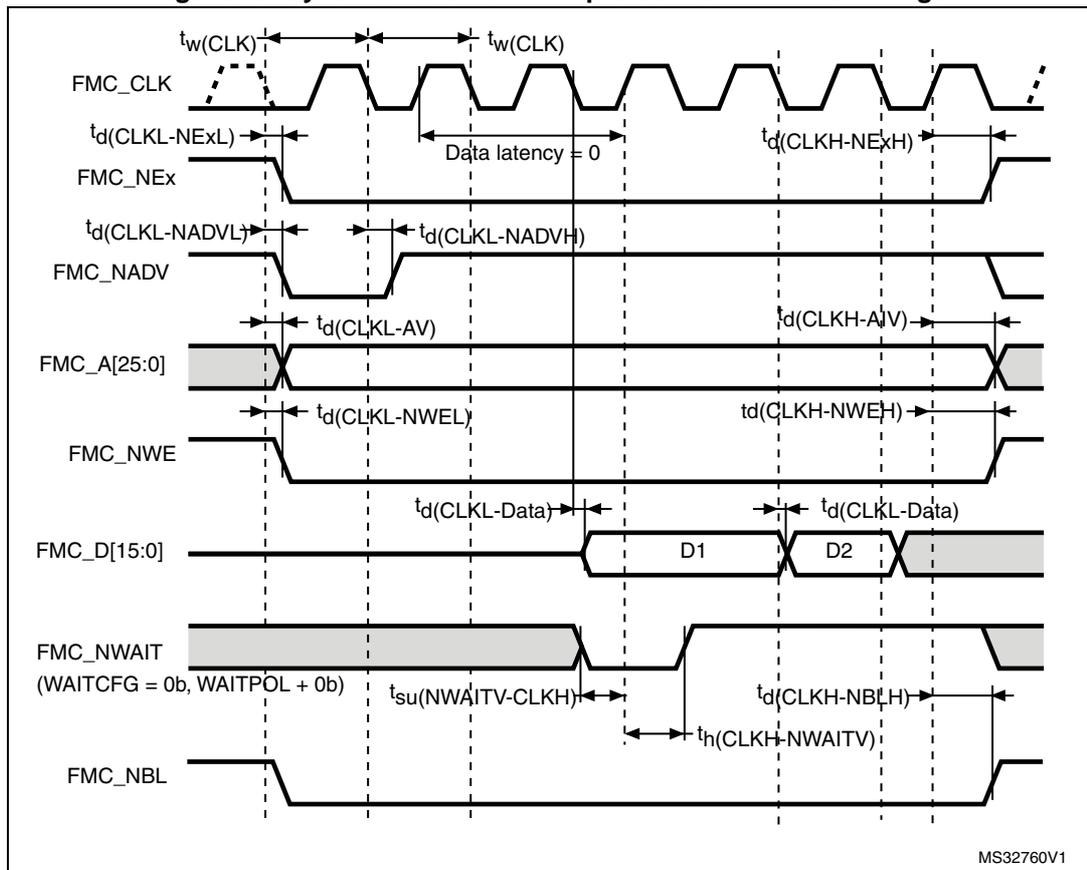
| Symbol                            | Parameter                                  | Min                   | Max                 | Unit |
|-----------------------------------|--|-----------------------|---------------------|------|
| $t_w(\text{CLK})$                 | FMC_CLK period                             | $2T_{\text{HCLK}}-1$  | -                   | ns   |
| $t_{\text{d}}(\text{CLKL-NExL})$  | FMC_CLK low to FMC_NEx low (x=0..2)        | -                     | 0.5                 | ns   |
| $t_{\text{d}}(\text{CLKH-NExH})$  | FMC_CLK high to FMC_NEx high (x= 0...2)    | $T_{\text{HCLK}}$     | -                   | ns   |
| $t_{\text{d}}(\text{CLKL-NADV})$  | FMC_CLK low to FMC_NADV low                | -                     | 0                   | ns   |
| $t_{\text{d}}(\text{CLKL-NADVH})$ | FMC_CLK low to FMC_NADV high               | 0                     | -                   | ns   |
| $t_{\text{d}}(\text{CLKL-AV})$    | FMC_CLK low to FMC_Ax valid (x=16...25)    | -                     | 0                   | ns   |
| $t_{\text{d}}(\text{CLKH-AIV})$   | FMC_CLK high to FMC_Ax invalid (x=16...25) | $T_{\text{HCLK}}-0.5$ | -                   | ns   |
| $t_{\text{d}}(\text{CLKL-NOEL})$  | FMC_CLK low to FMC_NOE low                 | -                     | $T_{\text{HCLK}}+2$ | ns   |
| $t_{\text{d}}(\text{CLKH-NOEH})$  | FMC_CLK high to FMC_NOE high               | $T_{\text{HCLK}}-0.5$ | -                   | ns   |
| $t_{\text{su}}(\text{DV-CLKH})$   | FMC_D[15:0] valid data before FMC_CLK high | 5                     | -                   | ns   |

**Table 98. Synchronous non-multiplexed NOR/PSRAM read timings<sup>(1)(2)</sup> (continued)**

| Symbol              | Parameter                                 | Min | Max | Unit |
|---------------------|---|-----|-----|------|
| $t_{h(CLKH-DV)}$    | FMC_D[15:0] valid data after FMC_CLK high | 0   | -   | ns   |
| $t_{(NWAIT-CLKH)}$  | FMC_NWAIT valid before FMC_CLK high       | 4   |     |      |
| $t_{h(CLKH-NWAIT)}$ | FMC_NWAIT valid after FMC_CLK high        | 0   |     |      |

1.  $C_L = 30$  pF.
2. Based on characterization, not tested in production.

**Figure 63. Synchronous non-multiplexed PSRAM write timings**



**Table 99. Synchronous non-multiplexed PSRAM write timings<sup>(1)(2)</sup>**

| Symbol              | Parameter                              | Min           | Max | Unit |
|---------------------|--|---------------|-----|------|
| $t_{(CLK)}$         | FMC_CLK period                         | $2T_{HCLK}-1$ | -   | ns   |
| $t_{d(CLKL-NExL)}$  | FMC_CLK low to FMC_NEx low (x=0..2)    | -             | 0.5 | ns   |
| $t_{(CLKH-NExH)}$   | FMC_CLK high to FMC_NEx high (x= 0..2) | $T_{HCLK}$    | -   | ns   |
| $t_{d(CLKL-NADV)}$  | FMC_CLK low to FMC_NADV low            | -             | 0   | ns   |
| $t_{d(CLKL-NADVH)}$ | FMC_CLK low to FMC_NADV high           | 0             | -   | ns   |
| $t_{d(CLKL-AV)}$    | FMC_CLK low to FMC_Ax valid (x=16..25) | -             | 0   | ns   |

**Table 99. Synchronous non-multiplexed PSRAM write timings<sup>(1)(2)</sup> (continued)**

| Symbol               | Parameter                                  | Min            | Max | Unit |
|----------------------|--|----------------|-----|------|
| $t_{d(CLKH-AIV)}$    | FMC_CLK high to FMC_Ax invalid (x=16...25) | 0              | -   | ns   |
| $t_{d(CLKL-NWEL)}$   | FMC_CLK low to FMC_NWE low                 | -              | 0   | ns   |
| $t_{d(CLKH-NWEH)}$   | FMC_CLK high to FMC_NWE high               | $T_{HCLK}-0.5$ | -   | ns   |
| $t_{d(CLKL-Data)}$   | FMC_D[15:0] valid data after FMC_CLK low   | -              | 2.5 | ns   |
| $t_{d(CLKL-NBLL)}$   | FMC_CLK low to FMC_NBL low                 | 0              | -   | ns   |
| $t_{d(CLKH-NBLH)}$   | FMC_CLK high to FMC_NBL high               | $T_{HCLK}-0.5$ | -   | ns   |
| $t_{su(NWAIT-CLKH)}$ | FMC_NWAIT valid before FMC_CLK high        | 4              |     |      |
| $t_{h(CLKH-NWAIT)}$  | FMC_NWAIT valid after FMC_CLK high         | 0              |     |      |

1.  $C_L = 30$  pF.
2. Based on characterization, not tested in production.

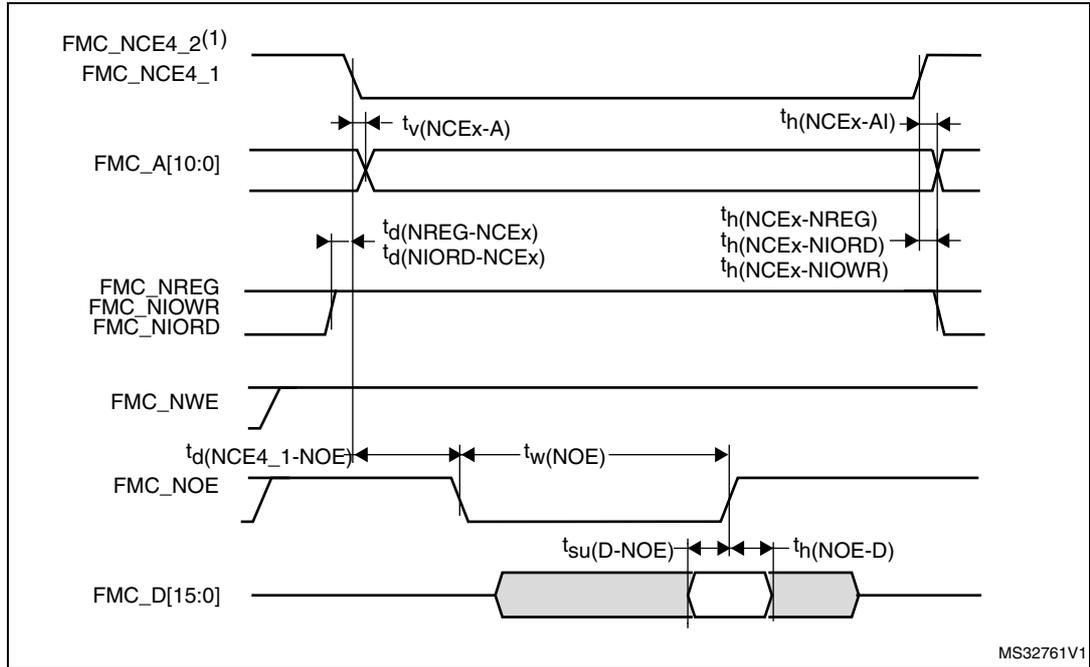
### PC Card/CompactFlash controller waveforms and timings

[Figure 64](#) through [Figure 69](#) represent synchronous waveforms, and [Table 100](#) and [Table 101](#) provide the corresponding timings. The results shown in this table are obtained with the following FMC configuration:

- COM.FMC\_SetupTime = 0x04;
- COM.FMC\_WaitSetupTime = 0x07;
- COM.FMC\_HoldSetupTime = 0x04;
- COM.FMC\_HiZSetupTime = 0x00;
- ATT.FMC\_SetupTime = 0x04;
- ATT.FMC\_WaitSetupTime = 0x07;
- ATT.FMC\_HoldSetupTime = 0x04;
- ATT.FMC\_HiZSetupTime = 0x00;
- IO.FMC\_SetupTime = 0x04;
- IO.FMC\_WaitSetupTime = 0x07;
- IO.FMC\_HoldSetupTime = 0x04;
- IO.FMC\_HiZSetupTime = 0x00;
- TCLRSetupTime = 0;
- TARSetupTime = 0.

In all timing tables, the  $T_{HCLK}$  is the HCLK clock period.

Figure 64. PC Card/CompactFlash controller waveforms for common memory read access



1. FMC\_NCE4\_2 remains high (inactive during 8-bit access).

Figure 65. PC Card/CompactFlash controller waveforms for common memory write access

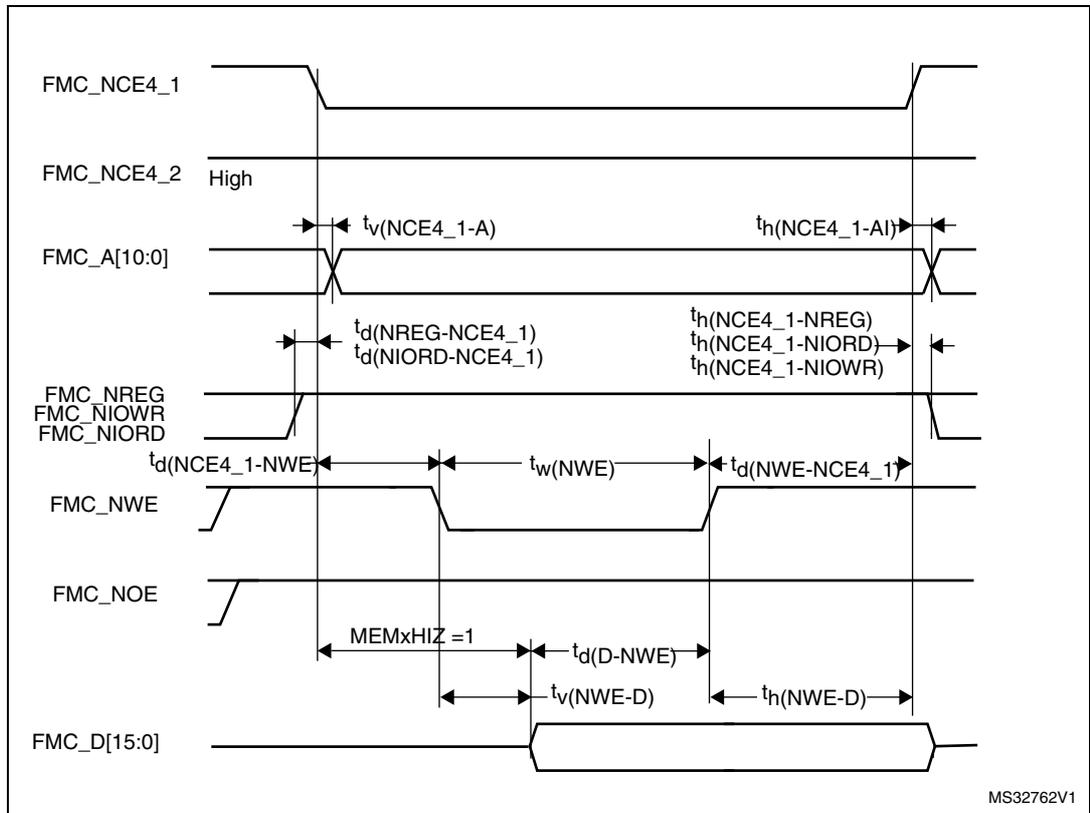
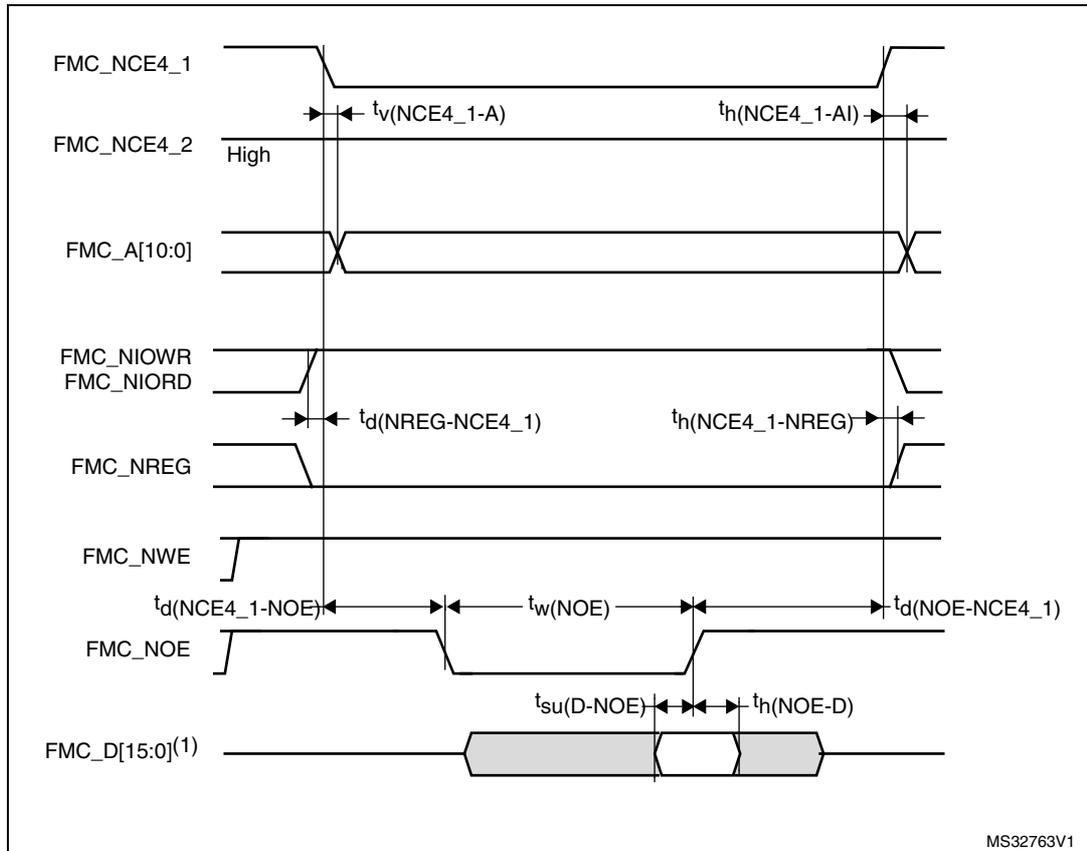
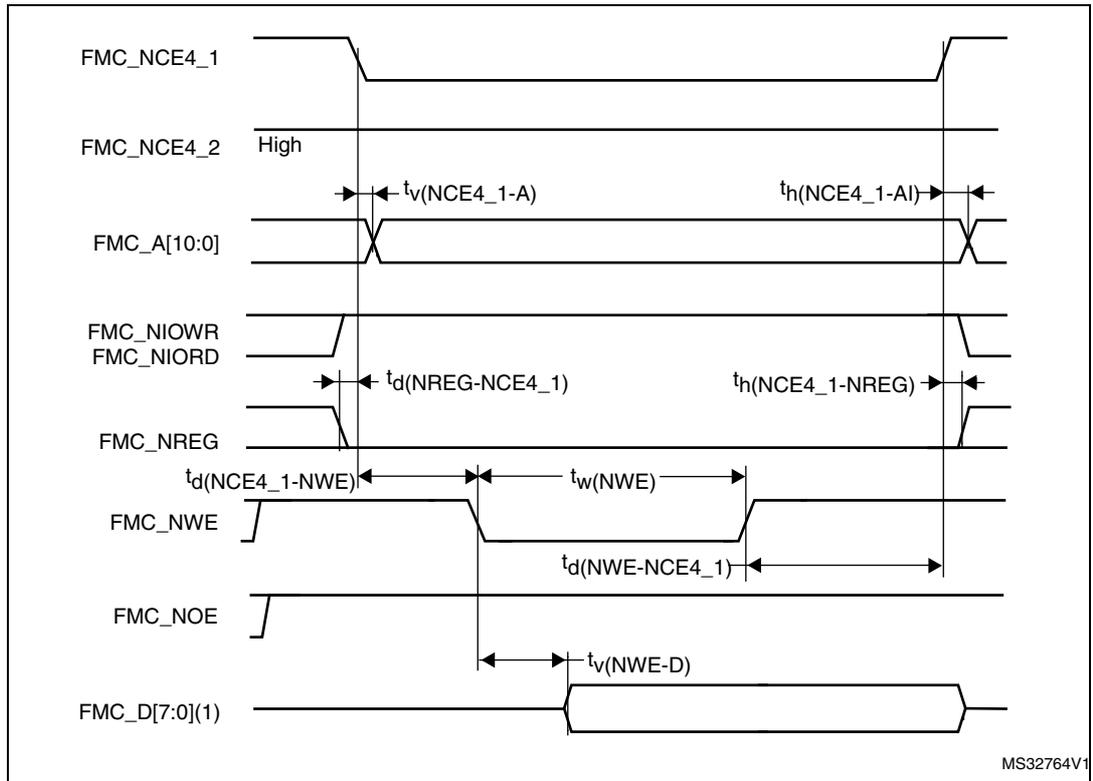


Figure 66. PC Card/CompactFlash controller waveforms for attribute memory read access



1. Only data bits 0...7 are read (bits 8...15 are disregarded).

**Figure 67. PC Card/CompactFlash controller waveforms for attribute memory write access**



1. Only data bits 0...7 are driven (bits 8...15 remains Hi-Z).

**Figure 68. PC Card/CompactFlash controller waveforms for I/O space read access**

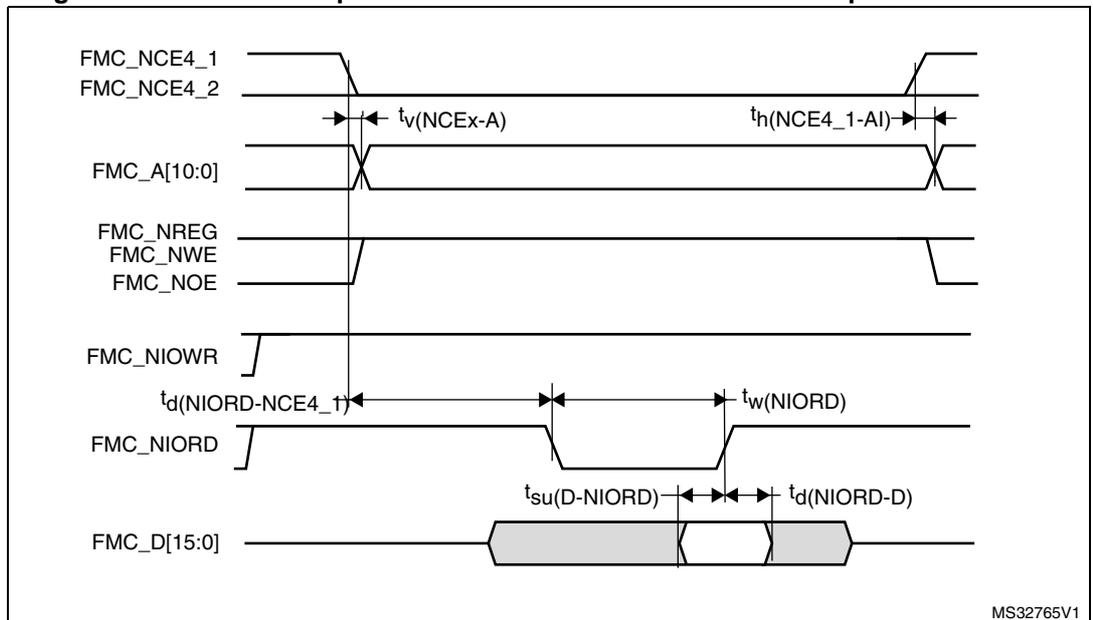
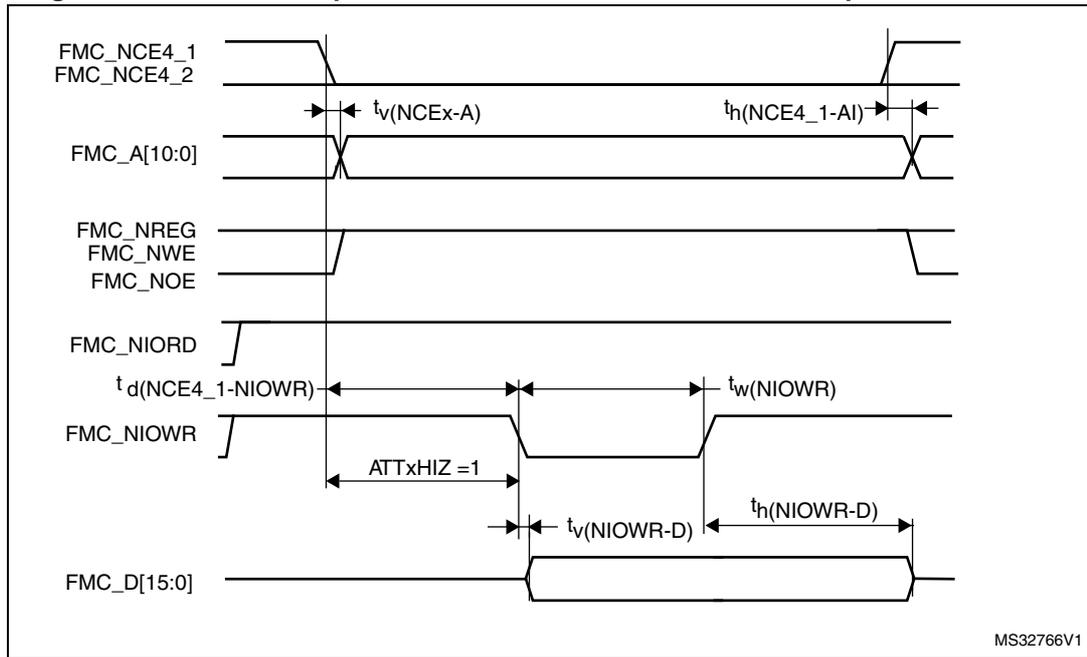


Figure 69. PC Card/CompactFlash controller waveforms for I/O space write access



MS32766V1

Table 100. Switching characteristics for PC Card/CF read and write cycles in attribute/common space<sup>(1)(2)</sup>

| Symbol             | Parameter                                  | Min             | Max             | Unit |
|--------------------|--|-----------------|-----------------|------|
| $t_{v(NCEx-A)}$    | FMC_Ncex low to FMC_Ay valid               | -               | 0               | ns   |
| $t_{h(NCEx-AI)}$   | FMC_NCEx high to FMC_Ax invalid            | 0               | -               | ns   |
| $t_{d(NREG-NCEx)}$ | FMC_NCEx low to FMC_NREG valid             | -               | 1               | ns   |
| $t_{h(NCEx-NREG)}$ | FMC_NCEx high to FMC_NREG invalid          | $T_{HCLK}-2$    | -               | ns   |
| $t_{d(NCEx-NWE)}$  | FMC_NCEx low to FMC_NWE low                | -               | $5T_{HCLK}$     | ns   |
| $t_{w(NWE)}$       | FMC_NWE low width                          | $8T_{HCLK}-0.5$ | $8T_{HCLK}+0.5$ | ns   |
| $t_{d(NWE-NCEx)}$  | FMC_NWE high to FMC_NCEx high              | $5T_{HCLK}+1$   | -               | ns   |
| $t_{v(NWE-D)}$     | FMC_NWE low to FMC_D[15:0] valid           | -               | 0               | ns   |
| $t_{h(NWE-D)}$     | FMC_NWE high to FMC_D[15:0] invalid        | $9T_{HCLK}-0.5$ | -               | ns   |
| $t_{d(D-NWE)}$     | FMC_D[15:0] valid before FMC_NWE high      | $13T_{HCLK}-3$  | -               | ns   |
| $t_{d(NCEx-NOE)}$  | FMC_NCEx low to FMC_NOE low                | -               | $5T_{HCLK}$     | ns   |
| $t_{w(NOE)}$       | FMC_NOE low width                          | $8T_{HCLK}-0.5$ | $8T_{HCLK}+0.5$ | ns   |
| $t_{d(NOE-NCEx)}$  | FMC_NOE high to FMC_NCEx high              | $5T_{HCLK}-1$   | -               | ns   |
| $t_{su(D-NOE)}$    | FMC_D[15:0] valid data before FMC_NOE high | $T_{HCLK}$      | -               | ns   |
| $t_{h(NOE-D)}$     | FMC_NOE high to FMC_D[15:0] invalid        | 0               | -               | ns   |

1.  $C_L = 30$  pF.
2. Based on characterization, not tested in production.

**Table 101. Switching characteristics for PC Card/CF read and write cycles in I/O space<sup>(1)(2)</sup>**

| Symbol           | Parameter                               | Min             | Max             | Unit |
|------------------|---|-----------------|-----------------|------|
| tw(NIOWR)        | FMC_NIOWR low width                     | $8T_{HCLK}-0.5$ | -               | ns   |
| tv(NIOWR-D)      | FMC_NIOWR low to FMC_D[15:0] valid      | -               | 0               | ns   |
| th(NIOWR-D)      | FMC_NIOWR high to FMC_D[15:0] invalid   | $9T_{HCLK}-2$   | -               | ns   |
| td(NCE4_1-NIOWR) | FMC_NCE4_1 low to FMC_NIOWR valid       | -               | $5T_{HCLK}$     | ns   |
| th(NCEx-NIOWR)   | FMC_NCEx high to FMC_NIOWR invalid      | $5T_{HCLK}$     | -               | ns   |
| td(NIORD-NCEx)   | FMC_NCEx low to FMC_NIORD valid         | -               | $5T_{HCLK}$     | ns   |
| th(NCEx-NIORD)   | FMC_NCEx high to FMC_NIORD) valid       | $6T_{HCLK}+2$   | -               | ns   |
| tw(NIORD)        | FMC_NIORD low width                     | $8T_{HCLK}-0.5$ | $8T_{HCLK}+0.5$ | ns   |
| tsu(D-NIORD)     | FMC_D[15:0] valid before FMC_NIORD high | $T_{HCLK}$      | -               | ns   |
| td(NIORD-D)      | FMC_D[15:0] valid after FMC_NIORD high  | 0               | -               | ns   |

1.  $C_L = 30$  pF.

2. Based on characterization, not tested in production.

### NAND controller waveforms and timings

[Figure 70](#) through [Figure 73](#) represent synchronous waveforms, and [Table 102](#) and [Table 103](#) provide the corresponding timings. The results shown in this table are obtained with the following FMC configuration:

- COM.FMC\_SetupTime = 0x01;
- COM.FMC\_WaitSetupTime = 0x03;
- COM.FMC\_HoldSetupTime = 0x02;
- COM.FMC\_HiZSetupTime = 0x01;
- ATT.FMC\_SetupTime = 0x01;
- ATT.FMC\_WaitSetupTime = 0x03;
- ATT.FMC\_HoldSetupTime = 0x02;
- ATT.FMC\_HiZSetupTime = 0x01;
- Bank = FMC\_Bank\_NAND;
- MemoryDataWidth = FMC\_MemoryDataWidth\_16b;
- ECC = FMC\_ECC\_Enable;
- ECCPageSize = FMC\_ECCPageSize\_512Bytes;
- TCLRSetupTime = 0;
- TARSetupTime = 0.

In all timing tables, the  $T_{HCLK}$  is the HCLK clock period.

Figure 70. NAND controller waveforms for read access

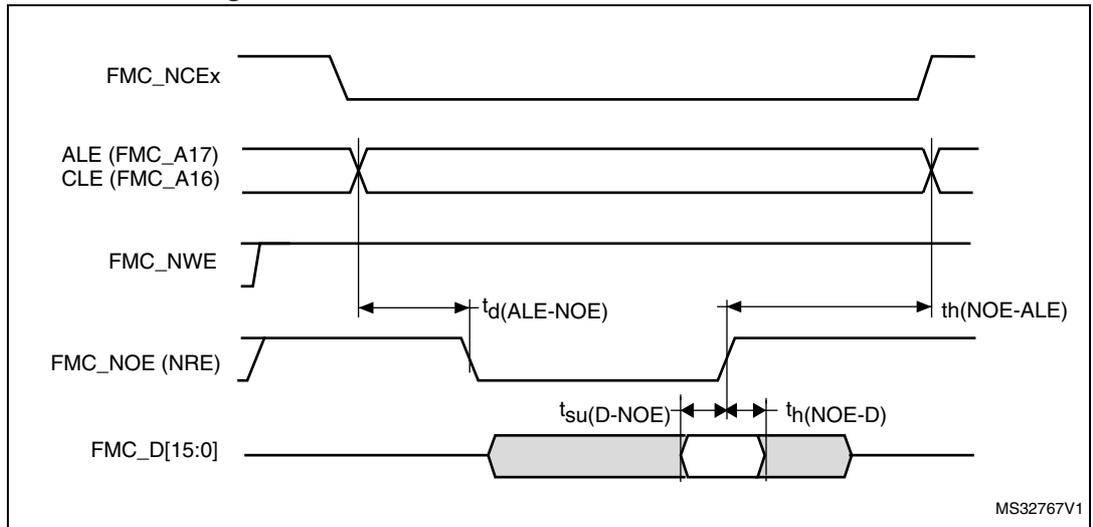


Figure 71. NAND controller waveforms for write access

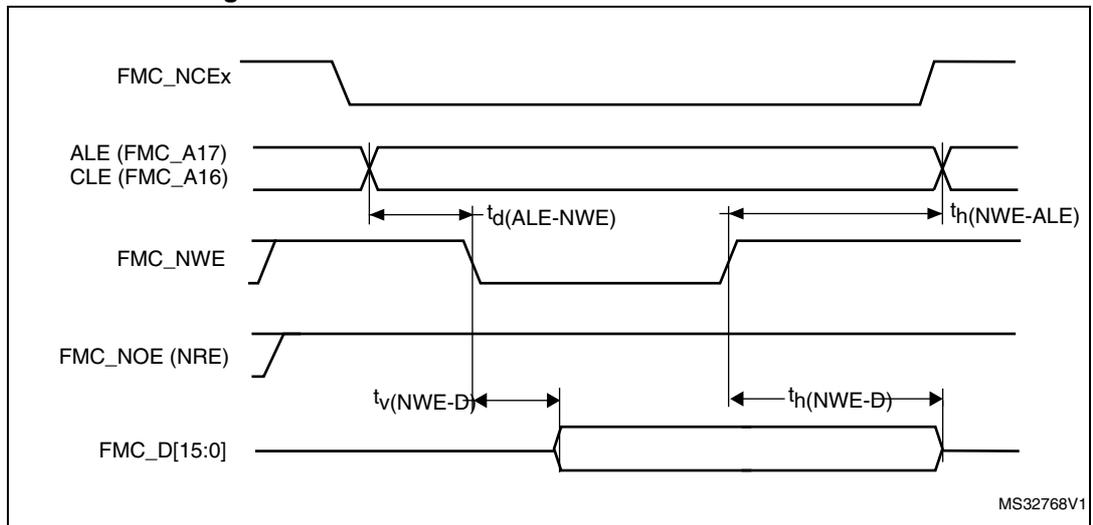


Figure 72. NAND controller waveforms for common memory read access

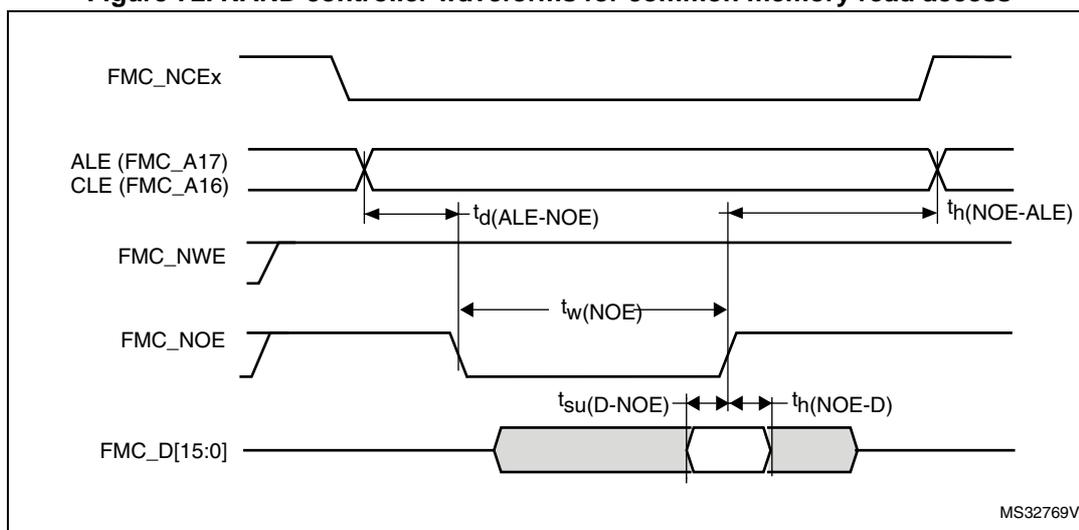


Figure 73. NAND controller waveforms for common memory write access

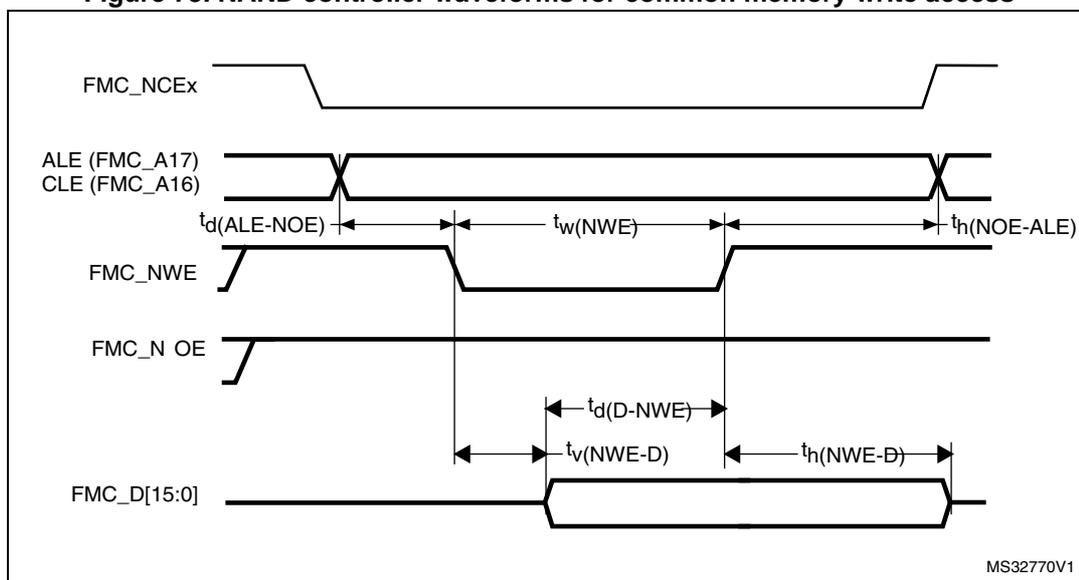


Table 102. Switching characteristics for NAND Flash read cycles<sup>(1)</sup>

| Symbol                 | Parameter                                  | Min                    | Max                    | Unit |
|------------------------|--|------------------------|------------------------|------|
| $t_w(\text{NOE})$      | FMC_NOE low width                          | $4T_{\text{HCLK}}-0.5$ | $4T_{\text{HCLK}}+0.5$ | ns   |
| $t_{su}(\text{D-NOE})$ | FMC_D[15-0] valid data before FMC_NOE high | 9                      | -                      | ns   |
| $t_h(\text{NOE-D})$    | FMC_D[15-0] valid data after FMC_NOE high  | 0                      | -                      | ns   |
| $t_d(\text{ALE-NOE})$  | FMC_ALE valid before FMC_NOE low           | -                      | $3T_{\text{HCLK}}-0.5$ | ns   |
| $t_h(\text{NOE-ALE})$  | FMC_NWE high to FMC_ALE invalid            | $3T_{\text{HCLK}}-2$   | -                      | ns   |

1.  $C_L = 30 \text{ pF}$ .

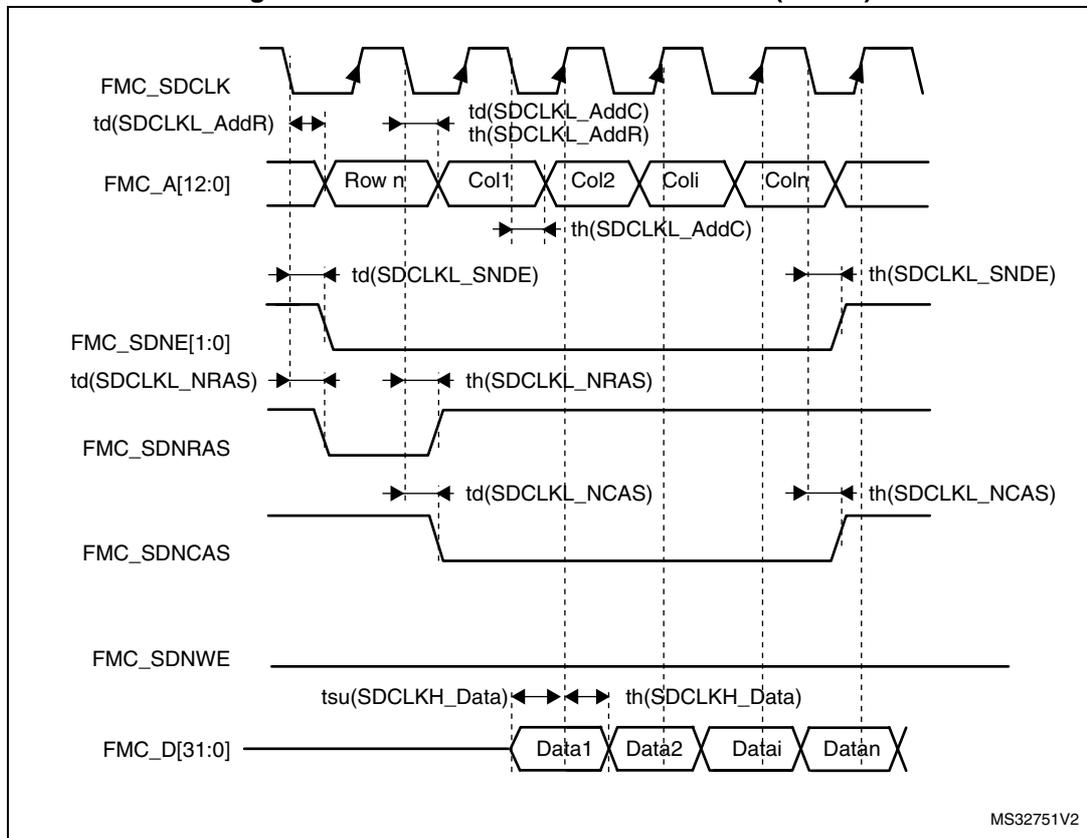
Table 103. Switching characteristics for NAND Flash write cycles<sup>(1)</sup>

| Symbol           | Parameter                             | Min           | Max             | Unit |
|------------------|---------------------------------------|---------------|-----------------|------|
| $t_{w(NWE)}$     | FMC_NWE low width                     | $4T_{HCLK}$   | $4T_{HCLK}+1$   | ns   |
| $t_{v(NWE-D)}$   | FMC_NWE low to FMC_D[15-0] valid      | 0             | -               | ns   |
| $t_{h(NWE-D)}$   | FMC_NWE high to FMC_D[15-0] invalid   | $3T_{HCLK}-1$ | -               | ns   |
| $t_{d(D-NWE)}$   | FMC_D[15-0] valid before FMC_NWE high | $5T_{HCLK}-3$ | -               | ns   |
| $t_{d(ALE-NWE)}$ | FMC_ALE valid before FMC_NWE low      | -             | $3T_{HCLK}-0.5$ | ns   |
| $t_{h(NWE-ALE)}$ | FMC_NWE high to FMC_ALE invalid       | $3T_{HCLK}-1$ | -               | ns   |

1.  $C_L = 30$  pF.

SDRAM waveforms and timings

Figure 74. SDRAM read access waveforms (CL = 1)



MS32751V2

**Table 104. SDRAM read timings<sup>(1)(2)</sup>**

| Symbol                  | Parameter              | Min             | Max             | Unit |
|-------------------------|------------------------|-----------------|-----------------|------|
| $t_{w(SDCLK)}$          | FMC_SDCLK period       | $2T_{HCLK}-0.5$ | $2T_{HCLK}+0.5$ | ns   |
| $t_{su(SDCLKH\_Data)}$  | Data input setup time  | 2               | -               |      |
| $t_{h(SDCLKH\_Data)}$   | Data input hold time   | 0               | -               |      |
| $t_{d(SDCLKL\_Add)}$    | Address valid time     | -               | 1.5             |      |
| $t_{d(SDCLKL\_SDNE)}$   | Chip select valid time | -               | 0.5             |      |
| $t_{h(SDCLKL\_SDNE)}$   | Chip select hold time  | 0               | -               |      |
| $t_{d(SDCLKL\_SDNRAS)}$ | SDNRAS valid time      | -               | 0.5             |      |
| $t_{h(SDCLKL\_SDNRAS)}$ | SDNRAS hold time       | 0               | -               |      |
| $t_{d(SDCLKL\_SDNCAS)}$ | SDNCAS valid time      | -               | 0.5             |      |
| $t_{h(SDCLKL\_SDNCAS)}$ | SDNCAS hold time       | 0               | -               |      |

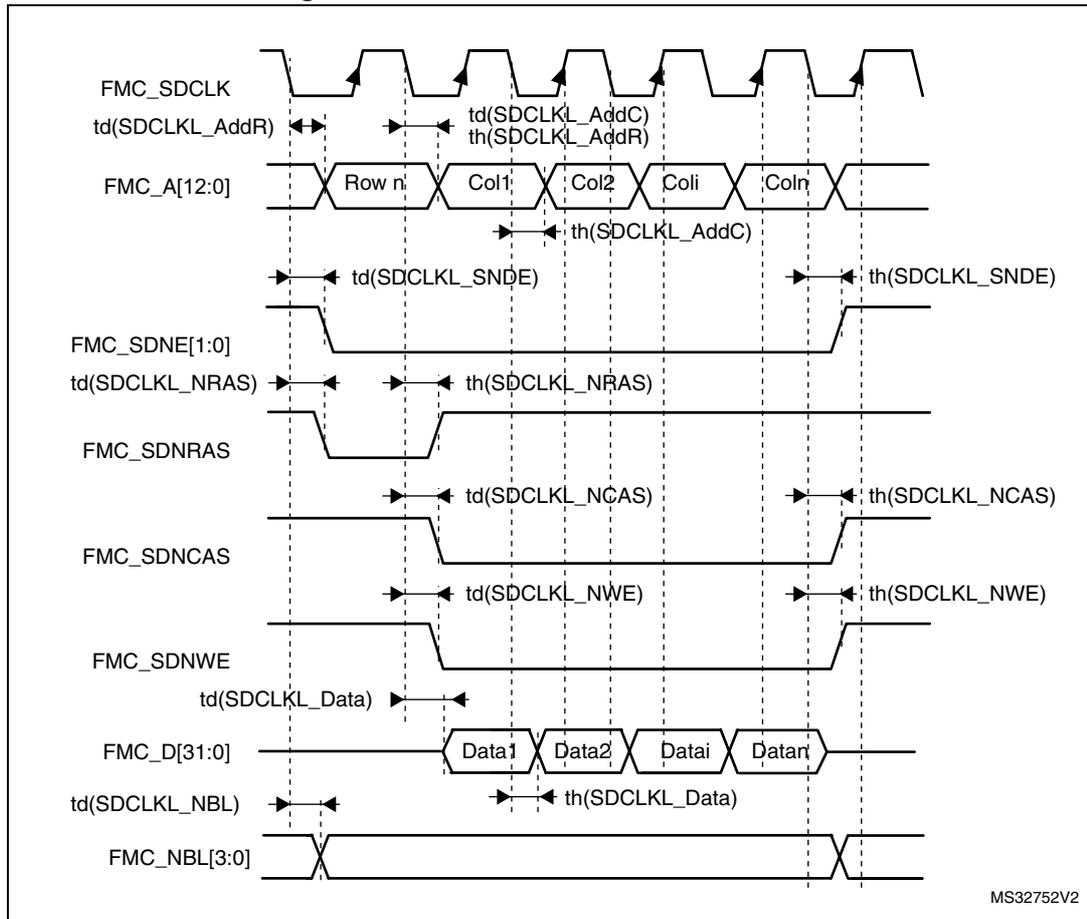
1. CL = 30 pF on data and address lines. CL=15pF on FMC\_SDCLK.
2. Guaranteed by characterization results, not tested in production.

**Table 105. LPDDR SDRAM read timings<sup>(1)(2)</sup>**

| Symbol                  | Parameter              | Min             | Max             | Unit |
|-------------------------|------------------------|-----------------|-----------------|------|
| $t_{w(SDCLK)}$          | FMC_SDCLK period       | $2T_{HCLK}-0.5$ | $2T_{HCLK}+0.5$ | ns   |
| $t_{su(SDCLKH\_Data)}$  | Data input setup time  | 2.5             | -               |      |
| $t_{h(SDCLKH\_Data)}$   | Data input hold time   | 0               | -               |      |
| $t_{d(SDCLKL\_Add)}$    | Address valid time     | -               | 1               |      |
| $t_{d(SDCLKL\_SDNE)}$   | Chip select valid time | -               | 1               |      |
| $t_{h(SDCLKL\_SDNE)}$   | Chip select hold time  | 1               | -               |      |
| $t_{d(SDCLKL\_SDNRAS)}$ | SDNRAS valid time      | -               | 1               |      |
| $t_{h(SDCLKL\_SDNRAS)}$ | SDNRAS hold time       | 1               | -               |      |
| $t_{d(SDCLKL\_SDNCAS)}$ | SDNCAS valid time      | -               | 1               |      |
| $t_{h(SDCLKL\_SDNCAS)}$ | SDNCAS hold time       | 1               | -               |      |

1. CL = 10 pF.
2. Guaranteed by characterization results, not tested in production.

Figure 75. SDRAM write access waveforms



**Table 106. SDRAM write timings<sup>(1)(2)</sup>**

| Symbol                  | Parameter              | Min             | Max             | Unit |
|-------------------------|------------------------|-----------------|-----------------|------|
| $t_{w(SDCLK)}$          | FMC_SDCLK period       | $2T_{HCLK}-0.5$ | $2T_{HCLK}+0.5$ | ns   |
| $t_{d(SDCLKL\_Data)}$   | Data output valid time | -               | 2.5             |      |
| $t_{h(SDCLKL\_Data)}$   | Data output hold time  | 3.5             | -               |      |
| $t_{d(SDCLKL\_Add)}$    | Address valid time     | -               | 1.5             |      |
| $t_{d(SDCLKL\_SDNWE)}$  | SDNWE valid time       | -               | 1               |      |
| $t_{h(SDCLKL\_SDNWE)}$  | SDNWE hold time        | 0               | -               |      |
| $t_{d(SDCLKL\_SDNE)}$   | Chip select valid time | -               | 0.5             |      |
| $t_{h(SDCLKL\_SDNE)}$   | Chip select hold time  | 0               | -               |      |
| $t_{d(SDCLKL\_SDNRAS)}$ | SDNRAS valid time      | -               | 2               |      |
| $t_{h(SDCLKL\_SDNRAS)}$ | SDNRAS hold time       | 0               | -               |      |
| $t_{d(SDCLKL\_SDNCAS)}$ | SDNCAS valid time      | -               | 0.5             |      |
| $t_{d(SDCLKL\_SDNCAS)}$ | SDNCAS hold time       | 0               | -               |      |
| $t_{d(SDCLKL\_NBL)}$    | NBL valid time         | -               | 0.5             |      |
| $t_{h(SDCLKL\_NBL)}$    | NBLoutput time         | 0               | -               |      |

1. CL = 30 pF on data and address lines. CL=15pF on FMC\_SDCLK.
2. Guaranteed by characterization results, not tested in production.

**Table 107. LPSDR SDRAM write timings<sup>(1)(2)</sup>**

| Symbol                 | Parameter              | Min             | Max             | Unit |
|------------------------|------------------------|-----------------|-----------------|------|
| $t_{w(SDCLK)}$         | FMC_SDCLK period       | $2T_{HCLK}-0.5$ | $2T_{HCLK}+0.5$ | ns   |
| $t_{d(SDCLKL\_Data)}$  | Data output valid time | -               | 5               |      |
| $t_{h(SDCLKL\_Data)}$  | Data output hold time  | 2               | -               |      |
| $t_{d(SDCLKL\_Add)}$   | Address valid time     | -               | 2.8             |      |
| $t_{d(SDCLKL-SDNWE)}$  | SDNWE valid time       | -               | 2               |      |
| $t_{h(SDCLKL-SDNWE)}$  | SDNWE hold time        | 1               | -               |      |
| $t_{d(SDCLKL-SDNE)}$   | Chip select valid time | -               | 1.5             |      |
| $t_{h(SDCLKL-SDNE)}$   | Chip select hold time  | 1               | -               |      |
| $t_{d(SDCLKL-SDNRAS)}$ | SDNRAS valid time      | -               | 1.5             |      |
| $t_{h(SDCLKL-SDNRAS)}$ | SDNRAS hold time       | 1.5             | -               |      |
| $t_{d(SDCLKL-SDNCAS)}$ | SDNCAS valid time      | -               | 1.5             |      |
| $t_{d(SDCLKL-SDNCAS)}$ | SDNCAS hold time       | 1.5             | -               |      |
| $t_{d(SDCLKL\_NBL)}$   | NBL valid time         | -               | 1.5             |      |
| $t_{h(SDCLKL-NBL)}$    | NBLoutput time         | 1.5             | -               |      |

1. CL = 10 pF.

2. Guaranteed by characterization results, not tested in production.

### 6.3.27 Camera interface (DCMI) timing specifications

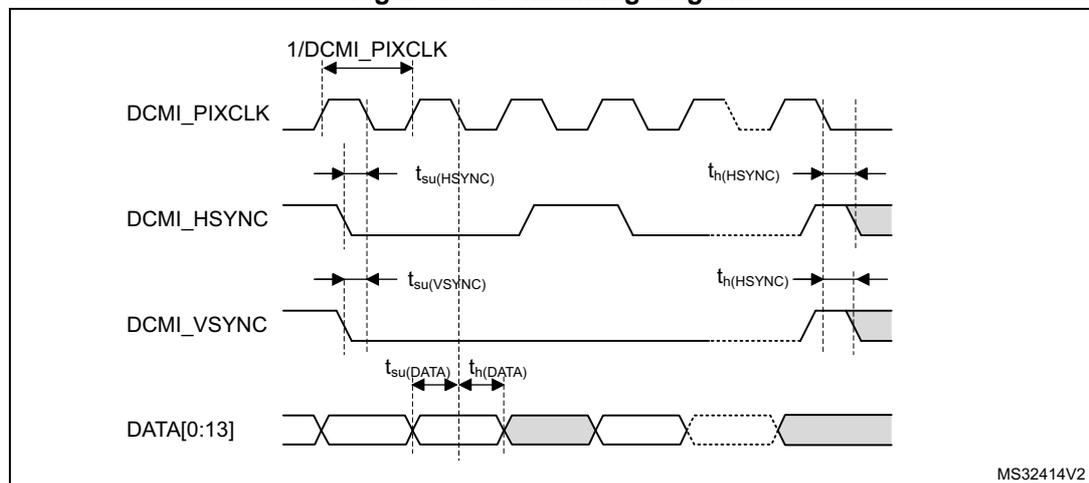
Unless otherwise specified, the parameters given in [Table 108](#) for DCMI are derived from tests performed under the ambient temperature,  $f_{HCLK}$  frequency and  $V_{DD}$  supply voltage summarized in [Table 17](#), with the following configuration:

- DCMI\_PIXCLK polarity: falling
- DCMI\_VSYNC and DCMI\_HSYNC polarity: high
- Data formats: 14 bits

**Table 108. DCMI characteristics**

| Symbol                             | Parameter                               | Min | Max | Unit |
|------------------------------------|---|-----|-----|------|
|                                    | Frequency ratio DCMI_PIXCLK/ $f_{HCLK}$ | -   | 0.4 |      |
| DCMI_PIXCLK                        | Pixel clock input                       | -   | 54  | MHz  |
| $D_{Pixel}$                        | Pixel clock input duty cycle            | 30  | 70  | %    |
| $t_{su(DATA)}$                     | Data input setup time                   | 2   | -   | ns   |
| $t_h(DATA)$                        | Data input hold time                    | 2.5 | -   |      |
| $t_{su(HSYNC)}$<br>$t_{su(VSYNC)}$ | DCMI_HSYNC/DCMI_VSYNC input setup time  | 0.5 | -   |      |
| $t_h(HSYNC)$<br>$t_h(VSYNC)$       | DCMI_HSYNC/DCMI_VSYNC input hold time   | 1   | -   |      |

**Figure 76. DCMI timing diagram**



**6.3.28 LCD-TFT controller (LTDC) characteristics**

Unless otherwise specified, the parameters given in [Table 109](#) for LCD-TFT are derived from tests performed under the ambient temperature,  $f_{CLK}$  frequency and VDD supply voltage summarized in [Table 17](#), with the following configuration:

- LCD\_CLK polarity: high
- LCD\_DE polarity : low
- LCD\_VSYNC and LCD\_HSYNC polarity: high
- Pixel formats: 24 bits

**Table 109. LTDC characteristics**

| Symbol                         | Parameter                        | Min              | Max              | Unit |
|--------------------------------|----------------------------------|------------------|------------------|------|
| $f_{CLK}$                      | LTDC clock output frequency      | -                | 42               | MHz  |
| $D_{CLK}$                      | LTDC clock output duty cycle     | 45               | 55               | %    |
| $t_{w(CLKH)}$<br>$t_{w(CLKL)}$ | Clock High time, low time        | $t_w(CLK)/2-0.5$ | $t_w(CLK)/2+0.5$ | ns   |
| $t_{v(DATA)}$                  | Data output valid time           | -                | 3.5              |      |
| $t_{h(DATA)}$                  | Data output hold time            | 1.5              | -                |      |
| $t_{v(HSYNC)}$                 | HSYNC/VSYNC/DE output valid time | -                | 2.5              |      |
| $t_{v(VSYNC)}$                 |                                  |                  |                  |      |
| $t_{v(DE)}$                    |                                  |                  |                  |      |
| $t_{h(HSYNC)}$                 | HSYNC/VSYNC/DE output hold time  | 2                | -                |      |
| $t_{h(VSYNC)}$                 |                                  |                  |                  |      |
| $t_{h(DE)}$                    |                                  |                  |                  |      |

Figure 77. LCD-TFT horizontal timing diagram

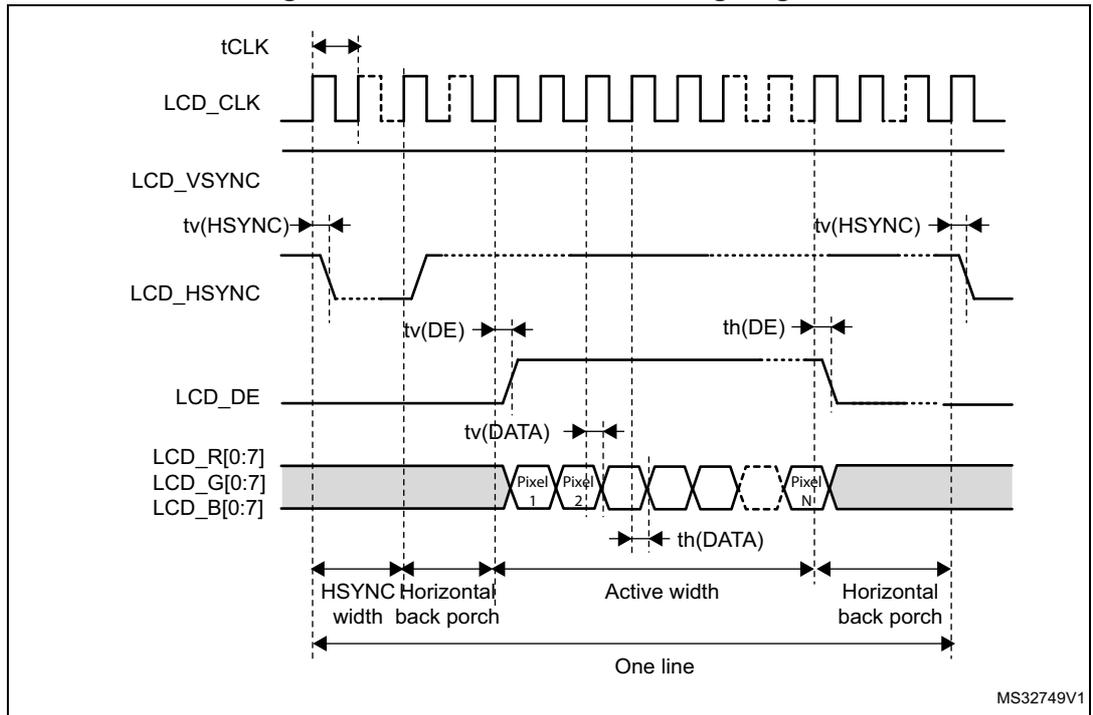
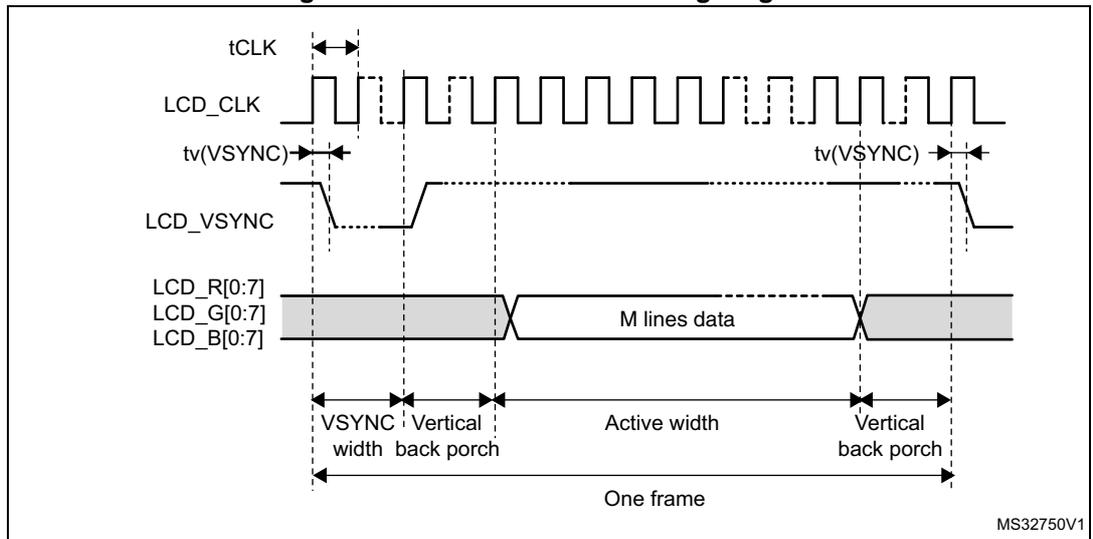


Figure 78. LCD-TFT vertical timing diagram



### 6.3.29 SD/SDIO MMC card host interface (SDIO) characteristics

Unless otherwise specified, the parameters given in [Table 110](#) for the SDIO/MMC interface are derived from tests performed under the ambient temperature,  $f_{PCLK2}$  frequency and  $V_{DD}$  supply voltage conditions summarized in [Table 17](#), with the following configuration:

- Output speed is set to  $OSPEEDRy[1:0] = 10$
- Capacitive load  $C = 30\text{ pF}$
- Measurement points are done at CMOS levels:  $0.5V_{DD}$

Refer to [Section 6.3.17: I/O port characteristics](#) for more details on the input/output characteristics.

Figure 79. SDIO high-speed mode

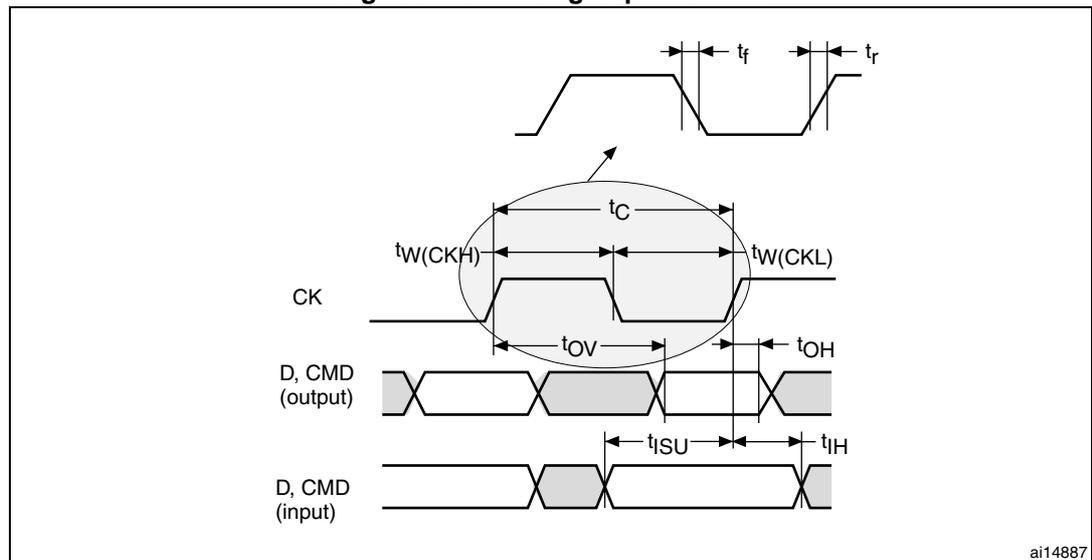
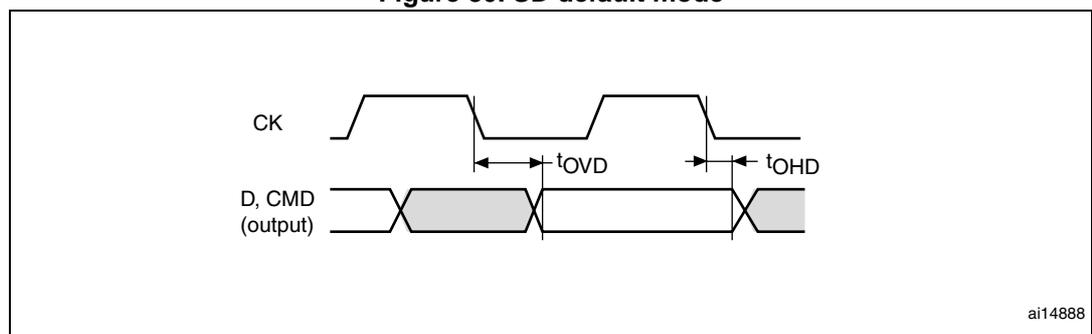


Figure 80. SD default mode



**Table 110. Dynamic characteristics: SD / MMC characteristics<sup>(1)(2)</sup>**

| Symbol   | Parameter                             | Conditions             | Min | Typ | Max | Unit |
|--|---------------------------------------|------------------------|-----|-----|-----|------|
| f <sub>PP</sub>  | Clock frequency in data transfer mode |                        | 0   |     | 48  | MHz  |
| -  | SDIO_CK/fPCLK2 frequency ratio        |                        | -   | -   | 8/3 | -    |
| t <sub>W(CKL)</sub>  | Clock low time                        | f <sub>pp</sub> =48MHz | 8.5 | 9   | -   | ns   |
| t <sub>W(CKH)</sub>  | Clock high time                       | f <sub>pp</sub> =48MHz | 8.3 | 10  | -   |      |
| <b>CMD, D inputs (referenced to CK) in MMC and SD HS mode</b>  |                                       |                        |     |     |     |      |
| t <sub>ISU</sub>   | Input setup time HS                   | f <sub>pp</sub> =48MHz | 3.5 | -   | -   | ns   |
| t <sub>IH</sub>  | Input hold time HS                    | f <sub>pp</sub> =48MHz | 0   | -   | -   |      |
| <b>CMD, D outputs (referenced to CK) in MMC and SD HS mode</b> |                                       |                        |     |     |     |      |
| t <sub>OV</sub>  | Output valid time HS                  | f <sub>pp</sub> =48MHz | -   | 4.5 | 7   | ns   |
| t <sub>OH</sub>  | Output hold time HS                   | f <sub>pp</sub> =48MHz | 3   | -   | -   |      |
| <b>CMD, D inputs (referenced to CK) in SD default mode</b>     |                                       |                        |     |     |     |      |
| t <sub>ISUD</sub>  | Input setup time SD                   | f <sub>pp</sub> =24MHz | 1.5 | -   | -   | ns   |
| t <sub>IHD</sub>   | Input hold time SD                    | f <sub>pp</sub> =24MHz | 0.5 | -   | -   |      |
| <b>CMD, D outputs (referenced to CK) in SD default mode</b>    |                                       |                        |     |     |     |      |
| t <sub>OVD</sub>   | Output valid default time SD          | f <sub>pp</sub> =24MHz | -   | 4.5 | 6.5 | ns   |
| t <sub>OHD</sub>   | Output hold default time SD           | f <sub>pp</sub> =24MHz | 3.5 | -   | -   |      |

1. Guaranteed by characterization results, not tested in production.

2. V<sub>DD</sub> = 2.7 to 3.6 V.

### 6.3.30 RTC characteristics

**Table 111. RTC characteristics**

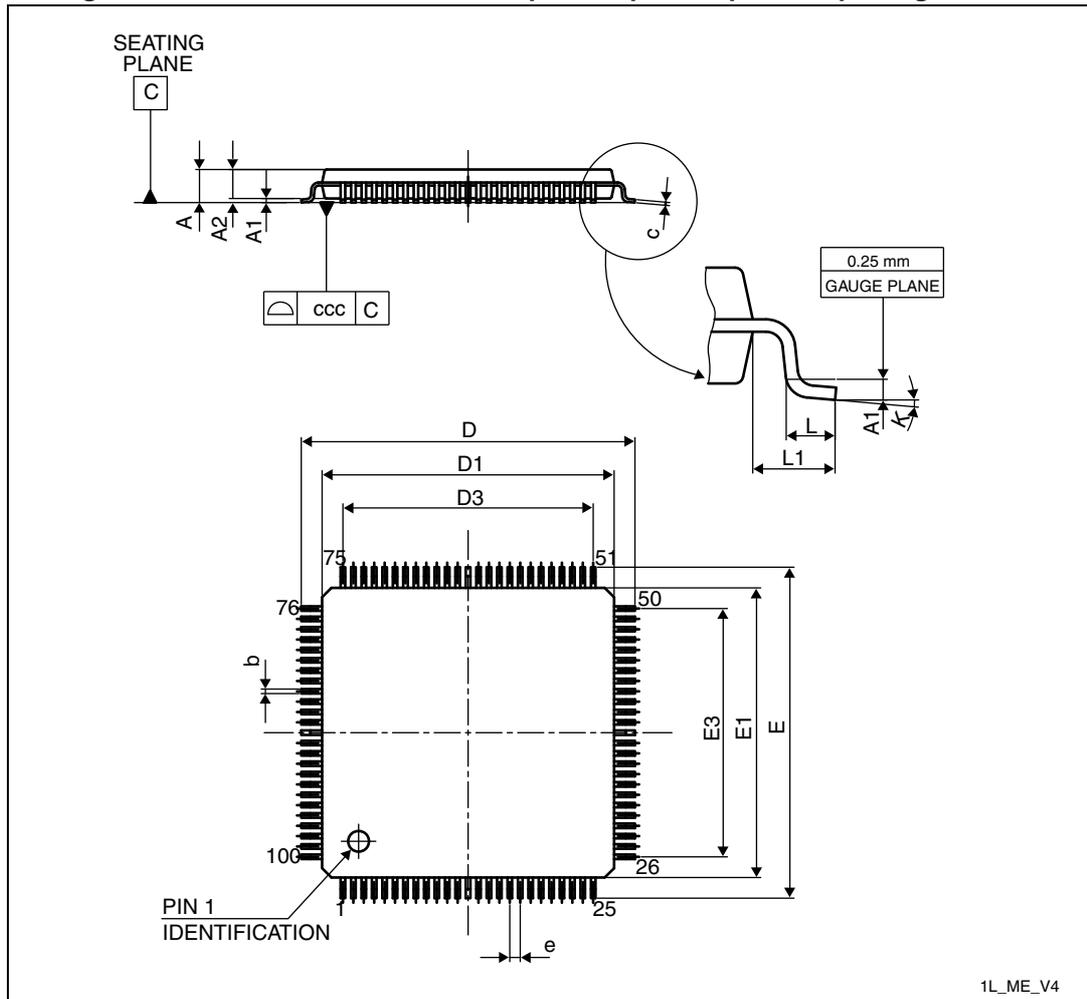
| Symbol | Parameter                                  | Conditions                                       | Min | Max |
|--------|--|--|-----|-----|
| -      | f <sub>PCLK1</sub> /RTCCLK frequency ratio | Any read/write operation from/to an RTC register | 4   | -   |

## 7 Package characteristics

### 7.1 Package mechanical data

In order to meet environmental requirements, ST offers these devices in different grades of ECOPACK® packages, depending on their level of environmental compliance. ECOPACK® specifications, grade definitions and product status are available at: [www.st.com](http://www.st.com). ECOPACK® is an ST trademark.

Figure 81. LQFP100, 14 x 14 mm 100-pin low-profile quad flat package outline



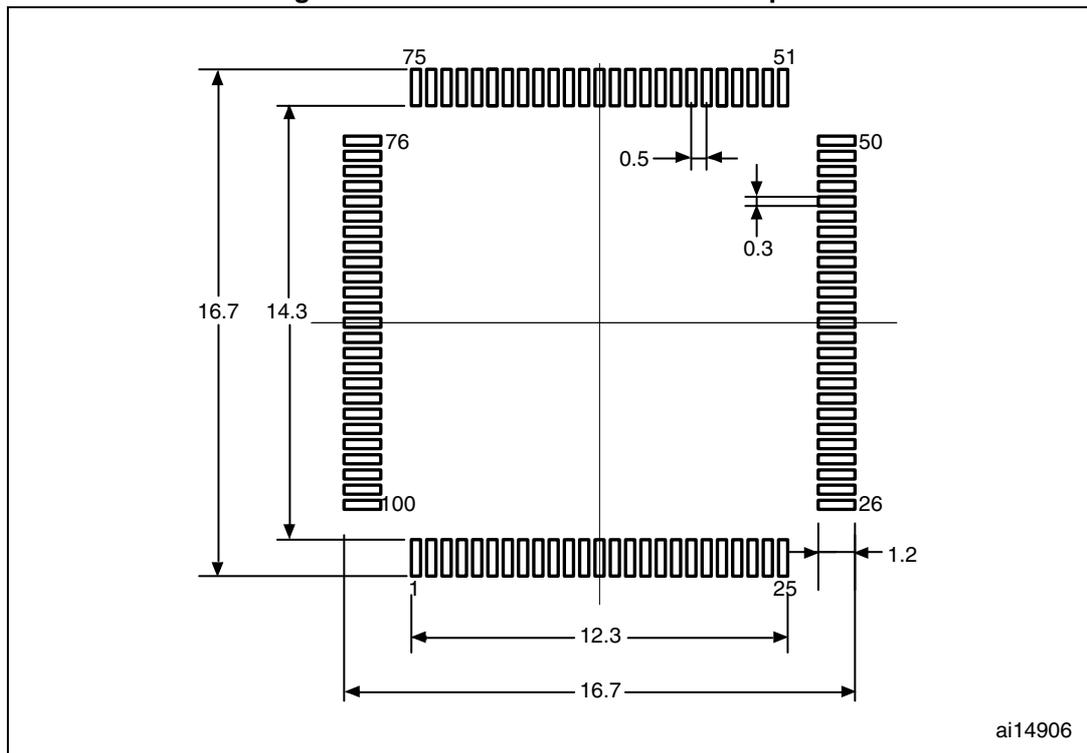
1. Drawing is not to scale.

Table 112. LQPF100, 14 x 14 mm 100-pin low-profile quad flat package mechanical data

| Symbol | millimeters |        |        | inches <sup>(1)</sup> |        |        |
|--------|-------------|--------|--------|-----------------------|--------|--------|
|        | Min         | Typ    | Max    | Min                   | Typ    | Max    |
| A      | -           | -      | 1.600  | -                     | -      | 0.0630 |
| A1     | 0.050       | -      | 0.150  | 0.0020                | -      | 0.0059 |
| A2     | 1.350       | 1.400  | 1.450  | 0.0531                | 0.0551 | 0.0571 |
| b      | 0.170       | 0.220  | 0.270  | 0.0067                | 0.0087 | 0.0106 |
| c      | 0.090       | -      | 0.200  | 0.0035                | -      | 0.0079 |
| D      | 15.800      | 16.000 | 16.200 | 0.6220                | 0.6299 | 0.6378 |
| D1     | 13.800      | 14.000 | 14.200 | 0.5433                | 0.5512 | 0.5591 |
| D3     | -           | 12.000 | -      | -                     | 0.4724 | -      |
| E      | 15.800      | 16.000 | 16.200 | 0.6220                | 0.6299 | 0.6378 |
| E1     | 13.800      | 14.000 | 14.200 | 0.5433                | 0.5512 | 0.5591 |
| E3     | -           | 12.000 | -      | -                     | 0.4724 | -      |
| e      | -           | 0.500  | -      | -                     | 0.0197 | -      |
| L      | 0.450       | 0.600  | 0.750  | 0.0177                | 0.0236 | 0.0295 |
| L1     | -           | 1.000  | -      | -                     | 0.0394 | -      |
| k      | 0°          | 3.5°   | 7°     | 0°                    | 3.5°   | 7°     |
| ccc    | -           | -      | 0.080  | -                     | -      | 0.0031 |

1. Values in inches are converted from mm and rounded to 4 decimal digits.

Figure 82. LQPF100 recommended footprint



1. Dimensions are expressed in millimeters.

Device marking

Figure 83. LQFP100 marking (package top view)

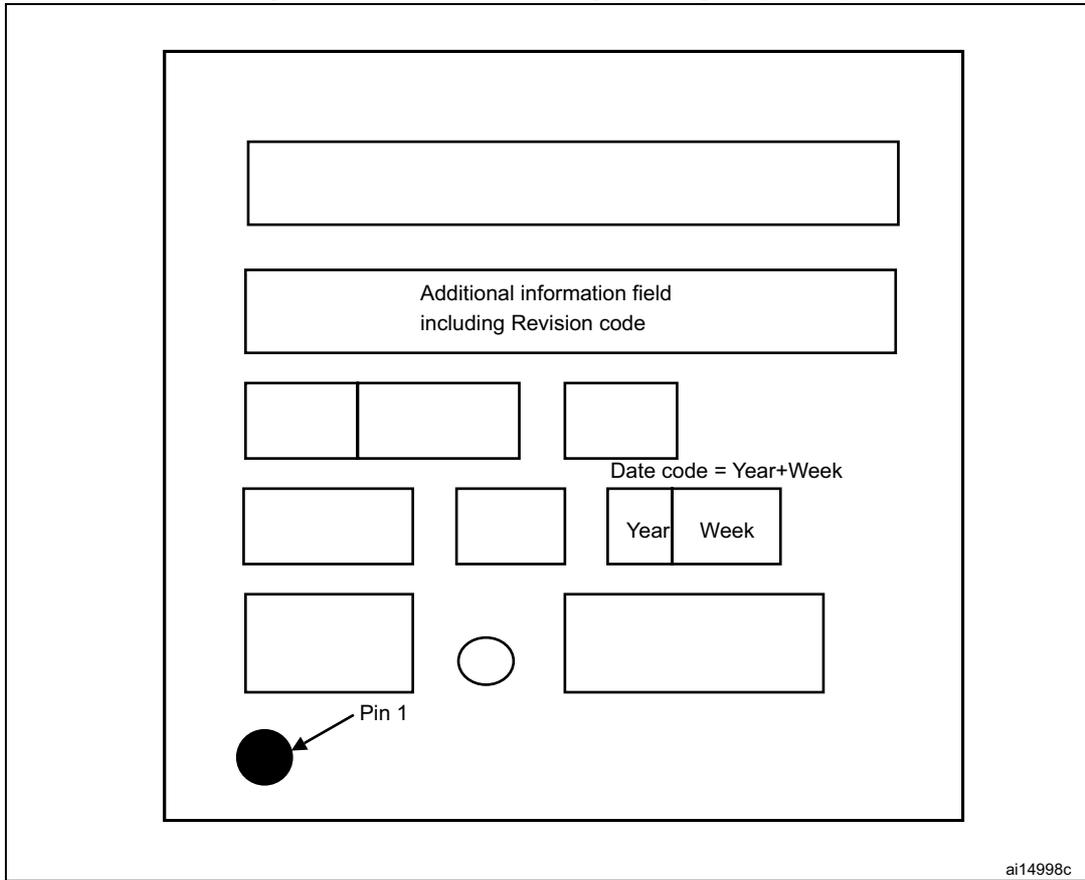
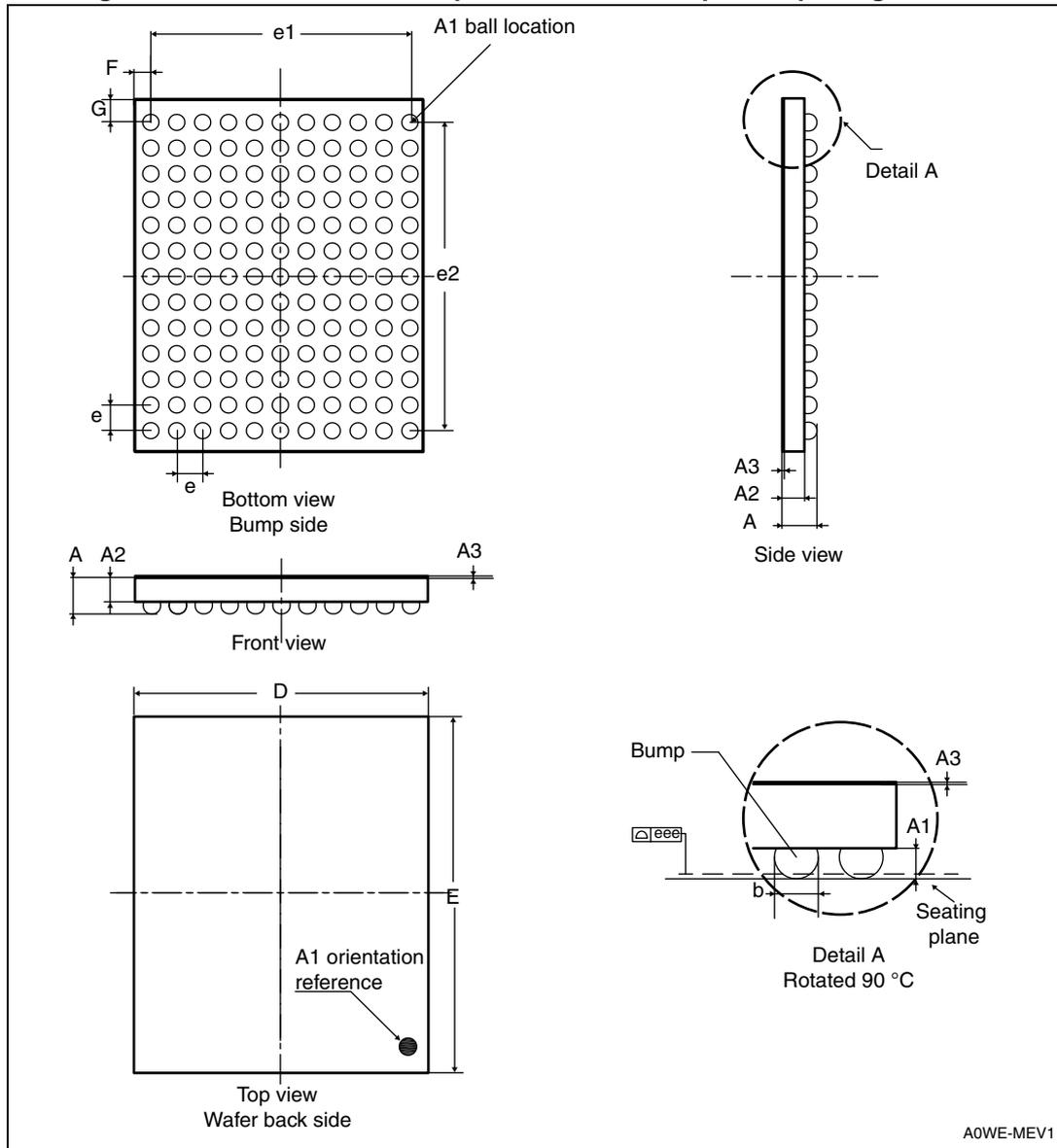


Figure 84. WLCSP143, 0.4 mm pitch wafer level chip scale package outline



1. Drawing is not to scale.

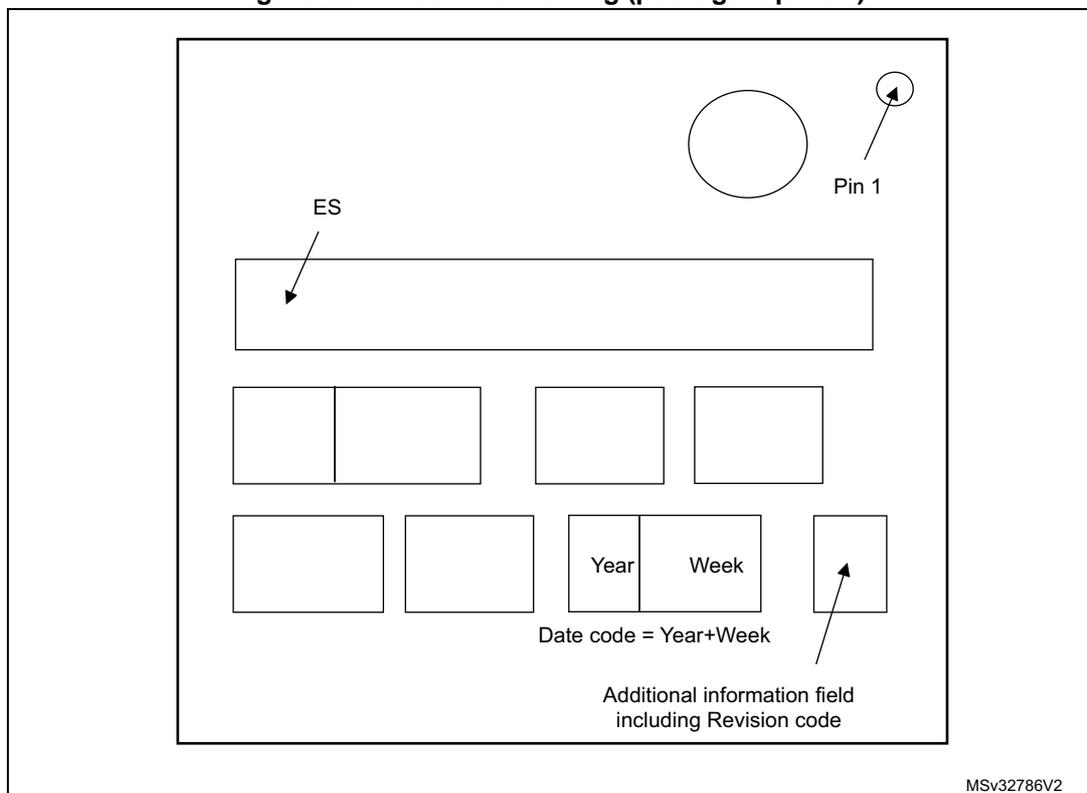
**Table 113. WLCSP143, 0.4 mm pitch wafer level chip scale package mechanical data**

| Symbol | millimeters |        |       | inches <sup>(1)</sup> |        |        |
|--------|-------------|--------|-------|-----------------------|--------|--------|
|        | Min         | Typ    | Max   | Min                   | Typ    | Max    |
| A      | 0.525       | 0.555  | 0.585 | 0.0207                | 0.0219 | 0.0230 |
| A1     | -           | 0.175  | -     | -                     | 0.0069 | -      |
| A2     | -           | 0.380  | -     | -                     | 0.0150 | -      |
| A3     | 0.220       | 0.025  | 0.280 | 0.0087                | 0.0010 | 0.0110 |
| b      | -           | 0.250° | -     | -                     | 0.250° | -      |
| D      | 4.486       | 4.521  | 4.556 | 0.1766                | 0.1780 | 0.1794 |
| E      | 5.512       | 5.547  | 5.582 | 0.2170                | 0.2184 | 0.2198 |
| e      | -           | 0.400  | -     | -                     | 0.0157 | -      |
| e1     | -           | 4.000  | -     | -                     | 0.1575 | -      |
| e2     | -           | 4.800  | -     | -                     | 0.1890 | -      |
| F      | -           | 0.261  | -     | -                     | 0.0103 | -      |
| G      | -           | 0.374  | -     | -                     | 0.0147 | -      |
| eee    | -           | 0.050  | -     | -                     | 0.0020 | -      |

1. Values in inches are converted from mm and rounded to 4 decimal digits.

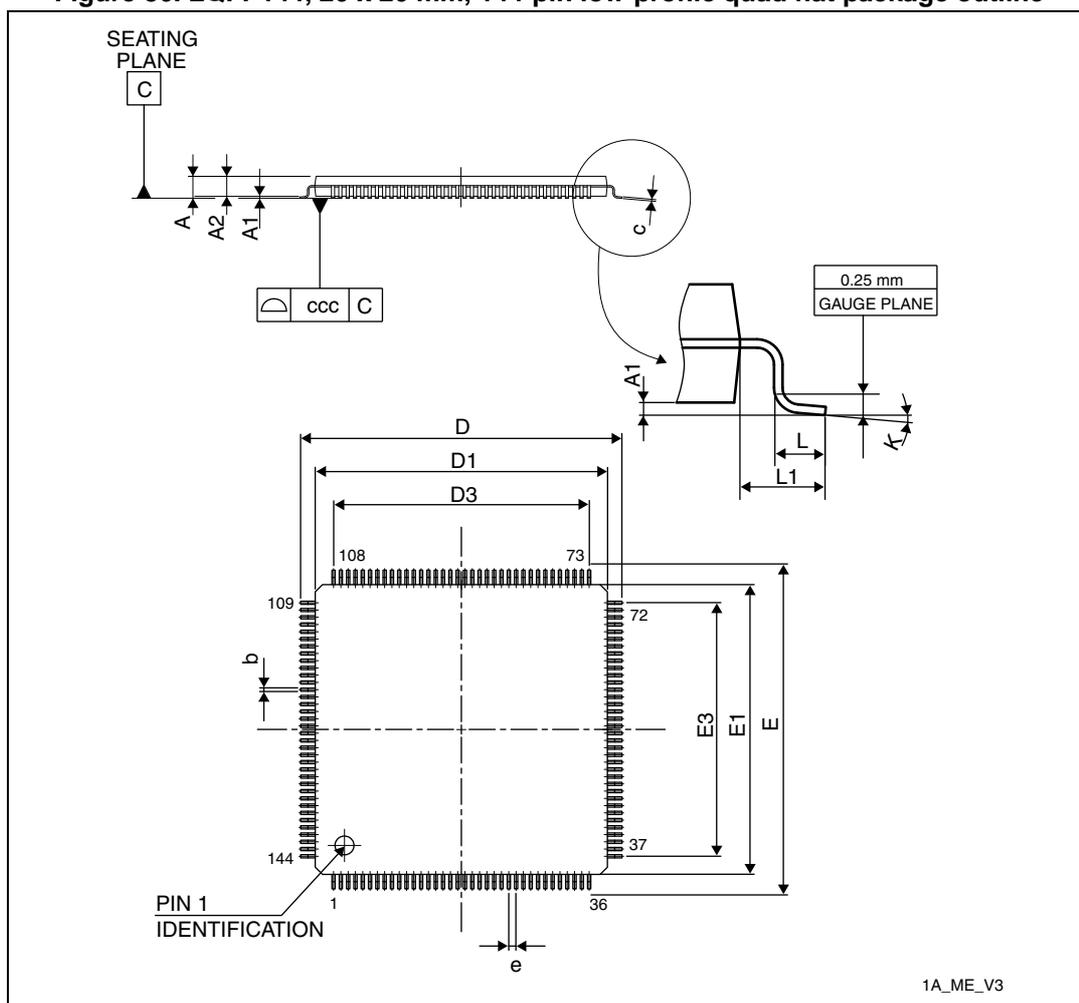
Device marking

Figure 85. WLCSP143 marking (package top view)



1. Samples marked "ES" are to be considered as "Engineering Samples": i.e. they are intended to be sent to customer for electrical compatibility evaluation and may be used to start customer qualification where specifically authorized by ST in writing. In no event ST will be liable for any customer usage in production. Only if ST has authorized in writing the customer qualification Engineering Samples can be used for reliability qualification trials

Figure 86. LQFP144, 20 x 20 mm, 144-pin low-profile quad flat package outline



1A\_ME\_V3

1. Drawing is not to scale.

Table 114. LQFP144, 20 x 20 mm, 144-pin low-profile quad flat package mechanical data

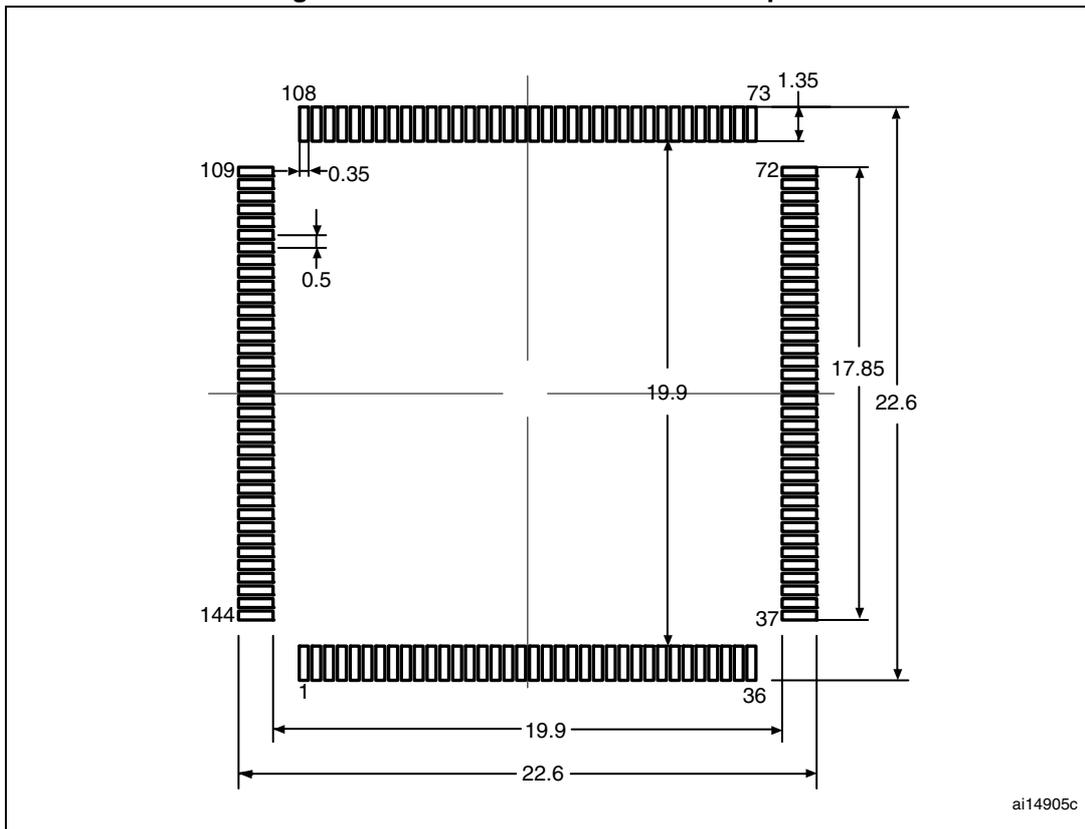
| Symbol | millimeters |        |        | inches <sup>(1)</sup> |        |        |
|--------|-------------|--------|--------|-----------------------|--------|--------|
|        | Min         | Typ    | Max    | Min                   | Typ    | Max    |
| A      | -           | -      | 1.600  | -                     | -      | 0.0630 |
| A1     | 0.050       | -      | 0.150  | 0.0020                | -      | 0.0059 |
| A2     | 1.350       | 1.400  | 1.450  | 0.0531                | 0.0551 | 0.0571 |
| b      | 0.170       | 0.220  | 0.270  | 0.0067                | 0.0087 | 0.0106 |
| c      | 0.090       | -      | 0.200  | 0.0035                | -      | 0.0079 |
| D      | 21.800      | 22.000 | 22.200 | 0.8583                | 0.8661 | 0.874  |
| D1     | 19.800      | 20.000 | 20.200 | 0.7795                | 0.7874 | 0.7953 |
| D3     | -           | 17.500 | -      | -                     | 0.689  | -      |

**Table 114. LQFP144, 20 x 20 mm, 144-pin low-profile quad flat package mechanical data (continued)**

| Symbol | millimeters |        |        | inches <sup>(1)</sup> |        |        |
|--------|-------------|--------|--------|-----------------------|--------|--------|
|        | Min         | Typ    | Max    | Min                   | Typ    | Max    |
| E      | 21.800      | 22.000 | 22.200 | 0.8583                | 0.8661 | 0.8740 |
| E1     | 19.800      | 20.000 | 20.200 | 0.7795                | 0.7874 | 0.7953 |
| E3     | -           | 17.500 | -      | -                     | 0.6890 | -      |
| e      | -           | 0.500  | -      | -                     | 0.0197 | -      |
| L      | 0.450       | 0.600  | 0.750  | 0.0177                | 0.0236 | 0.0295 |
| L1     | -           | 1.000  | -      | -                     | 0.0394 | -      |
| k      | 0°          | 3.5°   | 7°     | 0°                    | 3.5°   | 7°     |
| ccc    | -           | -      | 0.080  | -                     | -      | 0.0031 |

1. Values in inches are converted from mm and rounded to 4 decimal digits.

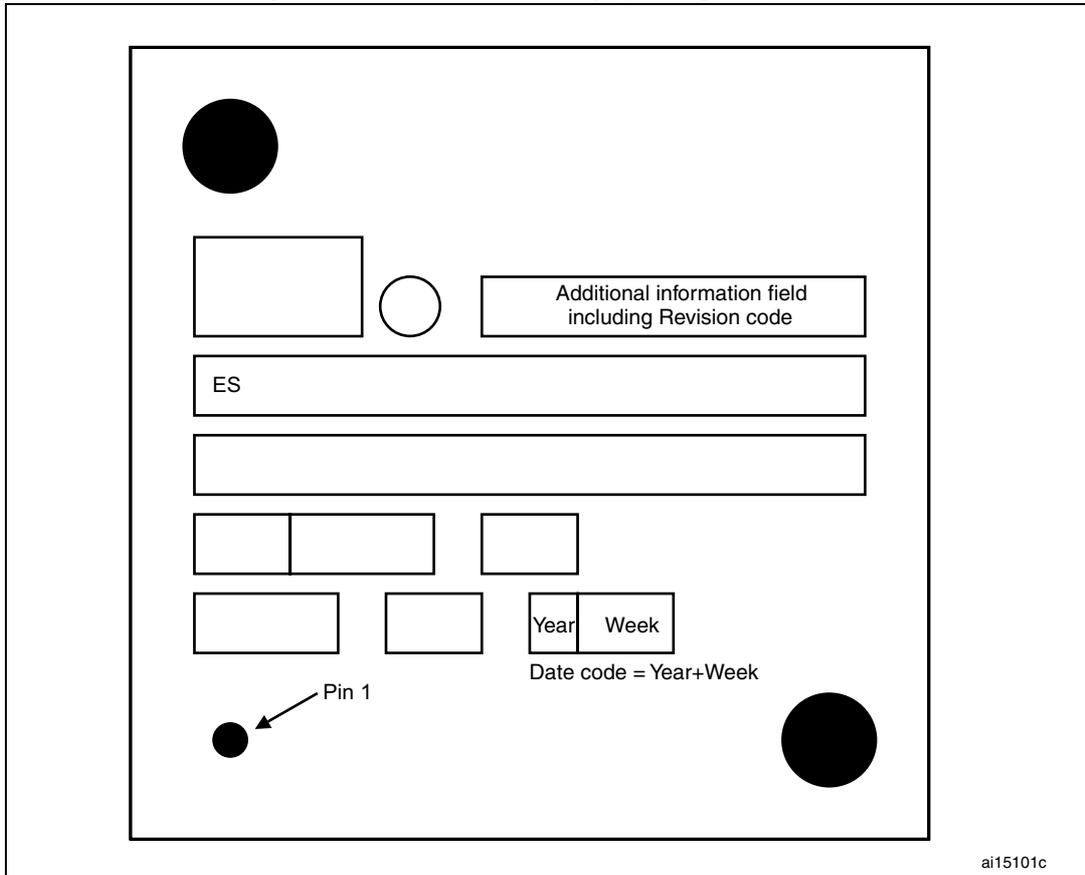
**Figure 87. LQFP144 recommended footprint**



1. Dimensions are expressed in millimeters.

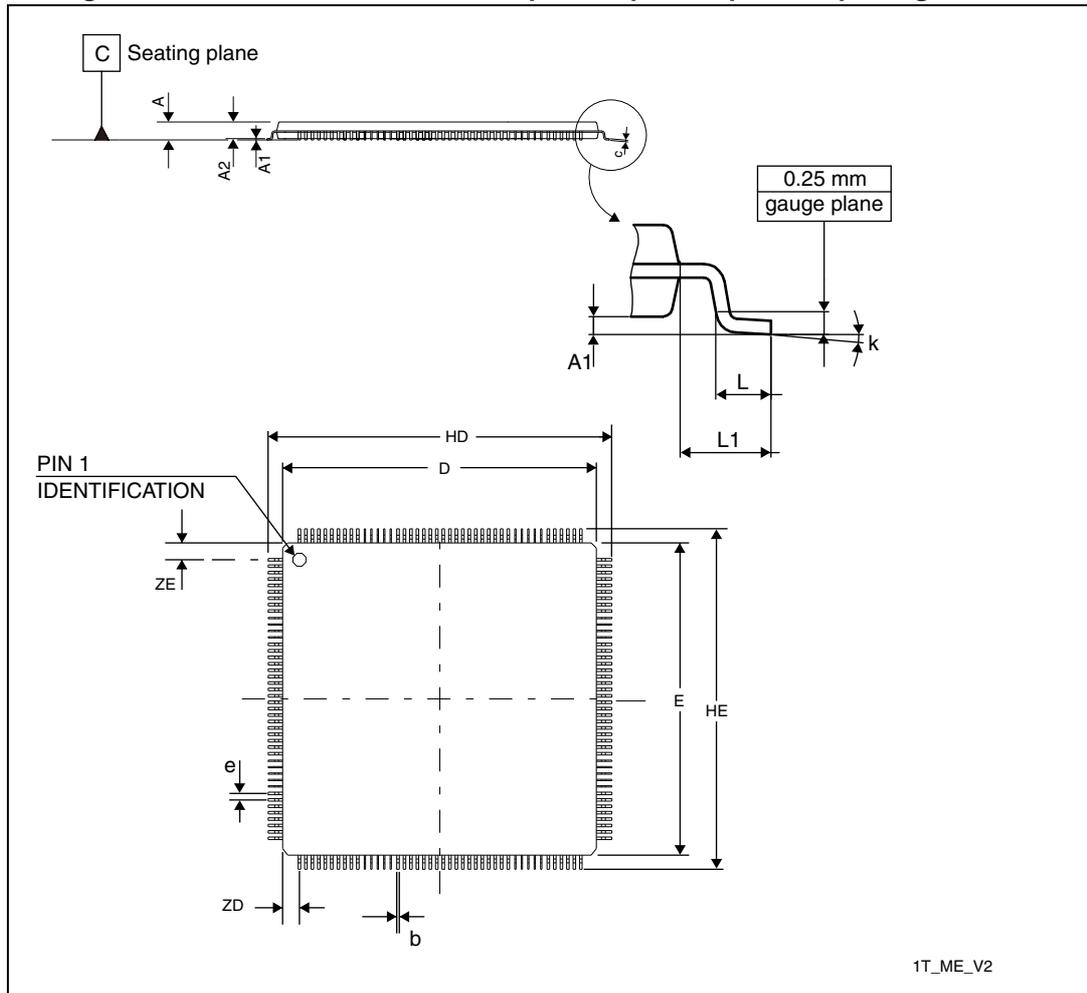
Device marking

Figure 88. LQFP144 marking (package top view)



1. Samples marked "ES" are to be considered as "Engineering Samples": i.e. they are intended to be sent to customer for electrical compatibility evaluation and may be used to start customer qualification where specifically authorized by ST in writing. In no event ST will be liable for any customer usage in production. Only if ST has authorized in writing the customer qualification Engineering Samples can be used for reliability qualification trials.

Figure 89. LQFP176 24 x 24 mm, 176-pin low-profile quad flat package outline



1. Drawing is not to scale.

Table 115. LQFP176, 24 x 24 mm, 176-pin low-profile quad flat package mechanical data

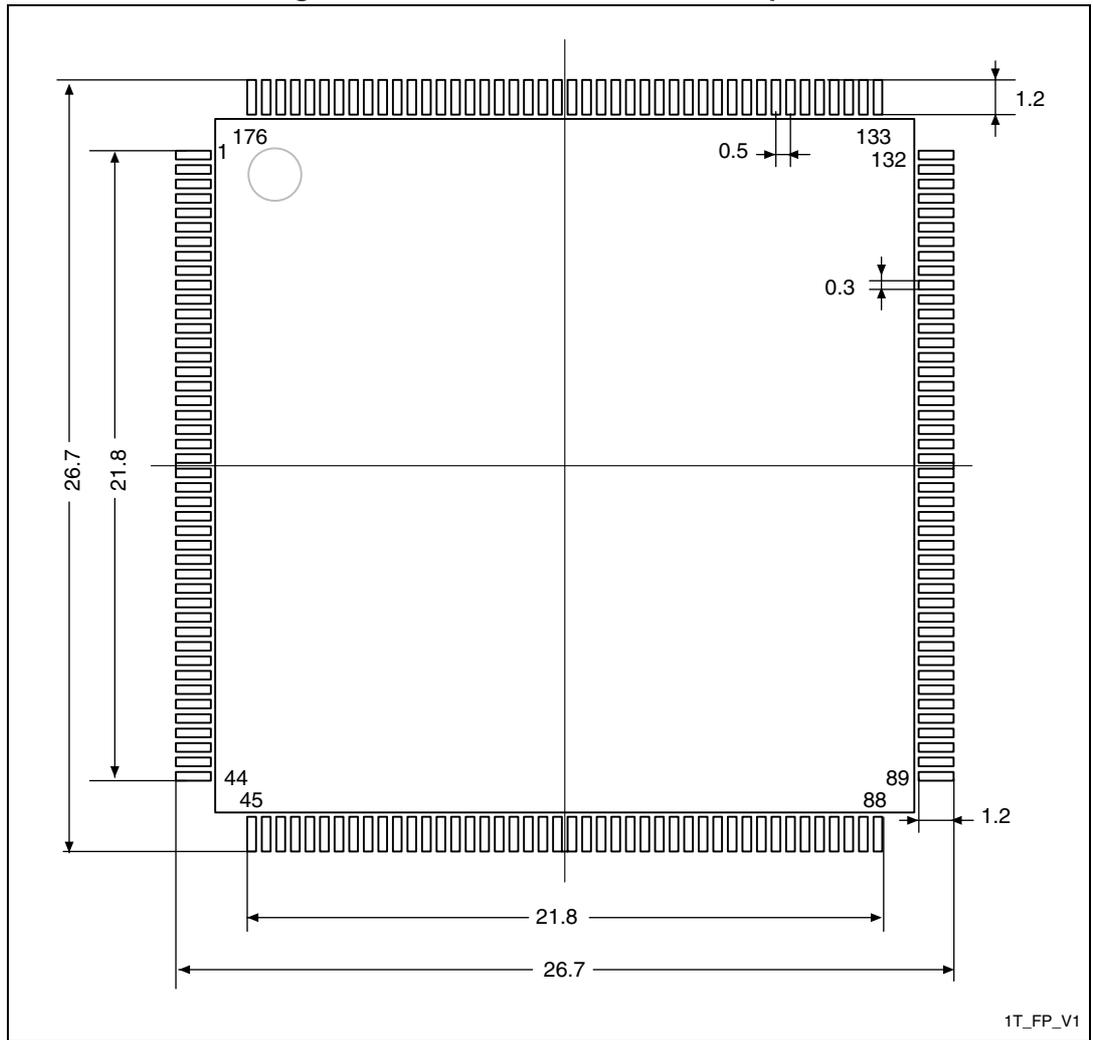
| Symbol | millimeters |       |        | inches <sup>(1)</sup> |        |        |
|--------|-------------|-------|--------|-----------------------|--------|--------|
|        | Min         | Typ   | Max    | Min                   | Typ    | Max    |
| A      | -           | -     | 1.600  | -                     | -      | 0.0630 |
| A1     | 0.050       | -     | 0.150  | 0.0020                | -      | 0.0059 |
| A2     | 1.350       | -     | 1.450  | 0.0531                | -      | 0.0060 |
| b      | 0.170       | -     | 0.270  | 0.0067                | -      | 0.0106 |
| C      | 0.090       | -     | 0.200  | 0.0035                | -      | 0.0079 |
| D      | 23.900      | -     | 24.100 | 0.9409                | -      | 0.9488 |
| E      | 23.900      | -     | 24.100 | 0.9409                | -      | 0.9488 |
| e      | -           | 0.500 | -      | -                     | 0.0197 | -      |
| HD     | 25.900      | -     | 26.100 | 1.0200                | -      | 1.0276 |

**Table 115. LQFP176, 24 x 24 mm, 176-pin low-profile quad flat package mechanical data (continued)**

| Symbol | millimeters |       |        | inches <sup>(1)</sup> |        |        |
|--------|-------------|-------|--------|-----------------------|--------|--------|
|        | Min         | Typ   | Max    | Min                   | Typ    | Max    |
| HE     | 25.900      | -     | 26.100 | 1.0200                | -      | 1.0276 |
| L      | 0.450       | -     | 0.750  | 0.0177                | -      | 0.0295 |
| L1     | -           | 1.000 | -      | -                     | 0.0394 | -      |
| ZD     | -           | 1.250 | -      | -                     | 0.0492 | -      |
| ZE     | -           | 1.250 | -      | -                     | 0.0492 | -      |
| ccc    | -           | -     | 0.080  | -                     | -      | 0.0031 |
| k      | 0 °         | -     | 7 °    | 0 °                   | -      | 7 °    |

1. Values in inches are converted from mm and rounded to 4 decimal digits.

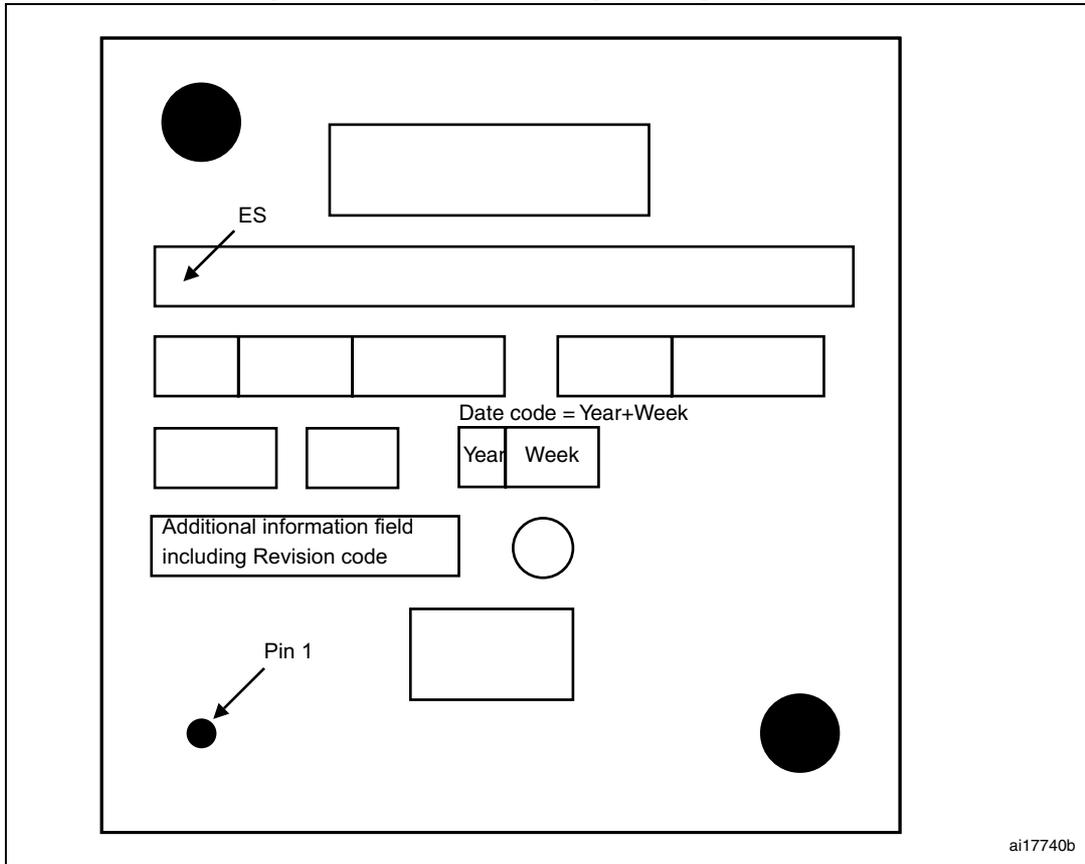
Figure 90. LQFP176 recommended footprint



1. Dimensions are expressed in millimeters.

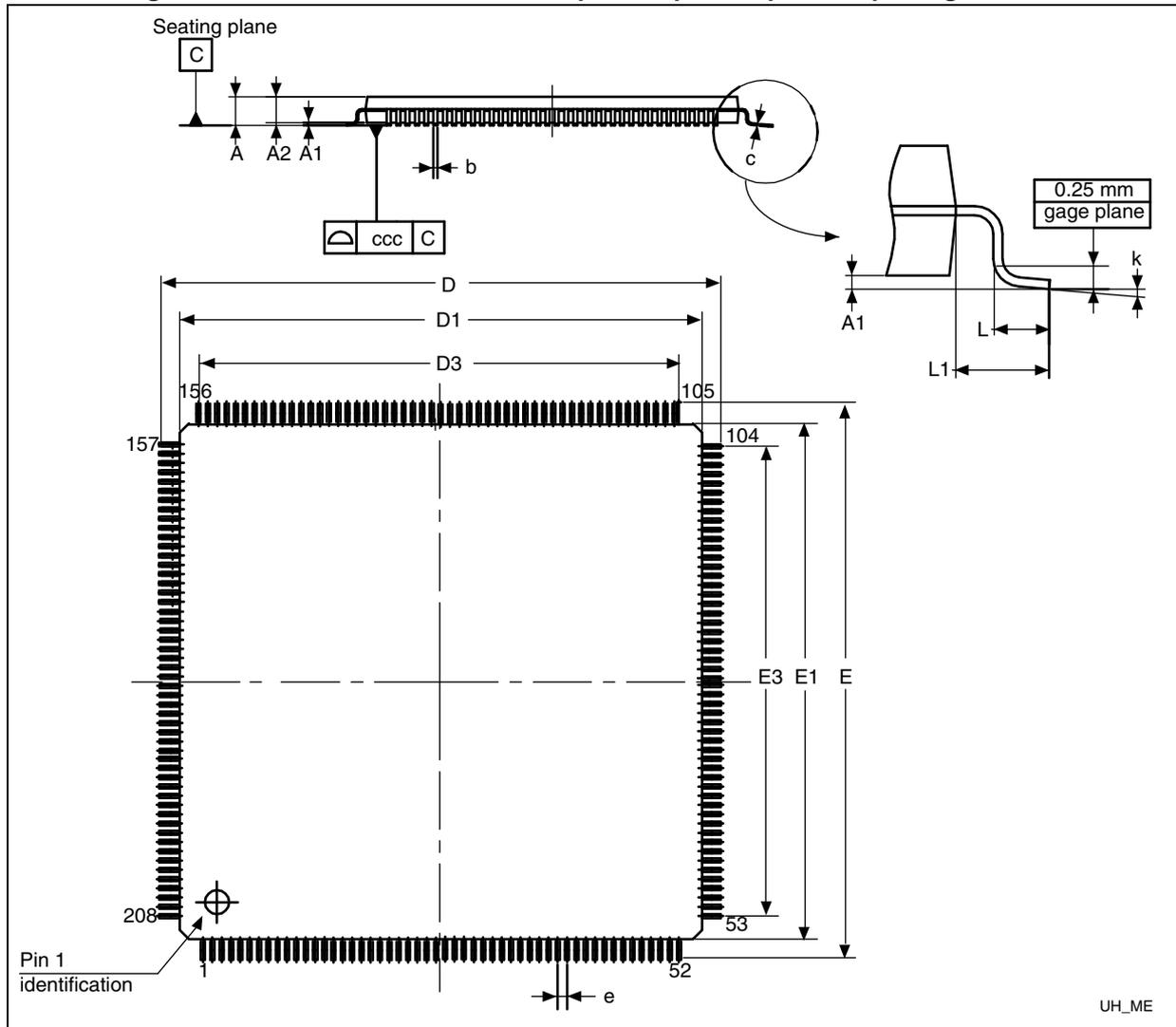
Device marking

Figure 91. LQFP176 marking (package top view)



1. Samples marked "ES" are to be considered as "Engineering Samples": i.e. they are intended to be sent to customer for electrical compatibility evaluation and may be used to start customer qualification where specifically authorized by ST in writing. In no event ST will be liable for any customer usage in production. Only if ST has authorized in writing the customer qualification Engineering Samples can be used for reliability qualification trials.

Figure 92. LQFP208, 28 x 28 mm, 208-pin low-profile quad flat package outline



1. Drawing is not to scale.

Table 116. LQFP208, 28 x 28 mm, 208-pin low-profile quad flat package mechanical data

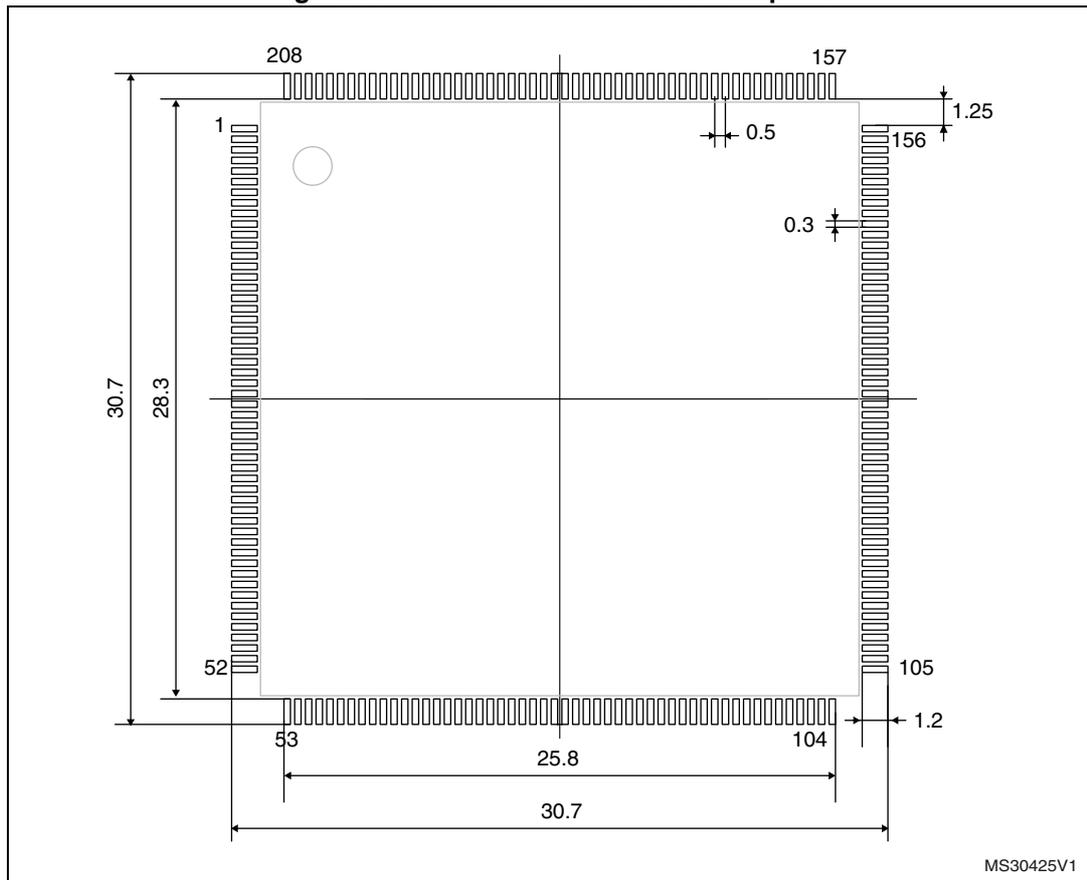
| Symbol | millimeters |        |        | inches <sup>(1)</sup> |        |        |
|--------|-------------|--------|--------|-----------------------|--------|--------|
|        | Min         | Typ    | Max    | Min                   | Typ    | Max    |
| A      | -           | -      | 1.600  | --                    | -      | 0.0630 |
| A1     | 0.050       | -      | 0.150  | 0.0020                | -      | 0.0059 |
| A2     | 1.350       | 1.400  | 1.450  | 0.0531                | 0.0551 | 0.0571 |
| b      | 0.170       | 0.220  | 0.270  | 0.0067                | 0.0087 | 0.0106 |
| c      | 0.090       | -      | 0.200  | 0.0035                | -      | 0.0079 |
| D      | 29.800      | 30.000 | 30.200 | 1.1732                | 1.1811 | 1.1890 |
| D1     | 27.800      | 28.000 | 28.200 | 1.0945                | 1.1024 | 1.1102 |

**Table 116. LQFP208, 28 x 28 mm, 208-pin low-profile quad flat package mechanical data (continued)**

| Symbol | millimeters |        |        | inches <sup>(1)</sup> |        |        |
|--------|-------------|--------|--------|-----------------------|--------|--------|
|        | Min         | Typ    | Max    | Min                   | Typ    | Max    |
| D3     | -           | 25.500 | -      | -                     | 1.0039 | -      |
| E      | 29.800      | 30.000 | 30.200 | 1.1732                | 1.1811 | 1.1890 |
| E1     | 27.800      | 28.000 | 28.200 | 1.0945                | 1.1024 | 1.1102 |
| E3     | -           | 25.500 | -      | -                     | 1.0039 | -      |
| e      | -           | 0.500  | -      | -                     | 0.0197 | -      |
| L      | 0.450       | 0.600  | 0.750  | 0.0177                | 0.0236 | 0.0295 |
| L1     | -           | 1.000  | -      | -                     | 0.0394 | -      |
| k      | 0°          | 3.5°   | 7.0°   | 0°                    | 3.5°   | 7.0°   |
| ccc    | -           | -      | 0.080  | -                     | -      | 0.0031 |

1. Values in inches are converted from mm and rounded to 4 decimal digits.

**Figure 93. LQFP208 recommended footprint**

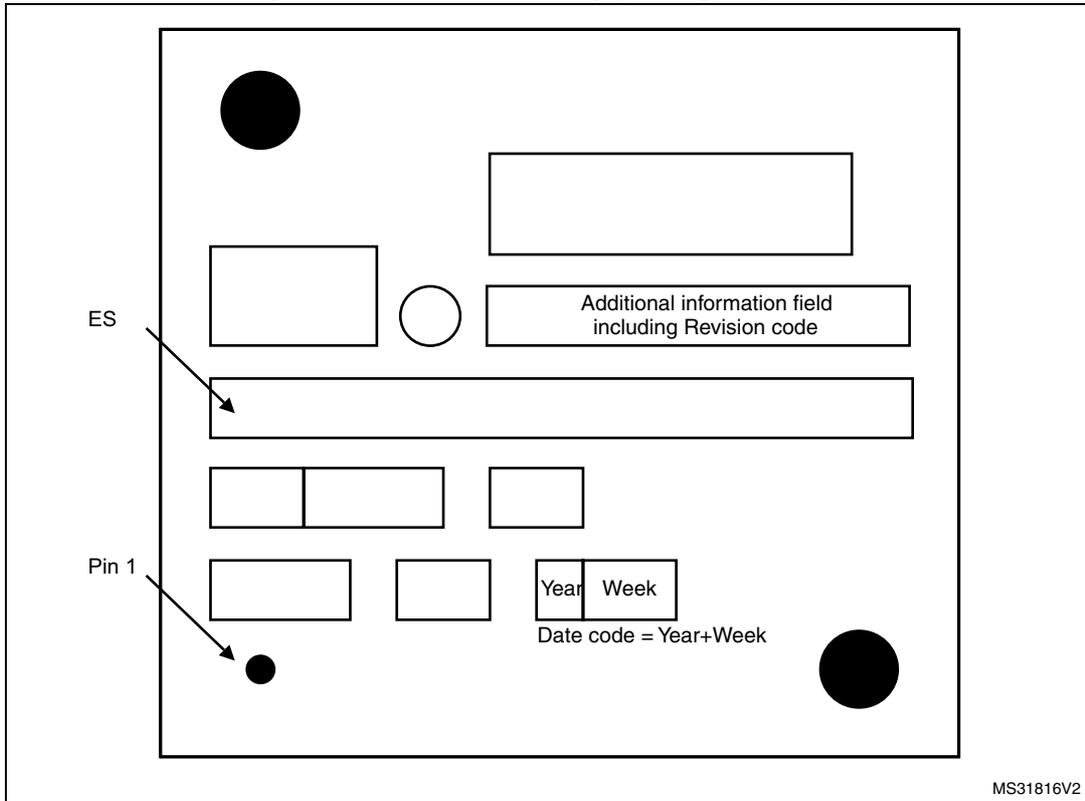


MS30425V1

1. Dimensions are expressed in millimeters.

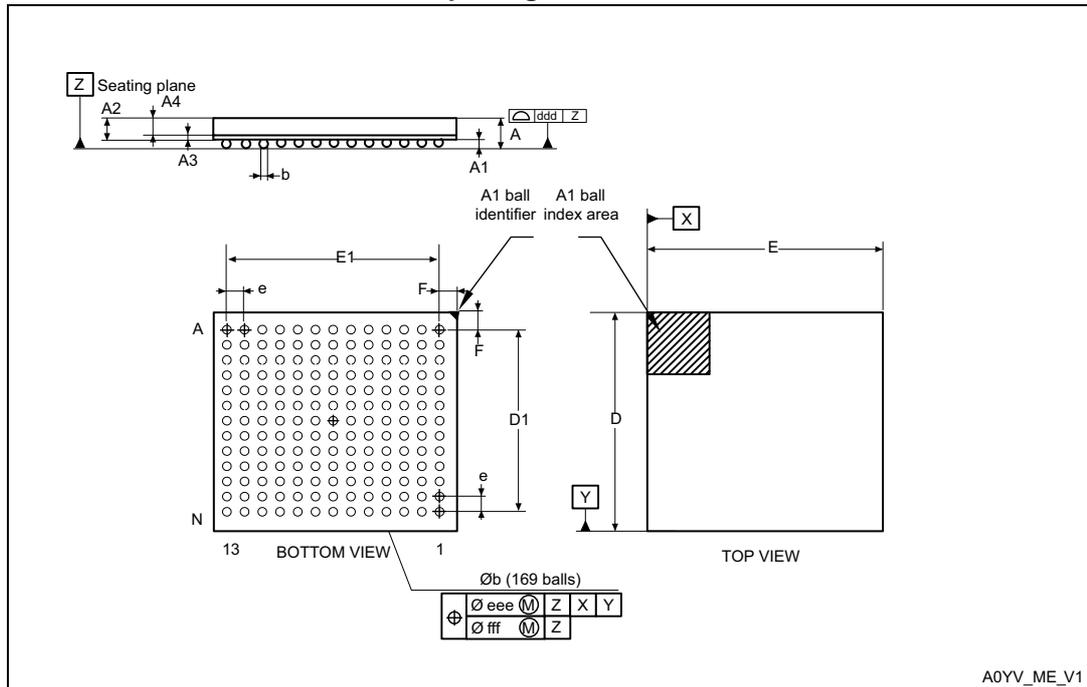
Device marking

Figure 94. LQFP208 marking (package top view)



1. Samples marked "ES" are to be considered as "Engineering Samples": i.e. they are intended to be sent to customer for electrical compatibility evaluation and may be used to start customer qualification where specifically authorized by ST in writing. In no event ST will be liable for any customer usage in production. Only if ST has authorized in writing the customer qualification Engineering Samples can be used for reliability qualification trials.

Figure 95. UFBGA169 - ultra thin fine pitch ball grid array 7 x 7 mm, 0.6 mm, package outline



A0YV\_ME\_V1

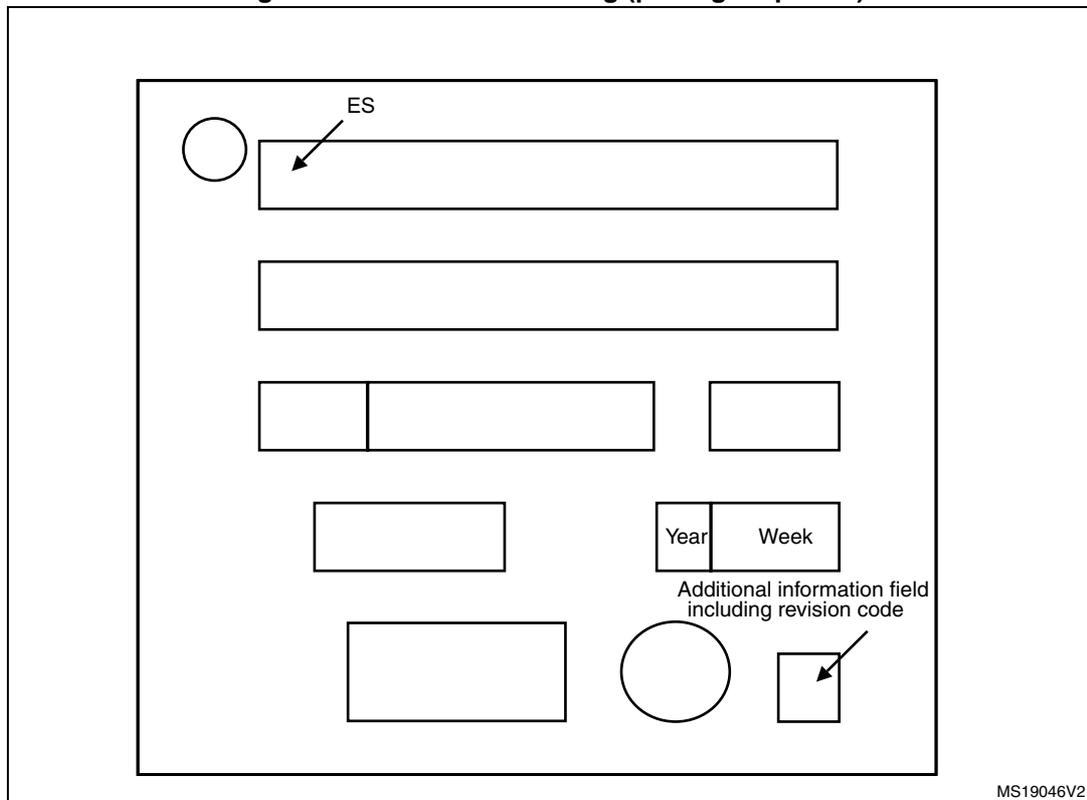
1. Drawing is not to scale.

Table 117. UFBGA169 - ultra thin fine pitch ball grid array 7 x 7 x 0.6 mm mechanical data

| Symbol | millimeters |       |       | inches |        |        |
|--------|-------------|-------|-------|--------|--------|--------|
|        | Min         | Typ   | Max   | Min    | Typ    | Max    |
| A      | 0.460       | 0.530 | 0.600 | 0.0181 | 0.0209 | 0.0236 |
| A1     | 0.050       | 0.080 | 0.110 | 0.0020 | 0.0031 | 0.0043 |
| A2     | 0.400       | 0.450 | 0.500 | 0.0157 | 0.0177 | 0.0197 |
| A3     | 0.080       | 0.130 | 0.180 | 0.0031 | 0.0051 | 0.0071 |
| A4     | 0.270       | 0.320 | 0.370 | 0.0106 | 0.0126 | 0.0146 |
| b      | 0.170       | 0.280 | 0.330 | 0.0067 | 0.0110 | 0.0130 |
| D      | 6.900       | 7.000 | 7.100 | 0.2717 | 0.2756 | 0.2795 |
| D1     | 5.950       | 6.000 | 6.050 | 0.2343 | 0.2362 | 0.2382 |
| E      | 6.900       | 7.000 | 7.100 | 0.2717 | 0.2756 | 0.2795 |
| E1     | 5.950       | 6.000 | 6.050 | 0.2343 | 0.2362 | 0.2382 |
| e      | -           | 0.500 | -     | -      | 0.0197 | -      |
| F      | 0.450       | 0.500 | 0.550 | 0.0177 | 0.0197 | 0.0217 |
| ddd    | -           | -     | 0.080 | -      | -      | 0.0031 |
| eee    | -           | -     | 0.150 | -      | -      | 0.0059 |
| fff    | -           | -     | 0.050 | -      | -      | 0.0020 |

Device marking

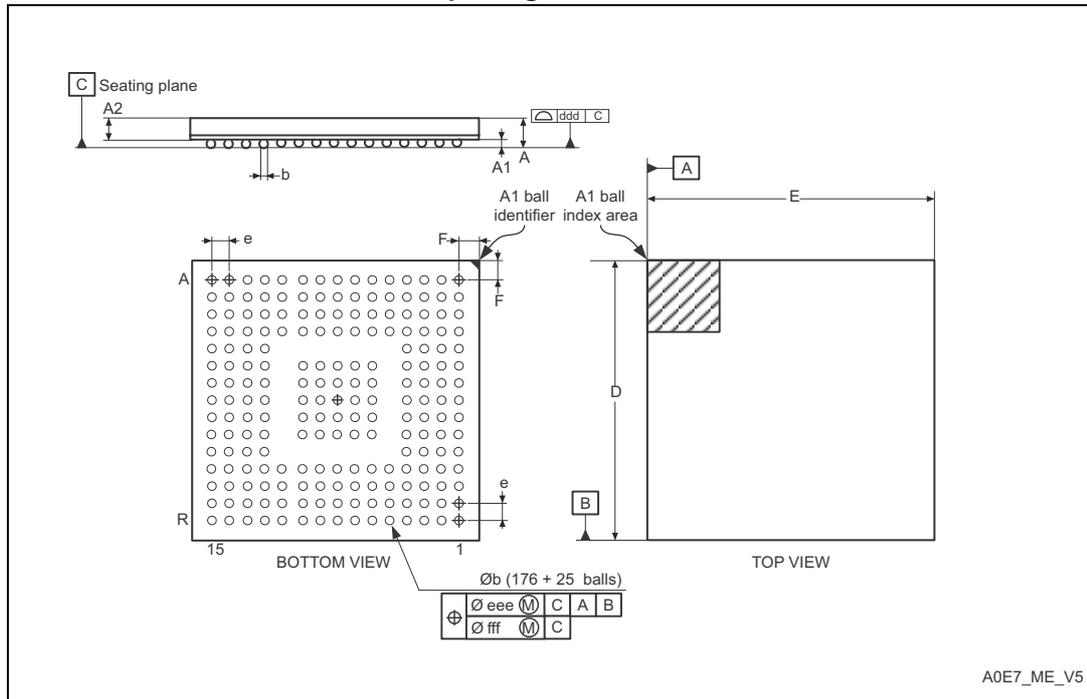
Figure 96. UFBGA169 marking (package top view)



MS19046V2

1. Samples marked "ES" are to be considered as "Engineering Samples": i.e. they are intended to be sent to customer for electrical compatibility evaluation and may be used to start customer qualification where specifically authorized by ST in writing. In no event ST will be liable for any customer usage in production. Only if ST has authorized in writing the customer qualification Engineering Samples can be used for reliability qualification trials.

Figure 97. UFBGA176+25 - ultra thin fine pitch ball grid array 10 × 10 × 0.6 mm, package outline



1. Drawing is not to scale.

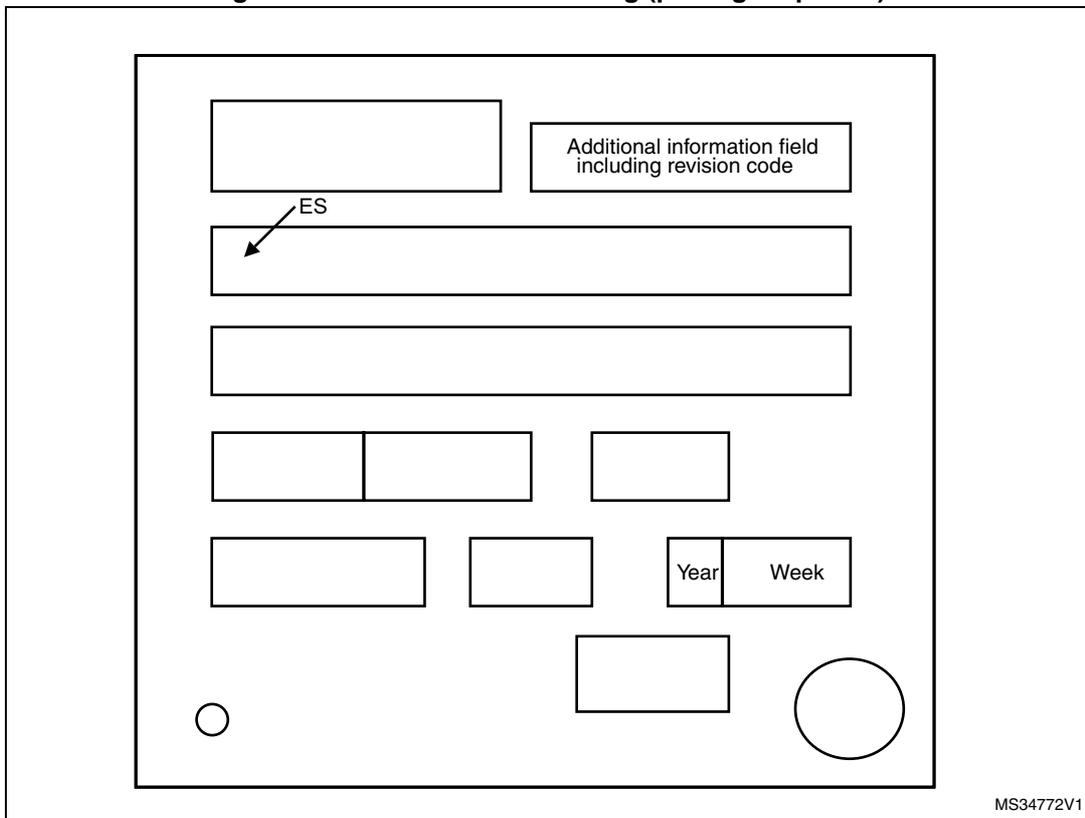
Table 118. UFBGA176+25 - ultra thin fine pitch ball grid array 10 × 10 × 0.6 mm mechanical data

| Symbol | millimeters |        |        | inches <sup>(1)</sup> |        |        |
|--------|-------------|--------|--------|-----------------------|--------|--------|
|        | Min         | Typ    | Max    | Min                   | Typ    | Max    |
| A      | 0.460       | 0.530  | 0.600  | 0.0181                | 0.0209 | 0.0236 |
| A1     | 0.050       | 0.080  | 0.110  | 0.002                 | 0.0031 | 0.0043 |
| A2     | 0.400       | 0.450  | 0.500  | 0.0157                | 0.0177 | 0.0197 |
| b      | 0.230       | 0.280  | 0.330  | 0.0091                | 0.0110 | 0.0130 |
| D      | 9.950       | 10.000 | 10.050 | 0.3917                | 0.3937 | 0.3957 |
| E      | 9.950       | 10.000 | 10.050 | 0.3917                | 0.3937 | 0.3957 |
| e      | -           | 0.650  | -      | -                     | 0.0256 | -      |
| F      | 0.400       | 0.450  | 0.500  | 0.0157                | 0.0177 | 0.0197 |
| ddd    | -           | -      | 0.080  | -                     | -      | 0.0031 |
| eee    | -           | -      | 0.150  | -                     | -      | 0.0059 |
| fff    | -           | -      | 0.080  | -                     | -      | 0.0031 |

1. Values in inches are converted from mm and rounded to 4 decimal digits.

Device marking

Figure 98. UFBGA176+25 marking (package top view)



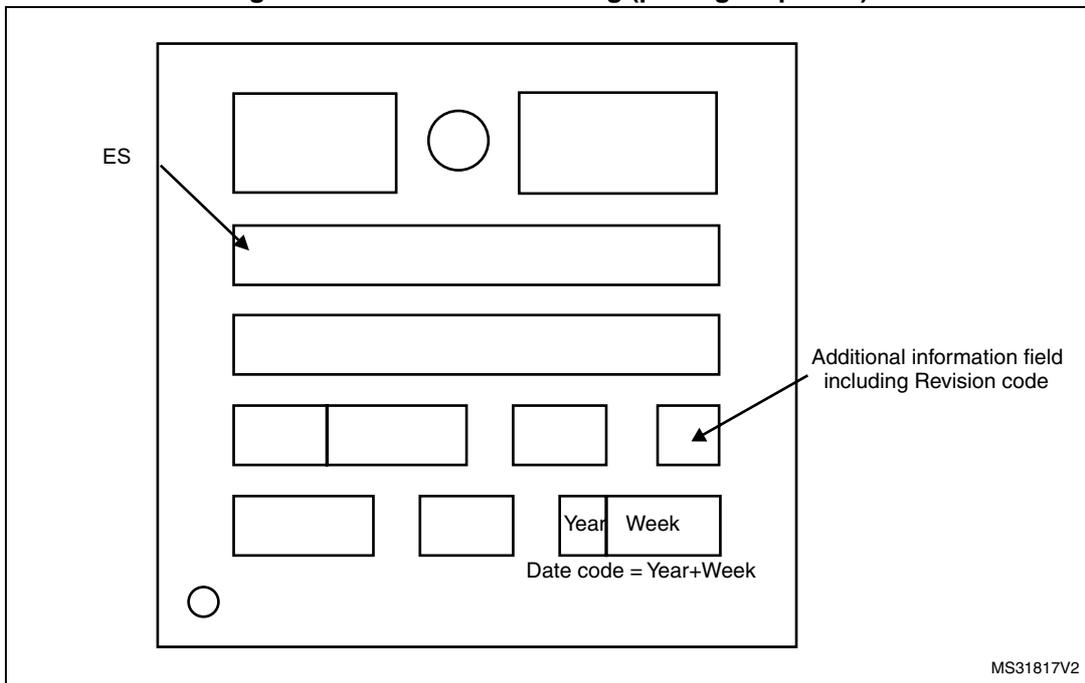
MS34772V1

1. Samples marked "ES" are to be considered as "Engineering Samples": i.e. they are intended to be sent to customer for electrical compatibility evaluation and may be used to start customer qualification where specifically authorized by ST in writing. In no event ST will be liable for any customer usage in production. Only if ST has authorized in writing the customer qualification Engineering Samples can be used for reliability qualification trials.



Device marking

Figure 100. TFBGA176 marking (package top view)



1. Samples marked "ES" are to be considered as "Engineering Samples": i.e. they are intended to be sent to customer for electrical compatibility evaluation and may be used to start customer qualification where specifically authorized by ST in writing. In no event ST will be liable for any customer usage in production. Only if ST has authorized in writing the customer qualification Engineering Samples can be used for reliability qualification trials.

## 7.2 Thermal characteristics

The maximum chip-junction temperature,  $T_J \text{ max}$ , in degrees Celsius, may be calculated using the following equation:

$$T_J \text{ max} = T_A \text{ max} + (P_D \text{ max} \times \Theta_{JA})$$

Where:

- $T_A \text{ max}$  is the maximum ambient temperature in °C,
- $\Theta_{JA}$  is the package junction-to-ambient thermal resistance, in °C/W,
- $P_D \text{ max}$  is the sum of  $P_{INT} \text{ max}$  and  $P_{I/O} \text{ max}$  ( $P_D \text{ max} = P_{INT} \text{ max} + P_{I/O} \text{ max}$ ),
- $P_{INT} \text{ max}$  is the product of  $I_{DD}$  and  $V_{DD}$ , expressed in Watts. This is the maximum chip internal power.

$P_{I/O} \text{ max}$  represents the maximum power dissipation on output pins where:

$$P_{I/O} \text{ max} = \Sigma (V_{OL} \times I_{OL}) + \Sigma ((V_{DD} - V_{OH}) \times I_{OH}),$$

taking into account the actual  $V_{OL} / I_{OL}$  and  $V_{OH} / I_{OH}$  of the I/Os at low and high level in the application.

**Table 120. Package thermal characteristics**

| Symbol        | Parameter   | Value | Unit |
|---------------|---|-------|------|
| $\Theta_{JA}$ | Thermal resistance junction-ambient<br>LQFP100 - 14 × 14 mm / 0.5 mm pitch  | 43    | °C/W |
|               | Thermal resistance junction-ambient<br>WLCSP143                             | 31.2  |      |
|               | Thermal resistance junction-ambient<br>LQFP144 - 20 × 20 mm / 0.5 mm pitch  | 40    |      |
|               | Thermal resistance junction-ambient<br>LQFP176 - 24 × 24 mm / 0.5 mm pitch  | 38    |      |
|               | Thermal resistance junction-ambient<br>LQFP208 - 28 × 28 mm / 0.5 mm pitch  | 19    |      |
|               | Thermal resistance junction-ambient<br>UFBGA169 - 7 × 7mm / 0.5 mm pitch    | 52    |      |
|               | Thermal resistance junction-ambient<br>UFBGA176 - 10 × 10 mm / 0.5 mm pitch | 39    |      |
|               | Thermal resistance junction-ambient<br>TFBGA216 - 13 × 13 mm / 0.8 mm pitch | 29    |      |

### Reference document

JESD51-2 Integrated Circuits Thermal Test Method Environment Conditions - Natural Convection (Still Air). Available from [www.jedec.org](http://www.jedec.org).

# 8 Part numbering

**Table 121. Ordering information scheme**

|  |       |   |     |   |   |   |   |     |
|--|-------|---|-----|---|---|---|---|-----|
| Example:   | STM32 | F | 429 | V | I | T | 6 | xxx |
| <b>Device family</b>   |       |   |     |   |   |   |   |     |
| STM32 = ARM-based 32-bit microcontroller                             |       |   |     |   |   |   |   |     |
| <b>Product type</b>  |       |   |     |   |   |   |   |     |
| F = general-purpose  |       |   |     |   |   |   |   |     |
| <b>Device subfamily</b>  |       |   |     |   |   |   |   |     |
| 427= STM32F427xx, USB OTG FS/HS, camera interface, Ethernet          |       |   |     |   |   |   |   |     |
| 429= STM32F429xx, USB OTG FS/HS, camera interface, Ethernet, LCD-TFT |       |   |     |   |   |   |   |     |
| <b>Pin count</b>   |       |   |     |   |   |   |   |     |
| V = 100 pins   |       |   |     |   |   |   |   |     |
| Z = 144 pins   |       |   |     |   |   |   |   |     |
| A = 169 pins   |       |   |     |   |   |   |   |     |
| I = 176 pins   |       |   |     |   |   |   |   |     |
| B = 208 pins   |       |   |     |   |   |   |   |     |
| N = 216 pins   |       |   |     |   |   |   |   |     |
| <b>Flash memory size</b>   |       |   |     |   |   |   |   |     |
| E = 512 Kbytes of Flash memory                                       |       |   |     |   |   |   |   |     |
| G = 1024 Kbytes of Flash memory                                      |       |   |     |   |   |   |   |     |
| I = 2048 Kbytes of Flash memory                                      |       |   |     |   |   |   |   |     |
| <b>Package</b>   |       |   |     |   |   |   |   |     |
| T = LQFP   |       |   |     |   |   |   |   |     |
| H = BGA  |       |   |     |   |   |   |   |     |
| Y = WLCSP  |       |   |     |   |   |   |   |     |
| <b>Temperature range</b>   |       |   |     |   |   |   |   |     |
| 6 = Industrial temperature range, -40 to 85 °C.                      |       |   |     |   |   |   |   |     |
| 7 = Industrial temperature range, -40 to 105 °C.                     |       |   |     |   |   |   |   |     |
| <b>Options</b>   |       |   |     |   |   |   |   |     |
| xxx = programmed parts   |       |   |     |   |   |   |   |     |
| TR = tape and reel   |       |   |     |   |   |   |   |     |

For a list of available options (speed, package, etc.) or for further information on any aspect of this device, please contact your nearest ST sales office.

## Appendix A Recommendations when using internal reset OFF

When the internal reset is OFF, the following integrated features are no longer supported:

- The integrated power-on reset (POR) / power-down reset (PDR) circuitry is disabled.
- The brownout reset (BOR) circuitry must be disabled.
- The embedded programmable voltage detector (PVD) is disabled.
- V<sub>BAT</sub> functionality is no more available and VBAT pin should be connected to V<sub>DD</sub>.
- The over-drive mode is not supported.

### A.1 Operating conditions

Table 122. Limitations depending on the operating power supply range

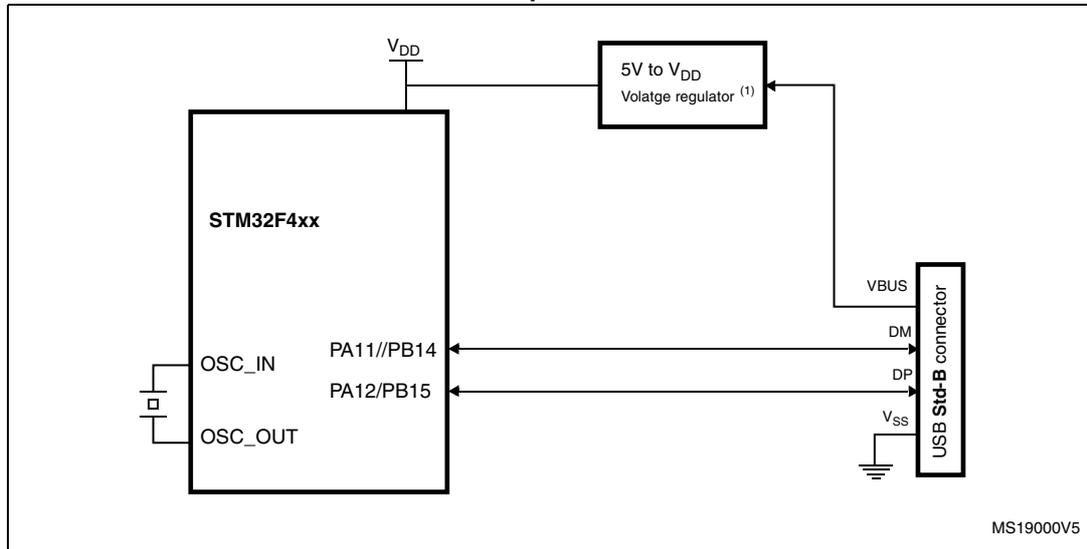
| Operating power supply range                  | ADC operation                  | Maximum Flash memory access frequency with no wait states (f <sub>Flashmax</sub> ) | Maximum Flash memory access frequency with wait states <sup>(1)(2)</sup> | I/O operation         | Possible Flash memory operations        |
|---|--------------------------------|--|--|-----------------------|---|
| V <sub>DD</sub> = 1.7 to 2.1 V <sup>(3)</sup> | Conversion time up to 1.2 Msps | 20 MHz <sup>(4)</sup>  | 168 MHz with 8 wait states and over-drive OFF                            | – No I/O compensation | 8-bit erase and program operations only |

1. Applicable only when the code is executed from Flash memory. When the code is executed from RAM, no wait state is required.
2. Thanks to the ART accelerator and the 128-bit Flash memory, the number of wait states given here does not impact the execution speed from Flash memory since the ART accelerator allows to achieve a performance equivalent to 0 wait state program execution.
3. V<sub>DD</sub>/V<sub>DDA</sub> minimum value of 1.7 V, with the use of an external power supply supervisor (refer to [Section 3.17.1: Internal reset ON](#)).
4. Prefetch is not available. Refer to AN3430 application note for details on how to adjust performance and power.

## Appendix B Application block diagrams

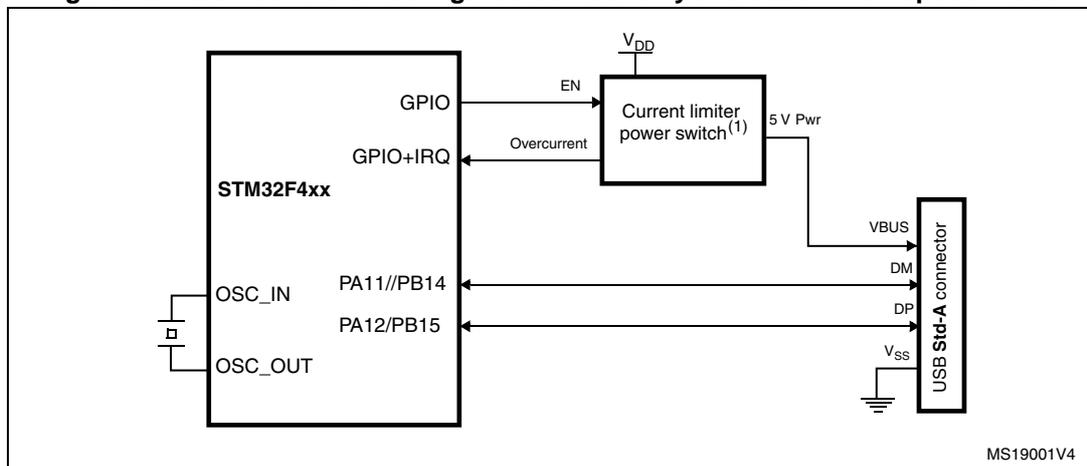
### B.1 USB OTG full speed (FS) interface solutions

Figure 101. USB controller configured as peripheral-only and used in Full speed mode



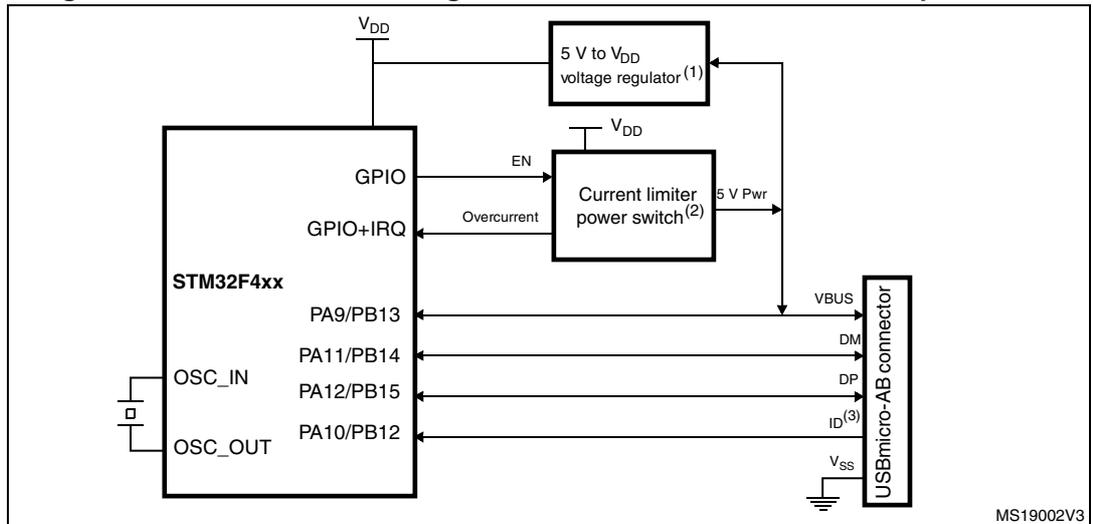
1. External voltage regulator only needed when building a  $V_{BUS}$  powered device.
2. The same application can be developed using the OTG HS in FS mode to achieve enhanced performance thanks to the large Rx/Tx FIFO and to a dedicated DMA controller.

Figure 102. USB controller configured as host-only and used in full speed mode



1. The current limiter is required only if the application has to support a  $V_{BUS}$  powered device. A basic power switch can be used if 5 V are available on the application board.
2. The same application can be developed using the OTG HS in FS mode to achieve enhanced performance thanks to the large Rx/Tx FIFO and to a dedicated DMA controller.

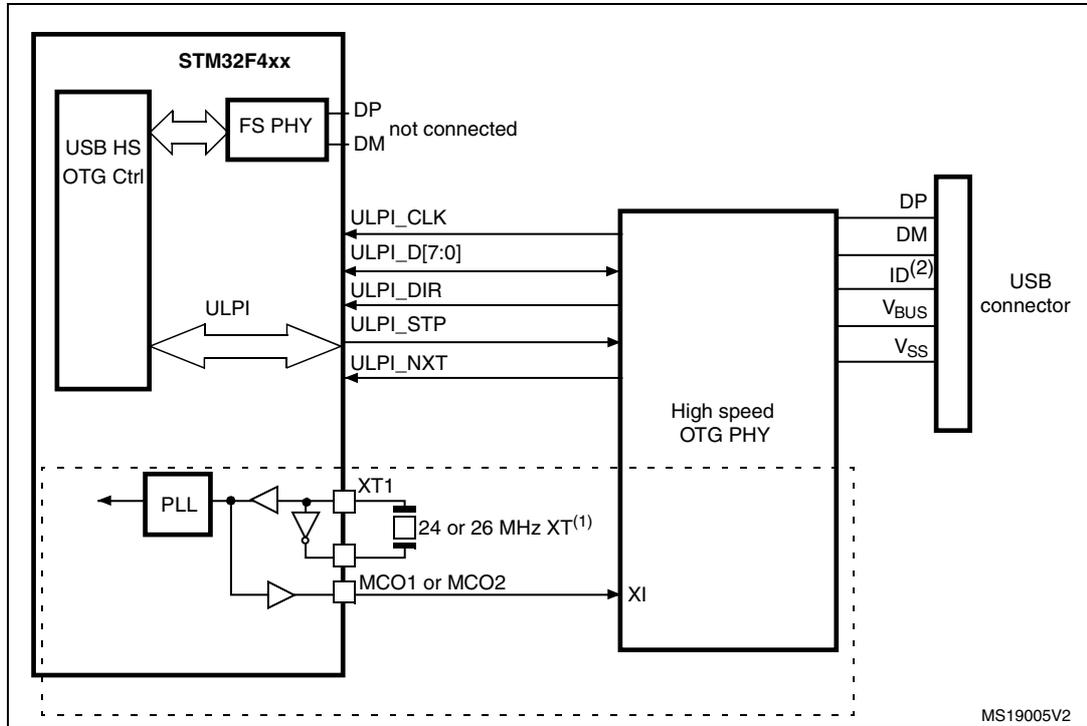
Figure 103. USB controller configured in dual mode and used in full speed mode



1. External voltage regulator only needed when building a V<sub>BUS</sub> powered device.
2. The current limiter is required only if the application has to support a V<sub>BUS</sub> powered device. A basic power switch can be used if 5 V are available on the application board.
3. The ID pin is required in dual role only.
4. The same application can be developed using the OTG HS in FS mode to achieve enhanced performance thanks to the large Rx/Tx FIFO and to a dedicated DMA controller.

## B.2 USB OTG high speed (HS) interface solutions

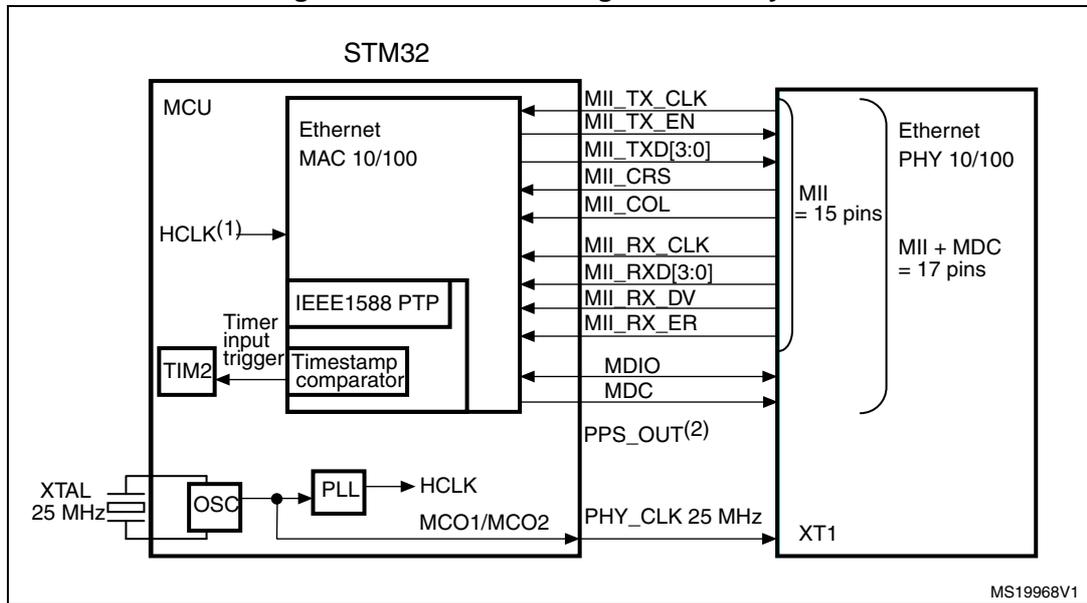
Figure 104. USB controller configured as peripheral, host, or dual-mode and used in high speed mode



1. It is possible to use MCO1 or MCO2 to save a crystal. It is however not mandatory to clock the STM32F42x with a 24 or 26 MHz crystal when using USB HS. The above figure only shows an example of a possible connection.
2. The ID pin is required in dual role only.

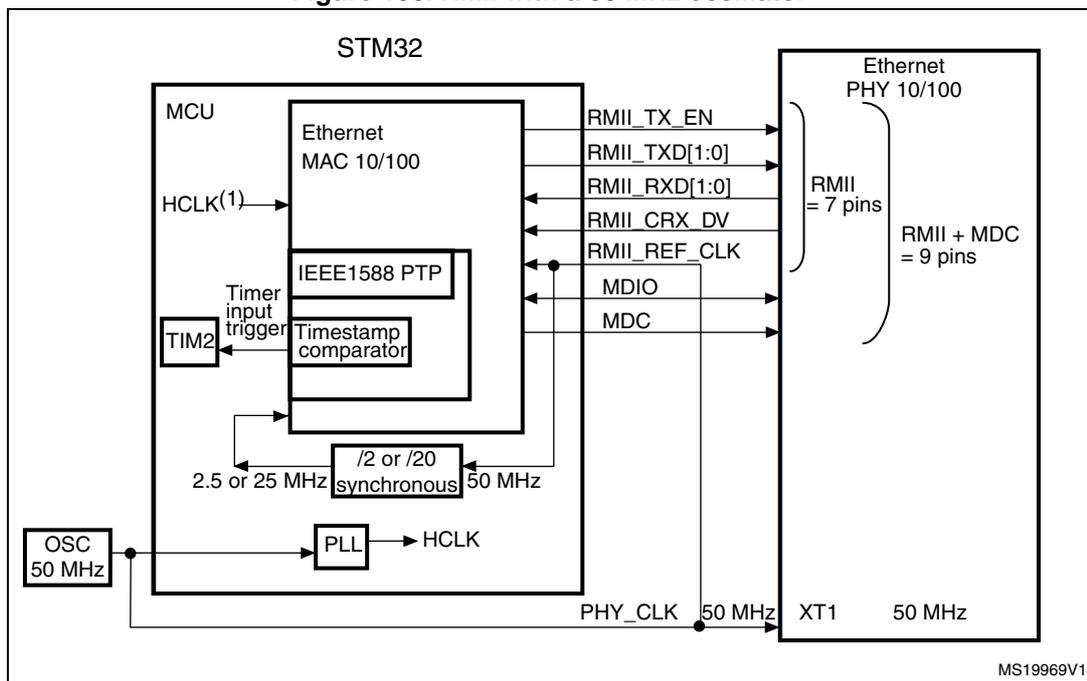
### B.3 Ethernet interface solutions

Figure 105. MII mode using a 25 MHz crystal



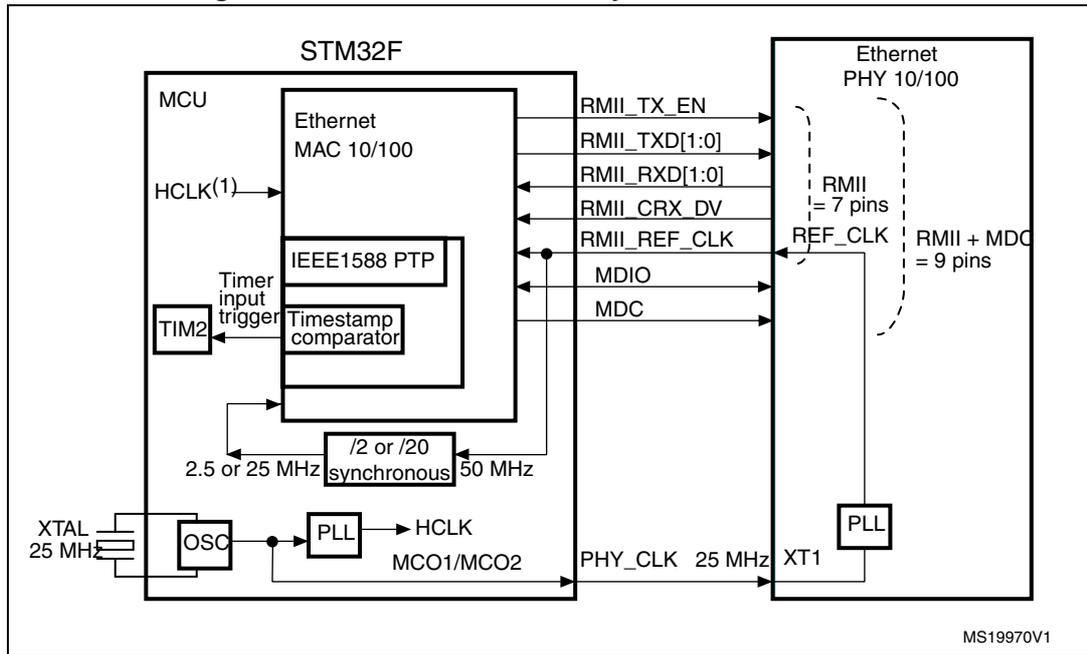
1.  $f_{HCLK}$  must be greater than 25 MHz.
2. Pulse per second when using IEEE1588 PTP optional signal.

Figure 106. RMI with a 50 MHz oscillator



1.  $f_{HCLK}$  must be greater than 25 MHz.

Figure 107. RMI with a 25 MHz crystal and PHY with PLL



1.  $f_{HCLK}$  must be greater than 25 MHz.  
The 25 MHz (PHY\_CLK) must be derived directly from the HSE oscillator, before the PLL block.

## 9 Revision history

**Table 123. Document revision history**

| Date        | Revision | Changes  |
|-------------|----------|--|
| 19-Mar-2013 | 1        | Initial release.   |
| 10-Sep-2013 | 2        | <p>Added STM32F429xx part numbers and related informations.<br/> <b>STM32F427xx part numbers:</b><br/>                     Replaced FSMC by FMC added Chrom-ART Accelerator and SAI interface.<br/>                     Increased core, timer, GPIOs, SPI maximum frequencies<br/>                     Updated <a href="#">Figure 8</a>. Updated <a href="#">Figure 9</a>.<br/>                     Removed note in <a href="#">Section : Standby mode</a>.<br/>                     Updated <a href="#">Figure 18</a>.<br/>                     Updated <a href="#">Table 10: STM32F427xx and STM32F429xx pin and ball definitions</a> and <a href="#">Table 12: STM32F427xx and STM32F429xx alternate function mapping</a>.<br/>                     Modified <a href="#">Figure 19: Memory map</a>.<br/>                     Updated <a href="#">Table 17: General operating conditions</a>, <a href="#">Table 18: Limitations depending on the operating power supply range</a>. Removed note 1 in <a href="#">Table 22: reset and power control block characteristics</a>. Added <a href="#">Table 23: Over-drive switching characteristics</a>.<br/>                     Updated <a href="#">Section : Typical and maximum current consumption</a>, <a href="#">Table 34: Switching output I/O current consumption</a>, <a href="#">Table 35: Peripheral current consumption</a> and <a href="#">Section : On-chip peripheral current consumption</a>.<br/>                     Updated <a href="#">Table 36: Low-power mode wakeup timings</a>.<br/>                     Modified <a href="#">Section : High-speed external user clock generated from an external source</a>, <a href="#">Section : Low-speed external user clock generated from an external source</a>, and <a href="#">Section 6.3.10: Internal clock source characteristics</a>.<br/>                     Updated <a href="#">Table 43: Main PLL characteristics</a> and <a href="#">Table 45: PLLISAI (audio and LCD-TFT PLL) characteristics</a>.<br/>                     Updated <a href="#">Table 52: EMI characteristics</a>.<br/>                     Updated <a href="#">Table 57: Output voltage characteristics</a> and <a href="#">Table 58: I/O AC characteristics</a>.<br/>                     Updated <a href="#">Table 60: TIMx characteristics</a>, <a href="#">Table 61: I2C characteristics</a>, <a href="#">Table 63: SPI dynamic characteristics</a>, <a href="#">Section : SAI characteristics</a>.<br/>                     Updated <a href="#">Table 104: SDRAM read timings</a> and <a href="#">Table 106: SDRAM write timings</a>.</p> |

Table 123. Document revision history

| Date        | Revision | Changes  |
|-------------|----------|--|
| 24-Jan-2014 | 3        | <p>Added STM32F429xE part numbers featuring 512 Mbytes of Flash memory and UFBGA169 package.</p> <p>Added LPSDR SDRAM.</p> <p>Changed INTN into INTR in <a href="#">Figure 4: STM32F427xx and STM32F429xx block diagram</a>.</p> <p>Added note 4. in <a href="#">Table 2: STM32F427xx and STM32F429xx features and peripheral counts</a>.</p> <p>Updated <a href="#">Section 3.15: Boot modes</a>.</p> <p>Updated for PA4 and PA5 in <a href="#">Table 10: STM32F427xx and STM32F429xx pin and ball definitions</a>.</p> <p>Added <math>V_{IN}</math> for BOOT0 pins in <a href="#">Table 14: Voltage characteristics</a>.</p> <p>Updated Note 6., added Note 1., and updated maximum <math>V_{IN}</math> for B pins in <a href="#">Table 17: General operating conditions</a>.</p> <p>Updated maximum Flash memory access frequency with wait states for <math>V_{DD} = 1.8</math> to 2.1 V in <a href="#">Table 18: Limitations depending on the operating power supply range</a>.</p> <p>Updated <a href="#">Table 24: Typical and maximum current consumption in Run mode, code with data processing running from Flash memory (ART accelerator enabled except prefetch) or RAM</a> and <a href="#">Table 25: Typical and maximum current consumption in Run mode, code with data processing running from Flash memory (ART accelerator disabled)</a>.</p> <p>Updated <a href="#">Table 30: Typical current consumption in Run mode, code with data processing running from Flash memory or RAM, regulator ON (ART accelerator enabled except prefetch), <math>V_{DD} = 1.7</math> V</a>, <a href="#">Table 31: Typical current consumption in Run mode, code with data processing running from Flash memory, regulator OFF (ART accelerator enabled except prefetch)</a>, and <a href="#">Table 32: Typical current consumption in Sleep mode, regulator ON, <math>V_{DD} = 1.7</math> V</a>.</p> <p>Updated <a href="#">Table 57: Output voltage characteristics</a>.</p> <p>Updated <a href="#">Table 58: I/O AC characteristics</a>. Added <a href="#">Figure 35</a>.</p> <p>Updated <math>t_{h(SDA)}</math>, <math>t_{r(SDA)}</math> and <math>t_{r(SCL)}</math> and added <math>t_{SP}</math> in <a href="#">Table 61: I2C characteristics</a>.</p> <p>Updated <math>f_{SCK}</math> in <a href="#">Table 63: SPI dynamic characteristics</a>.</p> <p>Updated <a href="#">Table 71: Dynamic characteristics: USB ULPI</a>.</p> <p>Updated <a href="#">Section 6.3.26: FMC characteristics</a> conditions. Updated <a href="#">Figure 74: SDRAM read access waveforms (CL = 1)</a> and <a href="#">Figure 75: SDRAM write access waveforms</a>. Added <a href="#">Table 105: LPSDR SDRAM read timings</a> and <a href="#">Table 107: LPSDR SDRAM write timings</a>. Updated <a href="#">Table 104: SDRAM read timings</a> and <a href="#">Table 106: SDRAM write timings</a> and added note 2. <a href="#">Table 110: Dynamic characteristics: SD / MMC characteristics</a>.</p> |

**Table 123. Document revision history**

| Date        | Revision | Changes   |
|-------------|----------|---|
| 24-Apr-2014 | 4        | <p>In the whole document, minimum supply voltage changed to 1.7 V when external power supply supervisor is used.</p> <p>Added DCMI_VSYNC alternate function on PG9 and updated note 6. in <a href="#">Table 10: STM32F427xx and STM32F429xx pin and ball definitions</a> and <a href="#">Table 12: STM32F427xx and STM32F429xx alternate function mapping</a>. Added note 2. below <a href="#">Figure 16: STM32F42x UFBGA169 ballout</a>.</p> <p>Changed SVGA (800x600) into XGA1024x768) on cover page and in <a href="#">Section 3.10: LCD-TFT controller (available only on STM32F429xx)</a>.</p> <p>Updated <a href="#">Section 3.18.2: Regulator OFF</a>.</p> <p>Updated signal corresponding to pin L5 in <a href="#">Figure 12: STM32F42x WLCSP143 ballout</a>.</p> <p>Added ACC<sub>HSE</sub> in <a href="#">Table 39: HSE 4-26 MHz oscillator characteristics</a> and ACC<sub>LSE</sub> in <a href="#">Table 40: LSE oscillator characteristics (fLSE = 32.768 kHz)</a>.</p> <p>Updated <a href="#">Table 53: ESD absolute maximum ratings</a>.</p> <p>Updated V<sub>IH</sub> in <a href="#">Table 56: I/O static characteristics</a>. Added condition V<sub>DD</sub>&gt;1.7 V in <a href="#">Table 58: I/O AC characteristics</a>.</p> <p>Updated conditions in <a href="#">Table 63: SPI dynamic characteristics</a>.</p> <p>Added Z<sub>DRV</sub> in <a href="#">Table 68: USB OTG full speed electrical characteristics</a></p> <p>Removed note 3 in <a href="#">Table 82: Temperature sensor characteristics</a>.</p> <p>Added <a href="#">Figure 83: LQFP100 marking (package top view)</a>, <a href="#">Figure 85: WLCSP143 marking (package top view)</a>, <a href="#">Figure 88: LQFP144 marking (package top view)</a>, <a href="#">Figure 91: LQFP176 marking (package top view)</a>, <a href="#">Figure 94: LQFP208 marking (package top view)</a>, <a href="#">Figure 96: UFBGA169 marking (package top view)</a> and <a href="#">Figure 98: UFBGA176+25 marking (package top view)</a>.</p> <p>Added <a href="#">Appendix A: Recommendations when using internal reset OFF</a>.<br/>Removed Internal reset OFF hardware connection appendix.</p> |

**Please Read Carefully:**

Information in this document is provided solely in connection with ST products. STMicroelectronics NV and its subsidiaries ("ST") reserve the right to make changes, corrections, modifications or improvements, to this document, and the products and services described herein at any time, without notice.

All ST products are sold pursuant to ST's terms and conditions of sale.

Purchasers are solely responsible for the choice, selection and use of the ST products and services described herein, and ST assumes no liability whatsoever relating to the choice, selection or use of the ST products and services described herein.

No license, express or implied, by estoppel or otherwise, to any intellectual property rights is granted under this document. If any part of this document refers to any third party products or services it shall not be deemed a license grant by ST for the use of such third party products or services, or any intellectual property contained therein or considered as a warranty covering the use in any manner whatsoever of such third party products or services or any intellectual property contained therein.

**UNLESS OTHERWISE SET FORTH IN ST'S TERMS AND CONDITIONS OF SALE ST DISCLAIMS ANY EXPRESS OR IMPLIED WARRANTY WITH RESPECT TO THE USE AND/OR SALE OF ST PRODUCTS INCLUDING WITHOUT LIMITATION IMPLIED WARRANTIES OF MERCHANTABILITY, FITNESS FOR A PARTICULAR PURPOSE (AND THEIR EQUIVALENTS UNDER THE LAWS OF ANY JURISDICTION), OR INFRINGEMENT OF ANY PATENT, COPYRIGHT OR OTHER INTELLECTUAL PROPERTY RIGHT.**

**ST PRODUCTS ARE NOT AUTHORIZED FOR USE IN WEAPONS. NOR ARE ST PRODUCTS DESIGNED OR AUTHORIZED FOR USE IN: (A) SAFETY CRITICAL APPLICATIONS SUCH AS LIFE SUPPORTING, ACTIVE IMPLANTED DEVICES OR SYSTEMS WITH PRODUCT FUNCTIONAL SAFETY REQUIREMENTS; (B) AERONAUTIC APPLICATIONS; (C) AUTOMOTIVE APPLICATIONS OR ENVIRONMENTS, AND/OR (D) AEROSPACE APPLICATIONS OR ENVIRONMENTS. WHERE ST PRODUCTS ARE NOT DESIGNED FOR SUCH USE, THE PURCHASER SHALL USE PRODUCTS AT PURCHASER'S SOLE RISK, EVEN IF ST HAS BEEN INFORMED IN WRITING OF SUCH USAGE, UNLESS A PRODUCT IS EXPRESSLY DESIGNATED BY ST AS BEING INTENDED FOR "AUTOMOTIVE, AUTOMOTIVE SAFETY OR MEDICAL" INDUSTRY DOMAINS ACCORDING TO ST PRODUCT DESIGN SPECIFICATIONS. PRODUCTS FORMALLY ESCC, QML OR JAN QUALIFIED ARE DEEMED SUITABLE FOR USE IN AEROSPACE BY THE CORRESPONDING GOVERNMENTAL AGENCY.**

Resale of ST products with provisions different from the statements and/or technical features set forth in this document shall immediately void any warranty granted by ST for the ST product or service described herein and shall not create or extend in any manner whatsoever, any liability of ST.

ST and the ST logo are trademarks or registered trademarks of ST in various countries.

Information in this document supersedes and replaces all information previously supplied.

The ST logo is a registered trademark of STMicroelectronics. All other names are the property of their respective owners.

© 2014 STMicroelectronics - All rights reserved

STMicroelectronics group of companies

Australia - Belgium - Brazil - Canada - China - Czech Republic - Finland - France - Germany - Hong Kong - India - Israel - Italy - Japan - Malaysia - Malta - Morocco - Philippines - Singapore - Spain - Sweden - Switzerland - United Kingdom - United States of America

[www.st.com](http://www.st.com)