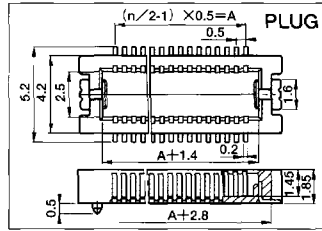
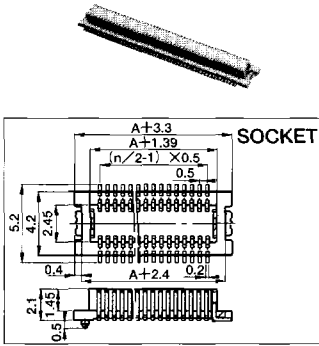


PB-5 Series (Pitch 0.5mm) SMT TYPE

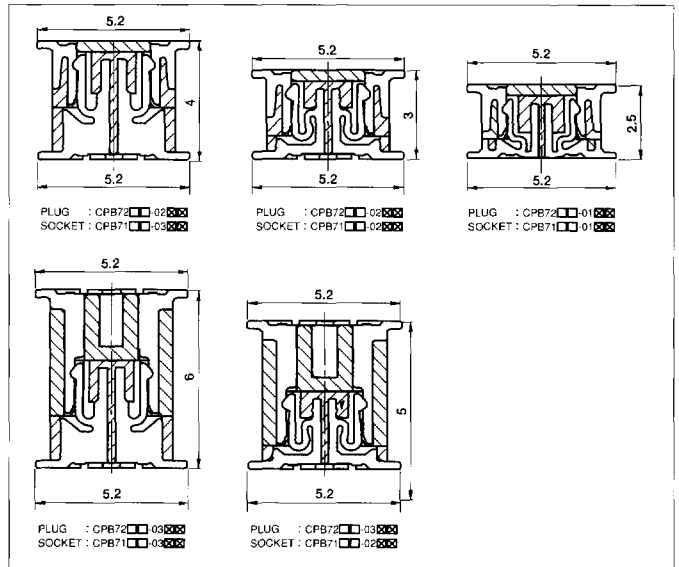


BOARD TO BOARD CONNECTOR
ボードtoボードコネクタ (0.5mmピッチ)

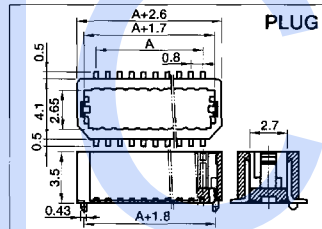
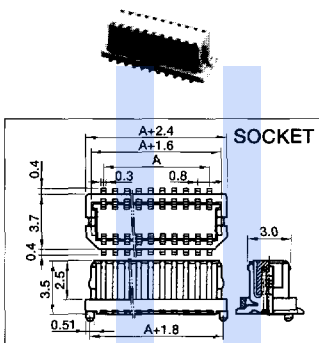
- Rating: 0.5A 50V AC/DC (up to 40P)
0.3A 50V AC/DC (up to 100P)
- Contact Resistance: 50mΩ max.
- Insulation Resistance: 100MΩ min. at 100V DC
- Withstanding Voltage: 100V AC for one minute

No. Posi	Socket	Plug	A
20	CPB7120-01	CPB7220-01	4.5
30	CPB7130-01	CPB7230-01	7.0
40	CPB7140-01	CPB7240-01	9.5
50	CPB7150-01	CPB7250-01	12.0
60	CPB7160-01	CPB7260-01	14.5
70	CPB7170-01	CPB7270-01	17.0
80	CPB7180-01	CPB7280-01	19.5
100	CPB7191-01	CPB7291-01	24.5

嵌合図



PB-8 Series (Pitch 0.8mm) SMT TYPE

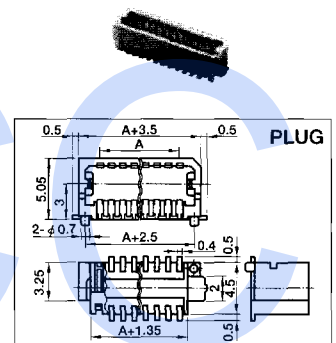
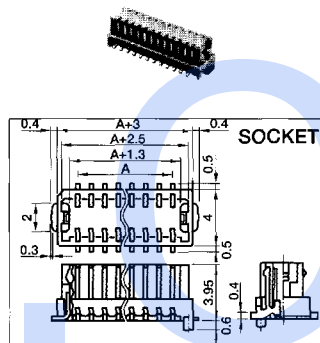


BOARD TO BOARD CONNECTOR
ボードtoボードコネクタ (0.8mmピッチ)

No. Posi	Socket	Straight Plug	Right Angle Plug	A
10	CPB8110-01	CPB8210-01	CPB8310-01	3.2
12	CPB8112-01	CPB8212-01	CPB8312-01	4.0
14	CPB8114-01	CPB8214-01	CPB8314-01	4.8
16	CPB8116-01	CPB8216-01	CPB8316-01	5.6
18	CPB8118-01	CPB8218-01	CPB8318-01	6.4
20	CPB8120-01	CPB8220-01	CPB8320-01	7.2
22	CPB8122-01	CPB8222-01	CPB8322-01	8.0
24	CPB8124-01	CPB8224-01	CPB8324-01	8.8
26	CPB8126-01	CPB8226-01	CPB8326-01	9.6

No. Posi	Socket	Straight Plug	Right Angle Plug	A
28	CPB8128-01	CPB8228-01	CPB8328-01	10.4
30	CPB8130-01	CPB8230-01	CPB8330-01	11.2
32	CPB8132-01	CPB8232-01	CPB8332-01	12.0
34	CPB8134-01	CPB8234-01	CPB8334-01	12.8
36	CPB8136-01	CPB8236-01	CPB8336-01	13.6
38	CPB8138-01	CPB8238-01	CPB8338-01	14.4
40	CPB8140-01	CPB8240-01	CPB8340-01	15.2
48	CPB8148-01	CPB8248-01	CPB8348-01	18.4
54	CPB8154-01	CPB8254-01	CPB8354-01	20.8

PB-10 Series (Pitch 1.0mm) SMT TYPE



BOARD TO BOARD CONNECTOR
ボードtoボードコネクタ (1.0mmピッチ)

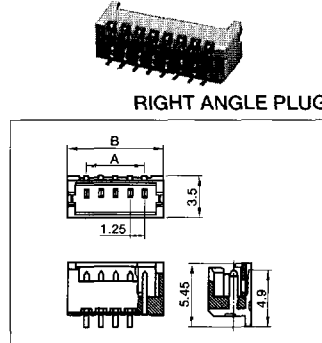
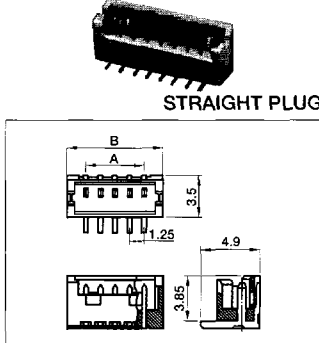
- Rating: 0.5A 50V AC/DC
- Contact Resistance: 20mΩ max.

- Insulation Resistance: 500MΩ min. at 100V DC
- Withstanding Voltage: 100V AC for one minute

No. Posi	Socket	Straight Plug	Right Angle Plug	A
10	CPB8510-01	CPB8610-01	CPB8610-02	4
12	CPB8512-01	CPB8612-01	CPB8612-02	5
14	CPB8514-01	CPB8614-01	CPB8614-02	6
16	CPB8516-01	CPB8616-01	CPB8616-02	7
18	CPB8518-01	CPB8618-01	CPB8618-02	8

No. Posi	Socket	Straight Plug	Right Angle Plug	A
20	CPB8520-01	CPB8620-01	CPB8620-02	9
22	CPB8522-01	CPB8622-01	CPB8622-02	10
24	CPB8524-01	CPB8624-01	CPB8624-02	11
30	CPB8530-01	CPB8630-01	CPB8630-02	14
32	CPB8532-01	CPB8632-01	CPB8632-02	15

HP Series (Pitch 1.25mm) SMT TYPE

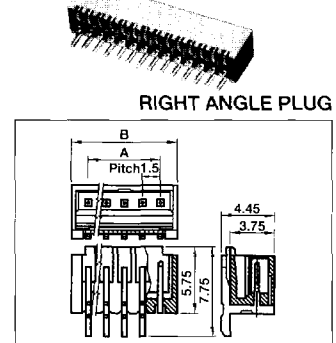
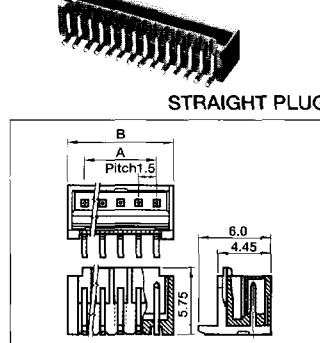


CRIMPING CONNECTOR PLUG
圧着コネクタプラグ (1.25mmピッチ)

- Rating: 1A 125V AC/DC
- Contact Resistance: 20mΩ max.
- Insulation Resistance: 100MΩ min. at 500V DC
- Withstanding Voltage: 500V AC for one minute

No. Posi	STRAIGHT	RIGHT ANGLE	A	B
2	CHP2502-0101	CHP2702-0101	1.25	4.25
3	CHP2503-0101	CHP2703-0101	2.50	5.50
4	CHP2504-0101	CHP2704-0101	3.75	6.75
5	CHP2505-0101	CHP2705-0101	5.00	8.00
6	CHP2506-0101	CHP2706-0101	6.25	9.25
7	CHP2507-0101	CHP2707-0101	7.50	10.50
8	CHP2508-0101	CHP2708-0101	8.75	11.75
9	CHP2509-0101	CHP2709-0101	10.00	13.00
10	CHP2510-0101	CHP2710-0101	11.25	14.25
12	CHP2512-0101	CHP2712-0101	13.75	16.75
13	CHP2513-0101	CHP2713-0101	15.00	18.00
15	CHP2515-0101	CHP2715-0101	17.50	20.50

EP Series (Pitch 1.5mm) SMT TYPE

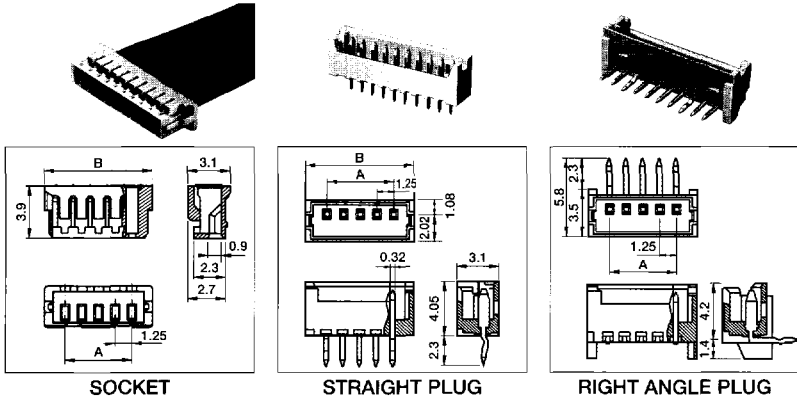


CRIMPING CONNECTOR PLUG
圧着コネクタプラグ (1.5mmピッチ)

- Rating: 1A 50V AC/DC
- Contact Resistance: 20mΩ max.
- Insulation Resistance: 100MΩ min. at 500V DC
- Withstanding Voltage: 500V AC for one minute

No. Posi	STRAIGHT	RIGHT ANGLE	A	B
2	CGP4502-0101	CGP4702-0101	1.5	4.3
3	CGP4503-0101	CGP4703-0101	3.0	5.8
4	CGP4504-0101	CGP4704-0101	4.5	7.3
5	CGP4505-0101	CGP4705-0101	6.0	8.8
6	CGP4506-0101	CGP4706-0101	7.5	10.3
7	CGP4507-0101	CGP4707-0101	9.0	11.8
8	CGP4508-0101	CGP4708-0101	10.5	13.3
9	CGP4509-0101	CGP4709-0101	12.0	14.8
11	CGP4511-0101	CGP4711-0101	15.0	17.8
14	CGP4514-0101	CGP4714-0101	19.5	22.3

HP Series (Pitch 1.25mm)

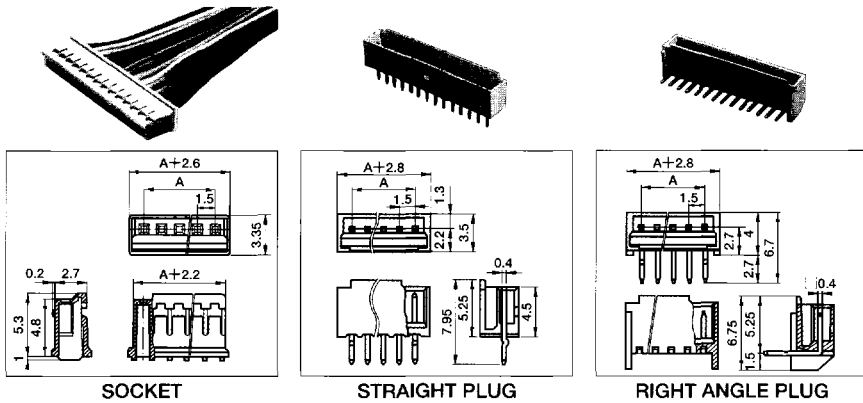


No. Posi	SOCKET	STRAIGHT PLUG	RIGHT ANGLE PLUG	A
2	CHP1102-0101	CHP1502-0101	CHP1702-0101	1.25
3	CHP1103-0101	CHP1503-0101	CHP1703-0101	2.50
4	CHP1104-0101	CHP1504-0101	CHP1704-0101	3.75
5	CHP1105-0101	CHP1505-0101	CHP1705-0101	5.00
6	CHP1106-0101	CHP1506-0101	CHP1706-0101	6.25
7	CHP1107-0101	CHP1507-0101	CHP1707-0101	7.50
8	CHP1108-0101	CHP1508-0101	CHP1708-0101	8.75
9	CHP1109-0101	CHP1509-0101	CHP1709-0101	10.00
10	CHP1110-0101	CHP1510-0101	CHP1710-0101	11.25
12	CHP1112-0101	CHP1512-0101	CHP1712-0101	13.75
15	CHP1115-0101	CHP1515-0101	CHP1715-0101	17.50

CRIMPING CONNECTOR
圧着コネクタ (1.25mmピッチ)

TERMINAL CTA 1126-0501
● Applicable Wire Size:AWG 26~32

EP Series (Pitch 1.5mm)

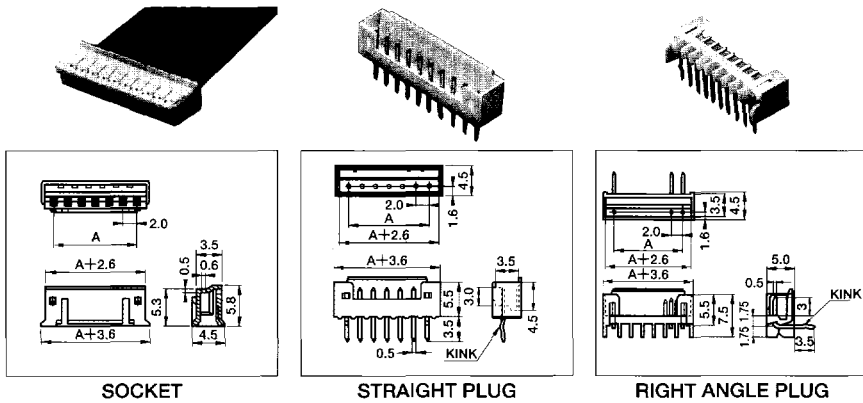


No. Posi	SOCKET	STRAIGHT PLUG	RIGHT ANGLE PLUG	A
2	CGP1202-0101	CGP1602-0101	CGP1702-0101	1.5
3	CGP1203-0101	CGP1603-0101	CGP1703-0101	3.0
4	CGP1204-0101	CGP1604-0101	CGP1704-0101	4.5
5	CGP1205-0101	CGP1605-0101	CGP1705-0101	6.0
6	CGP1206-0101	CGP1606-0101	CGP1706-0101	7.5
7	CGP1207-0101	CGP1607-0101	CGP1707-0101	9.0
8	CGP1208-0101	CGP1608-0101	CGP1708-0101	10.5
9	CGP1209-0101	CGP1609-0101	CGP1709-0101	12.0
10	CGP1210-0101	CGP1610-0101	CGP1710-0101	13.5
11	CGP1211-0101	CGP1611-0101	CGP1711-0101	15.0
12	CGP1212-0101	CGP1612-0101	CGP1712-0101	16.5
13	CGP1213-0101	CGP1613-0101	CGP1713-0101	18.0
14	CGP1214-0101	CGP1614-0101	CGP1714-0101	19.5
15	CGP1215-0101	CGP1615-0101	CGP1715-0101	21.0

CRIMPING CONNECTOR
圧着コネクタ (1.5mmピッチ)

TERMINAL CTA 1126-0101
● Applicable Wire Size:AWG 26~32
TERMINAL CTA 1126-1001
● Applicable Wire Size:AWG 24~26

UP Series (Pitch 2.0mm)

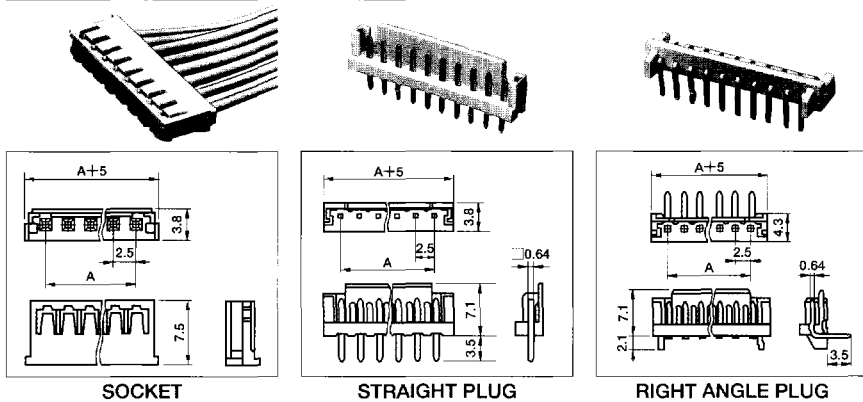


No. Posi	SOCKET	STRAIGHT PLUG	RIGHT ANGLE PLUG	A
2	W-A2402	W-P7502	W-P7902	2
3	W-A2403	W-P7503	W-P7903	4
4	W-A2404	W-P7504	W-P7904	6
5	W-A2405	W-P7505	W-P7905	8
6	W-A2406	W-P7506	W-P7906	10
7	W-A2407	W-P7507	W-P7907	12
8	W-A2408	W-P7508	W-P7908	14
9	W-A2409	W-P7509	W-P7909	16
10	W-A2410	W-P7510	W-P7910	18
11	W-A2411	W-P7511	W-P7911	20
12	W-A2412	W-P7512	W-P7912	22
13	W-A2413	W-P7513	W-P7913	24
14	W-A2414	W-P7514	W-P7914	26
15	W-A2415	W-P7515	W-P7915	28

CRIMPING CONNECTOR
圧着コネクタ (2.0mmピッチ)

TERMINAL W-T 0843-11#01
● Applicable Wire Size:AWG 22~30

SP Series (Pitch 2.5mm)



No. Posi	SOCKET	STRAIGHT PLUG	RIGHT ANGLE PLUG	A
2	W-A2502-IN	CSP1502-0301	W-P5302	2.5
3	W-A2503-IN	CSP1503-0301	W-P5303	5.0
4	W-A2504-IN	CSP1504-0301	W-P5304	7.5
5	W-A2505-IN	CSP1505-0301	W-P5305	10.0
6	W-A2506-IN	CSP1506-0301	W-P5306	12.5
7	W-A2507-IN	CSP1507-0301	W-P5307	15.0
8	W-A2508-IN	CSP1508-0301	W-P5308	17.5
9	W-A2509-IN	CSP1509-0301	W-P5309	20.0
10	W-A2510-IN	CSP1510-0301	W-P5310	22.5
11	W-A2511-IN	CSP1511-0301	W-P5311	25.0
12	W-A2512-IN	CSP1512-0301	W-P5312	27.5
13	W-A2513-IN	CSP1513-0301	W-P5313	30.0
14	W-A2514-IN	CSP1514-0301	W-P5314	32.5
15	W-A2515-IN	CSP1515-0301	W-P5315	35.0

CRIMPING CONNECTOR
圧着コネクタ (2.5mmピッチ)

TERMINAL W-T 0823-11#01
● Applicable Wire Size:AWG 22~30