



General technical details:		
Product designation		contact block
Degree of pollution		class 3
Insulation voltage / rated value	V	400
Impulse voltage resistance / rated value	kV	4
Thermal current	A	10
Contact reliability		5 V, 1 mA
Protection against electrical shock		finger-safe
• at AC-12 / at 24 V	A	10
• at AC-12 / at 48 V	A	10
• at AC-12 / at 110 V	A	10
• at AC-12 / at 230 V	A	10
• at AC-12 / at 400 V	A	10
• at AC-15		
• at 24 V	A	6
• at 48 V	A	6
• at 110 V	A	6
• at 230 V	A	6
• at 400 V	A	3
• at DC-12		

<ul style="list-style-type: none"> • at 24 V • at 48 V • at 110 V • at 230 V 	A	10
	A	5
	A	2.5
	A	1
• at DC-13		
<ul style="list-style-type: none"> • at 24 V • at 48 V • at 110 V • at 230 V 	A	3
	A	1.5
	A	0.7
	A	0.3
Type of voltage		
<ul style="list-style-type: none"> • of the operating voltage 		AC/DC
Operating voltage		
<ul style="list-style-type: none"> • 1 / for DC / rated value 	V	24
<ul style="list-style-type: none"> • for DC <ul style="list-style-type: none"> • rated value 	V	5 ... 230
<ul style="list-style-type: none"> • 1 / at 50 Hz / for AC / rated value 	V	400
<ul style="list-style-type: none"> • at 50 Hz / at AC <ul style="list-style-type: none"> • rated value 	V	5 ... 400
<ul style="list-style-type: none"> • 1 / at 60 Hz / for AC / rated value 	V	300
<ul style="list-style-type: none"> • at 60 Hz / at AC <ul style="list-style-type: none"> • rated value 	V	5 ... 300
Number of NC contacts / for auxiliary contact		0
Number of NO contacts / for auxiliary contact		2
Number of change-over switches / for auxiliary contact		0
Suitability for integration		front element
<ul style="list-style-type: none"> • suspension button 		Yes
<ul style="list-style-type: none"> • pressure selection button 		Yes
<ul style="list-style-type: none"> • front element 		Yes
<ul style="list-style-type: none"> • suspension button 		Yes
Item designation		
<ul style="list-style-type: none"> • according to DIN 40719 extendable after IEC 204-2 / according to IEC 750 		S
<ul style="list-style-type: none"> • according to DIN EN 61346-2 		S

Mechanical design:

Design of the electrical connection		screw-type terminals
Tightening torque / for auxiliary contacts / with screw-type terminals	N-m	0.8
Operating cycles / maximum	1/h	1,000
Electrical operating cycles as operating time / with contactors 3RT1015 to 3RT1026 / typical		100,000,000

Mechanical operating cycles as operating time / typical		10,000,000
Protection class IP		IP20
Protection class IP / of the housing		IP40
Type of fixing/fixation		front mounting
Product component		
• fluorescent materials		No
• diode		No
• series resistance		No
• lamp transformer		No
Width	mm	10
Height	mm	45
Depth	mm	40

Connections:

Type of connectable conductor cross section

- for auxiliary contacts
 - solid
 - with wire end processing
 - finely stranded
 - with wire end processing
- for AWG conductors / for auxiliary contacts

2x (1 ... 1.5 mm ²)
2x (0.5 ... 0.75 mm ²)
2x (0.5 ... 1.5 mm ²)
2x (18 ... 14)

Ambient conditions:

Ambient temperature

- during the operating phase

°C	70 ... -25
----	------------

Certificates/approvals:

Verification of suitability

CSA / UL / CCC

Further information:

Information- and Downloadcenter (Catalogs, Brochures,...)

<http://www.siemens.com/industrial-controls/catalogs>

Global Industry Mall (Online ordering system)

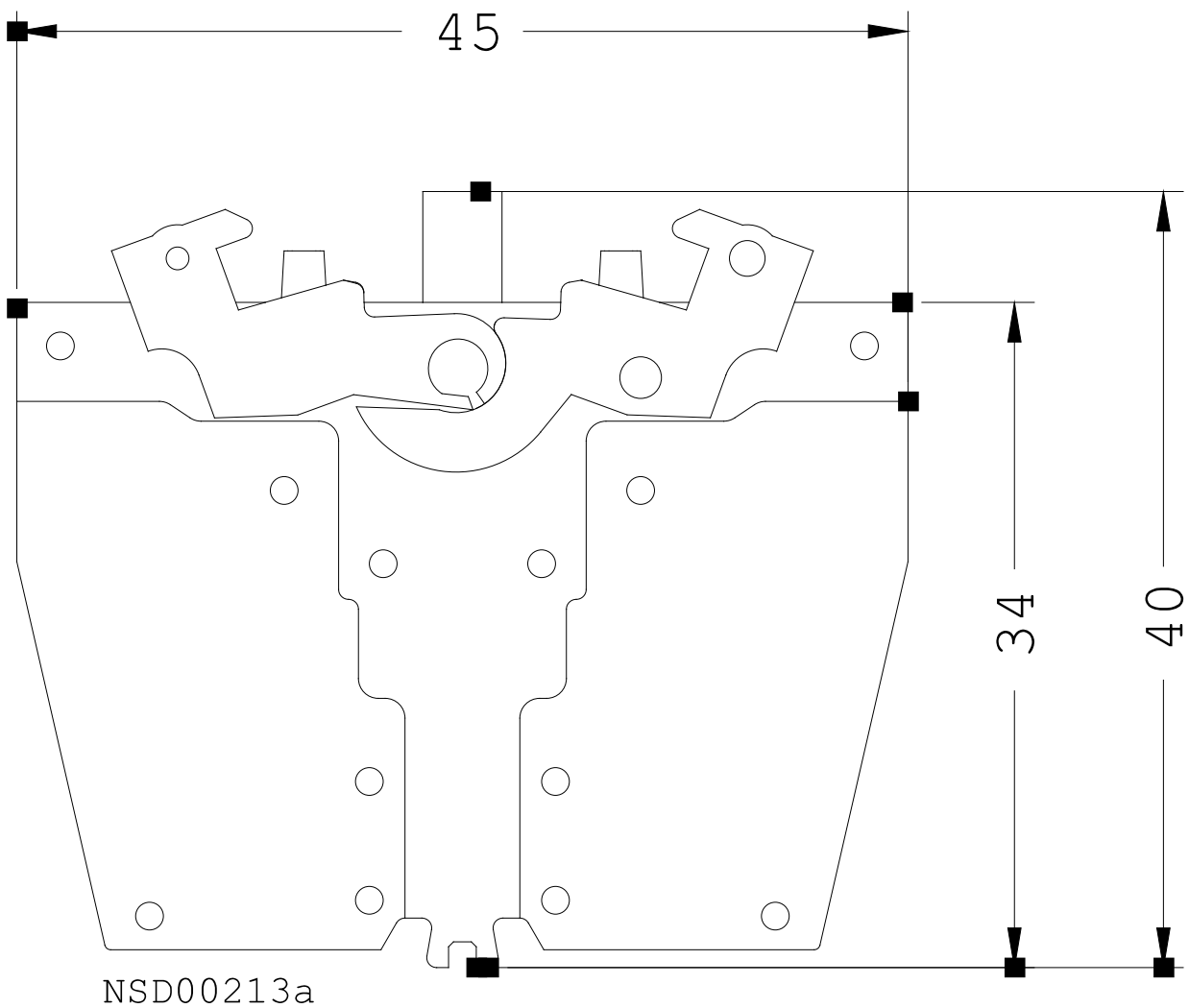
<http://www.siemens.com/industrial-controls/mall>

Service&Support (Manuals, Certificates, Characteristics, FAQs,...)

<http://support.automation.siemens.com/WW/view/en/3SB3400-0DA/all>

Image database (product images, 2D dimension drawings, 3D models, device circuit diagrams, ...)

http://www.automation.siemens.com/bilddb/cax_en.aspx?mlfb=3SB3400-0DA



NSD00213a

last change:

Aug 16, 2010