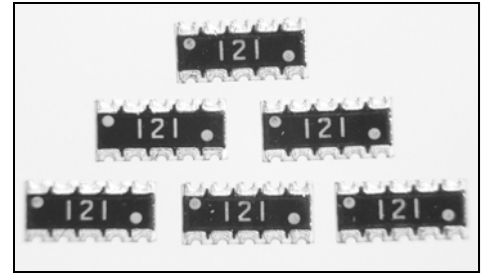


# RAC Series — Concave Termination Chip Resistor Array



## Features

- Thick film resistor element
- Zero ohm available
- Auto-placement capability
- Multiple circuit types available
- Ideal SMD substitute for leaded networks
- RoHS compliant / lead-free available (RACF)

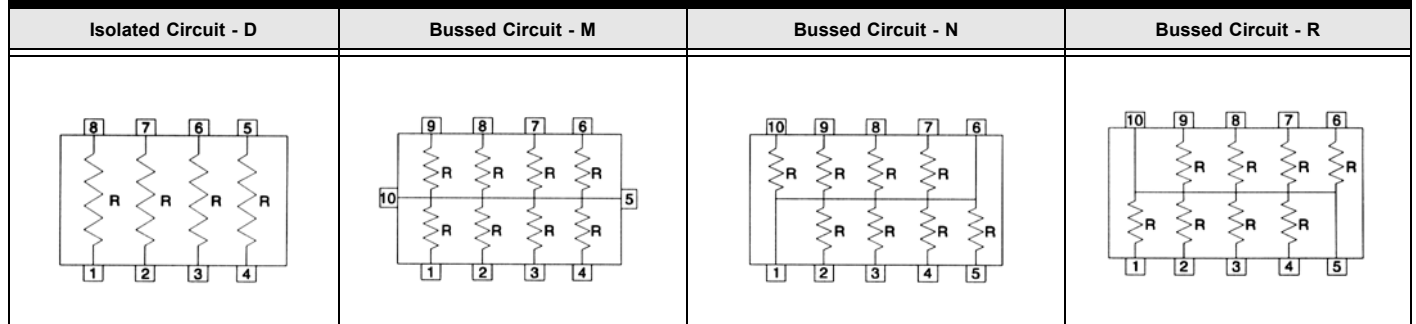


## Electrical Specifications

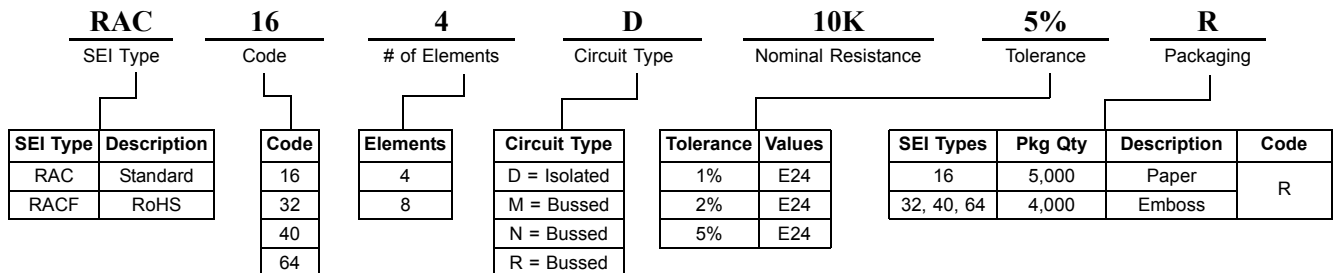
Type/Code/ # of Elements/ Circuit Type	Power Rating (per element) @ 70°C	Maximum Working Voltage*	Maximum Overload Voltage	Resistance Temperature Coefficient	Ohmic Range and Tolerance	
					1%	5%
RAC 16-4D	0.063W	50V	100V	±200 ppm/°C	22Ω – 1MΩ	10Ω – 1MΩ
RAC 32-4D	0.125W	75V	150V	±200 ppm/°C	22Ω – 1MΩ	10Ω – 1MΩ
RAC 40-8M	0.063W	25V	50V	±200 ppm/°C	–	22Ω – 1MΩ
RAC 64-8N	0.063W	50V	100V	±200 ppm/°C	–	22Ω – 1MΩ
RAC 64-8R	0.063W	50V	100V	±200 ppm/°C	–	22Ω – 1MΩ

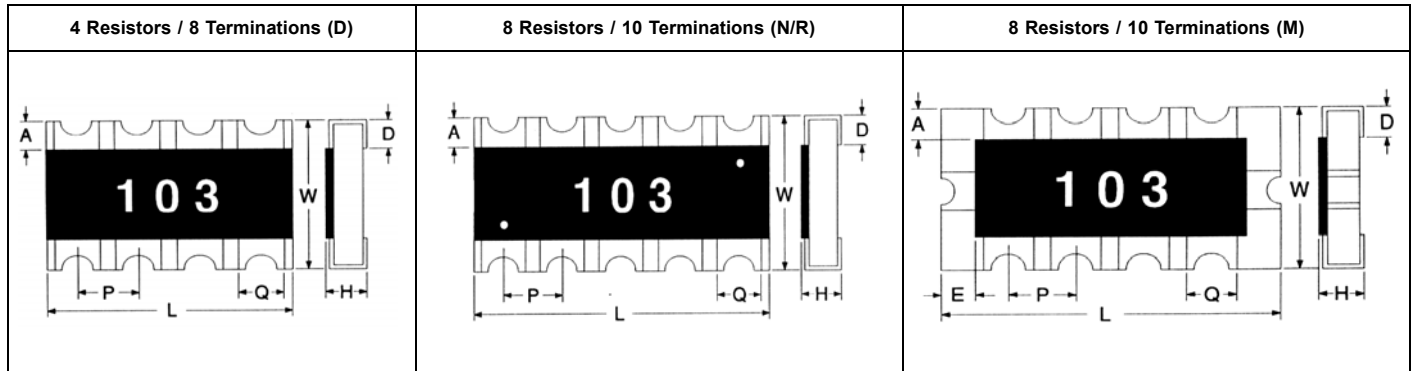
\* Lesser of  $\sqrt{\text{PR}}$  or maximum working voltage.

## Schematics



## How to Order





Mechanical Specifications								
	inches		mm					
Type/Code/ # of Elements/ Circuit Type	L Body Length	W Body Width	H Body Height	P Element Spacing	Q Termination Width	D Bottom Termination	A Top Termination	E End Termination
RAC 16-4D	0.126 ± 0.008 3.20 ± 0.20	0.063 ± 0.006 1.60 ± 0.15	0.024 ± 0.004 0.60 ± 0.10	0.031 0.80	0.016 ± 0.006 0.40 ± 0.15	0.016 ± 0.008 0.40 ± 0.20	0.012 ± 0.008 0.30 ± 0.20	-
RAC 32-4D	0.200 ± 0.008 5.08 ± 0.20	0.118 ± 0.008 3.00 ± 0.20	0.024 ± 0.004 0.60 ± 0.10	0.050 1.27	0.031 ± 0.004 0.80 ± 0.10	0.020 ± 0.008 0.50 ± 0.20	0.022 ± 0.008 0.55 ± 0.20	-
RAC 40-8M	0.157 ± 0.008 4.00 ± 0.20	0.083 ± 0.008 2.10 ± 0.20	0.024 ± 0.004 0.60 ± 0.10	0.031 0.80	0.020 ± 0.008 0.50 ± 0.20	0.016 ± 0.008 0.40 ± 0.20	0.010 ± 0.008 0.25 ± 0.20	0.012 ± 0.008 0.30 ± 0.20
RAC 64-8N	0.252 ± 0.008 6.40 ± 0.20	0.122 ± 0.008 3.10 ± 0.20	0.024 ± 0.004 0.60 ± 0.10	0.050 1.27	0.028 ± 0.008 0.70 ± 0.20	0.020 ± 0.008 0.50 ± 0.20	0.014 ± 0.006 0.35 ± 0.15	-
RAC 64-8R	0.252 ± 0.008 6.40 ± 0.20	0.122 ± 0.008 3.10 ± 0.20	0.024 ± 0.004 0.60 ± 0.10	0.050 1.27	0.028 ± 0.008 0.70 ± 0.20	0.020 ± 0.008 0.50 ± 0.20	0.014 ± 0.006 0.35 ± 0.15	-

Performance Characteristics	
Test	Test Results (JIS C 5202)
Load Life in Moisture	±3%
Temperature Cycle	±1%
Load Life	±3%
Resistance to Soldering Heat	±1%
Terminal Adhesion	±1%
Short Time Overload	±2%

Operating Temperature Range : -55°C to +150°C