

Surface  
**SMT**  
Mount

# .025" SQ TERMINAL STRIPS TSM SERIES

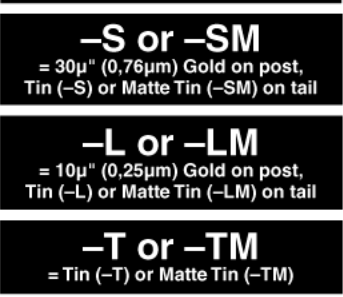
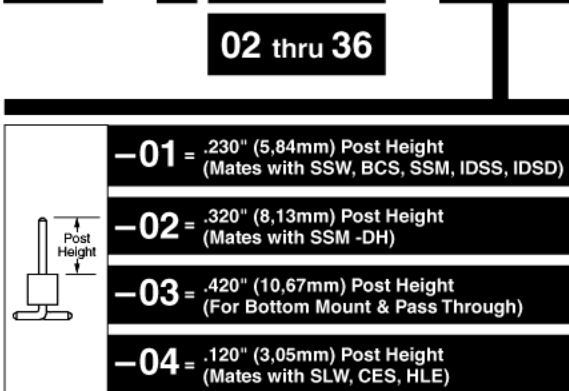
**Mates with:**  
SSW, SSQ, SSM, BSW,  
ESW, ESQ, BCS, SLW,  
CES, IDSS, IDSD, HLE



## SPECIFICATIONS

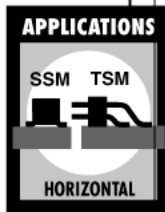
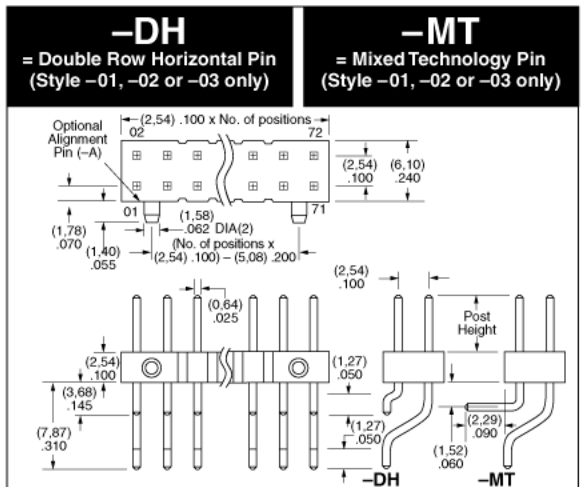
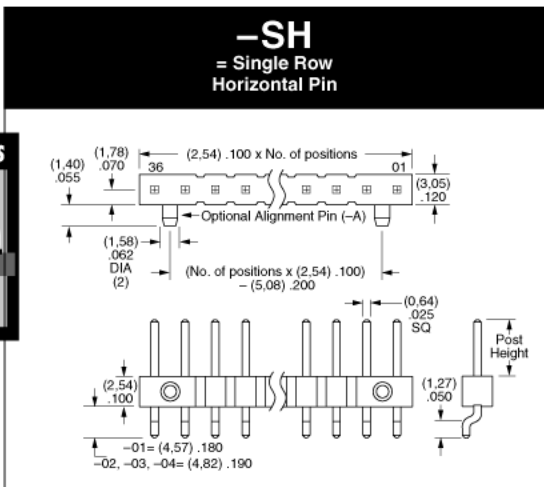
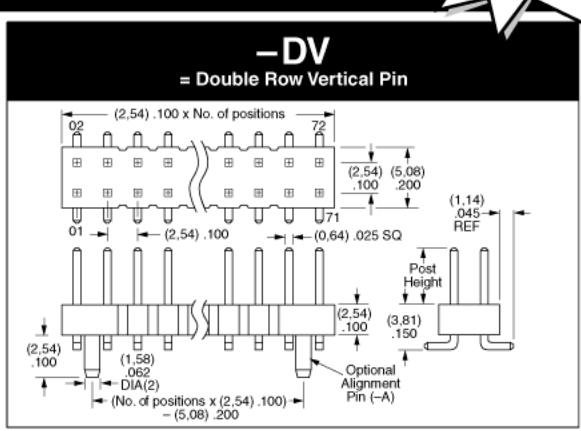
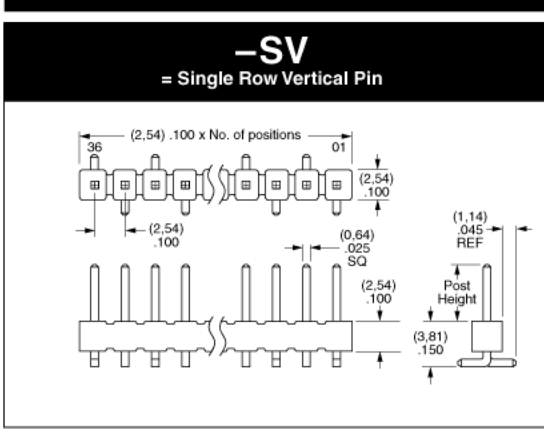
For complete specifications see [www.samtec.com](http://www.samtec.com)?TSM

**Insulator Material:**  
Black Liquid Crystal Polymer  
**Terminal Material:**  
Phosphor Bronze  
**Plating:**  
Au or Sn over 50µ" (1,27µm) Ni  
**Operating Temp Range:**  
-55°C to +105°C with Tin;  
-55°C to +125°C with Gold  
**Voltage Rating:**  
475 VAC -SV/-DV mated with BCS or SSM



AMBIENT TEMPERATURE	CURRENT RATING
20°C	7A
40°C	6A
60°C	4A
80°C	3A

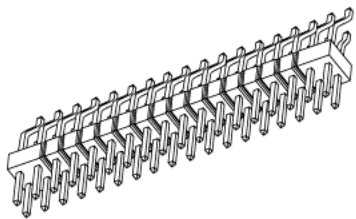
**Processing:**  
**Max Processing Temp:**  
230°C for 60 seconds, or  
260°C for 20 seconds 3x with Matte Sn  
**Lead-Free Solderable:**  
Yes, with Matte Sn plating  
**-DH/-SH Lead Coplanarity:**  
(0,15mm) .006" max (02-36)  
**-DV/-SV Lead Coplanarity:**  
(0,10mm) .004" max (02-05)  
(0,13mm) .005" max (06-10)  
(0,15mm) .006" max (11-36)



**Note:** Some lengths, styles and options are non-standard, non-returnable.

Due to technical progress, all designs, specifications and components are subject to change without notice.

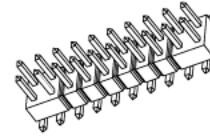
[WWW.SAMTEC.COM](http://WWW.SAMTEC.COM)



TSM-118-01-L-DH



TSM-115-01-T-SH-A



TSM-110-01-T-DV

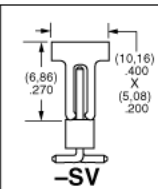


**OTHER OPTIONS**

**-A**  
= Alignment Pin  
Metal or plastic at  
Samtec discretion  
N/A with -TV, TM  
or -MT.  
(02 positions  
minimum)

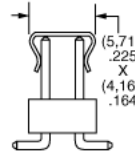
**-K**  
= (6,50mm)  
.256"  
DIA  
Polyimide  
Film Pick &  
Place Pad  
(-SH & -DH only)  
(4 positions  
minimum)

**-P**  
= Plastic Pick & Place Pad  
(4 positions minimum  
without -TR)  
(2 & 3 positions  
available with -TR)  
(-SH: 3 positions  
minimum without -TR;  
2 positions available  
with -TR)  
(-DH: 4 positions  
minimum without -TR)  
(-SV: 4 positions  
minimum without -TR;  
2 & 3 positions  
available with -TR)



-SH & -DH

**-M**  
= Metal Pick & Place Pad  
(4 positions minimum  
without -TR)  
(2 & 3 positions  
available with -TR)  
Styles -01 & -04 only



-DV

**-TR**  
= Tape & Reel Packaging  
(-SV = 02-22 positions;  
02 & 03 positions only available with -P)  
(-DV = 02-28 positions;  
02 & 03 positions only available with -M)  
(-SH = 02-30 positions;  
02 position only available with -P)  
N/A with -MT, -TV or -TM

**-LC**  
= Locking Clip  
(Not available  
with -TV or -TM)  
(3 positions  
minimum)

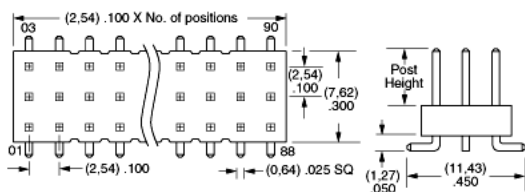
**-“XXX”**  
= Polarized  
Position

**TAPE & REEL AVAILABILITY**  
No tooling charges.  
125 piece minimum order.  
Order any quantity above minimum.  
In-house design, manufacture.  
Quick turn-around.  
Call Samtec for specifications  
and ordering information.

**-TV**

= Triple Row Vertical Surface Mount (Style -01 only)

02 thru 30 positions only

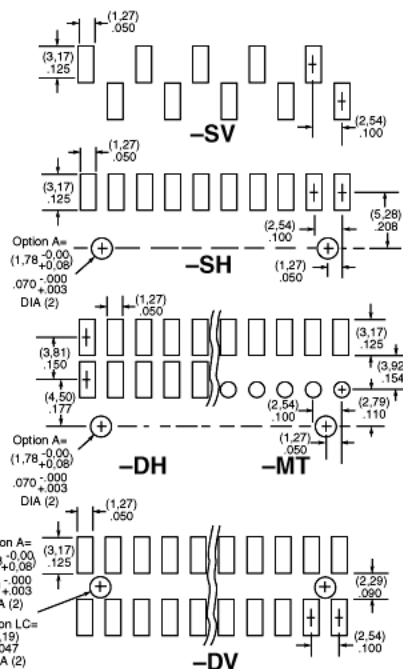


**APPLICATION SPECIFIC OPTIONS**

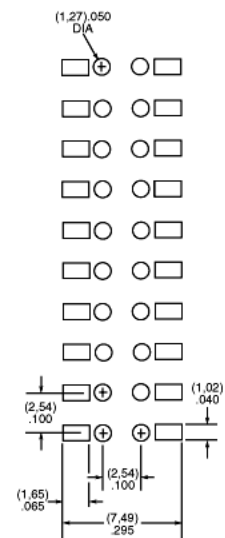
Edge Mount, Locking Clips for -SV, molded Pick-and-Place Pads, Solder Locks and Shrouds for -DH, and plastic Pick-and-Place Pads for -DV available. Call Samtec.

**SUGGESTED PCB LAYOUTS**

For reference only. Please contact Samtec or go to [www.samtec.com](http://www.samtec.com)?TSM



**SSM Series  
(Pass-Through Application)**



Due to technical progress, all designs, specifications and components are subject to change without notice.

**WWW.SAMTEC.COM**