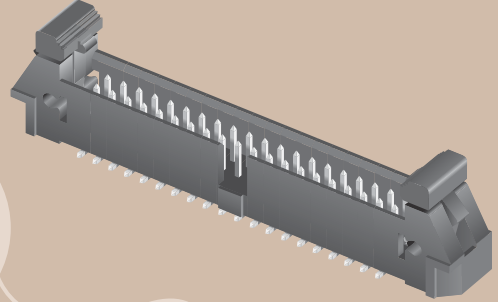
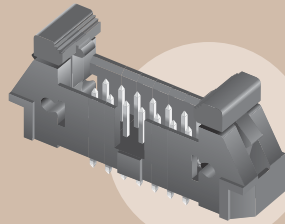


EJH-107-01-F-D-TH



EJH-120-01-S-D-SM

EJECTOR HEADER EJH SERIES

SPECIFICATIONS

For complete specifications and recommended PCB layouts see www.samtec.com?EJH

Insulator Material:
Liquid Crystal
Polymer



Terminal Material:
Phosphor Bronze

Plating:
Sn or Au over 50µ" (1,27µm) Ni

Current Rating:
3A @ 80°C ambient

Operating Temp Range:
-55°C to +125°C

RoHS Compliant:
Yes

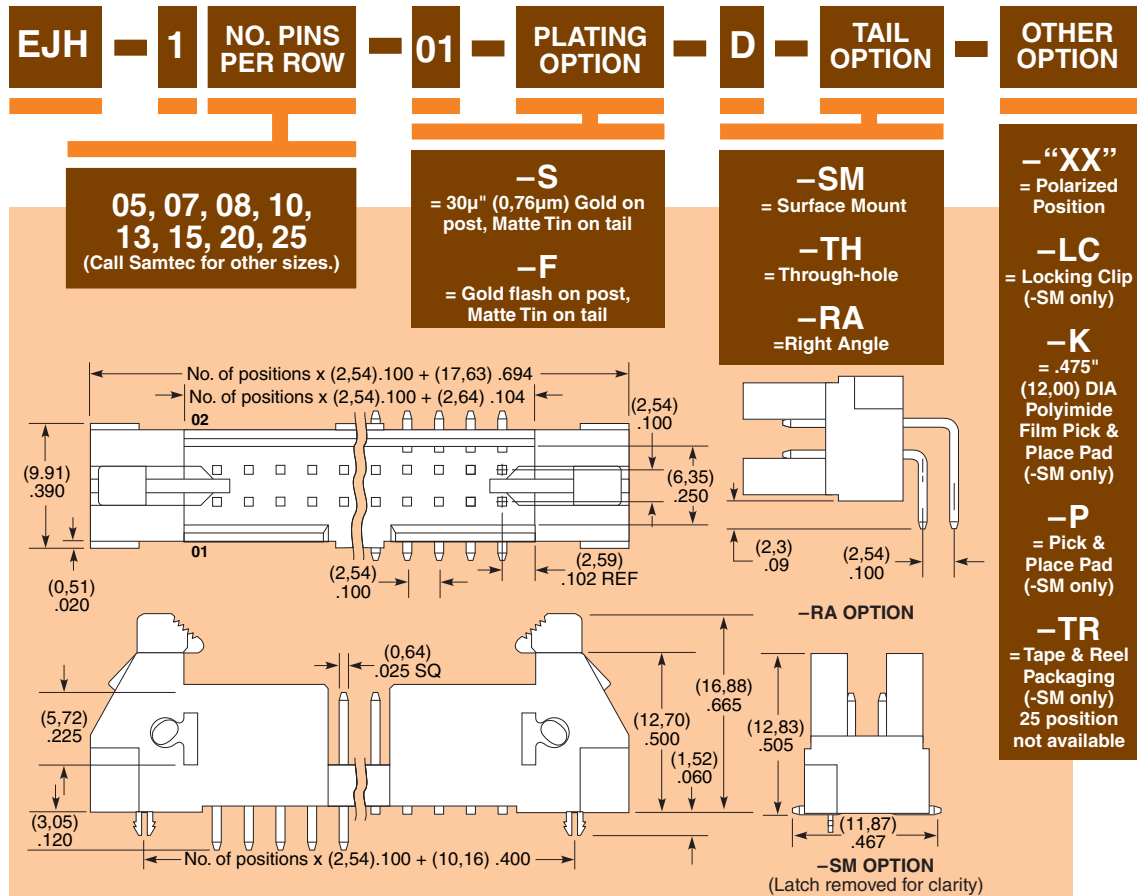
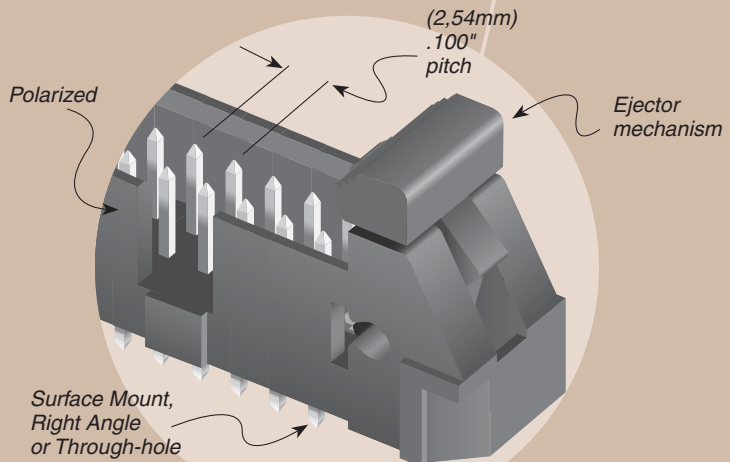
Processing:

Max Processing Temp:
230°C for 60 seconds, or
260°C for 20 seconds 3x

Lead-Free Solderable:
Yes

SMT Lead Coplanarity:
(0,10mm) .004" max

Mates with:
IDSD



Note: Some lengths, styles and options are non-standard, non-returnable.

Due to technical progress, all designs, specifications and components are subject to change without notice.

WWW.SAMTEC.COM