

.100" IDC CABLE STRIPS

HCMD, HCMS
HCSD, HCSS

Mates with:

TSW, MTSW, TST, EW, BST, LCW, ZST, MTLW, TSM

Features:

- Low Profile
- Skinny side locks
- Dual beam contacts
- Single & double row
- High temp insulator
- Odd lead counts
- Customs our specialty
- Easy assembly

Specifications:
HCSD, HCSS

Insulator Material:
Black Liquid Crystal Polymer
Flammability Rating:
UL 94V-0

Insulation Resistance:
5000 MΩ

Temperature Range:
-55°C to +80°C

Withstanding Voltage:
1000 VRMS @ 60 Hz

Contact: Phosphor Bronze
Plating:

10μ" (0,25μm) on contact area, 150μ" (3,81μm) Sn on balance over 50μ" (1,27μm) Ni.

Current Rating: 1A
Contact Resistance:

10 mΩ max

Lead Size Range:
.024" (0,61mm) SQ to .026" (0,66mm) SQ

Lead Insertion Depth:
.185" (4,70mm) to .250" (6,35mm)

Insertion Force:
6 oz avg (1,67N) average with .025" (0,64mm) SQ probe

Withdrawal Force:
3 oz avg (0,83N) average with .025" (0,64mm) SQ probe

Wire: 28 AWG 7/36 stranded Tinned Copper

Specifications:
HCMD, HCMS

Insulator Material:
Black Liquid Crystal Polymer
Flammability Rating:
UL 94V-0

Insulation Resistance:
5000 MΩ

Temperature Range:
-55°C to +80°C

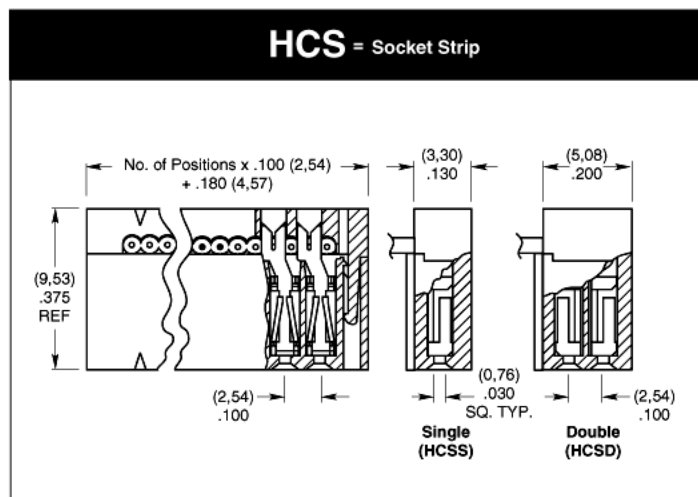
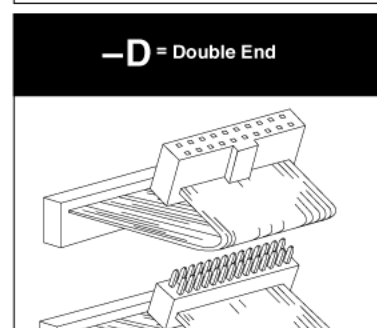
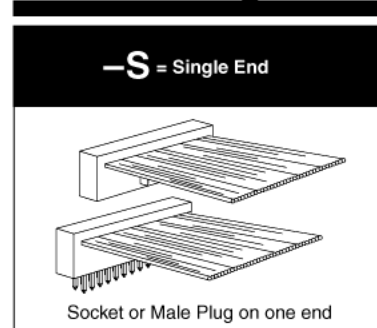
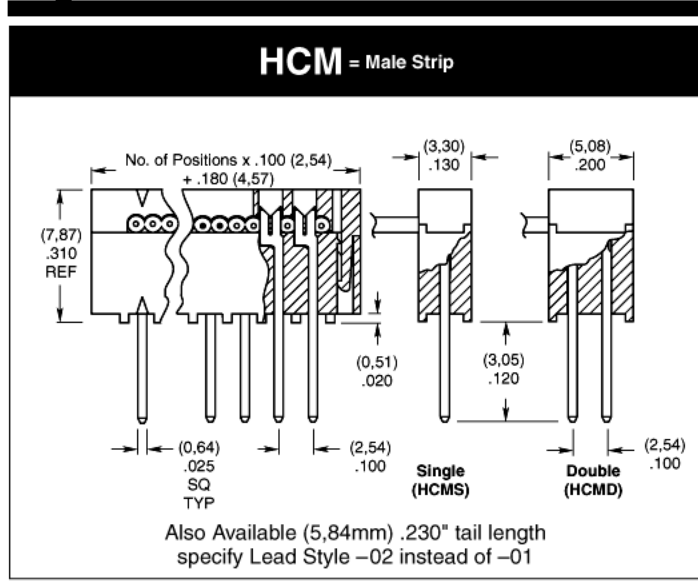
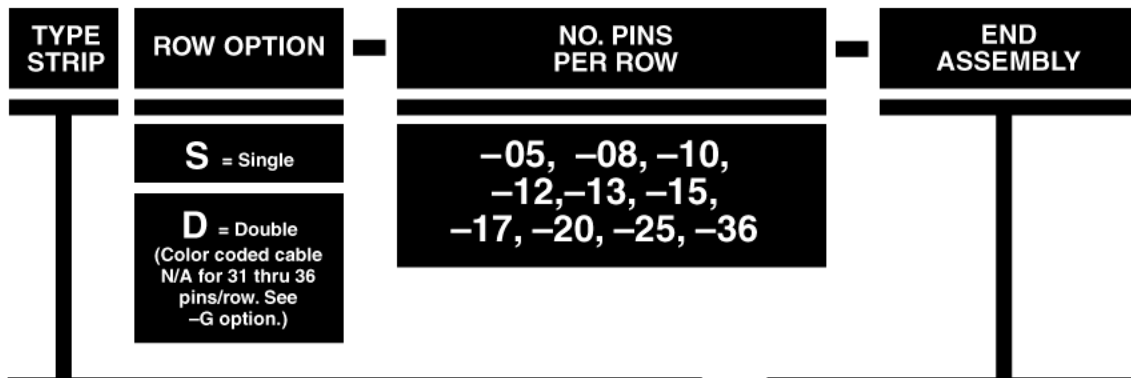
Withstanding Voltage:
1000 VRMS @ 60 Hz

Terminal: Phosphor Bronze
Plating:

Sn over 50μ" (1,27μm) Ni

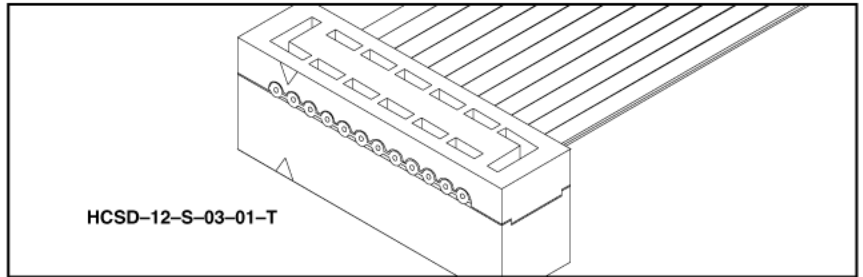
Current Rating: 1A
Wire: 28 AWG 7/36 stranded Tinned Copper

Note: IDC assemblies are non-standard, non-returnable.



Due to technical progress, all designs, specifications and components are subject to change without notice.

WWW.SAMTEC.COM



.100" IDC CABLE STRIPS

HCMD, HCMS
HCSD, HCSS

ASSEMBLED LENGTH

- "XX"
= Assembled Length

Assembled Length in INCHES ($\pm 1/8"$)
2 inches minimum

PLATING OPTION

-S = 10 μ " (0,25 μ m)
Gold on contact area or tail,
Tin on balance
(Standard on HCSS & HCSD.
Leave blank)

-T = Tin
(Standard on HCMS & HCMD.
Leave blank)

NOTCH POLARIZATION

-N
= Notch Polarization

Required for HCSS and HCSD.
(Not available on HCMS or HCMD, unless
Transfer, then only the socket is polarized.)

OTHER OPTIONS

-P "XX"
= Position Polarization

Single Double

Specify "XX" as position. For Double the same position will be polarized on both ends. (Not available on HCM, unless Transfer, then only the socket is polarized)

-ST "X"
= Stripped & Tinned

Specify Suffix from table. All dimensions are $\pm 1/16"$ (1,59mm). Not available in 28 positions and higher.

-ST8	3/8" (9,18)
-ST4	1/2" (6,35)
-ST2	3/4" (12,70)
-ST3	5/8" (9,53)

-S "XX"
= Daisy Chain Single

When mating double row connector with two single row connectors, the outer most single will be connected to Conductor #1 and the inside single to Conductor #2.

-R
= Reversed

-G
= Gray Cable

Standard cable is color coded. Specify -G for Gray cable with one red edge.

-B "XX"
= Breakout

Specify "XX" as number of conducts to be broken out.

Breakout starts with Number 1 lead indicated by brown wire or red stripe. Shown on top side.

-D "XX"
= Daisy Chain, Double

-M
= Middle Reversed

Requires -SXX, -WXX or -DXX

-RW
= Reversed Wiring

#1 wire opposite position #1

-W "XX"
= Wiring Reversed Daisy Chain, Single

Same as -S "XX" except outer strip connected to conductor #2 and inside strip connected to conductor #1.

-O
= Outside Reversed

Requires -SXX, -WXX or -DXX

Due to technical progress, all designs, specifications and components are subject to change without notice.

WWW.SAMTEC.COM