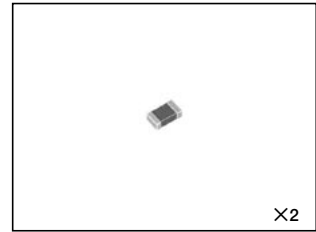


## 2012(0805)Size chip capacitors : MCH21

- Miniature, high capacitance
- Achieved high capacitance by thin and multi layer technology
- Lead-free plating terminal
- No polarity



### Quick Reference

The design and specifications are subject to change without prior notice. Before ordering or using, please check the latest technical specifications. For more detail information regarding temperature characteristic code and packaging style code, please check product destination.

### Range of thermal compensation capacitors

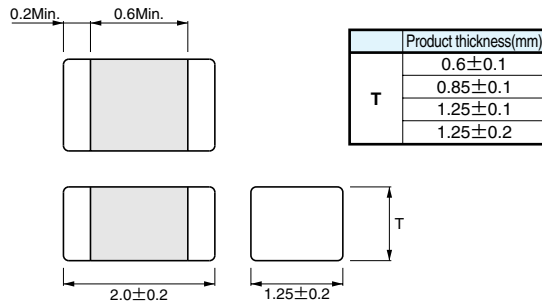
MCH21	Temperature	A,AN(CG) (C0G) (CH) Characteristic			Packing style code
	Rated voltage(V)	50V			
	Product thickness(mm)	0.6±0.10	0.85±0.1	1.25±0.1	
	Capacitance(pF)	2,700~3,300	3,900~5,600	6,800~10,000	
Capacitance tolerance				J(±5%)	K, P
Nominal capacitance series				E12	

### Range of high dielectric constant capacitors

MCH21	Temperature	CN(R) (B) (X7R) Characteristic					CN(X5R) Characteristic			Packing style code		
	Rated voltage(V)	50V					25V	16V	10V		10V	6.3V
	Product thickness(mm)	0.6±0.1	0.85±0.15	1.25±0.2			1.25±0.2					
	Capacitance(pF)	1,000~47,000	68,000	10,000	150,000~220,000	330,000~1,000,000	1,500,000~2,200,000	3,300,000~4,700,000	10,000,000			
Capacitance tolerance				K(±10%)					M(±20%)		K, P	
Nominal capacitance series				E6								

MCH21	Temperature	FN(F) (Y5V) Characteristic			Packing style code	
	Rated voltage(V)	50V		16V		10V
	Product thickness(mm)	0.6±0.1		1.25±0.2		
	Capacitance(pF)	10,000~100,000		1,000,000~4,700,000		10,000,000
Capacitance tolerance				Z(+80%, -20%)		K, P
Nominal capacitance series				E3		

### External dimensions (Unit : mm)



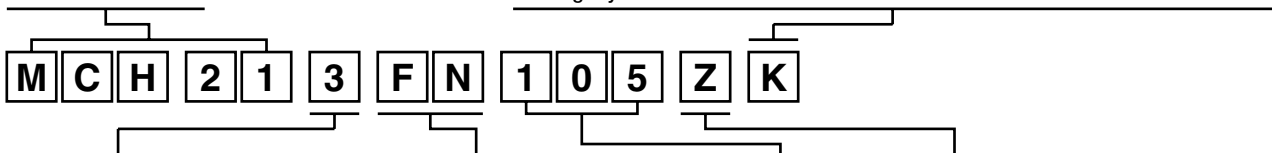
Code	Product thickness	Packing specification	Reel	Basic ordering unit(pcs.)
K	0.6, 0.85mm	Paper tape(width 8mm, pitch 4mm)	φ 180mm (7in.)	4,000
P	1.25mm	Pulastic tape(width 8mm, pitch 4mm)	φ 180mm (7in.)	2,000

Reel(φ 180mm):compatible with EIAJ ET-7200A

### Production designation

Part No.

Packing Style



Rated voltage	
Code	Voltage
8	6.3V
4	10V
3	16V
2	25V
5	50V

Capacitance-temperature characteristics				Nominal capacitance	Capacitance tolerance	
Code	EIA code	Operating temp. range(°C)	Temp. coefficient or percent change		Code	Tolerance
A,AN	CG (C0G)	-55~+125	0±30ppm/°C	3-digit designation accordijg to IEC	J	±5% (11pF or more)
	CH	-55~+125	0±60ppm/°C		K	±10%
CN	R	-55~+125	±15%		M	±20%
	B	-25~+ 85	±10%		Z	+80%, -20%
	(X5R)	(-55~+ 85)	(±15%)			
(X7R)	(-55~+125)	(±15%)				
FN	F (Y5V)	-25~+ 85	+30%, -80%			
		(-30~+ 85)	(+22%, -82%)			



## ■ Product No. list

### ● Thermal compensation capacitors

Capacitance (pF)	Temperature		A·AN (CG) (COG) (CH) Characteristic
	Rated voltage(V)		25V
	Tolerance	Product thickness(mm)	Product No.
2,700	J (±5%)	0.6±0.1	MCH215A (AN) 272JK
3,300			MCH215A (AN) 332JK
3,900			MCH215A (AN) 392JK
4,700		0.85±0.1	MCH215A (AN) 472JK
5,600			MCH215A (AN) 562JK
6,800			MCH215A (AN) 682JP
8,200		1.25±0.1	MCH215A (AN) 822JP
10,000			MCH215A (AN) 103JP

### ● High dielectric constant capacitors

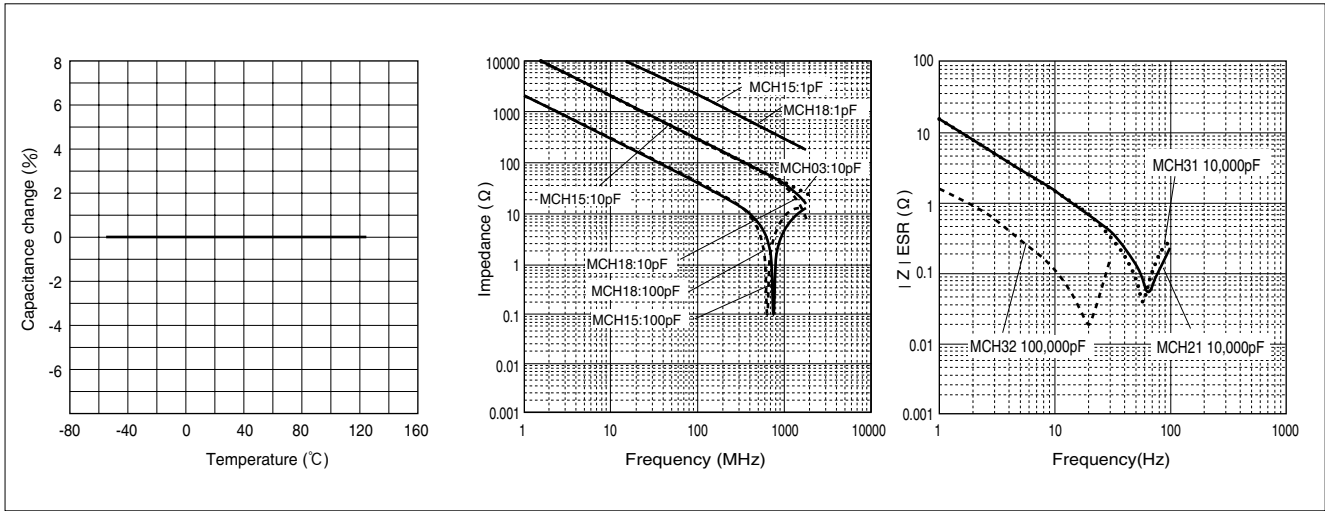
Capacitance (pF)	Temperature		CN (R) (B) (X7R) Characteristic				CN (X5R) Characteristic		
	Rated voltage(V)		50V	25V	16V	10V	10V	6.3V	
	Tolerance	Product thickness(mm)	Product No.	Product No.	Product No.	Product No.	Product No.	Product No.	
1,000	K (±10%)	0.6±0.1	MCH215CN102KK						
1,500			MCH215CN152KK						
2,200			MCH215CN222KK						
3,300			MCH215CN332KK						
4,700			MCH215CN472KK						
6,800			MCH215CN682KK						
10,000			MCH215CN103KK						
15,000			MCH215CN153KK						
22,000			MCH215CN223KK						
33,000			MCH215CN333KK						
47,000			MCH215CN473KK						
68,000			0.85±0.15	MCH215CN683KK					
100,000			1.25±0.2	MCH215CN104KP					
150,000					MCH212CN154KP				
220,000				MCH212CN224KP					
330,000						MCH213CN334KP			
470,000						MCH213CN474KP			
680,000						MCH213CN684KP			
1,000,000						MCH213CN105KP			
1,500,000							MCH214CN155KP		
2,200,000							MCH214CN225KP		
3,300,000								MCH214CN335KP	
4,700,000								MCH214CN475KP	
10,000,000		M (±20%)							MCH218CN106MP

Capacitance (pF)	Temperature		FN (F) (Y5V) Characteristic		
	Rated voltage(V)		50V	16V	10V
	Tolerance	Product thickness(mm)	Product No.	Product No.	Product No.
10,000	Z (+80%, -20%)	0.6±0.1	MCH215FN103ZK		
22,000			MCH215FN223ZK		
47,000			MCH215FN473ZK		
100,000			MCH215FN104ZK		
1,000,000		1.25±0.2		MCH213FN105ZP	
2,200,000				MCH213FN225ZP	
4,700,000				MCH213FN475ZP	
10,000,000					MCH214FN106ZP

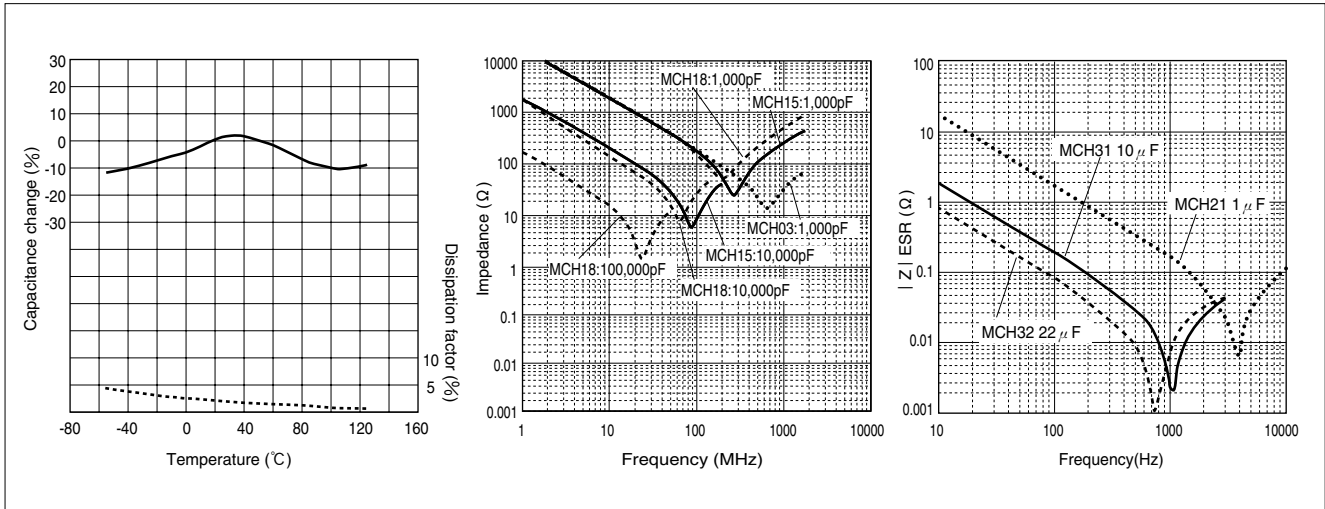
MCH03 Series, MCH15 Series, MCH18 Series, MCH21 Series, MCH31 Series,

■ Characteristics

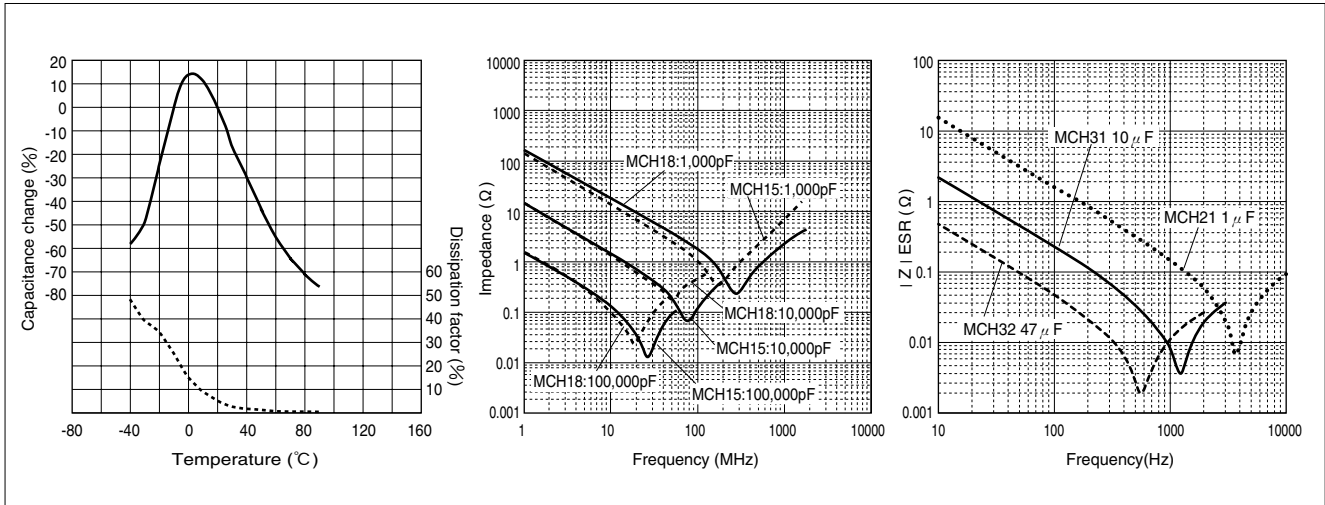
● A(CG) (C0G) (CH) Characteristics



● CN(R) (B) (X5R) (X7R) Characteristics



● FN(F) (Y5V) Characteristics

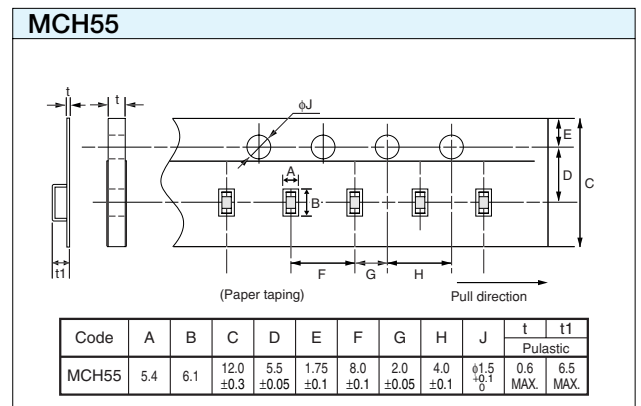
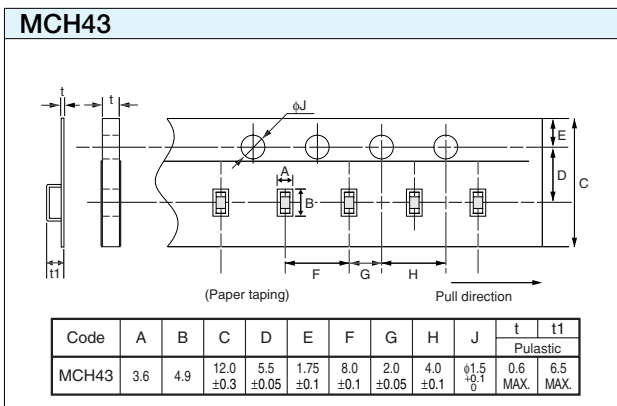
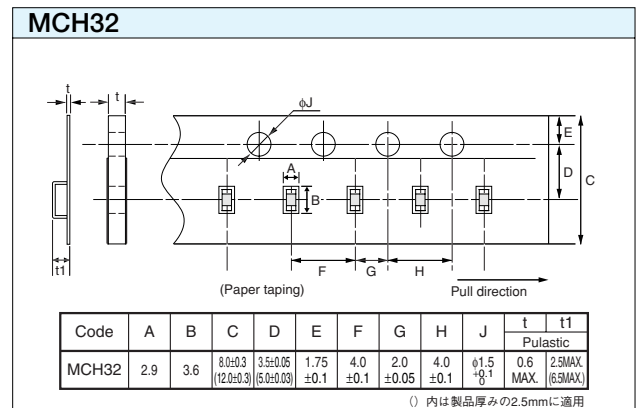
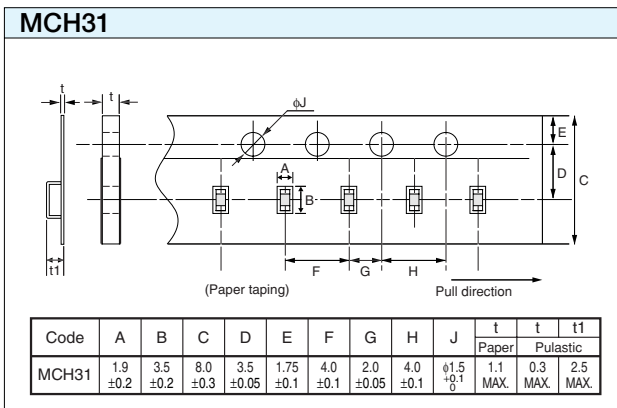
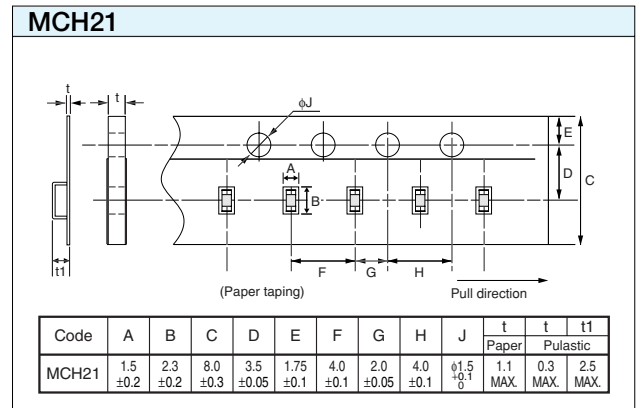
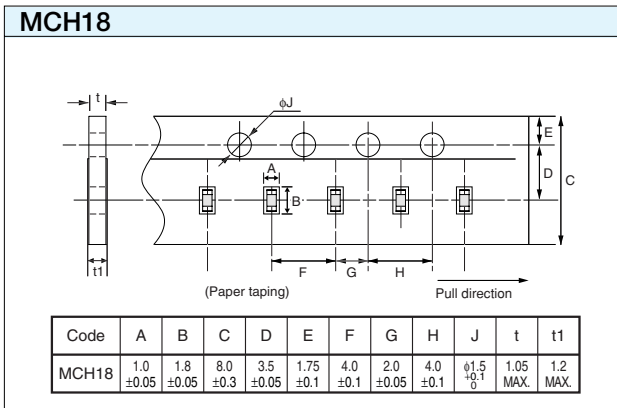
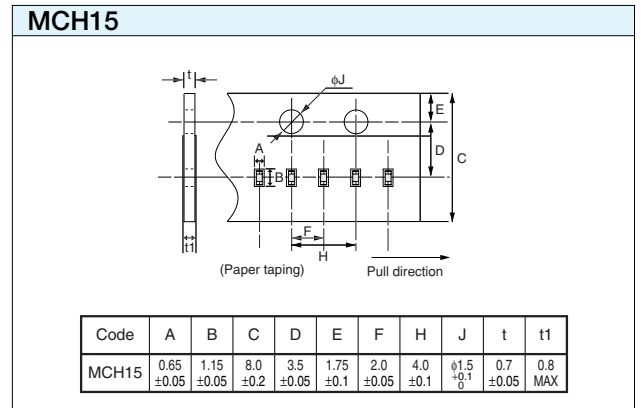
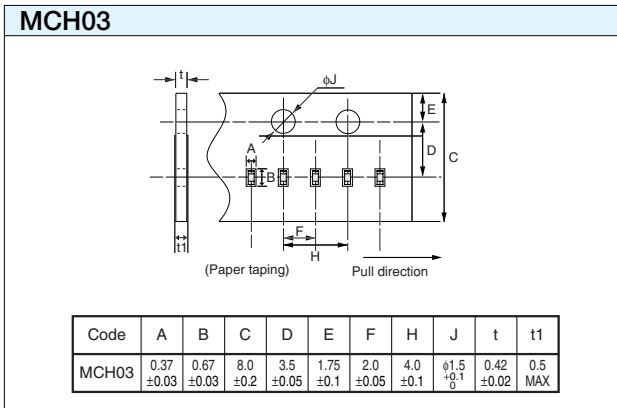




# MCH32 Series, MCH43 Series, MCH55 Series

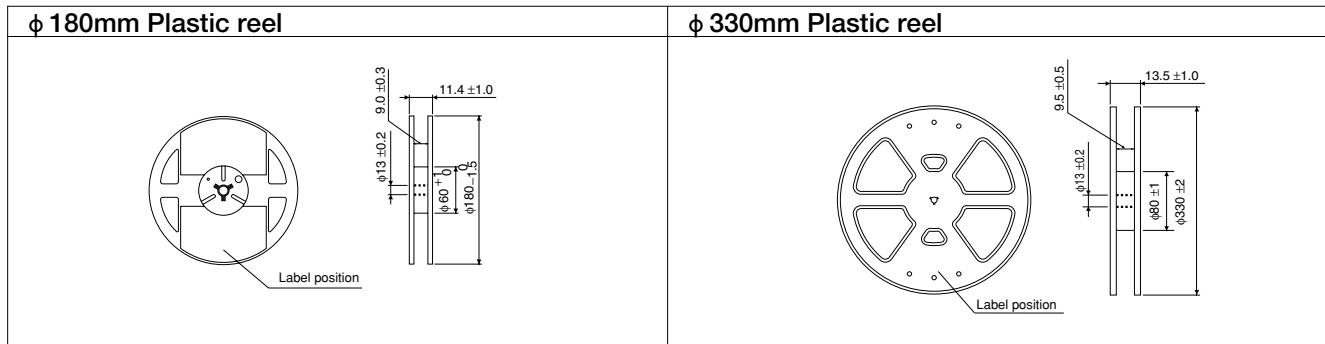
## ■ Packing specification

### ● Carrier tape dimensions (Unit:mm)

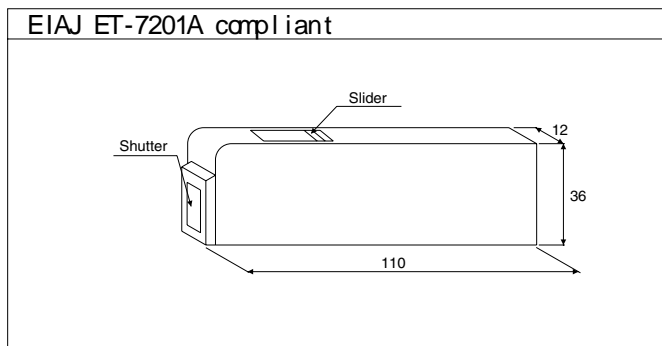


■ Packing specification

● Reel dimensions (Unit:mm)



● Bulk case dimensions (Unit:mm)



● For fundamental considerations on capacitors, refer to Electric Industries Association of Japan, technical report, "EIAJ RCR-2333, Guideline of notabilia for fixed multilayer ceramic capacitors for use in electronic equipment".

- The contents described herein are correct as of Sep, 2003.
- ROHM assumes no responsibility for the use of any circuits described herein, conveys no license under any patent or other right, and makes no representations that the circuits are free from patent infringement. Specifications subject to change without notice for the purpose of improvement.

The products listed in this catalog are designed to be used with ordinary electronic equipment or devices (such as audio visual equipment, office-automation equipment, communications devices, electrical appliances and electronic toys). Should you intend to use these products with equipment or devices which require an extremely high level of reliability and the malfunction of which would directly endanger human life (such as medical instruments, transportation equipment, aerospace machinery, nuclear-reactor controllers, fuel controllers and other safety devices), please be sure to consult with our sales representative in advance.

Excellence in Electronics



**ROHM CO., LTD.**

21, Saiin Mizosaki-cho, Ukyo-ku, Kyoto  
615-8585, Japan  
TEL: (075)311-2121 FAX: (075)315-0172  
URL: <http://www.rohm.com>

Contact us for further information about the products.

- Atlanta U.S.A.** / ROHM ELECTRONICS EASTERN SALES DIVISION  
(DIVISION OF ROHM ELE.U.S.A.,LLC)  
TEL: +1(770)754-5972 FAX: +1(770)754-0691
- Dallas U.S.A.** / ROHM ELECTRONICS CENTRAL SALES DIVISION  
(DIVISION OF ROHM ELE.U.S.A.,LLC)  
TEL: +1(972)312-8818 FAX: +1(972)312-0330
- San Diego U.S.A.** / ROHM ELECTRONICS WESTERN SALES DIVISION  
(DIVISION OF ROHM ELE.U.S.A.,LLC)  
TEL: +1(858)625-3630 FAX: +1(858)625-3670
- Germany** / ROHM ELECTRONICS GERMANY SALES DIVISION  
(DIVISION OF ROHM ELECTRONICS GMBH)  
TEL: +49(2154)9210 FAX: +49(2154)921400
- United Kingdom** / ROHM ELECTRONICS UK SALES DIVISION  
(DIVISION OF ROHM ELECTRONICS GMBH)  
TEL: +44(1)908-282-8669 FAX: +44(1)908-282-528
- France** / ROHM ELECTRONICS FRANCE SALES DIVISION  
(DIVISION OF ROHM ELECTRONICS GMBH)  
TEL: +33(1)41 23 14 00 FAX: +33(1)41 23 14 30
- Hong Kong China** / ROHM ELECTRONICS (H.K.) CO., LTD.  
TEL: +852(2)7406262 FAX: +852(2)3758971
- Shanghai China** / ROHM ELECTRONICS (SHANGHAI) CO., LTD.  
TEL: +86(21)6279-2727 FAX: +86(21)6247-2066

- Dalian China** / ROHM ELECTRONICS TRADING (DALIAN) CO., LTD.  
TEL: +86(41)1230-8549 FAX: +86(41)1230-8537
- Beijing China** / BEIJING REPRESENTATIVE OFFICE  
TEL: +86(10)8451-2426 FAX: +86(10)6460-9518
- Taiwan** / ROHM ELECTRONICS TAIWAN CO., LTD.  
TEL: +886(2)2500-6956 FAX: +886(2)2503-2869
- Korea** / ROHM ELECTRONICS KOREA CORPORATION  
TEL: +82(2)8182-700 FAX: +82(2)8182-715
- Singapore** / ROHM ELECTRONICS ASIA PTE. LTD. (RES/REI)  
TEL: +65-332-2322 FAX: +65-332-5662
- Malaysia** / ROHM ELECTRONICS (MALAYSIA) SDN. BHD.  
TEL: +60(3)7958-8355 FAX: +60(3)7958-8377
- Philippines** / ROHM ELECTRONICS (PHILIPPINES) SALES CORPORATION  
TEL: +63(2)807-8872 FAX: +63(2)809-1422
- Thailand** / ROHM ELECTRONICS (THAILAND) CO., LTD.  
TEL: +66(2)254-4890 FAX: +66(2)256-6334