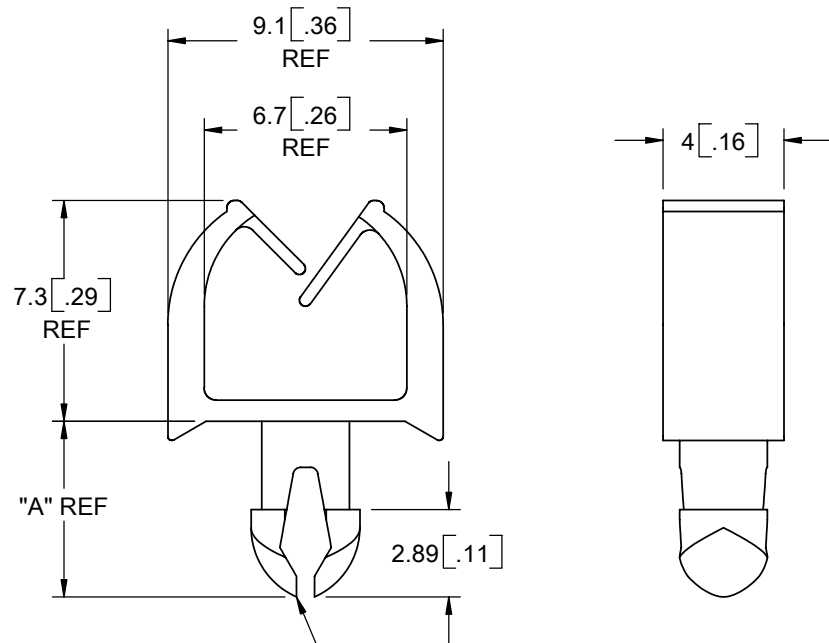


NYLON 6/6 UL 94 V-2 (RMS-01). COLOR: NATURAL. PART NO.	NYLON 6/6 UL 94 V-0 (RMS-19). COLOR: NATURAL. PART NO.	DIM. "A"	PANEL THICKNESS RANGE
MWSET2-1-01	MWSET2-1-19	4.29 [.169]	1-1.2 [.039-.047]
MWSET2-2-01	MWSET2-2-19	4.79 [.189]	1.2-1.6 [.047-.063]
MWSET2-3-01	MWSET2-3-19	5.05 [.199]	1.4-1.8 [.055-.071]
MWSET2-4-01	MWSET2-4-19	5.81 [.229]	2.2-2.6 [.087-.102]



TO SNAP-LOCK IN A 3 ± 0.05 [.118 ± .002] HOLE DIA.,
IN A PANEL THICKNESS INDICATED

NOTES:
1. ALTERNATE UNITS FOR REFERENCE ONLY

D			TITLE: MICRO WIRE SADDLE, TEARDROP				DWG IN IN [MM]		FINAL	
SEE ECN #1192 FOR CHANGES			FILE #: MWSET2-X	DWN: SK	APP: RT					
SEE ENGINEERING FOR REV A -C			SHEET: 1 OF 1	SHEET SIZE: A	DT: 07/11/06	CHKD: DZ	PART #		PRINT TYPE	
DESCRIPTION			RE: RICHCO, INC.		RICHCO, INC. ENG@RICHCO-INC.COM (773) 539-4060		SEE TABLE		CA	
REV.	ENGR.	DATE	GENERAL TOLERANCE UNLESS NOTED ±0.25 ANG. ±1°							