



RL-1256

RADIAL LEADED POWER LINE CHOKES



DESCRIPTION

- Power Line Chokes

ENVIRONMENTAL DATA

- Storage temperature range: -55°C to +130°C
- Operating temperature range: -40°C to +130°C

PACKAGING INFORMATION

- Packaging information: pg. 493

FEATURES & APPLICATIONS

- Available in 367 standard values covering a wide range of inductance and current
- High saturation flux density material is ideal for use in switching regulated power supply applications
- Ideal wherever high current choke values in a small physical size are needed
- Typical applications include: power amplifiers, power supplies, SCR and TRIAC controls, speaker crossover networks and filters

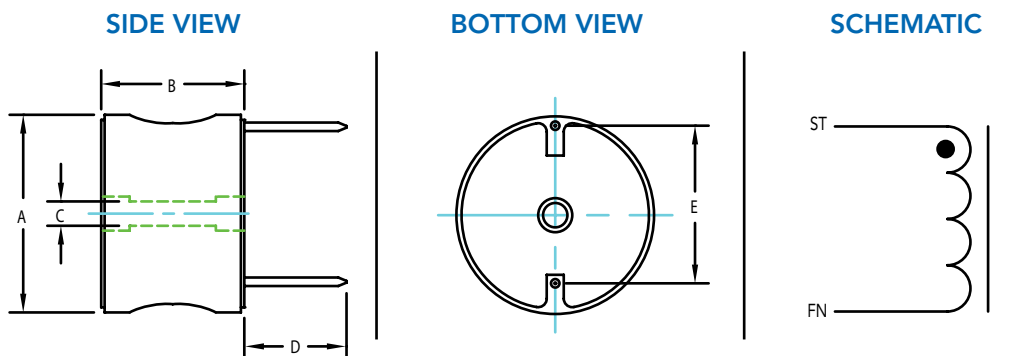
Verify operation with sample in actual circuit. Order samples at www.rencousa.com.

MECHANICAL DIMENSIONS

U.S. Standard (mm)

PART NUMBER	A (MAX.)	B (MAX.)	C (REF.)	D (MIN.)	PART NUMBER	PART WEIGHT
RL-1256-1	0.66 (16.76)	0.85 (21.59)	Clearance Hole For 4/40 Screw	0.50 (12.70)	RL-1256-1	13.0g (0.46oz)
RL-1256-2	0.83 (21.08)	0.85 (21.59)		0.50 (12.70)	RL-1256-2	22.0g (0.78oz)
RL-1256-3	1.10 (27.94)	0.85 (21.59)		0.50 (12.70)	RL-1256-3	38.0g (1.34oz)
RL-1256-4	1.60 (40.64)	1.10 (27.94)	Clearance Hole For 8/32 Screw With Washer	0.50 (12.70)	RL-1256-4	118.0g (4.16oz)
RL-1256-5	1.60 (40.64)	1.50 (38.10)		0.50 (12.70)	RL-1256-5	157.0g (5.54oz)
RL-1256-6	2.00 (50.80)	1.50 (38.10)		0.50 (12.70)	RL-1256-6	220.0g (7.77oz)
RL-1256-7	2.40 (60.96)	1.50 (38.10)		0.50 (12.70)	RL-1256-7	334.0g (12.13oz)
RL-1256-8	2.40 (60.96)	2.60 (66.04)		0.50 (12.70)	RL-1256-8	583.0g (20.57oz)

SEE SPECIFICATION TABLES FOR "E" DIMENSIONS



RENCO ELECTRONICS INC.

595 International Place, Rockledge, FL 32955-4200 USA • www.rencousa.com • ISO 9001 Certified
Toll Free Engineering Hot Line: 800.645.5828 • P: 321.637.1000 • F: 321.637.1600



RL-1256-1

RL-1256-1 Renco Part No.	Inductance (μ H)	DCR Max. (Ohms)	Isat (A)	Irms (A)	Dimension "E" Approx. Inches (mm)	Pin Dimension Approx. Inches (mm)
RL-1256-1-1.0	1.00	0.003	87.0	9.0	0.550 (13.97)	0.054 (1.37)
RL-1256-1-1.2	1.20	0.003	68.0	9.0	0.550 (13.97)	0.054 (1.37)
RL-1256-1-1.5	1.50	0.004	56.0	9.0	0.550 (13.97)	0.054 (1.37)
RL-1256-1-1.8	1.80	0.004	56.0	9.0	0.550 (13.97)	0.054 (1.37)
RL-1256-1-2.2	2.20	0.005	47.0	9.0	0.550 (13.97)	0.054 (1.37)
RL-1256-1-2.7	2.70	0.005	47.0	9.0	0.550 (13.97)	0.054 (1.37)
RL-1256-1-3.3	3.30	0.005	40.0	9.0	0.550 (13.97)	0.054 (1.37)
RL-1256-1-3.9	3.90	0.006	36.0	9.0	0.550 (13.97)	0.054 (1.37)
RL-1256-1-4.7	4.70	0.007	32.0	9.0	0.550 (13.97)	0.054 (1.37)
RL-1256-1-5.6	5.60	0.007	29.0	9.0	0.550 (13.97)	0.054 (1.37)
RL-1256-1-6.8	6.80	0.008	26.0	9.0	0.550 (13.97)	0.054 (1.37)
RL-1256-1-8.2	8.20	0.009	24.5	9.0	0.550 (13.97)	0.054 (1.37)
RL-1256-1-10	10.0	0.010	21.2	9.0	0.550 (13.97)	0.054 (1.37)
RL-1256-1-12	12.0	0.011	19.0	9.0	0.550 (13.97)	0.054 (1.37)
RL-1256-1-15	15.0	0.015	17.5	7.2	0.500 (12.70)	0.048 (1.22)
RL-1256-1-18	18.0	0.016	16.5	7.2	0.500 (12.70)	0.048 (1.22)
RL-1256-1-22	22.0	0.025	15.8	5.5	0.500 (12.70)	0.043 (1.09)
RL-1256-1-27	27.0	0.030	14.4	4.5	0.500 (12.70)	0.039 (0.99)
RL-1256-1-33	33.0	0.040	13.2	4.0	0.406 (10.31)	0.035 (0.89)
RL-1256-1-39	39.0	0.046	11.8	4.0	0.469 (11.91)	0.035 (0.89)
RL-1256-1-47	47.0	0.062	11.0	2.8	0.469 (11.91)	0.031 (0.78)
RL-1256-1-56	56.0	0.069	10.0	2.8	0.485 (12.32)	0.031 (0.78)
RL-1256-1-68	68.0	0.077	8.9	2.8	0.500 (12.70)	0.031 (0.78)
RL-1256-1-82	82.0	0.083	8.2	2.8	0.500 (12.70)	0.031 (0.78)
RL-1256-1-100	100.0	0.095	7.5	2.8	0.500 (12.70)	0.031 (0.78)
RL-1256-1-120	120.0	0.127	5.8	2.0	0.480 (12.19)	0.028 (0.71)
RL-1256-1-150	150.0	0.181	5.6	1.6	0.480 (12.19)	0.025 (0.64)
RL-1256-1-180	180.0	0.217	5.1	1.6	0.480 (12.19)	0.025 (0.64)
RL-1256-1-220	220.0	0.240	4.3	1.6	0.480 (12.19)	0.025 (0.64)
RL-1256-1-270	270.0	0.300	4.1	1.6	0.480 (12.19)	0.022 (0.56)
RL-1256-1-330	330.0	0.336	3.8	1.3	0.480 (12.19)	0.022 (0.56)
RL-1256-1-390	390.0	0.460	3.3	1.0	0.480 (12.19)	0.022 (0.56)
RL-1256-1-470	470.0	0.636	3.2	0.8	0.450 (11.43)	0.020 (0.51)
RL-1256-1-560	560.0	0.696	2.9	0.8	0.450 (11.43)	0.018 (0.46)

NOTES:

1. INDUCTANCE \pm 10% TESTED AT 10 kHz , 0.1 Vrms, VALUES BELOW 10 μ H ARE \pm 20%
2. 500 VOLTS DC HIPOT FOR 1 MINUTE (WINDING TO I.D. OF CORE)
3. ELECTRICAL SPECIFICATIONS MEASURED AT 25°C
4. Isat - DC CURRENT THAT WILL CAUSE INDUCTANCE TO DROP BY 5%
5. Irms - CURRENT THAT CAUSES THE TEMPERATURE TO RISE APPROX. 40°C ABOVE AMBIENT OF 25°C
6. LEADS FOR PC MOUNTING TINNED TO WITHIN 1/16" OF BODY
7. PART FINISHED WITH 135°C POLYOLEFIN SLEEVING THAT MEETS UL-224 VW-1
8. ENCAPSULATED TO MIL-PRF-27 AVAILABLE, SEE RENCO RL-1324 SERIES
9. CENTER HOLE FOR MECHANICAL MOUNTING
10. SPACER AVAILABLE AT ADDITIONAL COST TO FACILITATE PC BOARD WASHING
11. NON-LISTED VALUES AVAILABLE ON REQUEST



RENCO ELECTRONICS INC.

595 International Place, Rockledge, FL 32955-4200 USA • www.rencousa.com • ISO 9001 Certified
Toll Free Engineering Hot Line: 800.645.5828 • P: 321.637.1000 • F: 321.637.1600



RL-1256-2

RL-1256-2 Renco Part No.	Inductance (μ H)	DCR Max. (Ohms)	Isat (A)	Irms (A)	Dimension "E" Approx. Inches (mm)	Pin Dimension Approx. Inches (mm)
RL-1256-2-1.0	1.00	0.003	108.0	11.4	0.620 (15.75)	0.060 (1.52)
RL-1256-2-1.2	1.20	0.003	108.0	11.4	0.620 (15.75)	0.060 (1.52)
RL-1256-2-1.5	1.50	0.003	83.0	11.4	0.620 (15.75)	0.060 (1.52)
RL-1256-2-1.8	1.80	0.003	68.0	11.4	0.620 (15.75)	0.060 (1.52)
RL-1256-2-2.2	2.20	0.004	68.0	11.4	0.620 (15.75)	0.060 (1.52)
RL-1256-2-2.7	2.70	0.005	58.0	11.4	0.620 (15.75)	0.060 (1.52)
RL-1256-2-3.3	3.30	0.005	58.0	11.4	0.620 (15.75)	0.060 (1.52)
RL-1256-2-3.9	3.90	0.005	50.0	11.4	0.620 (15.75)	0.060 (1.52)
RL-1256-2-4.7	4.70	0.005	50.0	11.4	0.620 (15.75)	0.060 (1.52)
RL-1256-2-5.6	5.60	0.006	44.0	11.4	0.620 (15.75)	0.060 (1.52)
RL-1256-2-6.8	6.80	0.007	39.0	11.4	0.620 (15.75)	0.060 (1.52)
RL-1256-2-8.2	8.20	0.007	36.0	11.4	0.620 (15.75)	0.060 (1.52)
RL-1256-2-10	10.0	0.009	30.0	11.4	0.620 (15.75)	0.060 (1.52)
RL-1256-2-12	12.0	0.009	27.0	11.4	0.620 (15.75)	0.060 (1.52)
RL-1256-2-15	15.0	0.013	25.0	9.0	0.625 (15.88)	0.054 (1.37)
RL-1256-2-18	18.0	0.018	22.0	7.2	0.630 (16.00)	0.048 (1.22)
RL-1256-2-22	22.0	0.019	21.0	7.2	0.630 (16.00)	0.048 (1.22)
RL-1256-2-27	27.0	0.026	20.5	5.5	0.546 (13.87)	0.043 (1.09)
RL-1256-2-33	33.0	0.029	18.6	5.5	0.546 (13.87)	0.043 (1.09)
RL-1256-2-39	39.0	0.030	17.0	5.5	0.594 (15.09)	0.043 (1.09)
RL-1256-2-47	47.0	0.035	15.1	5.5	0.625 (15.88)	0.041 (1.04)
RL-1256-2-56	56.0	0.039	13.6	5.5	0.625 (15.88)	0.041 (1.04)
RL-1256-2-68	68.0	0.053	12.7	4.8	0.656 (16.66)	0.039 (0.99)
RL-1256-2-82	82.0	0.060	11.3	4.8	0.656 (16.66)	0.039 (0.99)
RL-1256-2-100	100.0	0.080	10.4	4.0	0.593 (15.06)	0.033 (0.84)
RL-1256-2-120	120.0	0.090	9.4	4.0	0.593 (15.06)	0.033 (0.84)
RL-1256-2-150	150.0	0.098	8.6	4.0	0.593 (15.06)	0.033 (0.84)
RL-1256-2-180	180.0	0.110	7.8	4.0	0.671 (17.04)	0.033 (0.84)
RL-1256-2-220	220.0	0.150	7.0	2.8	0.593 (15.06)	0.031 (0.79)
RL-1256-2-270	270.0	0.213	6.3	2.0	0.562 (14.27)	0.030 (0.76)
RL-1256-2-330	330.0	0.305	5.2	1.6	0.590 (14.99)	0.025 (0.66)
RL-1256-2-390	390.0	0.320	4.9	1.6	0.590 (14.99)	0.025 (0.66)
RL-1256-2-470	470.0	0.355	4.5	1.6	0.590 (14.99)	0.025 (0.66)
RL-1256-2-560	560.0	0.388	4.1	1.6	0.590 (14.99)	0.025 (0.66)

RL-1256-2 TABLE CONTINUES ON FOLLOWING PAGE

NOTES:

- INDUCTANCE \pm 10% TESTED AT 10 kHz , 0.1 Vrms, VALUES BELOW 10 μ H ARE \pm 20%
- 500 VOLTS DC HIPOT FOR 1 MINUTE (WINDING TO I.D. OF CORE)
- ELECTRICAL SPECIFICATIONS MEASURED AT 25°C
- Isat - DC CURRENT THAT WILL CAUSE INDUCTANCE TO DROP BY 5%
- Irms - CURRENT THAT CAUSES THE TEMPERATURE TO RISE APPROX. 40°C ABOVE AMBIENT OF 25°C
- LEADS FOR PC MOUNTING TINNED TO WITHIN 1/16" OF BODY
- PART FINISHED WITH 135°C POLYOLEFIN SLEEVING THAT MEETS UL-224 VW-1
- ENCAPSULATED TO MIL-PRF-27 AVAILABLE, SEE RENCO RL-1324 SERIES
- CENTER HOLE FOR MECHANICAL MOUNTING
- SPACER AVAILABLE AT ADDITIONAL COST TO FACILITATE PC BOARD WASHING
- NON-LISTED VALUES AVAILABLE ON REQUEST



RENCO ELECTRONICS INC.

595 International Place, Rockledge, FL 32955-4200 USA • www.rencousa.com • ISO 9001 Certified
Toll Free Engineering Hot Line: 800.645.5828 • P: 321.637.1000 • F: 321.637.1600



RL-1256-2, RL-1256-3

RL-1256-2 Renco Part No.	Inductance (μ H)	DCR Max. (Ohms)	Isat (A)	Irms (A)	Dimension "E" Approx. Inches (mm)	Pin Dimension Approx. Inches (mm)
RL-1256-2-680	680.0	0.430	3.7	1.6	0.590 (14.99)	0.025 (0.66)
RL-1256-2-820	820.0	0.590	3.4	1.3	0.590 (14.99)	0.022 (0.56)
RL-1256-2-1000	1000.0	0.818	3.1	1.0	0.590 (14.99)	0.020 (0.50)
RL-1256-2-1200	1200.0	1.14	2.7	0.8	0.590 (14.99)	0.020 (0.50)
RL-1256-2-1500	1500.0	1.26	2.4	0.8	0.590 (14.99)	0.020 (0.50)
RL-1256-2-1800	1800.0	1.39	2.2	0.8	0.590 (14.99)	0.020 (0.50)
RL-1256-2-2200	2200.0	1.54	2.0	0.8	0.590 (14.99)	0.020 (0.50)

RL-1256-3 Renco Part No.	Inductance (μ H)	DCR Max. (Ohms)	Isat (A)	Irms (A)	Dimension "E" Approx. Inches (mm)	Pin Dimension Approx. Inches (mm)
RL-1256-3-1.0	1.00	0.003	116.0	21.0	0.800 (20.32)	0.084 (2.13)
RL-1256-3-1.2	1.20	0.003	116.0	21.0	0.800 (20.32)	0.084 (2.13)
RL-1256-3-1.5	1.50	0.003	116.0	21.0	0.800 (20.32)	0.084 (2.13)
RL-1256-3-1.8	1.80	0.003	90.0	21.0	0.800 (20.32)	0.084 (2.13)
RL-1256-3-2.2	2.20	0.003	90.0	21.0	0.800 (20.32)	0.084 (2.13)
RL-1256-3-2.7	2.70	0.003	74.0	21.0	0.800 (20.32)	0.084 (2.13)
RL-1256-3-3.3	3.30	0.003	74.0	21.0	0.800 (20.32)	0.084 (2.13)
RL-1256-3-3.9	3.90	0.003	62.0	21.0	0.800 (20.32)	0.084 (2.13)
RL-1256-3-4.7	4.70	0.003	54.0	21.0	0.800 (20.32)	0.084 (2.13)
RL-1256-3-5.6	5.60	0.003	54.0	21.0	0.800 (20.32)	0.084 (2.13)
RL-1256-3-6.8	6.80	0.004	47.0	21.0	0.800 (20.32)	0.084 (2.13)
RL-1256-3-8.2	8.20	0.004	42.0	21.0	0.800 (20.32)	0.084 (2.13)
RL-1256-3-10	10.0	0.006	38.0	17.0	0.700 (17.78)	0.075 (1.90)
RL-1256-3-12	12.0	0.008	35.0	13.5	0.690 (17.53)	0.068 (1.73)
RL-1256-3-15	15.0	0.009	32.0	13.5	0.690 (17.53)	0.068 (1.73)
RL-1256-3-18	18.0	0.010	29.0	13.5	0.690 (17.53)	0.068 (1.73)
RL-1256-3-22	22.0	0.011	25.0	13.5	0.790 (20.07)	0.068 (1.73)
RL-1256-3-27	27.0	0.012	23.0	13.5	0.790 (20.07)	0.068 (1.73)
RL-1256-3-33	33.0	0.017	20.0	13.5	0.790 (20.07)	0.060 (1.52)
RL-1256-3-39	39.0	0.022	19.1	11.4	0.790 (20.07)	0.054 (1.37)
RL-1256-3-47	47.0	0.024	19.0	9.0	0.750 (19.05)	0.054 (1.37)

RL-1256-3 TABLE CONTINUES ON FOLLOWING PAGE

NOTES:

- INDUCTANCE \pm 10% TESTED AT 10 kHz , 0.1 Vrms, VALUES BELOW 10 μ H ARE \pm 20%
- 500 VOLTS DC HIPOT FOR 1 MINUTE (WINDING TO I.D. OF CORE)
- ELECTRICAL SPECIFICATIONS MEASURED AT 25°C
- Isat - DC CURRENT THAT WILL CAUSE INDUCTANCE TO DROP BY 5%
- Irms - CURRENT THAT CAUSES THE TEMPERATURE TO RISE APPROX. 40°C ABOVE AMBIENT OF 25°C
- LEADS FOR PC MOUNTING TINNED TO WITHIN 1/16" OF BODY
- PART FINISHED WITH 135°C POLYOLEFIN SLEEVING THAT MEETS UL-224 VW-1
- ENCAPSULATED TO MIL-PRF-27 AVAILABLE, SEE RENCO RL-1324 SERIES
- CENTER HOLE FOR MECHANICAL MOUNTING
- SPACER AVAILABLE AT ADDITIONAL COST TO FACILITATE PC BOARD WASHING
- NON-LISTED VALUES AVAILABLE ON REQUEST



RENCO ELECTRONICS INC.

595 International Place, Rockledge, FL 32955-4200 USA • www.rencousa.com • ISO 9001 Certified
Toll Free Engineering Hot Line: 800.645.5828 • P: 321.637.1000 • F: 321.637.1600



RL-1256-3, RL-1256-4

RL-1256-3 Renco Part No.	Inductance (μ H)	DCR Max. (Ohms)	Isat (A)	Irms (A)	Dimension "E" Approx. Inches (mm)	Pin Dimension Approx. Inches (mm)
RL-1256-3-56	56.0	0.026	17.5	9.0	0.750 (19.05)	0.054 (1.37)
RL-1256-3-68	68.0	0.029	15.6	9.0	0.750 (19.05)	0.054 (1.37)
RL-1256-3-82	82.0	0.032	14.0	9.0	0.750 (19.05)	0.054 (1.37)
RL-1256-3-100	100.0	0.034	13.2	9.0	0.781 (19.84)	0.054 (1.37)
RL-1256-3-120	120.0	0.046	12.1	7.2	0.750 (19.05)	0.051 (1.30)
RL-1256-3-150	150.0	0.064	10.8	5.5	0.781 (19.84)	0.043 (1.09)
RL-1256-3-180	180.0	0.072	9.7	5.5	0.781 (19.84)	0.043 (1.09)
RL-1256-3-220	220.0	0.080	8.7	5.5	0.781 (19.84)	0.041 (1.04)
RL-1256-3-270	270.0	0.110	7.9	4.5	0.750 (19.05)	0.039 (0.99)
RL-1256-3-330	330.0	0.122	7.1	4.5	0.812 (20.62)	0.039 (0.99)
RL-1256-3-390	390.0	0.169	6.7	4.0	0.750 (19.05)	0.035 (0.89)
RL-1256-3-470	470.0	0.187	6.0	4.0	0.750 (19.05)	0.035 (0.89)
RL-1256-3-560	560.0	0.205	5.5	4.0	0.750 (19.05)	0.035 (0.89)
RL-1256-3-680	680.0	0.256	5.0	2.8	0.718 (18.24)	0.031 (0.79)
RL-1256-3-820	820.0	0.288	4.5	2.8	0.843 (22.17)	0.031 (0.79)
RL-1256-3-1000	1000.0	0.426	4.1	2.0	0.750 (19.05)	0.028 (0.71)
RL-1256-3-1200	1200.0	0.462	3.7	2.0	0.750 (19.05)	0.028 (0.71)
RL-1256-3-1500	1500.0	0.518	3.4	2.0	0.750 (19.05)	0.028 (0.71)
RL-1256-3-1800	1800.0	0.705	2.8	1.6	0.770 (19.56)	0.022 (0.56)
RL-1256-3-2200	2200.0	1.02	2.5	1.3	0.770 (19.56)	0.022 (0.56)
RL-1256-3-2700	2700.0	1.14	2.3	1.3	0.770 (19.56)	0.022 (0.56)
RL-1256-3-3300	3300.0	1.27	2.0	1.3	0.750 (19.05)	0.022 (0.56)
RL-1256-3-3900	3900.0	1.67	1.8	1.0	0.750 (19.05)	0.020 (0.51)
RL-1256-3-4700	4700.0	1.86	1.7	1.0	0.750 (19.05)	0.020 (0.51)

RL-1256-4 Renco Part No.	Inductance (μ H)	DCR Max. (Ohms)	Isat (A)	Irms (A)	Dimension "E" Approx. Inches (mm)	Pin Dimension Approx. Inches (mm)
RL-1256-4-1.8	1.80	0.002	150.0	27.0	1.11 (28.19)	0.094 (2.39)
RL-1256-4-2.2	2.20	0.002	150.0	27.0	1.11 (28.19)	0.094 (2.39)
RL-1256-4-2.7	2.70	0.003	115.0	27.0	1.11 (28.19)	0.094 (2.39)
RL-1256-4-3.3	3.30	0.003	115.0	27.0	1.11 (28.19)	0.094 (2.39)
RL-1256-4-3.9	3.90	0.003	95.0	27.0	1.11 (28.19)	0.094 (2.39)
RL-1256-4-4.7	4.70	0.003	95.0	27.0	1.11 (28.19)	0.094 (2.39)

RL-1256-4 TABLE CONTINUES ON FOLLOWING PAGE

NOTES:

- INDUCTANCE \pm 10% TESTED AT 10 kHz , 0.1 Vrms, VALUES BELOW 10 μ H ARE \pm 20%
- 500 VOLTS DC HIPOT FOR 1 MINUTE (WINDING TO I.D. OF CORE)
- ELECTRICAL SPECIFICATIONS MEASURED AT 25°C
- Isat - DC CURRENT THAT WILL CAUSE INDUCTANCE TO DROP BY 5%
- Irms - CURRENT THAT CAUSES THE TEMPERATURE TO RISE APPROX. 40°C ABOVE AMBIENT OF 25°C
- LEADS FOR PC MOUNTING TINNED TO WITHIN 1/16" OF BODY
- PART FINISHED WITH 135°C POLYOLEFIN SLEEVING THAT MEETS UL-224 VW-1
- ENCAPSULATED TO MIL-PRF-27 AVAILABLE, SEE RENCO RL-1324 SERIES
- CENTER HOLE FOR MECHANICAL MOUNTING
- SPACER AVAILABLE AT ADDITIONAL COST TO FACILITATE PC BOARD WASHING
- NON-LISTED VALUES AVAILABLE ON REQUEST



RENCO ELECTRONICS INC.

595 International Place, Rockledge, FL 32955-4200 USA • www.rencousa.com • ISO 9001 Certified
Toll Free Engineering Hot Line: 800.645.5828 • P: 321.637.1000 • F: 321.637.1600



RL-1256-4

RL-1256-4 Renco Part No.	Inductance (μ H)	DCR Max. (Ohms)	Isat (A)	Irms (A)	Dimension "E" Approx. Inches (mm)	Pin Dimension Approx. Inches (mm)
RL-1256-4-5.6	5.60	0.004	79.0	27.0	1.11 (28.19)	0.094 (2.39)
RL-1256-4-6.8	6.80	0.004	79.0	27.0	1.11 (28.19)	0.094 (2.39)
RL-1256-4-8.2	8.20	0.004	69.0	27.0	1.11 (28.19)	0.094 (2.39)
RL-1256-4-10	10.0	0.005	61.0	27.0	1.11 (28.19)	0.094 (2.39)
RL-1256-4-12	12.0	0.005	55.0	27.0	1.11 (28.19)	0.094 (2.39)
RL-1256-4-15	15.0	0.006	49.0	27.0	1.11 (28.19)	0.094 (2.39)
RL-1256-4-18	18.0	0.008	41.0	27.0	1.11 (28.19)	0.094 (2.39)
RL-1256-4-22	22.0	0.009	38.0	21.0	1.11 (28.19)	0.084 (2.13)
RL-1256-4-27	27.0	0.010	36.0	21.0	1.15 (29.21)	0.084 (2.13)
RL-1256-4-33	33.0	0.011	31.0	21.0	1.15 (29.21)	0.084 (2.13)
RL-1256-4-39	39.0	0.012	28.0	14.4	1.15 (29.21)	0.084 (2.13)
RL-1256-4-47	47.0	0.018	27.0	14.4	1.14 (28.96)	0.068 (1.73)
RL-1256-4-56	56.0	0.019	26.1	14.4	1.14 (28.96)	0.068 (1.73)
RL-1256-4-68	68.0	0.021	24.4	14.4	1.14 (28.96)	0.068 (1.73)
RL-1256-4-82	82.0	0.023	22.4	14.4	1.14 (28.96)	0.068 (1.73)
RL-1256-4-100	100.0	0.025	20.0	14.4	1.14 (28.96)	0.068 (1.73)
RL-1256-4-120	120.0	0.028	18.0	14.4	1.187 (30.15)	0.068 (1.73)
RL-1256-4-150	150.0	0.040	16.4	11.4	1.125 (28.58)	0.060 (1.52)
RL-1256-4-180	180.0	0.045	14.6	11.4	1.125 (28.58)	0.060 (1.52)
RL-1256-4-220	220.0	0.050	13.2	11.4	1.125 (28.58)	0.060 (1.52)
RL-1256-4-270	270.0	0.056	11.8	11.4	1.156 (29.36)	0.060 (1.52)
RL-1256-4-330	330.0	0.074	11.4	11.4	1.125 (28.58)	0.054 (1.37)
RL-1256-4-390	390.0	0.082	10.1	9.0	1.187 (30.15)	0.054 (1.37)
RL-1256-4-470	470.0	0.114	9.2	7.2	1.125 (28.58)	0.048 (1.22)
RL-1256-4-560	560.0	0.125	8.3	7.2	1.125 (28.58)	0.048 (1.22)
RL-1256-4-680	680.0	0.139	7.6	7.2	1.125 (28.58)	0.048 (1.22)
RL-1256-4-820	820.0	0.154	6.8	7.2	1.187 (30.15)	0.048 (1.22)
RL-1256-4-1000	1000.0	0.216	6.2	5.5	1.062 (26.97)	0.043 (1.09)
RL-1256-4-1200	1200.0	0.232	5.7	5.5	1.156 (29.36)	0.043 (1.09)
RL-1256-4-1500	1500.0	0.324	5.1	4.5	1.156 (29.36)	0.039 (0.99)
RL-1256-4-1800	1800.0	0.360	4.6	4.5	1.156 (29.36)	0.039 (0.99)
RL-1256-4-2200	2200.0	0.494	4.2	4.0	1.062 (26.97)	0.033 (0.84)
RL-1256-4-2700	2700.0	0.555	3.8	4.0	1.062 (26.97)	0.033 (0.84)

RL-1256-4 TABLE CONTINUES ON FOLLOWING PAGE

NOTES:

- INDUCTANCE \pm 10% TESTED AT 10 kHz , 0.1 Vrms VALUES BELOW 10 μ H ARE \pm 20%
- 500 VOLTS DC HIPOT FOR 1 MINUTE (WINDING TO I.D. OF CORE)
- ELECTRICAL SPECIFICATIONS MEASURED AT 25°C
- Isat - DC CURRENT THAT WILL CAUSE INDUCTANCE TO DROP BY 5%
- Irms - CURRENT THAT CAUSES THE TEMPERATURE TO RISE APPROX. 40°C ABOVE AMBIENT OF 25°C
- LEADS FOR PC MOUNTING TINNED TO WITHIN 1/16" OF BODY
- PART FINISHED WITH 135°C POLYOLEFIN SLEEVING THAT MEETS UL-224 VW-1
- ENCAPSULATED TO MIL-PRF-27 AVAILABLE, SEE RENCO RL-1324 SERIES
- CENTER HOLE FOR MECHANICAL MOUNTING
- SPACER AVAILABLE AT ADDITIONAL COST TO FACILITATE PC BOARD WASHING
- NON-LISTED VALUES AVAILABLE ON REQUEST



RENCO ELECTRONICS INC.

595 International Place, Rockledge, FL 32955-4200 USA • www.rencousa.com • ISO 9001 Certified
Toll Free Engineering Hot Line: 800.645.5828 • P: 321.637.1000 • F: 321.637.1600



RL-1256-4, RL-1256-5

RL-1256-4 Renco Part No.	Inductance (μ H)	DCR Max. (Ohms)	Isat (A)	Irms (A)	Dimension "E" Approx. Inches (mm)	Pin Dimension Approx. Inches (mm)
RL-1256-4-3300	3300.0	0.773	3.4	2.8	1.062 (26.97)	0.031 (0.79)
RL-1256-4-3900	3900.0	0.845	3.1	2.8	1.125 (28.58)	0.031 (0.79)
RL-1256-4-4700	4700.0	1.14	2.9	2.0	1.11 (28.19)	0.028 (0.71)
RL-1256-4-5600	5600.0	1.60	2.5	2.0	1.11 (28.19)	0.028 (0.71)
RL-1256-4-6800	6800.0	1.76	2.3	1.6	1.11 (28.19)	0.025 (0.64)
RL-1256-4-8200	8200.0	1.95	2.0	1.6	1.16 (29.46)	0.025 (0.64)
RL-1256-4-10000	10000.0	2.76	1.8	1.3	1.16 (29.46)	0.022 (0.56)
RL-1256-4-12000	12000.0	3.04	1.7	1.3	1.16 (29.46)	0.022 (0.56)
RL-1256-4-15000	15000.0	3.39	1.5	1.3	1.16 (29.46)	0.022 (0.56)

RL-1256-5 Renco Part No.	Inductance (μ H)	DCR Max. (Ohms)	Isat (A)	Irms (A)	Dimension "E" Approx. Inches (mm)	Pin Dimension Approx. Inches (mm)
RL-1256-5-1.8	1.8	0.002	155.0	35.0	1.11 (28.19)	0.105 (2.67)
RL-1256-5-2.2	2.2	0.002	155.0	35.0	1.11 (28.19)	0.105 (2.67)
RL-1256-5-2.7	2.7	0.002	125.0	35.0	1.11 (28.19)	0.105 (2.67)
RL-1256-5-3.3	3.3	0.002	125.0	35.0	1.11 (28.19)	0.105 (2.67)
RL-1256-5-3.9	3.9	0.003	102.0	35.0	1.11 (28.19)	0.105 (2.67)
RL-1256-5-4.7	4.7	0.003	87.0	35.0	1.11 (28.19)	0.105 (2.67)
RL-1256-5-5.6	5.6	0.003	87.0	35.0	1.11 (28.19)	0.105 (2.67)
RL-1256-5-6.8	6.8	0.003	87.0	35.0	1.11 (28.19)	0.105 (2.67)
RL-1256-5-8.2	8.2	0.003	76.0	35.0	1.11 (28.19)	0.105 (2.67)
RL-1256-5-10	10.0	0.004	67.0	35.0	1.11 (28.19)	0.105 (2.67)
RL-1256-5-12	12.0	0.004	60.0	35.0	1.16 (29.46)	0.105 (2.67)
RL-1256-5-15	15.0	0.005	49.0	35.0	1.16 (29.46)	0.105 (2.67)
RL-1256-5-18	18.0	0.007	45.0	27.0	1.16 (29.46)	0.094 (2.39)
RL-1256-5-22	22.0	0.007	42.0	27.0	1.16 (29.46)	0.094 (2.39)
RL-1256-5-27	27.0	0.008	35.0	27.0	1.16 (29.46)	0.094 (2.39)
RL-1256-5-33	33.0	0.009	34.0	27.0	1.16 (29.46)	0.094 (2.39)
RL-1256-5-39	39.0	0.010	30.0	27.0	1.16 (29.46)	0.094 (2.39)
RL-1256-5-47	47.0	0.011	28.0	27.0	1.16 (29.46)	0.094 (2.39)
RL-1256-5-56	56.0	0.013	26.0	21.0	1.16 (29.46)	0.084 (2.13)
RL-1256-5-68	68.0	0.015	23.0	21.0	1.25 (31.75)	0.084 (2.13)

RL-1256-5 TABLE CONTINUES ON FOLLOWING PAGE

NOTES:

1. INDUCTANCE \pm 10% TESTED AT 10 kHz , 0.1 Vrms, VALUES BELOW 10 μ H ARE \pm 20%
2. 500 VOLTS DC HIPOT FOR 1 MINUTE (WINDING TO I.D. OF CORE)
3. ELECTRICAL SPECIFICATIONS MEASURED AT 25°C
4. Isat - DC CURRENT THAT WILL CAUSE INDUCTANCE TO DROP BY 5%
5. Irms - CURRENT THAT CAUSES THE TEMPERATURE TO RISE APPROX. 40°C ABOVE AMBIENT OF 25°C
6. LEADS FOR PC MOUNTING TINNED TO WITHIN 1/16" OF BODY
7. PART FINISHED WITH 135°C POLYOLEFIN SLEEVING THAT MEETS UL-224 VW-1
8. ENCAPSULATED TO MIL-PRF-27 AVAILABLE, SEE RENCO RL-1324 SERIES
9. CENTER HOLE FOR MECHANICAL MOUNTING
10. SPACER AVAILABLE AT ADDITIONAL COST TO FACILITATE PC BOARD WASHING
11. NON-LISTED VALUES AVAILABLE ON REQUEST



RENCO ELECTRONICS INC.

595 International Place, Rockledge, FL 32955-4200 USA • www.rencousa.com • ISO 9001 Certified
Toll Free Engineering Hot Line: 800.645.5828 • P: 321.637.1000 • F: 321.637.1600



RL-1256-5

RL-1256-5 Renco Part No.	Inductance (μ H)	DCR Max. (Ohms)	Isat (A)	Irms (A)	Dimension "E" Approx. Inches (mm)	Pin Dimension Approx. Inches (mm)
RL-1256-5-82	82.0	0.017	20.0	21.0	1.28 (32.51)	0.084 (2.13)
RL-1256-5-100	100.0	0.018	19.0	21.0	1.25 (31.75)	0.084 (2.13)
RL-1256-5-120	120.0	0.022	18.0	17.0	1.16 (29.46)	0.075 (1.90)
RL-1256-5-150	150.0	0.025	16.0	17.0	1.16 (29.46)	0.075 (1.90)
RL-1256-5-180	180.0	0.035	14.0	13.5	1.10 (27.94)	0.068 (1.72)
RL-1256-5-220	220.0	0.040	13.0	13.5	1.10 (27.94)	0.068 (1.72)
RL-1256-5-270	270.0	0.044	11.0	13.5	1.10 (27.94)	0.068 (1.72)
RL-1256-5-330	330.0	0.049	10.0	13.5	1.11 (28.19)	0.068 (1.72)
RL-1256-5-390	390.0	0.070	9.7	11.4	1.15 (29.21)	0.060 (1.52)
RL-1256-5-470	470.0	0.078	8.8	11.4	1.07 (27.18)	0.060 (1.52)
RL-1256-5-560	560.0	0.105	8.1	9.0	1.07 (27.18)	0.054 (1.37)
RL-1256-5-680	680.0	0.115	7.4	9.0	1.07 (27.18)	0.054 (1.37)
RL-1256-5-820	820.0	0.127	6.7	9.0	1.12 (28.45)	0.054 (1.37)
RL-1256-5-1000	1000.0	0.176	6.1	7.2	1.12 (28.45)	0.048 (1.22)
RL-1256-5-1200	1200.0	0.195	5.5	7.2	1.12 (28.45)	0.048 (1.22)
RL-1256-5-1500	1500.0	0.274	5.0	5.5	1.12 (28.45)	0.043 (1.09)
RL-1256-5-1800	1800.0	0.302	4.5	5.5	1.13 (28.70)	0.043 (1.09)
RL-1256-5-2200	2200.0	0.338	4.1	5.5	1.16 (29.46)	0.043 (1.09)
RL-1256-5-2700	2700.0	0.459	3.7	4.5	1.02 (25.91)	0.039 (0.99)
RL-1256-5-3300	3300.0	0.642	3.4	4.0	1.02 (25.91)	0.035 (0.89)
RL-1256-5-3900	3900.0	0.699	3.0	4.0	1.14 (28.96)	0.035 (0.89)
RL-1256-5-4700	4700.0	0.775	2.8	4.0	1.14 (28.96)	0.035 (0.89)
RL-1256-5-5600	5600.0	0.843	2.6	4.0	1.14 (28.96)	0.035 (0.89)
RL-1256-5-6800	6800.0	1.15	2.3	2.8	1.06 (26.92)	0.031 (0.79)
RL-1256-5-8200	8200.0	1.26	2.1	2.8	1.16 (29.46)	0.031 (0.79)
RL-1256-5-10000	10000.0	1.74	1.9	2.0	1.13 (28.70)	0.028 (0.71)
RL-1256-5-12000	12000.0	1.92	1.7	2.0	1.13 (28.70)	0.028 (0.71)
RL-1256-5-15000	15000.0	2.17	1.5	2.0	1.13 (28.70)	0.028 (0.71)

NOTES:

1. INDUCTANCE \pm 10% TESTED AT 10 kHz , 0.1 Vrms, VALUES BELOW 10 μ H ARE \pm 20%
2. 500 VOLTS DC HIPOT FOR 1 MINUTE (WINDING TO I.D. OF CORE)
3. ELECTRICAL SPECIFICATIONS MEASURED AT 25°C
4. Isat - DC CURRENT THAT WILL CAUSE INDUCTANCE TO DROP BY 5%
5. Iirms - CURRENT THAT CAUSES THE TEMPERATURE TO RISE APPROX. 40°C ABOVE AMBIENT OF 25°C
6. LEADS FOR PC MOUNTING TINNED TO WITHIN 1/16" OF BODY
7. PART FINISHED WITH 135°C POLYOLEFIN SLEEVING THAT MEETS UL-224 VW-1
8. ENCAPSULATED TO MIL-PRF-27 AVAILABLE, SEE RENCO RL-1324 SERIES
9. CENTER HOLE FOR MECHANICAL MOUNTING
10. SPACER AVAILABLE AT ADDITIONAL COST TO FACILITATE PC BOARD WASHING
11. NON-LISTED VALUES AVAILABLE ON REQUEST



RENCO ELECTRONICS INC.

595 International Place, Rockledge, FL 32955-4200 USA • www.rencousa.com • ISO 9001 Certified
Toll Free Engineering Hot Line: 800.645.5828 • P: 321.637.1000 • F: 321.637.1600



RL-1256-6

RL-1256-6 Renco Part No.	Inductance (μ H)	DCR Max. (Ohms)	Isat (A)	Irms (A)	Dimension "E" Approx. Inches (mm)	Pin Dimension Approx. Inches (mm)
RL-1256-6-4.7	4.7	0.002	149.9	35.0	1.40 (35.56)	0.105 (2.67)
RL-1256-6-5.6	5.6	0.002	122.7	35.0	1.40 (35.56)	0.105 (2.67)
RL-1256-6-6.8	6.8	0.003	103.8	35.0	1.40 (35.56)	0.105 (2.67)
RL-1256-6-8.2	8.2	0.003	90.0	35.0	1.40 (35.56)	0.105 (2.67)
RL-1256-6-10	10.0	0.003	79.4	35.0	1.48 (37.59)	0.105 (2.67)
RL-1256-6-12	12.0	0.004	71.0	35.0	1.48 (37.59)	0.105 (2.67)
RL-1256-6-15	15.0	0.004	64.3	35.0	1.48 (37.59)	0.105 (2.67)
RL-1256-6-18	18.0	0.005	58.7	35.0	1.48 (37.59)	0.105 (2.67)
RL-1256-6-22	22.0	0.005	54.0	35.0	1.48 (37.59)	0.105 (2.67)
RL-1256-6-27	27.0	0.006	50.0	35.0	1.48 (37.59)	0.105 (2.67)
RL-1256-6-33	33.0	0.006	46.5	35.0	1.48 (37.59)	0.105 (2.67)
RL-1256-6-39	39.0	0.006	43.5	35.0	1.48 (37.59)	0.105 (2.67)
RL-1256-6-47	47.0	0.008	40.9	35.0	1.48 (37.59)	0.105 (2.67)
RL-1256-6-56	56.0	0.009	36.5	35.0	1.48 (37.59)	0.105 (2.67)
RL-1256-6-68	68.0	0.009	32.9	35.0	1.48 (37.59)	0.105 (2.67)
RL-1256-6-82	82.0	0.010	30.0	35.0	1.48 (37.59)	0.105 (2.67)
RL-1256-6-100	100.0	0.014	26.5	27.0	1.53 (38.86)	0.094 (2.39)
RL-1256-6-120	120.0	0.015	24.5	27.0	1.53 (38.86)	0.094 (2.39)
RL-1256-6-150	150.0	0.023	21.4	21.0	1.49 (37.85)	0.084 (2.13)
RL-1256-6-180	180.0	0.025	19.5	21.0	1.49 (37.85)	0.084 (2.13)
RL-1256-6-220	220.0	0.028	18.0	21.0	1.49 (37.85)	0.084 (2.13)
RL-1256-6-270	270.0	0.030	16.2	21.0	1.49 (37.85)	0.084 (2.13)
RL-1256-6-330	330.0	0.040	14.8	17.0	1.31 (33.27)	0.075 (1.90)
RL-1256-6-390	390.0	0.055	13.6	13.5	1.31 (33.27)	0.068 (1.73)
RL-1256-6-470	470.0	0.061	12.3	13.5	1.31 (33.27)	0.068 (1.73)
RL-1256-6-560	560.0	0.068	11.3	13.5	1.40 (33.56)	0.068 (1.73)
RL-1256-6-680	680.0	0.094	10.3	11.4	1.42 (36.07)	0.060 (1.52)
RL-1256-6-820	820.0	0.104	9.4	11.4	1.42 (36.07)	0.060 (1.52)

RL-1256-6 TABLE CONTINUES ON FOLLOWING PAGE

NOTES:

1. INDUCTANCE \pm 10% TESTED AT 10 kHz , 0.1 Vrms, VALUES BELOW 10 μ H ARE \pm 20%
2. 500 VOLTS DC HIPOT FOR 1 MINUTE (WINDING TO I.D. OF CORE)
3. ELECTRICAL SPECIFICATIONS MEASURED AT 25°C
4. Isat - DC CURRENT THAT WILL CAUSE INDUCTANCE TO DROP BY 5%
5. Irms - CURRENT THAT CAUSES THE TEMPERATURE TO RISE APPROX. 40°C ABOVE AMBIENT OF 25°C
6. LEADS FOR PC MOUNTING TINNED TO WITHIN 1/16" OF BODY
7. PART FINISHED WITH 135°C POLYOLEFIN SLEEVING THAT MEETS UL-224 VW-1
8. ENCAPSULATED TO MIL-PRF-27 AVAILABLE, SEE RENCO RL-1324 SERIES
9. CENTER HOLE FOR MECHANICAL MOUNTING
10. SPACER AVAILABLE AT ADDITIONAL COST TO FACILITATE PC BOARD WASHING
11. NON-LISTED VALUES AVAILABLE ON REQUEST



RENCO ELECTRONICS INC.

595 International Place, Rockledge, FL 32955-4200 USA • www.rencousa.com • ISO 9001 Certified
Toll Free Engineering Hot Line: 800.645.5828 • P: 321.637.1000 • F: 321.637.1600



RL-1256-6, RL-1256-7

RL-1256-6 Renco Part No.	Inductance (μ H)	DCR Max. (Ohms)	Isat (A)	Irms (A)	Dimension "E" Approx. Inches (mm)	Pin Dimension Approx. Inches (mm)
RL-1256-6-1000	1000.0	0.143	8.5	9.0	1.36 (34.54)	0.054 (1.37)
RL-1256-6-1200	1200.0	0.156	7.7	9.0	1.36 (34.54)	0.054 (1.37)
RL-1256-6-1500	1500.0	0.219	6.8	7.2	1.31 (33.27)	0.048 (1.22)
RL-1256-6-1800	1800.0	0.241	6.3	7.2	1.31 (33.27)	0.048 (1.22)
RL-1256-6-2200	2200.0	0.270	5.7	7.2	1.40 (35.56)	0.048 (1.22)
RL-1256-6-2700	2700.0	0.364	5.1	5.5	1.36 (34.54)	0.043 (1.09)
RL-1256-6-3300	3300.0	0.498	4.6	4.5	1.24 (31.50)	0.039 (0.99)
RL-1256-6-3900	3900.0	0.548	4.2	4.5	1.32 (33.53)	0.039 (0.99)
RL-1256-6-4700	4700.0	0.608	3.9	4.5	1.32 (33.53)	0.039 (0.99)
RL-1256-6-5600	5600.0	0.671	3.5	4.5	1.36 (34.54)	0.039 (0.99)
RL-1256-6-6800	6800.0	0.750	3.2	4.5	1.40 (33.56)	0.039 (0.99)
RL-1256-6-8200	8200.0	1.03	2.9	4.0	1.45 (36.83)	0.035 (0.89)
RL-1256-6-10000	10000.0	1.16	2.6	4.0	1.45 (36.83)	0.035 (0.89)
RL-1256-6-12000	12000.0	1.54	2.4	2.8	1.40 (35.56)	0.031 (0.79)
RL-1256-6-15000	15000.0	1.75	2.2	2.8	1.40 (35.56)	0.031 (0.79)
RL-1256-6-18000	18000.0	1.94	2.0	2.8	1.45 (36.83)	0.028 (0.71)
RL-1256-6-22000	22000.0	2.74	1.8	2.0	1.37 (34.80)	0.028 (0.71)
RL-1256-6-27000	27000.0	3.71	1.6	1.7	1.37 (34.80)	0.025 (0.64)
RL-1256-6-33000	33000.0	4.16	1.5	1.7	1.37 (34.80)	0.025 (0.64)
RL-1256-6-39000	39000.0	5.56	1.4	1.4	1.35 (34.29)	0.025 (0.64)
RL-1256-6-47000	47000.0	6.19	1.2	1.4	1.35 (34.29)	0.022 (0.56)

RL-1256-7 Renco Part No.	Inductance (μ H)	DCR Max. (Ohms)	Isat (A)	Irms (A)	Dimension "E" Approx. Inches (mm)	Pin Dimension Approx. Inches (mm)
RL-1256-7-5.6	5.60	0.0018	200.0	45.0	1.60 (40.64)	0.120 (3.05)
RL-1256-7-6.8	6.80	0.0021	163.0	45.0	1.60 (40.64)	0.120 (3.05)
RL-1256-7-8.2	8.20	0.0022	163.0	45.0	1.60 (40.64)	0.120 (3.05)
RL-1256-7-10	10.0	0.0024	138.0	45.0	1.60 (40.64)	0.120 (3.05)
RL-1256-7-12	12.0	0.0025	120.0	45.0	1.60 (40.64)	0.120 (3.05)
RL-1256-7-15	15.0	0.0028	105.0	42.0	1.70 (43.18)	0.120 (3.05)
RL-1256-7-18	18.0	0.0032	94.0	40.0	1.70 (43.18)	0.120 (3.05)
RL-1256-7-22	22.0	0.0036	85.0	38.0	1.70 (43.18)	0.120 (3.05)

RL-1256-7 TABLE CONTINUES ON FOLLOWING PAGE

NOTES:

- INDUCTANCE \pm 10% TESTED AT 10 kHz , 0.1 Vrms, VALUES BELOW 10 μ H ARE \pm 20%
- 500 VOLTS DC HIPOT FOR 1 MINUTE (WINDING TO I.D. OF CORE)
- ELECTRICAL SPECIFICATIONS MEASURED AT 25°C
- Isat - DC CURRENT THAT WILL CAUSE INDUCTANCE TO DROP BY 5%
- Irms - CURRENT THAT CAUSES THE TEMPERATURE TO RISE APPROX. 40°C ABOVE AMBIENT OF 25°C
- LEADS FOR PC MOUNTING TINNED TO WITHIN 1/16" OF BODY
- PART FINISHED WITH 135°C POLYOLEFIN SLEEVING THAT MEETS UL-224 VW-1
- ENCAPSULATED TO MIL-PRF-27 AVAILABLE, SEE RENCO RL-1324 SERIES
- CENTER HOLE FOR MECHANICAL MOUNTING
- SPACER AVAILABLE AT ADDITIONAL COST TO FACILITATE PC BOARD WASHING
- NON-LISTED VALUES AVAILABLE ON REQUEST



RENCO ELECTRONICS INC.

595 International Place, Rockledge, FL 32955-4200 USA • www.rencousa.com • ISO 9001 Certified
Toll Free Engineering Hot Line: 800.645.5828 • P: 321.637.1000 • F: 321.637.1600



RL-1256-7

RL-1256-7 Renco Part No.	Inductance (μ H)	DCR Max. (Ohms)	Isat (A)	Irms (A)	Dimension "E" Approx. Inches (mm)	Pin Dimension Approx. Inches (mm)
RL-1256-7-27	27.0	0.0042	78.0	38.0	1.70 (43.18)	0.120 (3.05)
RL-1256-7-33	33.0	0.0045	72.0	37.0	1.70 (43.18)	0.120 (3.05)
RL-1256-7-39	39.0	0.0048	66.0	36.0	1.80 (45.72)	0.120 (3.05)
RL-1256-7-47	47.0	0.0057	58.0	35.0	1.80 (45.72)	0.120 (3.05)
RL-1256-7-56	56.0	0.0069	54.0	35.0	1.80 (45.72)	0.120 (3.05)
RL-1256-7-68	68.0	0.0078	48.0	35.0	1.80 (45.72)	0.120 (3.05)
RL-1256-7-82	82.0	0.0093	43.0	35.0	1.80 (45.72)	0.120 (3.05)
RL-1256-7-100	100.0	0.0103	40.0	27.0	1.80 (45.72)	0.120 (3.05)
RL-1256-7-120	120.0	0.0108	36.0	27.0	1.80 (45.72)	0.120 (3.05)
RL-1256-7-150	150.0	0.0120	32.0	25.0	1.80 (45.72)	0.120 (3.05)
RL-1256-7-180	180.0	0.0156	21.0	22.0	1.80 (45.72)	0.105 (2.67)
RL-1256-7-220	220.0	0.0168	28.0	22.0	1.80 (45.72)	0.105 (2.67)
RL-1256-7-270	270.0	0.0228	24.0	21.0	1.80 (45.72)	0.094 (2.39)
RL-1256-7-330	330.0	0.0300	23.0	17.0	1.80 (45.72)	0.084 (2.13)
RL-1256-7-390	390.0	0.0432	21.0	13.5	1.70 (43.18)	0.075 (1.90)
RL-1256-7-470	470.0	0.0456	19.7	13.5	1.70 (43.18)	0.075 (1.90)
RL-1256-7-560	560.0	0.0480	17.4	13.5	1.75 (44.45)	0.075 (1.90)
RL-1256-7-680	680.0	0.0516	15.9	12.0	1.80 (45.72)	0.075 (1.90)
RL-1256-7-820	820.0	0.0648	14.0	11.5	1.80 (45.72)	0.075 (1.90)
RL-1256-7-1000	1000.0	0.0936	12.7	10.0	1.75 (44.45)	0.068 (1.73)
RL-1256-7-1200	1200.0	0.1020	11.9	9.5	1.78 (45.21)	0.068 (1.73)
RL-1256-7-1500	1500.0	0.1176	10.9	8.0	1.80 (45.72)	0.068 (1.73)
RL-1256-7-1800	1800.0	0.1536	10.1	7.5	1.70 (43.18)	0.060 (1.52)
RL-1256-7-2200	2200.0	0.2160	8.9	7.2	1.70 (43.18)	0.054 (1.37)
RL-1256-7-2700	2700.0	0.2424	8.0	6.0	1.75 (44.45)	0.054 (1.37)
RL-1256-7-3300	3300.0	0.2640	7.1	5.5	1.80 (45.72)	0.054 (1.37)
RL-1256-7-3900	3900.0	0.3480	6.8	5.2	1.75 (44.45)	0.048 (1.22)
RL-1256-7-4700	4700.0	0.3924	6.1	5.0	1.78 (45.21)	0.048 (1.22)
RL-1256-7-5600	5600.0	0.4320	5.6	4.7	1.80 (45.72)	0.048 (1.22)
RL-1256-7-6800	6800.0	0.5940	5.0	4.5	1.70 (43.18)	0.043 (1.09)
RL-1256-7-8200	8200.0	0.6600	4.6	4.0	1.75 (44.45)	0.043 (1.09)
RL-1256-7-10000	10000.0	0.7560	4.0	4.0	1.80 (45.72)	0.043 (1.09)
RL-1256-7-12000	12000.0	0.9840	3.7	3.5	1.80 (45.72)	0.039 (0.99)

RL-1256-7 TABLE CONTINUES ON FOLLOWING PAGE

NOTES:

- INDUCTANCE \pm 10% TESTED AT 10 kHz , 0.1 Vrms, VALUES BELOW 10 μ H ARE \pm 20%
- 500 VOLTS DC HIPOT FOR 1 MINUTE (WINDING TO I.D. OF CORE)
- ELECTRICAL SPECIFICATIONS MEASURED AT 25°C
- Isat - DC CURRENT THAT WILL CAUSE INDUCTANCE TO DROP BY 5%
- Irms - CURRENT THAT CAUSES THE TEMPERATURE TO RISE APPROX. 40°C ABOVE AMBIENT OF 25°C
- LEADS FOR PC MOUNTING TINNED TO WITHIN 1/16" OF BODY
- PART FINISHED WITH 135°C POLYOLEFIN SLEEVING THAT MEETS UL-224 VW-1
- ENCAPSULATED TO MIL-PRF-27 AVAILABLE, SEE RENCO RL-1324 SERIES
- CENTER HOLE FOR MECHANICAL MOUNTING
- SPACER AVAILABLE AT ADDITIONAL COST TO FACILITATE PC BOARD WASHING
- NON-LISTED VALUES AVAILABLE ON REQUEST



RENCO ELECTRONICS INC.

595 International Place, Rockledge, FL 32955-4200 USA • www.rencousa.com • ISO 9001 Certified
Toll Free Engineering Hot Line: 800.645.5828 • P: 321.637.1000 • F: 321.637.1600



RL-1256-7, RL-1256-8

RL-1256-7 Renco Part No.	Inductance (μ H)	DCR Max. (Ohms)	Isat (A)	Irms (A)	Dimension "E" Approx. Inches (mm)	Pin Dimension Approx. Inches (mm)
RL-1256-7-15000	15000.0	1.416	3.0	2.8	1.75 (44.45)	0.035 (0.89)
RL-1256-7-18000	18000.0	1.524	2.8	2.8	1.78 (45.21)	0.035 (0.89)
RL-1256-7-22000	22000.0	1.800	2.7	2.3	1.80 (45.72)	0.035 (0.89)
RL-1256-7-27000	27000.0	2.376	2.5	2.0	1.75 (44.45)	0.031 (0.79)
RL-1256-7-33000	33000.0	2.640	2.2	1.9	1.80 (45.72)	0.031 (0.79)
RL-1256-7-39000	39000.0	3.576	2.1	1.6	1.75 (44.45)	0.028 (0.71)
RL-1256-7-47000	47000.0	3.936	1.9	1.6	1.78 (45.21)	0.028 (0.71)
RL-1256-7-56000	56000.0	4.320	1.7	1.5	1.80 (45.72)	0.028 (0.71)
RL-1256-7-68000	68000.0	5.220	1.5	1.3	1.85 (46.99)	0.028 (0.71)

RL-1256-8 Renco Part No.	Inductance (μ H)	DCR Max. (Ohms)	Isat (A)	Irms (A)	Dimension "E" Approx. Inches (mm)	Pin Dimension Approx. Inches (mm)
RL-1256-8-5.6	5.6	0.0012	233.0	55.0	*	0.225 (5.72)
RL-1256-8-6.8	6.8	0.0013	197.0	55.0	*	0.225 (5.72)
RL-1256-8-8.2	8.2	0.0015	171.0	55.0	*	0.225 (5.72)
RL-1256-8-10	10.0	0.0017	170.0	55.0	*	0.225 (5.72)
RL-1256-8-12	12.0	0.0020	150.0	55.0	*	0.225 (5.72)
RL-1256-8-15	15.0	0.0021	135.0	55.0	*	0.225 (5.72)
RL-1256-8-18	18.0	0.0023	122.0	55.0	*	0.225 (5.72)
RL-1256-8-22	22.0	0.0025	111.0	55.0	*	0.225 (5.72)
RL-1256-8-27	27.0	0.0026	102.0	55.0	*	0.225 (5.72)
RL-1256-8-33	33.0	0.0029	95.0	55.0	*	0.225 (5.72)
RL-1256-8-39	39.0	0.0033	83.0	55.0	*	0.225 (5.72)
RL-1256-8-47	47.0	0.0035	77.0	55.0	*	0.225 (5.72)
RL-1256-8-56	56.0	0.0039	69.0	55.0	*	0.225 (5.72)
RL-1256-8-68	68.0	0.0043	62.0	50.0	*	0.225 (5.72)
RL-1256-8-82	82.0	0.0048	57.0	45.0	*	0.210 (5.33)
RL-1256-8-100	100.0	0.0052	52.0	40.0	*	0.210 (5.33)
RL-1256-8-120	120.0	0.0071	48.0	39.0	*	0.210 (5.33)
RL-1256-8-150	150.0	0.0079	43.0	38.0	*	0.210 (5.33)
RL-1256-8-180	180.0	0.0087	39.0	37.0	*	0.210 (5.33)
RL-1256-8-220	220.0	0.0120	35.0	33.0	*	0.190 (4.83)

RL-1256-8 TABLE CONTINUES ON FOLLOWING PAGE

*** INDUCTORS WOUND WITH 2 STRANDS OF WIRE. CONSULT ENGINEERING FOR DIMENSION.**

NOTES:

1. INDUCTANCE \pm 10% TESTED AT 10 kHz , 0.1 Vrms, VALUES BELOW 10 μ H ARE \pm 20%
2. 500 VOLTS DC HIPOT FOR 1 MINUTE (WINDING TO I.D. OF CORE)
3. ELECTRICAL SPECIFICATIONS MEASURED AT 25°C
4. Isat - DC CURRENT THAT WILL CAUSE INDUCTANCE TO DROP BY 5%
5. Irms - CURRENT THAT CAUSES THE TEMPERATURE TO RISE APPROX. 40°C ABOVE AMBIENT OF 25°C
6. LEADS FOR PC MOUNTING TINNED TO WITHIN 1/16" OF BODY
7. PART FINISHED WITH 135°C POLYOLEFIN SLEEVING THAT MEETS UL-224 VW-1
8. ENCAPSULATED TO MIL-PRF-27 AVAILABLE, SEE RENCO RL-1324 SERIES
9. CENTER HOLE FOR MECHANICAL MOUNTING
10. SPACER AVAILABLE AT ADDITIONAL COST TO FACILITATE PC BOARD WASHING
11. NON-LISTED VALUES AVAILABLE ON REQUEST



RENCO ELECTRONICS INC.

595 International Place, Rockledge, FL 32955-4200 USA • www.rencousa.com • ISO 9001 Certified
Toll Free Engineering Hot Line: 800.645.5828 • P: 321.637.1000 • F: 321.637.1600



RL-1256-8

RL-1256-8 Renco Part No.	Inductance (μ H)	DCR Max. (Ohms)	Isat (A)	Irms (A)	Dimension "E" Approx. Inches (mm)	Pin Dimension Approx. Inches (mm)
RL-1256-8-270	270.0	0.014	32.0	30.0	*	0.190 (4.83)
RL-1256-8-330	330.0	0.018	29.0	27.0	1.80 (45.72)	0.120 (3.05)
RL-1256-8-390	390.0	0.020	27.0	25.0	1.70 (43.18)	0.120 (3.05)
RL-1256-8-470	470.0	0.028	24.0	21.0	1.70 (43.18)	0.105 (2.67)
RL-1256-8-560	560.0	0.031	22.0	20.0	1.75 (44.45)	0.105 (2.67)
RL-1256-8-680	680.0	0.034	20.0	19.0	1.80 (45.72)	0.105 (2.67)
RL-1256-8-820	820.0	0.047	18.0	16.0	1.80 (45.72)	0.094 (2.39)
RL-1256-8-1000	1000.0	0.052	16.0	15.5	1.75 (44.45)	0.094 (2.39)
RL-1256-8-1200	1200.0	0.057	15.0	15.0	1.78 (45.21)	0.094 (2.39)
RL-1256-8-1500	1500.0	0.080	13.0	13.0	1.80 (45.72)	0.084 (2.13)
RL-1256-8-1800	1800.0	0.088	12.0	12.0	1.70 (43.18)	0.084 (2.13)
RL-1256-8-2200	2200.0	0.122	11.0	10.0	1.70 (43.18)	0.075 (1.90)
RL-1256-8-2700	2700.0	0.135	10.0	10.0	1.75 (44.45)	0.075 (1.90)
RL-1256-8-3300	3300.0	0.188	9.0	8.0	1.80 (45.72)	0.068 (1.73)
RL-1256-8-3900	3900.0	0.205	8.0	8.0	1.75 (44.45)	0.068 (1.73)
RL-1256-8-4700	4700.0	0.283	7.7	6.7	1.78 (45.21)	0.060 (1.52)
RL-1256-8-5600	5600.0	0.309	7.0	6.4	1.80 (45.72)	0.060 (1.52)
RL-1256-8-6800	6800.0	0.431	6.4	5.4	1.70 (43.18)	0.054 (1.37)
RL-1256-8-8200	8200.0	0.472	5.8	5.2	1.75 (44.45)	0.054 (1.37)
RL-1256-8-10000	10000.0	0.521	5.2	5.0	1.80 (45.72)	0.054 (1.37)
RL-1256-8-12000	12000.0	0.717	4.8	4.2	1.80 (45.72)	0.048 (1.22)
RL-1256-8-15000	15000.0	0.803	4.3	4.0	1.75 (44.45)	0.048 (1.22)
RL-1256-8-18000	18000.0	1.111	3.9	3.4	1.78 (45.21)	0.043 (1.09)
RL-1256-8-22000	22000.0	1.228	3.5	3.2	1.80 (45.72)	0.043 (1.09)
RL-1256-8-27000	27000.0	1.716	3.2	2.7	1.75 (44.45)	0.039 (0.99)
RL-1256-8-33000	33000.0	1.896	2.9	2.6	1.80 (45.72)	0.039 (0.99)
RL-1256-8-39000	39000.0	2.590	2.6	2.3	1.75 (44.45)	0.035 (0.89)
RL-1256-8-47000	47000.0	2.840	2.4	2.2	1.78 (45.21)	0.035 (0.89)
RL-1256-8-56000	56000.0	3.104	2.2	2.1	1.80 (45.72)	0.035 (0.89)
RL-1256-8-68000	68000.0	4.331	2.0	1.7	1.85 (46.99)	0.031 (0.79)
RL-1256-8-82000	82000.0	4.756	1.8	1.6	1.90 (48.26)	0.031 (0.79)
RL-1256-8-100000	100000.0	6.652	1.6	1.4	1.95 (49.53)	0.028 (0.71)

* INDUCTORS WOUND WITH 2 STRANDS OF WIRE. CONSULT ENGINEERING FOR DIMENSION.

NOTES:

- INDUCTANCE \pm 10% TESTED AT 10 kHz , 0.1 Vrms, VALUES BELOW 10 μ H ARE \pm 20%
- 500 VOLTS DC HIPOT FOR 1 MINUTE (WINDING TO I.D. OF CORE)
- ELECTRICAL SPECIFICATIONS MEASURED AT 25°C
- Isat - DC CURRENT THAT WILL CAUSE INDUCTANCE TO DROP BY 5%
- Irms - CURRENT THAT CAUSES THE TEMPERATURE TO RISE APPROX. 40°C ABOVE AMBIENT OF 25°C
- LEADS FOR PC MOUNTING TINNED TO WITHIN 1/16" OF BODY
- PART FINISHED WITH 135°C POLYOLEFIN SLEEVING THAT MEETS UL-224 VW-1
- ENCAPSULATED TO MIL-PRF-27 AVAILABLE, SEE RENCO RL-1324 SERIES
- CENTER HOLE FOR MECHANICAL MOUNTING
- SPACER AVAILABLE AT ADDITIONAL COST TO FACILITATE PC BOARD WASHING
- NON-LISTED VALUES AVAILABLE ON REQUEST



RENCO ELECTRONICS INC.

595 International Place, Rockledge, FL 32955-4200 USA • www.rencousa.com • ISO 9001 Certified
Toll Free Engineering Hot Line: 800.645.5828 • P: 321.637.1000 • F: 321.637.1600

