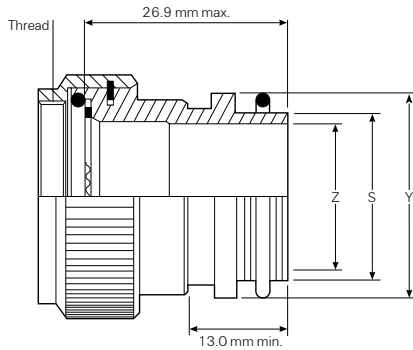
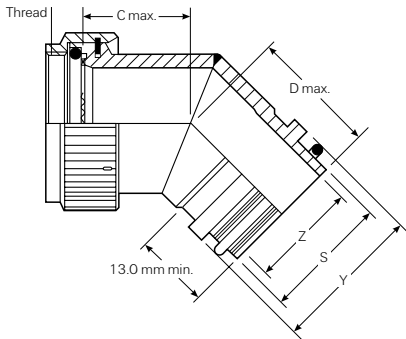


Code 40 MIL-C-38999 Series III and IV

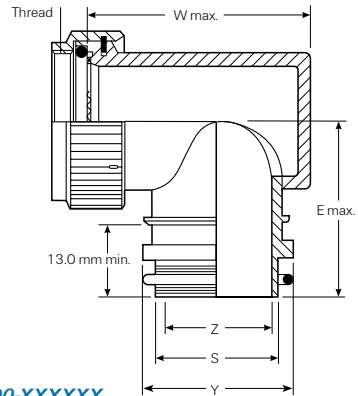
Tinet-Lock adapters



TXR40XX00-XXXXXX



TXR40XX45-XXXXXX



TXR40XX90-XXXXXX

Available in:

Americas

Europe

Asia Pacific

Table of dimensions (mm/in)

Order number	Shell size		Max. entry* size type 1	Thread	C max.		D max.		E max.	
	Commercial	Military			mm	(in)	mm	(in)	mm	(in)
08	9	A	04	M12 x 1.0	20.8	(0.82)	22.6	(0.89)	27.9	(1.10)
10	11	B	07	M15 x 1.0	21.3	(0.84)	23.4	(0.92)	30.5	(1.20)
12	13	C	08	M18 x 1.0	22.1	(0.87)	24.1	(0.95)	32.0	(1.26)
14	15	D	10	M2 x 1.0	22.6	(0.89)	24.1	(0.95)	34.0	(1.34)
16	17	E	12	M25 x 1.0	23.4	(0.92)	24.9	(0.98)	35.6	(1.40)
18	19	F	14	M28 x 1.0	24.1	(0.95)	25.7	(1.01)	36.8	(1.45)
20	21	G	16	M31 x 1.0	24.6	(0.97)	26.4	(1.04)	38.4	(1.51)
22	23	H	18	M34 x 1.0	25.4	(1.00)	27.2	(1.07)	39.9	(1.57)
24	25	J	20	M37 x 1.0	25.9	(1.02)	27.2	(1.07)	42.4	(1.67)

*For larger than maximum type 1 entry sizes, a two-piece adapter will be supplied. Contact your Tyco Electronics product representative for information.

Fax-on-demand

US only (800) 260-9099

Outside US (650) 257-2301

Fax ID

3718

Description

SCD

Visit our website at www.tycoelectronics.com**Entry size dimensions (mm/in)**

Entry size	Z +0.25–0.5	S diameter	Y dia.	W max.
		(min.–max.)	mm (in)	mm (in)
04	6.35 (0.25)	9.39–9.56 (0.37–0.38)	13.97 (0.55)	31.2 (1.23)
05	7.92 (0.31)	10.97–11.13 (0.43–0.44)	15.54 (0.61)	32.8 (1.29)
06	9.52 (0.37)	12.57–12.73 (0.49–0.50)	17.14 (0.67)	34.3 (1.35)
07	11.09 (0.44)	14.12–14.31 (0.55–0.56)	18.71 (0.74)	36.1 (1.42)
08	12.7 (0.50)	15.72–15.91 (0.62–0.63)	20.32 (0.80)	37.6 (1.48)
10	15.87 (0.62)	18.84–19.11 (0.74–0.75)	23.49 (0.92)	40.6 (1.60)
12	19.05 (0.75)	22.02–22.28 (0.87–0.88)	26.67 (1.05)	43.9 (1.73)
14	22.23 (0.88)	25.17–25.46 (0.99–1.00)	29.84 (1.17)	47.0 (1.85)
16	25.4 (1.00)	28.34–28.63 (1.12–1.13)	33.02 (1.30)	50.8 (2.00)
18	28.57 (1.12)	31.52–31.81 (1.24–1.25)	36.19 (1.42)	54.1 (2.13)
20	31.75 (1.25)	34.69–34.98 (1.37–1.38)	39.37 (1.55)	57.21 (2.25)

Molded part selection guide (Tinel)

Tinel-Lock entry size	Standard K parts			Low-profile D parts		
	Straight part no.	90° part no.	Cable OD (min.) mm (in)	Straight part no.	90° part no.	Cable OD (min.) mm (in)
04	202K232		3.3 (0.1)			
04	202W232		4.3 (0.2)			
04	202K121	222K121	5.6 (0.2)	202D211	222D211	6.4 (0.3)
05, 06	202K132	222K132	5.9 (0.2)	202D221	222D221	7.4 (0.3)
07, 08	202K142	222K142	7.1 (0.3)	202D232	222D232	8.4 (0.3)
10, 12	202K153	222K152	8.4 (0.3)	202D242	222D242	9.7 (0.4)
14, 16	202K163	222K163	9.9 (0.4)	202D253	222D253	10.5 (0.4)
18, 20, 22	202K174	222K174	15.7 (0.6)	202D263	222D263	12.2 (0.5)
24	202K185	222K185	16.8 (0.7)			

Uniboot parts

Tinel-Lock entry size	Part no.	Cable OD (min.) mm (in)
04	202C611	4.8 (0.19)
05, 06, 07	202C621	8.1 (0.32)
08, 10, 12	202C632	12.7 (0.50)
12, 14, 16	202C642	17.5 (0.69)
16, 18, 20, 22	202C653	22.4 (0.88)
24	202C663	22.9 (0.90)

Users should independently evaluate the suitability of the product for their application.
Before ordering check with factory for most current data.