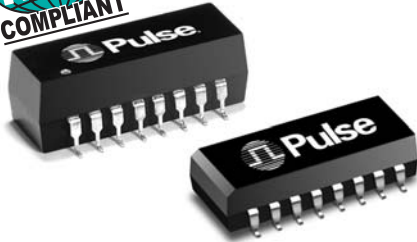






10/100 BASE-T SINGLE PORT TRANSFORMER MODULES

With 1:1 Transmit Turns Ratios



-  RoHS-5 peak reflow temperature rating: 235°C
-  RoHS-6 peak reflow temperature rating: 245°C
-  Compatible with Broadcom, Intel, Micrel, National Semiconductor, ICS, and TDK Transceivers
-  Meets IEEE 802.3 specification

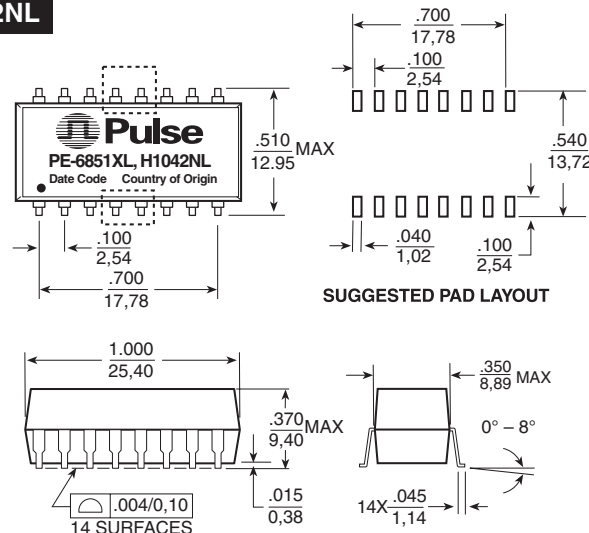
Electrical Specifications @ 25°C — Operating Temperature 0°C to 70°C

RoHS ⁵ Compliant Part Number	RoHS ⁶ Compliant Part Number	Insertion Loss (dB MAX)	Return Loss (dB MIN @ 100 Ω)					Differential to Common Mode Rejection (dB MIN)			Crosstalk (dB TYP)			Hipot (Vrms MIN)
			0.1-100MHz	1-30MHz	40MHz	50MHz	60-80MHz	30MHz	60MHz	100MHz	30MHz	60MHz	100MHz	
H1012	H1012NL ^{4c}	-1.0	-20	-20	-18	-14	-42	-36	-33	-50	-40	-40	1500	
H1019	H1019NL ^{4c}	-1.0	-20	-18	-18	-14	-45	-40	-35	-45	-40	-35	1500	
—	H1042NL ^{4c}	-1.0	-16	-13.5	-11.5	-10	-45	-40	-35	-40	-38	-35	1500	
H1086 ¹	H1086NL ^{4c}	-1.0	-22	-20	-18	-12	-45	-40	-35	-50	-40	-40	1500	
H1089	H1089NL ^{4c}	-1.0	-22	-20	-18	-12	-42	-38	-32	-50	-40	-40	1500	
H1117	H1117NL ^{4c}	-1.0	-22	-20	-18	-12	-45	-40	-35	-50	-40	-40	1500	
H1138	H1138NL ^{4a}	-0.8	-18	-16	-14	-12	42	-37	-33	-50	-40	-40	1500	
HX1148 ²	HX1148NL ^{2, 4c}	-1.5	-18	-13.5	-11.5	-10	-42	-37	-33	-50	-40	-40	1500	
HX1178 ²	HX1178NL ^{2, 4c}	-1.5	-18	-13.5	-11.5	-10	-42	-37	-33	-50	-40	-40	1500	
PE-68515L	PE-68515LNL ^{4d}	-1.0	-18	-18	-16	-12	-50	-45	-40	-55	-50	-50	1500	
PE-68517L	PE-68517LNL ^{4d}	-1.0	-18	-16	-15	-12	-45	-40	-35	-50	-40	-40	1500	
H1338	H1338NL ^{4a}	-1.1	-18	-16	-14	-12	-42	-37	-35	-40	-40	-35	1800	

1. Rise time optimized for National's DP83843.
2. Operating temperature: -40°+ 85°C.
3. When ordering Tape & Reel packaging, add a "T" suffix to the end of the part number, e.g. H1012T
4. MSL = Moisture Sensitivity Level: a = 1, b = 2, c = 3, d = 4.
5. RoHS-5: Product does not contain 5 out of the 6 banned substances specified in the RoHS directive (product contains lead in applications considered solder).
6. RoHS-6: Product does not contain 5 out of the 6 banned substances specified in the RoHS directive. Some internal connections may contain lead in high-temperature solder (solder alloys containing more than 85% lead).

Mechanicals

PE-68515L, PE-68517L, H1042NL



Weight 3.5 grams
 Tube 20/tube
 Tape & Reel 160/reel

NOTE: The PE-68515L pins 4 and 13 are removed.
 The PE-68517L pins 5 and 12 are removed.

Dimensions: $\frac{\text{Inches}}{\text{mm}}$ Unless otherwise specified, all tolerances are $\pm \frac{.010}{0.25}$

10/100 BASE-T SINGLE PORT TRANSFORMER MODULES

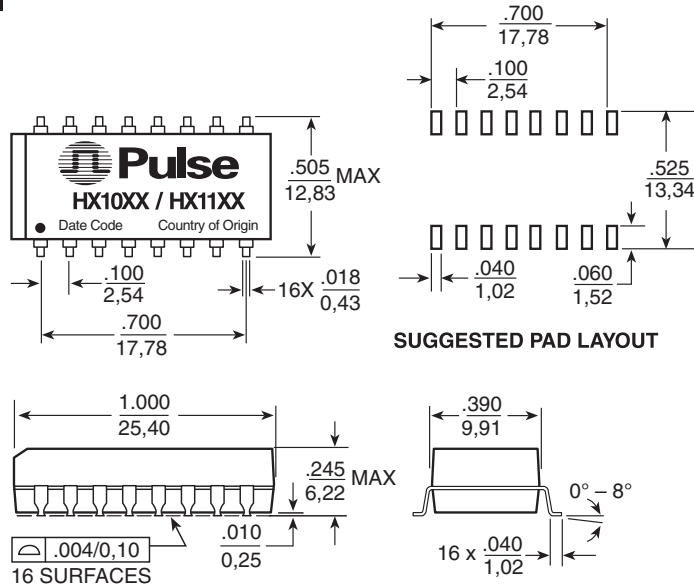
With 1:1 Transmit Turns Ratios



Mechanicals (continued)

H1012, H1019, H1086, H1089, H1117,

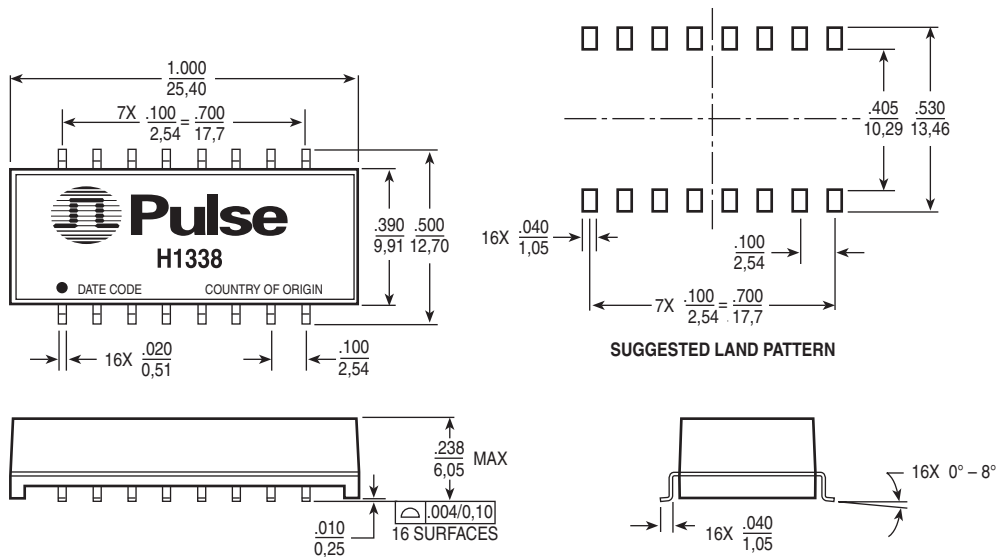
H1138, HX1148, HX1178



Dimensions: $\frac{\text{Inches}}{\text{mm}}$ Unless otherwise specified, all tolerances are $\pm \frac{.010}{0,25}$

Weight3.0 grams
 Tube20/tube
 Tape & Reel300/reel

H1338



Dimensions: $\frac{\text{Inches}}{\text{mm}}$ Unless otherwise specified, all tolerances are $\pm \frac{.010}{0,25}$

Weight3.0 grams
 Tube20/tube
 Tape & Reel300/reel

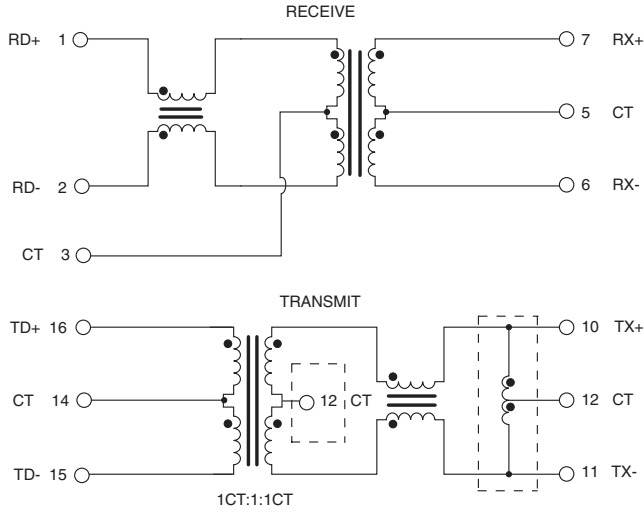
10/100 BASE-T SINGLE PORT TRANSFORMER MODULES

With 1:1 Transmit Turns Ratios



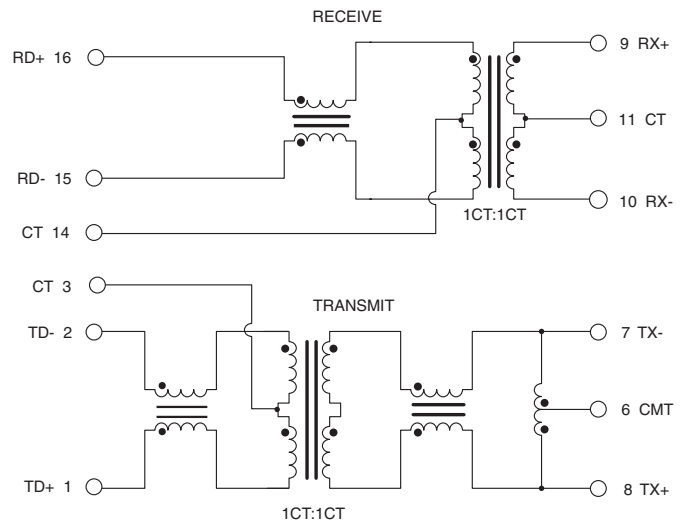
Schematics

PE-68515L, H1012, H1086, H1089, HX1148, H1138

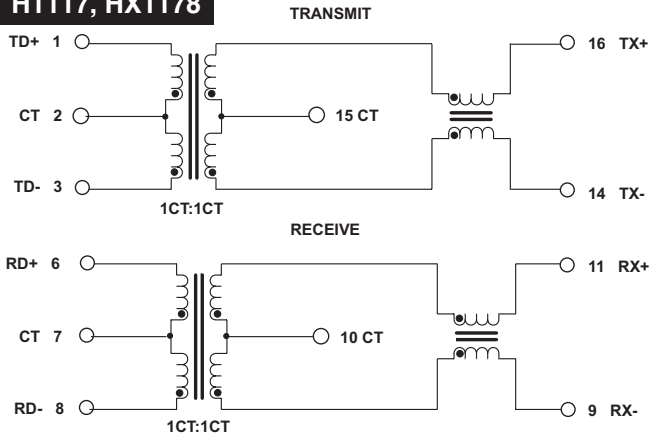


Center-tapped inductor not included in H1089. So, pin 12 connects to the transformer center tap.

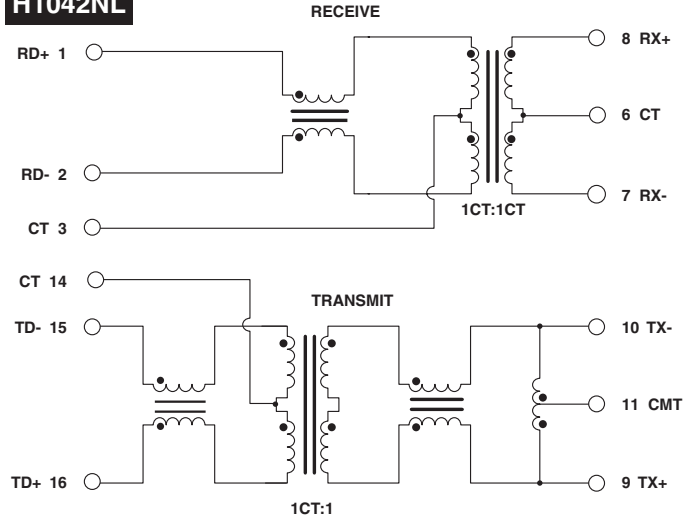
PE-68517L, H1019



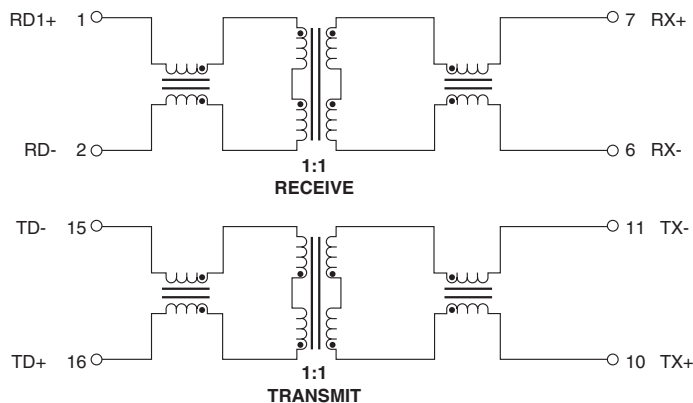
H1117, HX1178



H1042NL



H1338



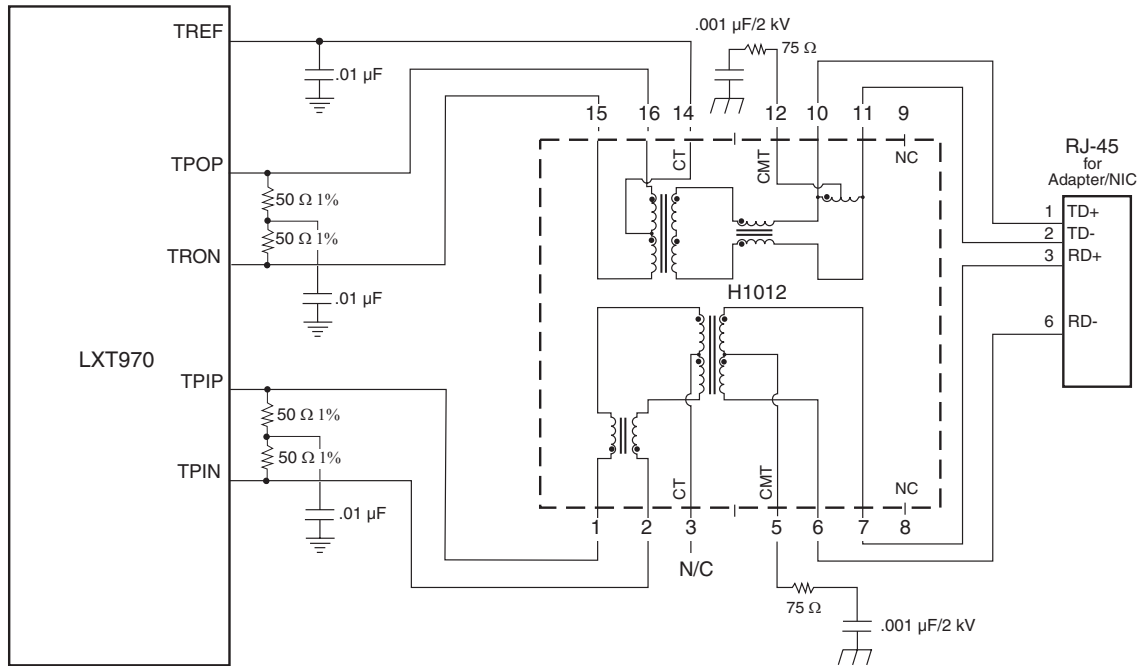
10/100 BASE-T SINGLE PORT TRANSFORMER MODULES

With 1:1 Transmit Turns Ratios

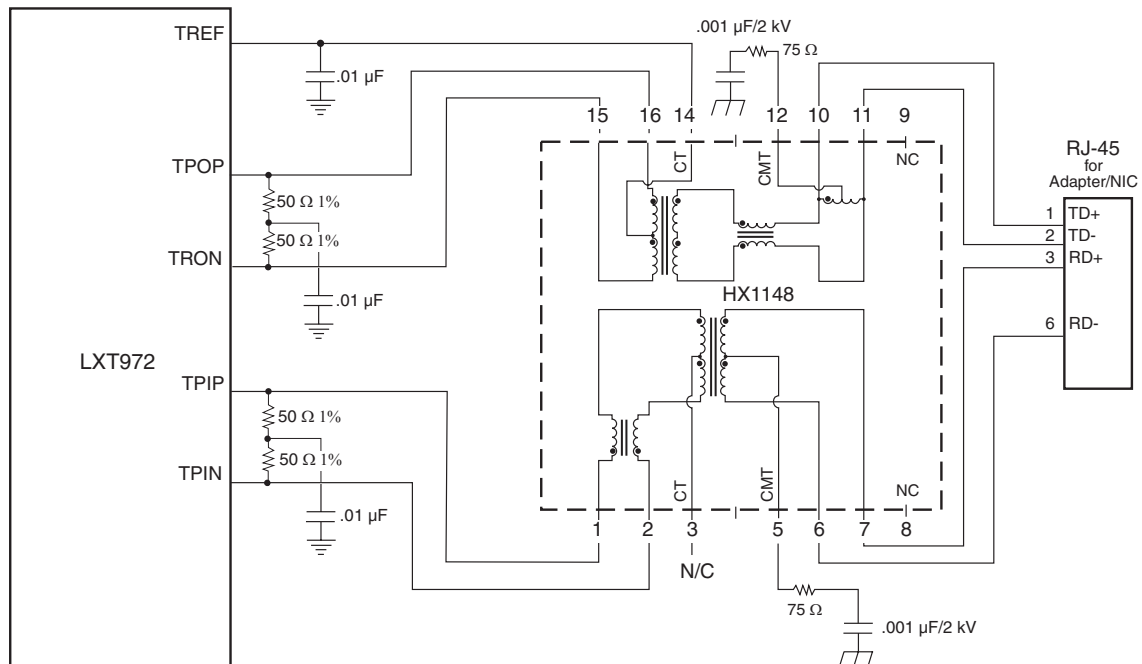


Typical Application Circuits

H1012, H1138



HX1148



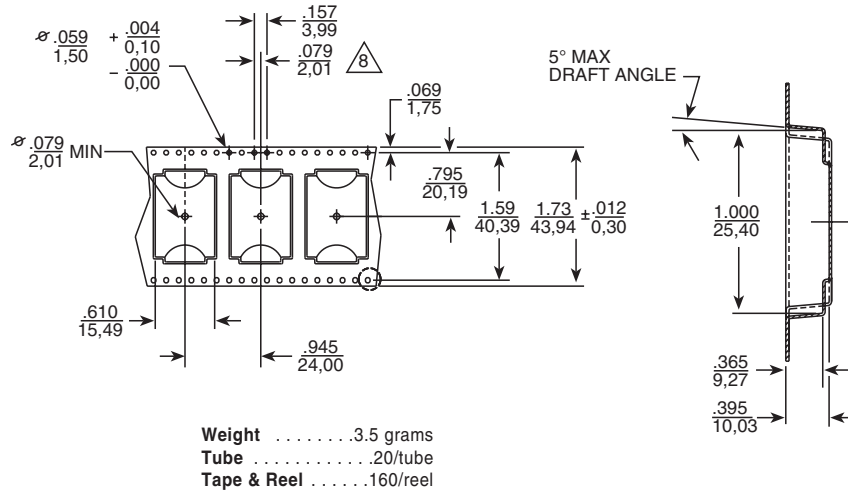
10/100 BASE-T SINGLE PORT TRANSFORMER MODULES

With 1:1 Transmit Turns Ratios



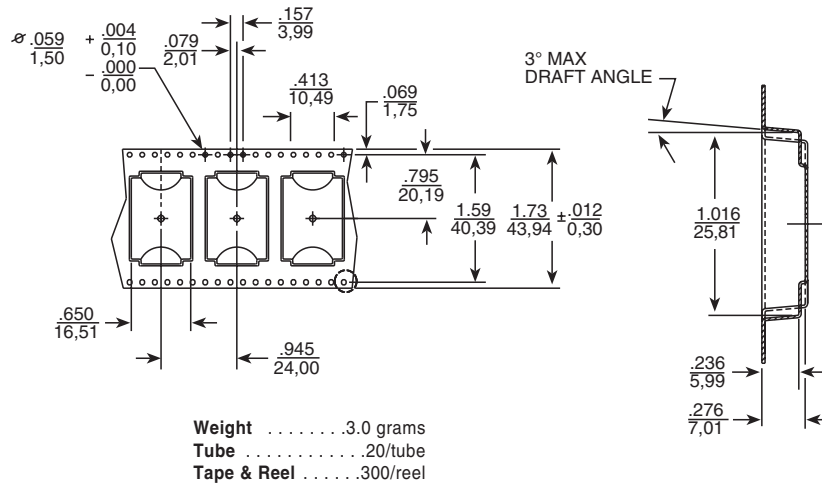
Tape & Reel Specifications

PE-68515L, PE-68517L, H1042NL



H1012, H1019, H1086, H1089, H1117,

H1138, H1338, HX1148, HX1178



For More Information:

Pulse Worldwide Headquarters	Pulse Europe	Pulse China Headquarters	Pulse North China	Pulse South Asia	Pulse North Asia
12220 World Trade Dr. San Diego, CA 92128 U.S.A.	Einsteinstrasse 1 D-71083 Herrenberg Germany	B402, Shenzhen Tech-Innovation International Tenth Kejinan Rd. High-Tech Industrial Park Nanshan District, Shenzhen China	Room 1503 XinYin Building No. 888 YiShan Rd. Shanghai 200233 China	150 Kampong Ampat #07-01/02 KA Centre Singapore 368324	No. 26, Kao Ching Rd. Yang Mei Chen Taoyuan Hsien Taiwan R. O. C.
www.pulseeng.com Tel: 858 674 8100 Fax: 858 674 8262	Tel: 49 7032 7806 0 Fax: 49 7032 7806 135	Tel: 86 755 33966678 Fax: 86 755 33966700	Tel: 86 21 54643211/2 Fax: 86 21 54643210	Tel: 65 6287 8998 Fax: 65 6280 0080	Tel: 886 3 4641811 Fax: 886 3 4641911

Performance warranty of products offered on this data sheet is limited to the parameters specified. Data is subject to change without notice. Other brand and product names mentioned herein may be trademarks or registered trademarks of their respective owners.
 © Copyright, 2007. Pulse Engineering, Inc. All rights reserved.