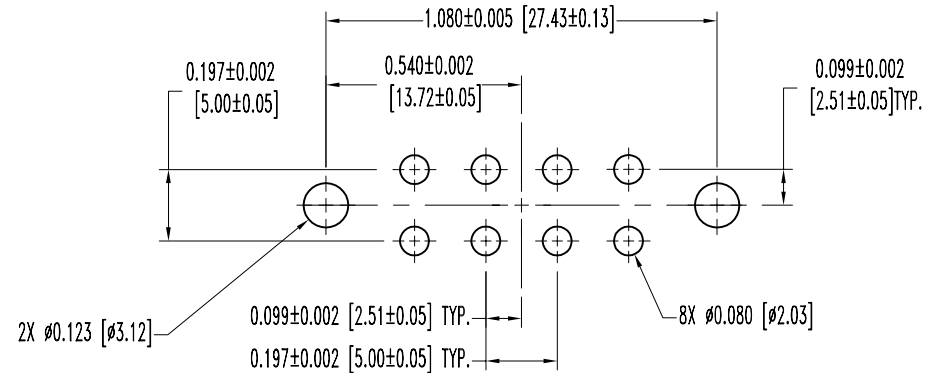
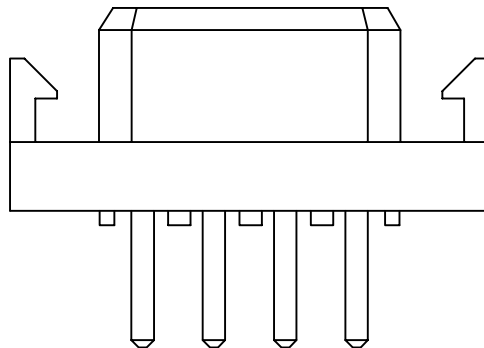
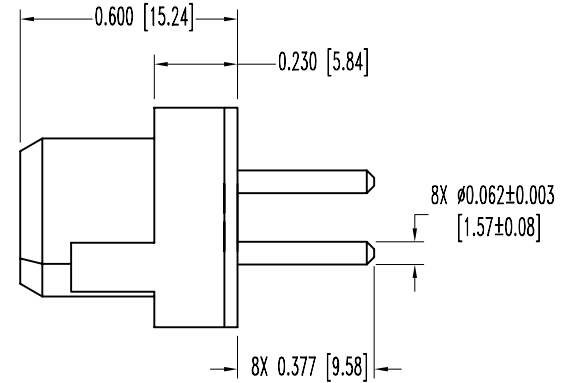
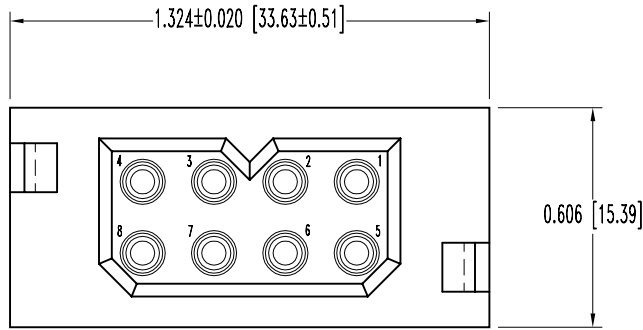


SK4329

POSITRONIC INDUSTRIES BELIEVES THE DATA ON THIS DRAWING TO BE RELIABLE. SINCE THE TECHNICAL INFORMATION IS GIVEN FREE OF CHARGE, THE USER EMPLOYS SUCH INFORMATION AT HIS OWN DISCRETION AND RISK. POSITRONIC INDUSTRIES ASSUMES NO RESPONSIBILITY FOR RESULTS OBTAINED OR DAMAGES INCURRED FROM USE OF SUCH INFORMATION IN WHOLE OR IN PART.

DATE	REV	REVISION RECORD	APP	DR	CK
5-21-02	NC	ECO 19468		YK	



CONTACT HOLE PATTERN

NOTES:

1. MATERIALS AND FINISHES:

INSULATOR: GLASS FILLED POLYESTER. UL 94V-0, COLOR: BLUE

CONTACTS: PRECISION MACHINED COPPER ALLOY, 0.000010 [0.25μ] GOLD OVER NICKEL.

2. ELECTRICAL CHARACTERISTICS:

CONTACT CURRENT RATING: 25 AMPS CONTINUOUS, DERATED PER IEC 512-3, TEST 5b.

INITIAL CONTACT RESISTANCE: 0.003 OHMS MAX. PER IEC 512-2, TEST 2B.

AFTER 1000 OPERATIONS: 0.007 OHMS MAX. PER IEC 512-2, TEST 2B.

INSULATOR RESISTANCE: 5 G OHMS. PER IEC 512-2, TEST 3a, METHOD A.

VOLTAGE PROOF: 2000 V rms PER IEC 512-2, TEST 4a, METHOD C.

TEMPERATURE RANGE: -55°C TO +125°C.

3. DIMENSIONS ARE IN INCHES [MILLIMETERS].

		POSITRONIC INDUSTRIES INC. www.connectpositronic.com	
		SCALE N.T.S.	DRAWN BY Y. KELLEYBREW
DECIMAL TOL. ± 0.015 [0.38]	PCS SERIES	TITLE PLB08F3200A1	
WF # 4548	DATE 5-21-02	DRAWING NUMBER SK4329	REV. NC
ANGULAR TOL. ± 5°	APPROVED BY		