

CMOS single-chip 8-bit microcontrollers

80C575/83C575/87C575

DESCRIPTION

The Philips 80C575/83C575/87C575 is a high-performance microcontroller fabricated with Philips high-density CMOS technology. The Philips CMOS technology combines the high speed and density characteristics of HMOS with the low power attributes of CMOS. Philips epitaxial substrate minimizes latch-up sensitivity.

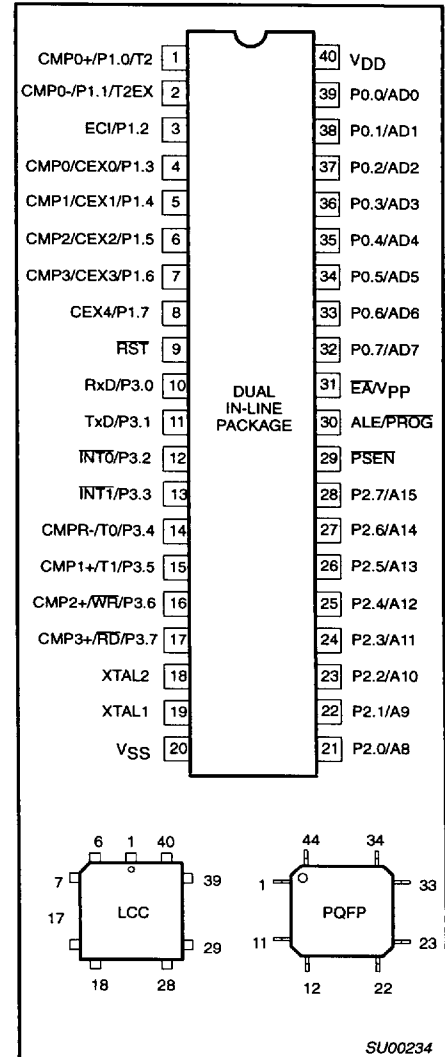
The 8XC575 contains an 8k × 8 ROM (83C575) EPROM (87C575), a 256 × 8 RAM, 32 I/O lines, three 16-bit counter/timers, a Programmable Counter Array (PCA), a seven-source, two-priority level nested interrupt structure, an enhanced UART, four analog comparators, power-fail detect and oscillator fail detect circuits, and on-chip oscillator and clock circuits.

In addition, the 8XC575 has a low active reset, and the port pins are reset to a low level. There is also a fully configurable watchdog timer, and internal power on clear circuit. The part includes idle mode and power-down mode states for reduced power consumption.

FEATURES

- 80C51 based architecture
 - 8k × 8 ROM (83C575)
 - 8k × 8 EPROM (87C575)
 - ROMless (80C575)
 - 256 × 8 RAM
 - Three 16-bit counter/timers
 - Programmable Counter Array
 - Enhanced UART
 - Boolean processor
 - Oscillator fail detect
 - Low active reset
 - Asynchronous low port reset
 - Schmitt trigger inputs
 - 4 analog comparators
 - Watchdog timer
 - Low V_{CC} detect
- Memory addressing capability
 - 64k ROM and 64k RAM
- Power control modes:
 - Idle mode
 - Power-down mode
- CMOS and TTL compatible
- 4.0 to 16MHz
- Extended temperature ranges
- OTP package available

PIN CONFIGURATIONS



ORDERING INFORMATION

| ROMless | ROM | EPROM ¹ | | TEMPERATURE RANGE °C AND PACKAGE | FREQ (MHz) | DRAWING NUMBER |
|-------------|-------------|--------------------|-----|--|------------|----------------|
| P80C575EBPN | P83C575EBPN | P87C575EBPN | OTP | 0 to +70, 40-Pin Plastic Dual In-line Package | 16 | SOT129-1 |
| P80C575EBAA | P83C575EBAA | P87C575EBAA | OTP | 0 to +70, 44-Pin Plastic Leaded Chip Carrier | 16 | SOT187-2 |
| | | P87C575EBFFA | UV | 0 to +70, 40-Pin Ceramic Dual In-line Package | 16 | 0590B |
| | | P87C575EBLKA | UV | 0 to +70, 44-Pin Ceramic Leaded Chip Carrier | 16 | 1472A |
| P80C575EHPN | P83C575EHPN | P87C575EHPN | OTP | -40 to +125, 40-Pin Plastic Dual In-line Package | 16 | SOT129-1 |
| P80C575EHAA | P83C575EHAA | P87C575EHAA | OTP | -40 to +125, 44-Pin Plastic Leaded Chip Carrier | 16 | SOT187-2 |
| | | P87C575EHFFA | UV | -40 to +125, 40-Pin Ceramic Dual In-line Package | 16 | 0590B |
| P80C575EBBB | P83C575EBBB | P87C575EBBB | OTP | 0 to +70, 44-Pin Plastic Quad Flat Pack | 16 | SOT307-2 |

NOTE:

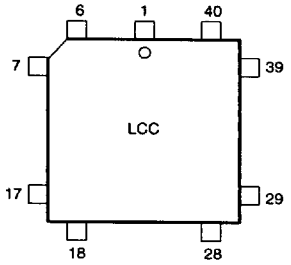
1. OTP - One Time Programmable EPROM. UV - Erasable EPROM



CMOS single-chip 8-bit microcontrollers

80C575/83C575/87C575

CERAMIC AND PLASTIC LEADED CHIP CARRIER PIN FUNCTIONS

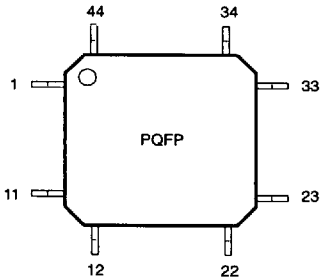


| Pin | Function | Pin | Function |
|-----|-----------------|-----|-------------------|
| 1 | NC* | 23 | NC* |
| 2 | T2/P1.0/CMP0+ | 24 | P2.0/A8 |
| 3 | T2EX/P1.1/CMP0- | 25 | P2.1/A9 |
| 4 | P1.2/ECI | 26 | P2.2/A10 |
| 5 | P1.3/CMP0/CEX0 | 27 | P2.3/A11 |
| 6 | P1.4/CMP1/CEX1 | 28 | P2.4/A12 |
| 7 | P1.5/CMP2/CEX2 | 29 | P2.5/A13 |
| 8 | P1.6/CMP3/CEX3 | 30 | P2.6/A14 |
| 9 | P1.7/CEX4 | 31 | P2.7/A15 |
| 10 | RST | 32 | PSEN |
| 11 | RxD/P3.0 | 33 | ALE/PROG |
| 12 | NC* | 34 | NC* |
| 13 | TxD/P3.1 | 35 | EAV _{PP} |
| 14 | INT0/P3.2 | 36 | P0.7/AD7 |
| 15 | INT1/P3.3 | 37 | P0.6/AD6 |
| 16 | T0/P3.4/CMPR- | 38 | P0.5/AD5 |
| 17 | T1/P3.5/CMP1+ | 39 | P0.4/AD4 |
| 18 | WR/P3.6/CMP2+ | 40 | P0.3/AD3 |
| 19 | RD/P3.7/CMP3+ | 41 | P0.2/AD2 |
| 20 | XTAL2 | 42 | P0.1/AD1 |
| 21 | XTAL1 | 43 | P0.0/AD0 |
| 22 | V _{SS} | 44 | V _{CC} |

* DO NOT CONNECT

SU00235

PLASTIC QUAD FLAT PACK PIN FUNCTIONS

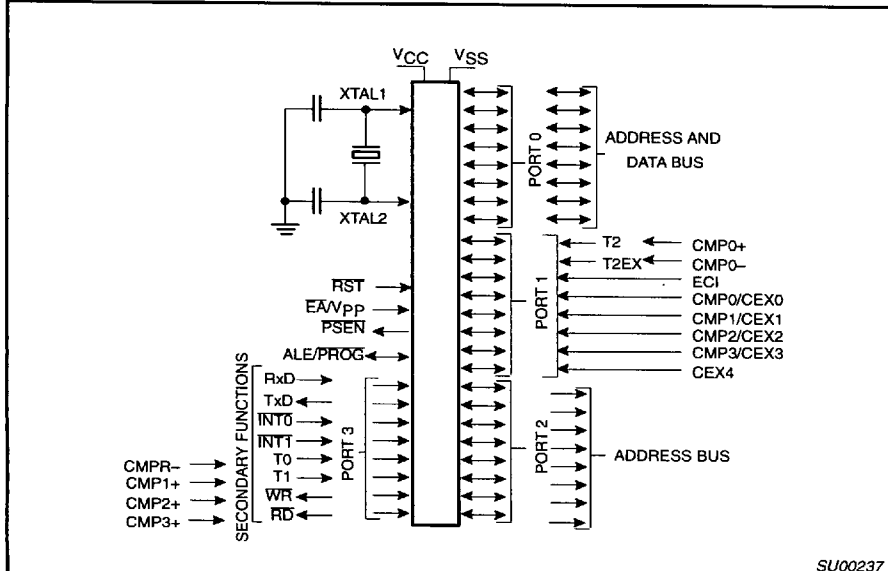


| Pin | Function | Pin | Function |
|-----|-----------------|-----|-------------------|
| 1 | P1.5/CMP2/CEX2 | 23 | P2.5/A13 |
| 2 | P1.6/CMP3/CEX3 | 24 | P2.6/A14 |
| 3 | P1.7/CEX4 | 25 | P2.7/A15 |
| 4 | RST | 26 | PSEN |
| 5 | RxD/P3.0 | 27 | ALE/PROG |
| 6 | NC* | 28 | NC* |
| 7 | TxD/P3.1 | 29 | EAV _{PP} |
| 8 | INT0/P3.2 | 30 | P0.7/AD7 |
| 9 | INT1/P3.3 | 31 | P0.6/AD6 |
| 10 | T0/P3.4/CMPR- | 32 | P0.5/AD5 |
| 11 | T1/P3.5/CMP1+ | 33 | P0.4/AD4 |
| 12 | WR/P3.6/CMP2+ | 34 | P0.3/AD3 |
| 13 | RD/P3.7/CMP3+ | 35 | P0.2/AD2 |
| 14 | XTAL2 | 36 | P0.1/AD1 |
| 15 | XTAL1 | 37 | P0.0/AD0 |
| 16 | V _{SS} | 38 | V _{CC} |
| 17 | NC* | 39 | NC* |
| 18 | P2.0/A8 | 40 | T2/P1.0/CMP0+ |
| 19 | P2.1/A9 | 41 | T2EX/P1.1/CMP0- |
| 20 | P2.2/A10 | 42 | P1.2/ECI |
| 21 | P2.3/A11 | 43 | P1.3/CMP0/CEX0 |
| 22 | P2.4/A12 | 44 | P1.4/CMP1/CEX1 |

* DO NOT CONNECT

SU00236

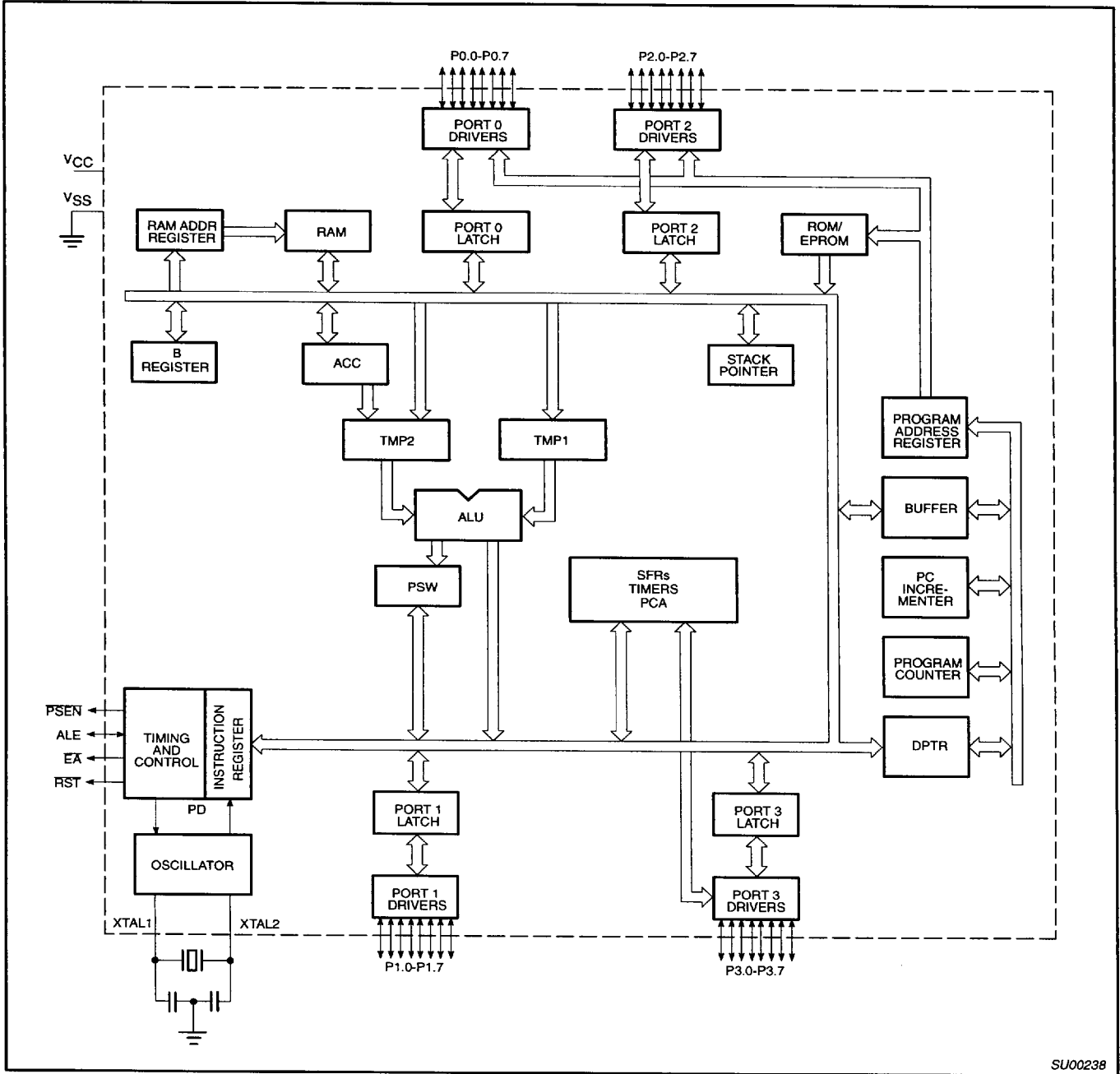
LOGIC SYMBOL



CMOS single-chip 8-bit microcontrollers

80C575/83C575/87C575

BLOCK DIAGRAM



SU00238

CMOS single-chip 8-bit microcontrollers

80C575/83C575/87C575

PIN DESCRIPTIONS

| MNEMONIC | PIN NUMBER | | | TYPE | NAME AND FUNCTION | | | |
|-----------------|------------|--------------|--------------|------|--|--|--|--|
| | DIP | LCC | QFP | | | | | |
| V _{SS} | 20 | 22 | 16 | I | Ground: 0V reference. | | | |
| V _{CC} | 40 | 44 | 38 | I | Power Supply: This is the power supply voltage for normal, idle, and power-down operation. | | | |
| P0.0-0.7 | 39-32 | 43-36 | 37-30 | I/O | Port 0: Port 0 is an open-drain bidirectional I/O port. Port 0 pins that have 1s written to them float and can be used as high-impedance inputs. Port 0 is also the multiplexed low-order address and data bus during accesses to external program and data memory. In this application, it uses strong internal pull-ups when emitting 1s. Port 0 also receives code bytes during EPROM programming and outputs code bytes during program verification. External pull-ups are required during program verification. During reset, port 0 will be asynchronously driven low and will remain low until written to by software. All port 0 pins have Schmitt trigger inputs with 200mV hysteresis. A weak pulldown on port 0 guarantees positive leakage current (see DC Electrical Characteristics: I _{L1}). | | | |
| P1.0-P1.7 | 1-8 | 2-9 | 40-44 1-3 | I/O | Port 1: Port 1 is an 8-bit bidirectional I/O port. Port 1 pins have internal pull-ups such that pins that have 1s written to them can be used as inputs but will source current when externally pulled low (see DC Electrical Characteristics: I _{IL}). Port 1 receives the low-order address byte during program memory verification and EPROM programming. During reset, port 1 will be asynchronously driven low and will remain low until written to by software. All port 1 pins have Schmitt trigger inputs with 50mV hysteresis. Port 1 pins also serve alternate functions as follows: | | | |
| | 1 | 2 | 40 | I/O | P1.0 T2 Timer 2 external I/O – clockout (programmable) | | | |
| | 2 | 3 | 41 | I | P1.1 CMP0+ Comparator 0 positive input | | | |
| | 3 | 4 | 42 | I | P1.1 T2EX Timer 2 capture input | | | |
| | 4 | 5 | 43 | I/O | P1.1 CMP0- Comparator 0 negative input | | | |
| | 5 | 6 | 44 | I/O | P1.2 ECI PCA count input | | | |
| | 6 | 7 | 1 | I/O | P1.3 CEX0 PCA module 0 external I/O | | | |
| | 7 | 8 | 2 | I/O | P1.3 CMP0 Comparator 0 output | | | |
| | 8 | 9 | 3 | I/O | P1.4 CEX1 PCA module 1 external I/O | | | |
| | | | | | P1.4 CMP1 Comparator 1 output | | | |
| P2.0-P2.7 | 21-28 | 24-31 | 18-25 | I/O | Port 2: Port 2 is an 8-bit bidirectional I/O port with internal pull-ups. Port 2 pins that have 1s written to them can be used as inputs, but will source current when externally pulled low (see DC Electrical Characteristics: I _{IL}). Port 2 emits the high-order address byte during accesses to external program and data memory that use 16-bit addresses (MOVX @DPTR). In this application, it uses strong internal pull-ups when emitting 1s. Port 2 receives the high-order address byte during program verification and EPROM programming. During reset, port 2 will be asynchronously driven low and will remain low until written to by software. Port 2 can be made open drain by writing to the P2OD register (AIH). In open drain mode, weak pulldowns on port 2 guarantee positive leakage current (see DC Electrical Characteristics I _{L1}). | | | |
| | | | | | | | | |
| P3.0-P3.7 | 10-17 | 11, 13-19 | 5, 7-13 | I/O | Port 3: Port 3 is an 8-bit bidirectional I/O port with internal pull-ups. Port 3 pins except P3.1 that have 1s written to them can be used as inputs but will source current when externally pulled low (see DC Electrical Characteristics: I _{IL}). P3.1 will be a high impedance pin except while transmitting serial data, in which case the strong pull-up will remain on continuously when outputting a 1 level. The P3.1 output drive level when transmitting can be set to one of two levels by the writing to the P3.1 register bit. During reset all pins (except P3.1) will be asynchronously driven low and will remain low until written to by software. All port 3 pins have Schmitt trigger inputs with 200mV hysteresis, except P3.2 and P3.3, which have 50mV hysteresis. Port 3 pins serve alternate functions as follows: | | | |

CMOS single-chip 8-bit microcontrollers

80C575/83C575/87C575

PIN DESCRIPTIONS (Continued)

| MNEMONIC | PIN NUMBER | | | TYPE | NAME AND FUNCTION |
|------------------------------|------------|-----|-----|------|---|
| | DIP | LCC | QFP | | |
| | 10 | 11 | 5 | I | Port 3: (continued) |
| | 11 | 13 | 7 | O | P3.0 RxD Serial receive port |
| | 12 | 14 | 8 | I | P3.1 TxD Serial transmit port enabled only when transmitting serial data |
| | 13 | 15 | 9 | I | P3.2 INT0 External interrupt 0 |
| | 14 | 16 | 10 | I | P3.3 INT1 External interrupt 1 |
| | 15 | 17 | 11 | I | P3.4 T0 Timer/counter 0 input |
| | 16 | 18 | 12 | O | CMPR- Common - reference to comparators 1, 2, 3 |
| | 17 | 19 | 13 | O | P3.5 T1 Timer/counter 1 input |
| | 18 | 20 | 14 | O | CMP1+ Comparator 1 positive input |
| | 19 | 21 | 15 | I | P3.6 WR External data memory write strobe |
| | 20 | 22 | 16 | O | CMP2+ Comparator 2 positive input |
| | 21 | 23 | 17 | O | P3.7 RD External data memory read strobe |
| | 22 | 24 | 18 | O | CMP3+ Comparator 3 positive input |
| RST | 9 | 10 | 4 | I | Reset: A low on this pin asynchronously resets all port pins to a low state except P3.1. The pin must be held low with the oscillator running for 24 oscillator cycles to initialize the internal registers. An internal diffused resistor to V_{CC} permits a power on reset using only an external capacitor to V_{SS} . RST has a Schmitt trigger input stage to provide additional noise immunity with a slow rising input voltage. |
| ALE/PROG | 30 | 33 | 27 | I/O | Address Latch Enable/Program Pulse: Output pulse for latching the low byte of the address during an access to external memory. In normal operation, ALE is emitted at a constant rate of 1/6 the oscillator frequency, and can be used for external timing or clocking. Note that one ALE pulse is skipped during each access to external data memory. ALE is switched off if the bit 0 in the AUXR register (8EH) is set. This pin is also the program pulse input (PROG) during EPROM programming. |
| PSEN | 29 | 32 | 26 | O | Program Store Enable: The read strobe to external program memory. When the device is executing code from the external program memory, PSEN is activated twice each machine cycle, except that two PSEN activations are skipped during each access to external data memory. PSEN is not activated during fetches from internal program memory. |
| E \bar{A} /V _{PP} | 31 | 35 | 29 | I | External Access Enable/Programming Supply Voltage: E \bar{A} must be externally held low to enable the device to fetch code from external program memory locations 0000H to 1FFFH. If E \bar{A} is held high, the device executes from internal program memory unless the program counter contains an address greater than 1FFFH. This pin also receives the 12.75V programming supply voltage (V _{PP}) during EPROM programming. |
| XTAL1 | 19 | 21 | 15 | I | Crystal 1: Input to the inverting oscillator amplifier and input to the internal clock generator circuits. |
| XTAL2 | 18 | 20 | 14 | O | Crystal 2: Output from the inverting oscillator amplifier. |

CMOS single-chip 8-bit microcontrollers

80C575/83C575/87C575

Table 1. 87C575 Special Function Registers

| SYMBOL | DESCRIPTION | DIRECT ADDRESS | BIT ADDRESS, SYMBOL, OR ALTERNATIVE PORT FUNCTION | | | | | | | | RESET VALUE |
|---------|------------------------|----------------|---|--------|--------|--------|-------|-------|-------|-------|-------------|
| | | | MSB | | | | LSB | | | | |
| ACC* | Accumulator | E0H | E7 | E6 | E5 | E4 | E3 | E2 | E1 | E0 | 00H |
| AUXR# | Auxiliary | 8EH | — | — | — | — | — | — | LO | AO | xxxxxx00B |
| B* | B register | F0H | F7 | F6 | F5 | F4 | F3 | F2 | F1 | F0 | 00H |
| CCAP0H# | Module 0 Capture High | FAH | | | | | | | | | xxxxxxxxB |
| CCAP1H# | Module 1 Capture High | FBH | | | | | | | | | xxxxxxxxB |
| CCAP2H# | Module 2 Capture High | FCH | | | | | | | | | xxxxxxxxB |
| CCAP3H# | Module 3 Capture High | FDH | | | | | | | | | xxxxxxxxB |
| CCAP4H# | Module 4 Capture High | FEH | | | | | | | | | xxxxxxxxB |
| CCAP0L# | Module 0 Capture Low | EAH | | | | | | | | | xxxxxxxxB |
| CCAP1L# | Module 1 Capture Low | EBH | | | | | | | | | xxxxxxxxB |
| CCAP2L# | Module 2 Capture Low | ECH | | | | | | | | | xxxxxxxxB |
| CCAP3L# | Module 3 Capture Low | EDH | | | | | | | | | xxxxxxxxB |
| CCAP4L# | Module 4 Capture Low | EEH | | | | | | | | | xxxxxxxxB |
| CCAPM0# | Module 0 Mode | DAH | — | ECOM | CAPP | CAPN | MAT | TOG | PWM | ECCF | x0000000B |
| CCAPM1# | Module 1 Mode | DBH | — | ECOM | CAPP | CAPN | MAT | TOG | PWM | ECCF | x0000000B |
| CCAPM2# | Module 2 Mode | DCH | — | ECOM | CAPP | CAPN | MAT | TOG | PWM | ECCF | x0000000B |
| CCAPM3# | Module 3 Mode | DDH | — | ECOM | CAPP | CAPN | MAT | TOG | PWM | ECCF | x0000000B |
| CCAPM4# | Module 4 Mode | DEH | — | ECOM | CAPP | CAPN | MAT | TOG | PWM | ECCF | x0000000B |
| CCON*# | PCA Counter Control | D8H | DF | DE | DD | DC | DB | DA | D9 | D8 | 00x00000B |
| CH# | PCA Counter High | F9H | CF | CR | — | CCF4 | CCF3 | CCF2 | CCF1 | CCF0 | |
| CL# | PCA Counter Low | E9H | | | | | | | | | |
| CMOD# | PCA Counter Mode | D9H | CIDL | WDTE | — | — | — | CPS1 | CPS0 | ECF | 00xxx000B |
| CMP*# | Comparator | E8H | EF | EE | ED | EC | EB | EA | E9 | E8 | 00H |
| CMPE# | Comparator Enable | 91H | EC3DP | EC2DP | EC1DP | EC0DP | C3RO | C2RO | C1RO | C0RO | |
| | | | EC3TDC | EC2TDC | EC1TDC | EC0TDC | EC3OD | EC2OD | EC1OD | EC0OD | 00H |
| DPTR: | Data Pointer (2 bytes) | | | | | | | | | | 00H |
| DPH | Data Pointer High | 83H | | | | | | | | | |
| DPL | Data Pointer Low | 82H | | | | | | | | | 00H |
| IE* | Interrupt Enable | A8H | AF | AE | AD | AC | AB | AA | A9 | A8 | 00H |
| | | | EA | EC | ET2 | ES | ET1 | EX1 | ET0 | EX0 | |
| IP* | Interrupt Priority | B8H | BF | BE | BD | BC | BB | BA | B9 | B8 | x0000000B |
| | | | — | PPC | PT2 | PS | PT1 | PX1 | PT0 | PX0 | |
| P0* | Port 0 | 80H | 87 | 86 | 85 | 84 | 83 | 82 | 81 | 80 | 00H |
| | | | AD7 | AD6 | AD5 | AD4 | AD3 | AD2 | AD1 | AD0 | |
| P1* | Port 1 | 90H | 97 | 96 | 95 | 94 | 93 | 92 | 91 | 90 | 00H |
| | | | CEX4 | CEX3 | CEX2 | CEX1 | CEX0 | EXI | T2EX | T2 | |
| P2* | Port 2 | A0H | A7 | A6 | A5 | A4 | A3 | A2 | A1 | A0 | 00H |
| | | | AD15 | AD14 | AD13 | AD12 | AD11 | AD10 | AD9 | AD8 | |
| P3* | Port 3 | B0H | B7 | B6 | B5 | B4 | B3 | B2 | B1 | B0 | 00H |
| | | | RD | WR | T1 | T0 | INT1 | INT0 | TxD | RxD | |

* SFRs are bit addressable.

SFRs are modified from or added to the 80C51 SFRs.

CMOS single-chip 8-bit microcontrollers

80C575/83C575/87C575

Table 1. 87C575 Special Function Registers (Continued)

| SYMBOL | DESCRIPTION | DIRECT ADDRESS | BIT ADDRESS, SYMBOL, OR ALTERNATIVE PORT FUNCTION | | | | | | | | RESET VALUE |
|----------|------------------------|----------------|---|-------|------------------|------------------|------------------|-------|-------------------|--------|-------------|
| | | | MSB | | | | | | | LSB | |
| P2OD# | Port 2 Pullup Disable | A1H | | | | | | | | | 00H |
| PCON# | Power Control | 87H | SMOD1 | SMOD0 | OSF ¹ | POF ¹ | LVF ¹ | GF0 | PD | IDL | 00xxx000B |
| | | | D7 | D6 | D5 | D4 | D3 | D2 | D1 | D0 | |
| PSW* | Program Status Word | D0H | CY | AC | F0 | RS1 | RS0 | OV | – | P | 00H |
| RACAP2H# | Timer 2 Capture High | CBH | | | | | | | | | 00H |
| RACAP2L# | Timer 2 Capture Low | CAH | | | | | | | | | 00H |
| SADDR# | Slave Address | A9H | | | | | | | | | 00H |
| SADEN# | Slave Address Mask | B9H | | | | | | | | | 00H |
| SBUF | Serial Data Buffer | 99H | | | | | | | | | xxxxxxxxB |
| | | | 9F | 9E | 9D | 9C | 9B | 9A | 99 | 98 | |
| SCON* | Serial Control | 98H | SM0 | SM1 | SM2 | REN | TB8 | RB8 | TI | RI | 00H |
| SP | Stack Pointer | 81H | | | | | | | | | 07H |
| | | | 8F | 8E | 8D | 8C | 8B | 8A | 89 | 88 | |
| TCON* | Timer Control | 88H | TF1 | TR1 | TF0 | TR0 | IE1 | IT1 | IE0 | IT0 | 00H |
| | | | CF | CE | CD | CC | CB | CA | C9 | C8 | |
| T2CON* | Timer 2 Control | C8H | TF2 | EXF2 | RCLK | TCLK | EXEN2 | TR2 | C/T2 | CP/RL2 | 00H |
| T2MOD# | Timer 2 Mode Control | C9H | – | – | – | – | – | – | T2OE ² | DCEN | xxxxxxxx0B |
| TH0 | Timer High 0 | 8CH | | | | | | | | | 00H |
| TH1 | Timer High 1 | 8DH | | | | | | | | | 00H |
| TH2# | Timer High 2 | CDH | | | | | | | | | 00H |
| TL0 | Timer Low 0 | 8AH | | | | | | | | | 00H |
| TL1 | Timer Low 1 | 8BH | | | | | | | | | 00H |
| TL2# | Timer Low 2 | CCH | | | | | | | | | 00H |
| TMOD | Timer Mode | 89H | GATE | C/T | M1 | M0 | GATE | C/T | M1 | M0 | 00H |
| | | | C7 | C6 | C5 | C4 | C3 | C2 | C1 | C0 | |
| WDCON# | Watchdog Timer Control | C0H | PRE2 | PRE1 | PRE0 | LVRE | OFRE | WDRUN | WDT0F | WDMOD | 11111101B |
| WDL# | Watchdog Timer Reload | C1H | | | | | | | | | 00H |
| WFEEED1# | Watchdog Feed 1 | C2H | | | | | | | | | xxH |
| WFEEED2# | Watchdog Feed 2 | C3H | | | | | | | | | xxH |

* SFRs are bit addressable.

SFRs are modified from or added to the 80C51 SFRs.

1. Reset value depends on reset source.

2. Programmable clock-out.

CMOS single-chip 8-bit microcontrollers

80C575/83C575/87C575

POWER ON CLEAR/ POWER ON FLAG

An on-chip Power On Detect Circuit resets the 8XC575 and sets the Power Off Flag (PCON.4) on power up or if V_{CC} drops to zero momentarily. The POF can only be cleared by software. The RST pin is not driven by the power on detect circuit. The POF can be read by software to determine that a power failure has occurred and can also be set by software.

LOW VOLTAGE DETECT

An on-chip Low Voltage Detect circuit sets the Low Voltage Flag (PCON.3) if V_{CC} drops below V_{LOW} (see DC Electrical Characteristics) and resets the 8XC575 if the Low Voltage Reset Enable bit (WDCON.4) is set. If the LVRE is cleared, the reset is disabled but LVF will still be set if V_{CC} is low. The RST pin is not driven by the low voltage detect circuit. The LVF can be read by software to determine that V_{CC} was low. The LVF can be set or cleared by software.

OSCILLATOR FAIL DETECT

An on-chip Oscillator Fail Detect circuit sets the Oscillator Fail Flag (PCON.5) if the oscillator frequency drops below OSCF for one or more cycles (see AC Electrical Characteristics: OSCF) and resets the 8XC575 if the Oscillator Fail Reset Enable bit (WDCON.3) is set. If OFRE is cleared, the reset is disabled but OSF will still be set if the oscillator fails. The RST pin is not driven by the oscillator fail detect circuit. The OSF can be read by software to determine that an oscillator failure has occurred. The OSF can be set or cleared by software.

LOW ACTIVE RESET

One of the most notable features on this part is the low active reset. At this time this is the only 80C51 derivative available that has low active reset. This feature makes it easier to interface the 8XC575 into an application to accommodate the power-on and low voltage conditions that can occur. The low active reset operates exactly the same as high active reset with the exception that the part is put into the reset mode by applying a low level to the reset pin. For power-on reset it is also necessary to invert the power-on reset circuit; connecting the 8.2K resistor from the reset pin to V_{CC} and the 10 μ f capacitor from the reset pin to ground. Figure 1 shows all of the reset related circuitry.

When reset the port pins on the 87C575 are driven low asynchronously. This is different from all other 80C51 derivatives.

The 8XC575 also has Low voltage detection circuitry that will, if enabled, force the part to reset when V_{CC} (on the part) fails below a set level. Low Voltage Reset is enabled by a normal reset. Low Voltage Reset can be disabled by clearing LVRE (bit 4 in the WDCON SFR) then executing a watchdog feed sequence (A5H to WFEED1 followed immediately by 5A to WFEED2). In addition there is a flag (LVF) that is set if a low voltage condition is detected. The LVF flag is set even if the Low Voltage detection circuitry is disabled. Notice that the Low voltage detection circuitry does not drive the RST# pin so the LVF flag is the only way that the microcontroller can determine if it has been reset due to a low voltage condition.

The 8XC575 has an on-chip power-on detection circuit that sets the POF (PCON.4) flag on power up or if the V_{CC} level momentarily drops to 0V. This flag can be used to determine if the part is being started from a power-on (cold start) or if a reset has occurred due to another condition (warm start).

TIMERS

The 87C575 has four on-chip timers.

Timers 0 and 1 are identical in every way to Timers 0 and 1 on the 80C51.

Timer 2 on the 8XC575 is identical to the 80C52 Timer 2 (described in detail in the 80C52 overview) with the exception that it is an up or down counter. To configure the Timer to count down the DCEN bit in the T2MOD special function register must be set and a low level must be present on the T2EX pin (P1.1).

The Watchdog timer operation and implementation is the same as that for the 8XC550 (described in the 8XC550 overview) with the exception that the reset values of the WDCON and WDL special function registers have been changed. The changes in these registers cause the watchdog timer to be enabled with a timeout of $98304 \times T_{OSC}$ when the part is reset. The watchdog can be disabled by executing a valid feed sequence and then clearing WDRUN (bit 2 in the WDCON SFR).

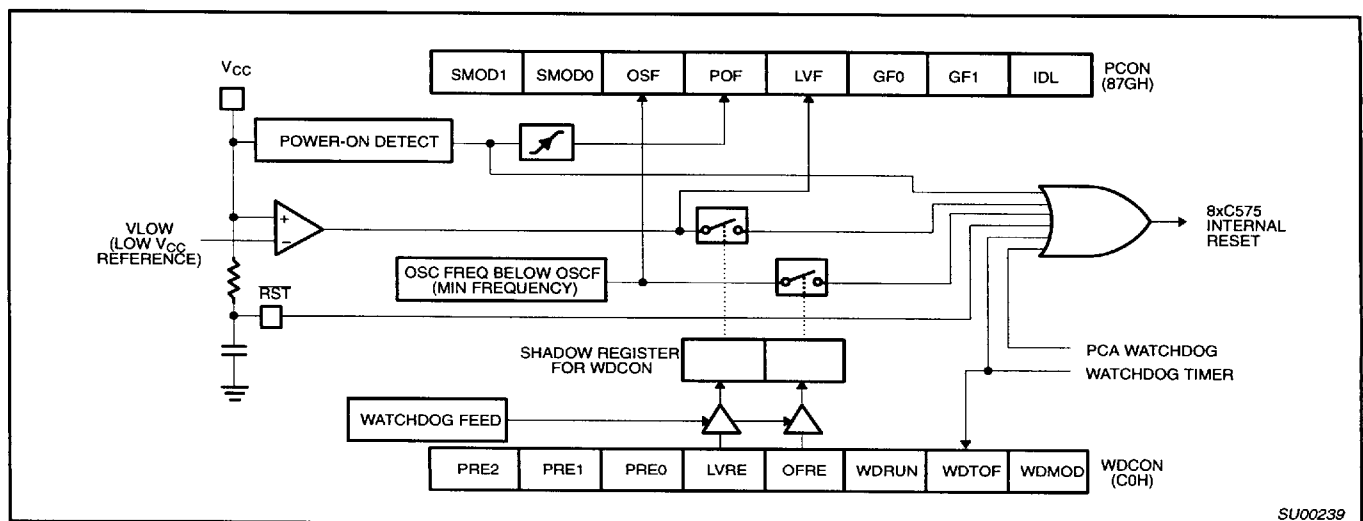


Figure 1. Reset Circuitry

CMOS single-chip 8-bit microcontrollers

80C575/83C575/87C575

PROGRAMMABLE COUNTER ARRAY (PCA)

The Programmable Counter Array is a special Timer that has five 16-bit capture/compare modules associated with it. Each of the modules can be programmed to operate in one of four modes: rising and/or falling edge capture, software timer, high-speed output, or pulse width modulator. Each module has a pin associated with it in port 1. Module 0 is connected to P1.3(CEX0), module 1 to P1.4(CEX1), etc.. The basic PCA configuration is shown in Figure 2.

The PCA timer is a common time base for all five modules and can be programmed to run at: 1/12 the oscillator frequency, 1/4 the oscillator frequency, the Timer 0 overflow, or the input on the ECI pin (P1.2). The timer count source is determined from the CPS1 and CPS0 bits in the CMOD SFR as follows (see Figure 3):

| CPS1 | CPS0 | PCA Timer Count Source |
|------|------|---------------------------|
| 0 | 0 | 1/12 oscillator frequency |
| 0 | 1 | 1/4 oscillator frequency |
| 1 | 0 | Timer 0 overflow |
| 1 | 1 | External Input at ECI pin |

In the CMOD SFR are three additional bits associated with the PCA. They are CIDL which allows the PCA to stop during idle mode, WDTE which enables or disables the watchdog function on module 4, and ECF which when set causes an interrupt and the PCA overflow flag CF (in the CCON SFR) to be set when the PCA timer overflows. These functions are shown in Figure 3.

The watchdog timer function is implemented in module 4 as implemented in other parts that have a PCA that are available on the market. However, if a watchdog timer is required in the target application, it is recommended to use the hardware watchdog timer that is implemented on the 87C575 separately from the PCA (see Figure 14).

The CCON SFR contains the run control bit for the PCA and the flags for the PCA timer (CF) and each module (refer to Figure 6). To run the PCA the CR bit (CCON.6) must be set by software. The PCA is shut off by clearing this bit. The CF bit (CCON.7) is set when the PCA counter overflows and an interrupt will be generated if the ECF bit in the CMOD register is set. The CF bit can only be cleared by software. Bits 0 through 4 of the CCON register are the flags for the modules (bit 0 for module 0, bit 1 for module 1, etc.) and are set by hardware when either a match or a capture occurs. These flags also can only be cleared by software. The PCA interrupt system shown in Figure 4.

Each module in the PCA has a special function register associated with it. These registers are: CCAPM0 for module 0, CCAPM1 for module 1, etc. (see Figure 7). The registers contain the bits that control the mode that each module will operate in. The ECCFn bit (CCAPMn.0 where n=0, 1, 2, 3, or 4 depending on the module) enables the CCF flag in the CCON SFR to generate an interrupt when a match or compare occurs in the associated module. PWM (CCAPMn.1) enables the pulse width modulation mode. The TOG bit (CCAPMn.2) when set causes the CEX output associated with the module to toggle when there is a match between the PCA counter and the module's capture/compare register. The match bit MAT (CCAPMn.3) when set will cause the CCFn bit in the CCON register to be set when there is a match between the PCA counter and the module's capture/compare register.

The next two bits CAPN (CCAPMn.4) and CAPP (CCAPMn.5) determine the edge that a capture input will be active on. The CAPN bit enables the negative edge, and the CAPP bit enables the positive edge. If both bits are set both edges will be enabled and a capture will occur for either transition. The last bit in

the register ECOM (CCAPMn.6) when set enables the comparator function. Figure 8 shows the CCAPMn settings for the various PCA functions.

There are two additional registers associated with each of the PCA modules. They are CCAPnH and CCAPnL and these are the registers that store the 16-bit count when a capture occurs or a compare should occur. When a module is used in the PWM mode these registers are used to control the duty cycle of the output.

PCA Capture Mode

To use one of the PCA modules in the capture mode either one or both of the CCAPM bits CAPN and CAPP for that module must be set. The external CEX input for the module (on port 1) is sampled for a transition. When a valid transition occurs the PCA hardware loads the value of the PCA counter registers (CH and CL) into the module's capture registers (CCAPnL and CCAPnH). If the CCFn bit for the module in the CCON SFR and the ECCFn bit in the CCAPMn SFR are set then an interrupt will be generated. Refer to Figure 9.

16-bit Software Timer Mode

The PCA modules can be used as software timers by setting both the ECOM and MAT bits in the modules CCAPMn register. The PCA timer will be compared to the module's capture registers and when a match occurs an interrupt will occur if the CCFn (CCON SFR) and the ECCFn (CCAPMn SFR) bits for the module are both set (see Figure 10).

High Speed Output Mode

In this mode the CEX output (on port 1) associated with the PCA module will toggle each time a match occurs between the PCA counter and the module's capture registers. To activate this mode the TOG, MAT, and ECOM bits in the module's CCAPMn SFR must be set (see Figure 11).

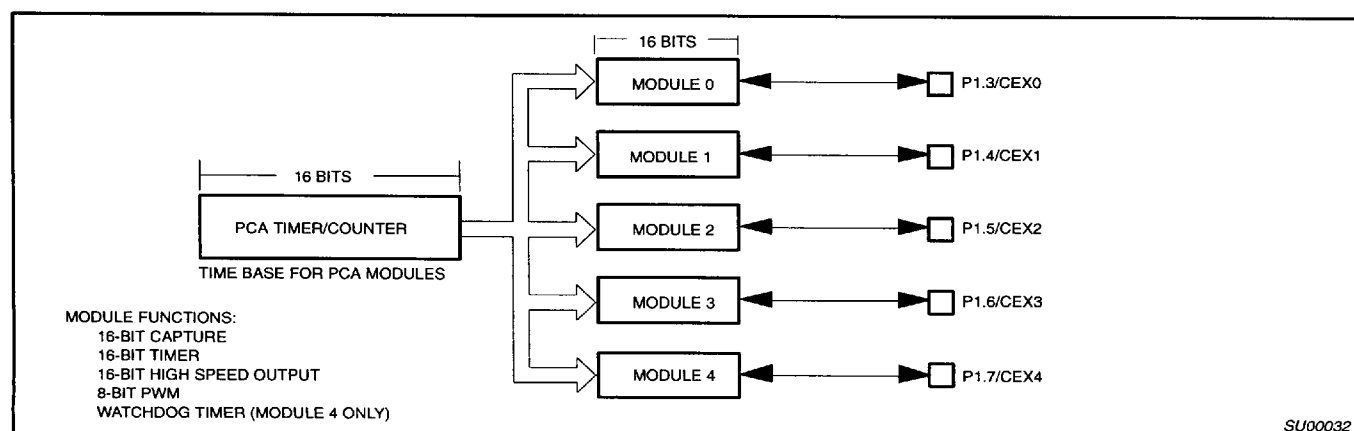


Figure 2. Programmable Counter Array (PCA)

CMOS single-chip 8-bit microcontrollers

80C575/83C575/87C575

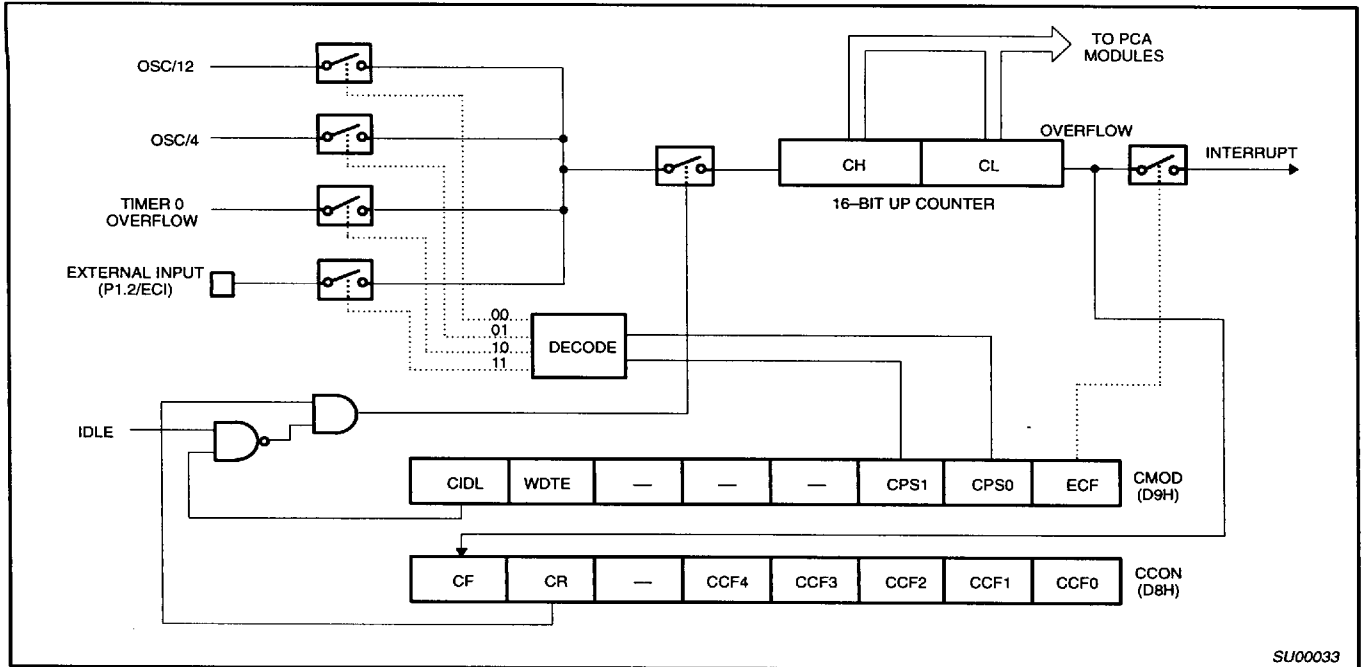


Figure 3. PCA Timer/Counter

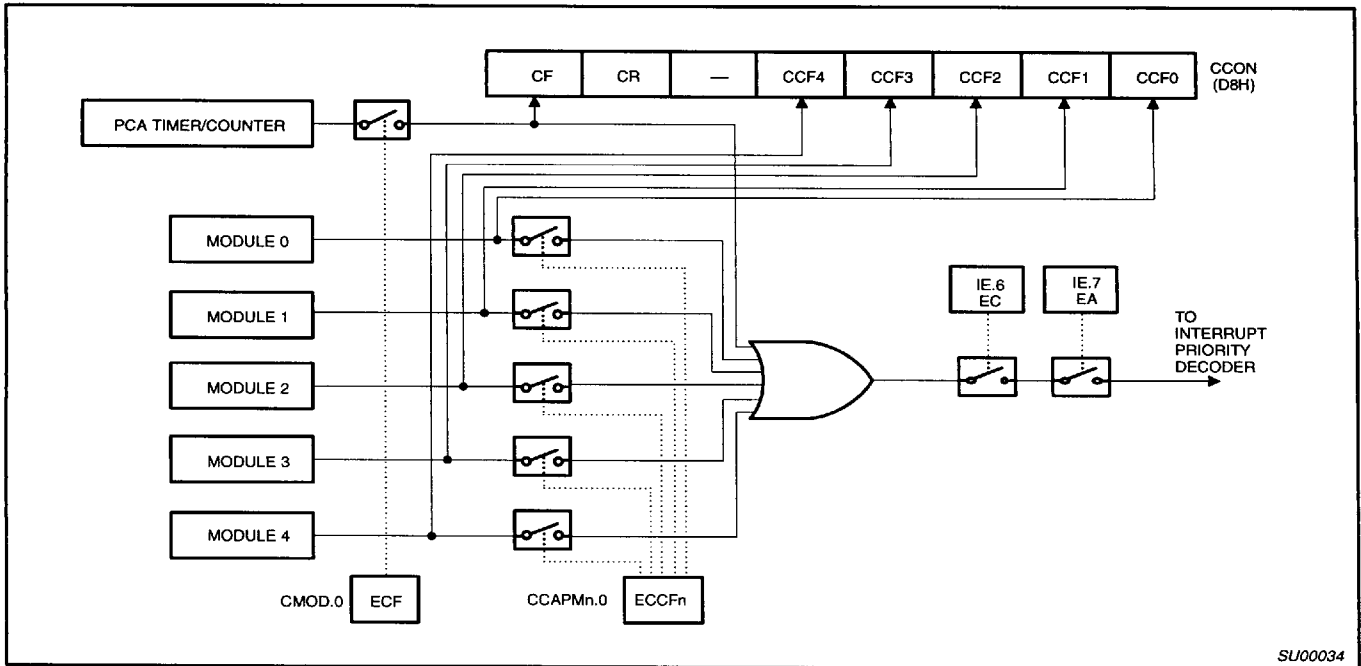


Figure 4. PCA Interrupt System

CMOS single-chip 8-bit microcontrollers

80C575/83C575/87C575

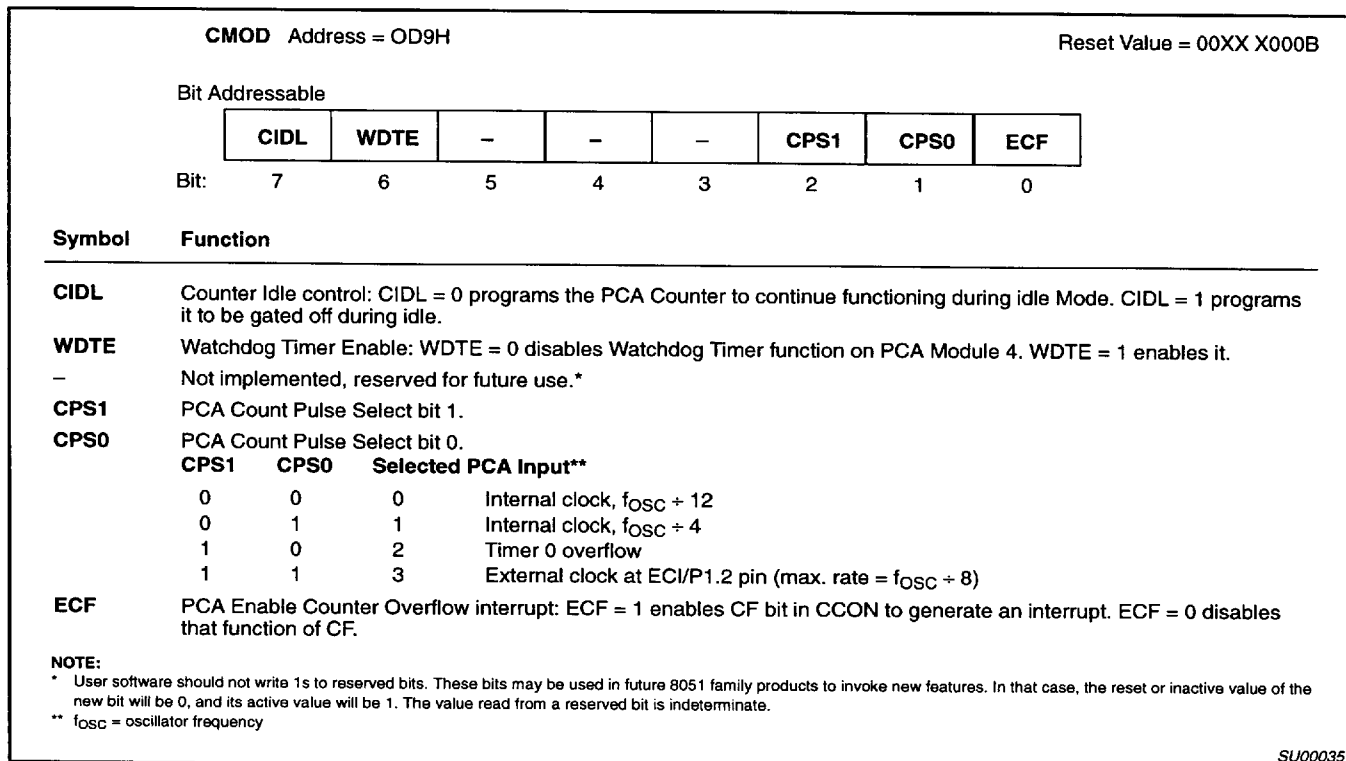


Figure 5. CMOD: PCA Counter Mode Register

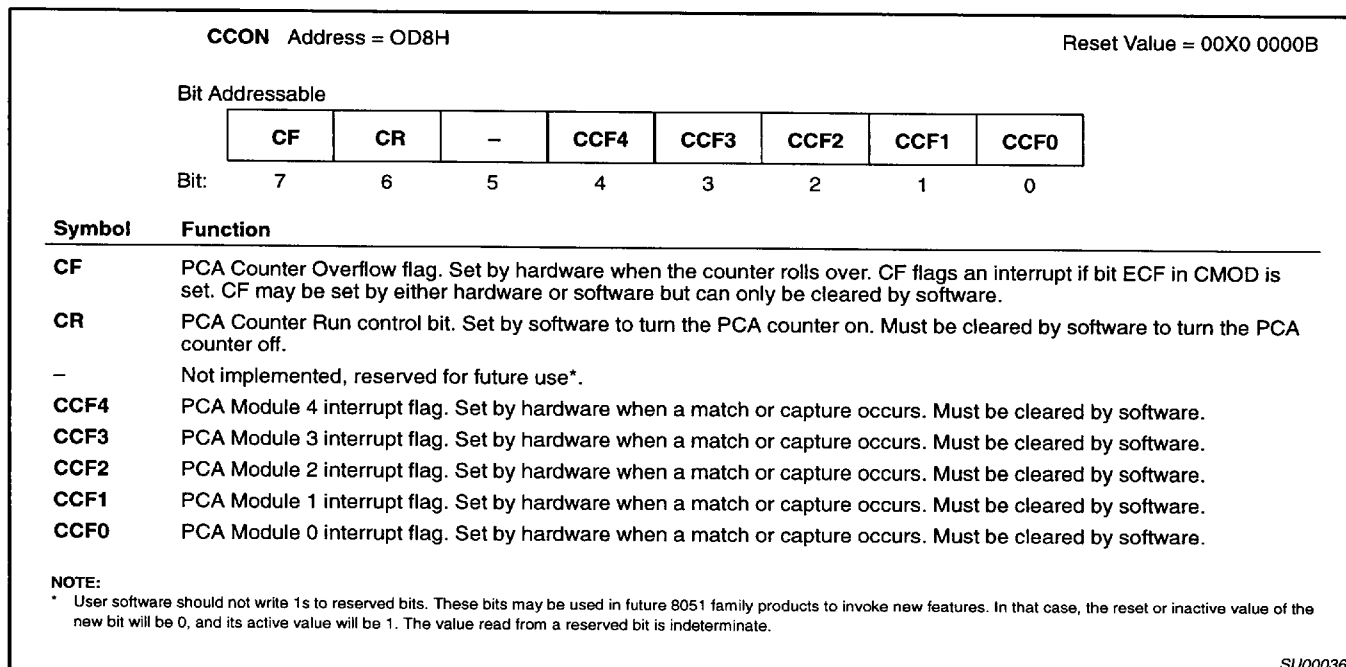


Figure 6. CCON: PCA Counter Control Register

CMOS single-chip 8-bit microcontrollers

80C575/83C575/87C575

| | | | | | | | | |
|---|--|-------|-------|-------|------|------|------|--------------------------|
| CCAPMn Address | CCAPM0 | 0DAH | | | | | | Reset Value = X000 0000B |
| | CCAPM1 | 0DBH | | | | | | |
| | CCAPM2 | 0DCH | | | | | | |
| | CCAPM3 | 0DDH | | | | | | |
| | CCAPM4 | 0DEH | | | | | | |
| Not Bit Addressable | | | | | | | | |
| | - | ECOMn | CAPPn | CAPNn | MATn | TOGn | PWMn | ECCFn |
| Bit: | 7 | 6 | 5 | 4 | 3 | 2 | 1 | 0 |
| Symbol | Function | | | | | | | |
| - | Not implemented, reserved for future use*. | | | | | | | |
| ECOMn | Enable Comparator. ECOMn = 1 enables the comparator function. | | | | | | | |
| CAPPn | Capture Positive, CAPPn = 1 enables positive edge capture. | | | | | | | |
| CAPNn | Capture Negative, CAPNn = 1 enables negative edge capture. | | | | | | | |
| MATn | Match. When MATn = 1, a match of the PCA counter with this module's compare/capture register causes the CCFn bit in CCON to be set, flagging an interrupt. | | | | | | | |
| TOGn | Toggle. When TOGn = 1, a match of the PCA counter with this module's compare/capture register causes the CEXn pin to toggle. | | | | | | | |
| PWMn | Pulse Width Modulation Mode. PWMn = 1 enables the CEXn pin to be used as a pulse width modulated output. | | | | | | | |
| ECCFn | Enable CCF interrupt. Enables compare/capture flag CCFn in the CCON register to generate an interrupt. | | | | | | | |
| NOTE: | | | | | | | | |
| *User software should not write 1s to reserved bits. These bits may be used in future 8051 family products to invoke new features. In that case, the reset or inactive value of the new bit will be 0, and its active value will be 1. The value read from a reserved bit is indeterminate. | | | | | | | | |

SU00037

Figure 7. CCAPMn: PCA Modules Compare/Capture Registers

| - | ECOMn | CAPPn | CAPNn | MATn | TOGn | PWMn | ECCFn | MODULE FUNCTION |
|---|-------|-------|-------|------|------|------|-------|---|
| X | 0 | 0 | 0 | 0 | 0 | 0 | 0 | No operation |
| X | X | 1 | 0 | 0 | 0 | 0 | X | 16-bit capture by a positive-edge trigger on CEXn |
| X | X | 0 | 1 | 0 | 0 | 0 | X | 16-bit capture by a negative trigger on CEXn |
| X | X | 1 | 1 | 0 | 0 | 0 | X | 16-bit capture by a transition on CEXn |
| X | 1 | 0 | 0 | 1 | 0 | 0 | X | 16-bit Software Timer |
| X | 1 | 0 | 0 | 1 | 1 | 0 | X | 16-bit High Speed Output |
| X | 1 | 0 | 0 | 0 | 0 | 1 | 0 | 8-bit PWM |
| X | 1 | 0 | 0 | 1 | X | 0 | X | Watchdog Timer |

Figure 8. PCA Module Modes (CCAPMn Register)

CMOS single-chip 8-bit microcontrollers

80C575/83C575/87C575

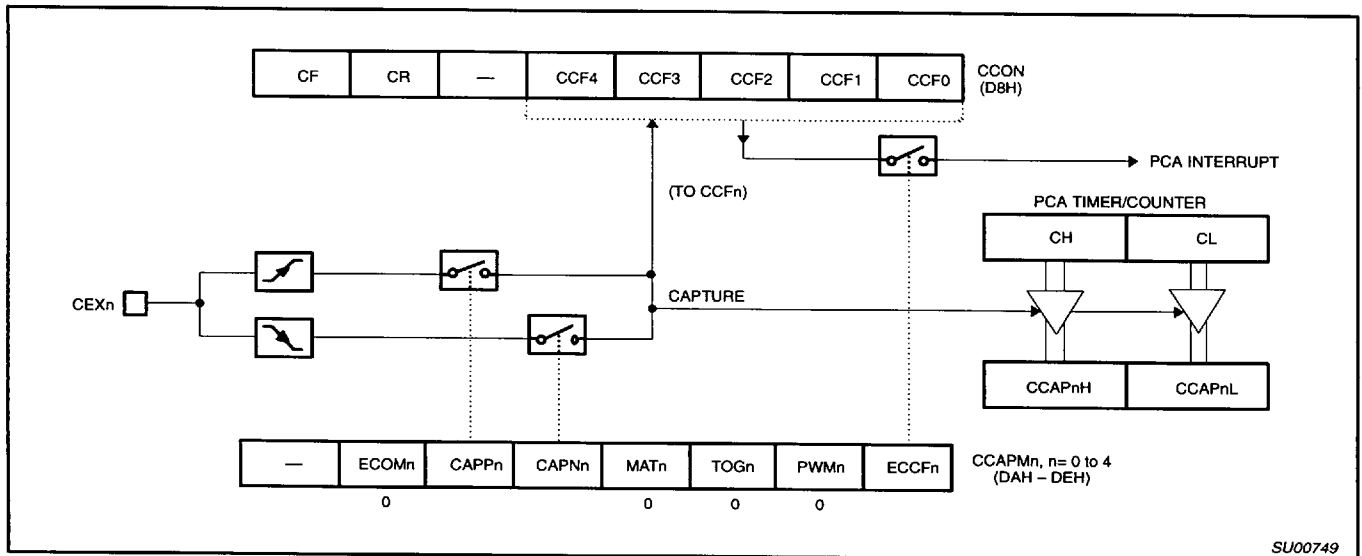


Figure 9. PCA Capture Mode

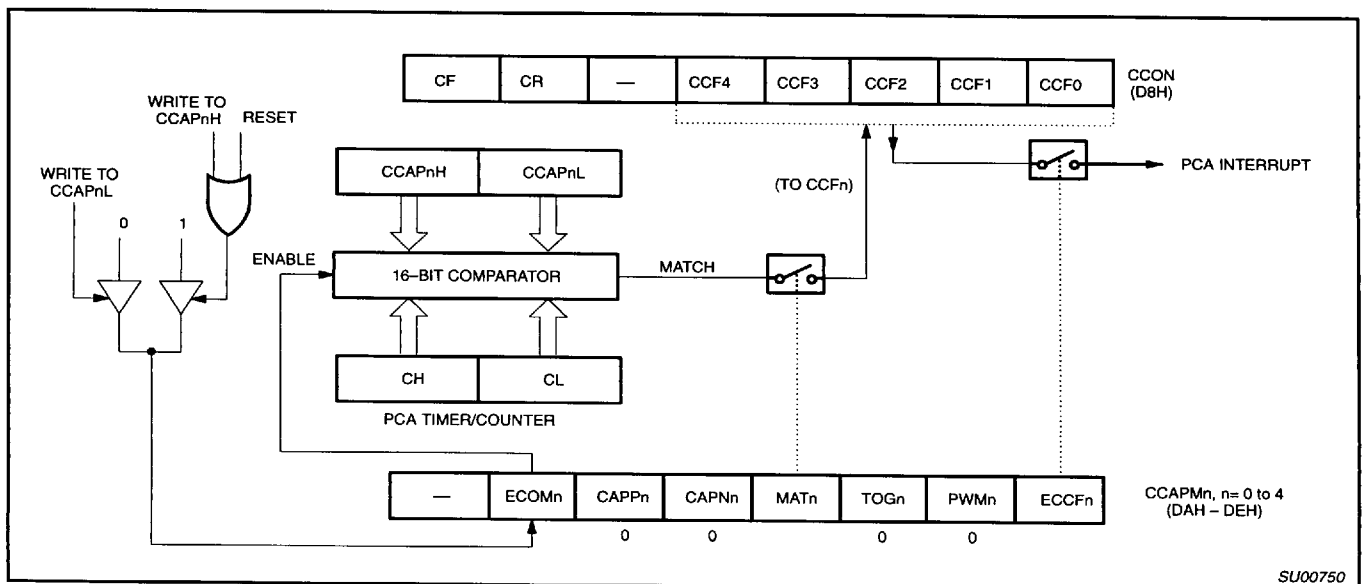


Figure 10. PCA Compare Mode

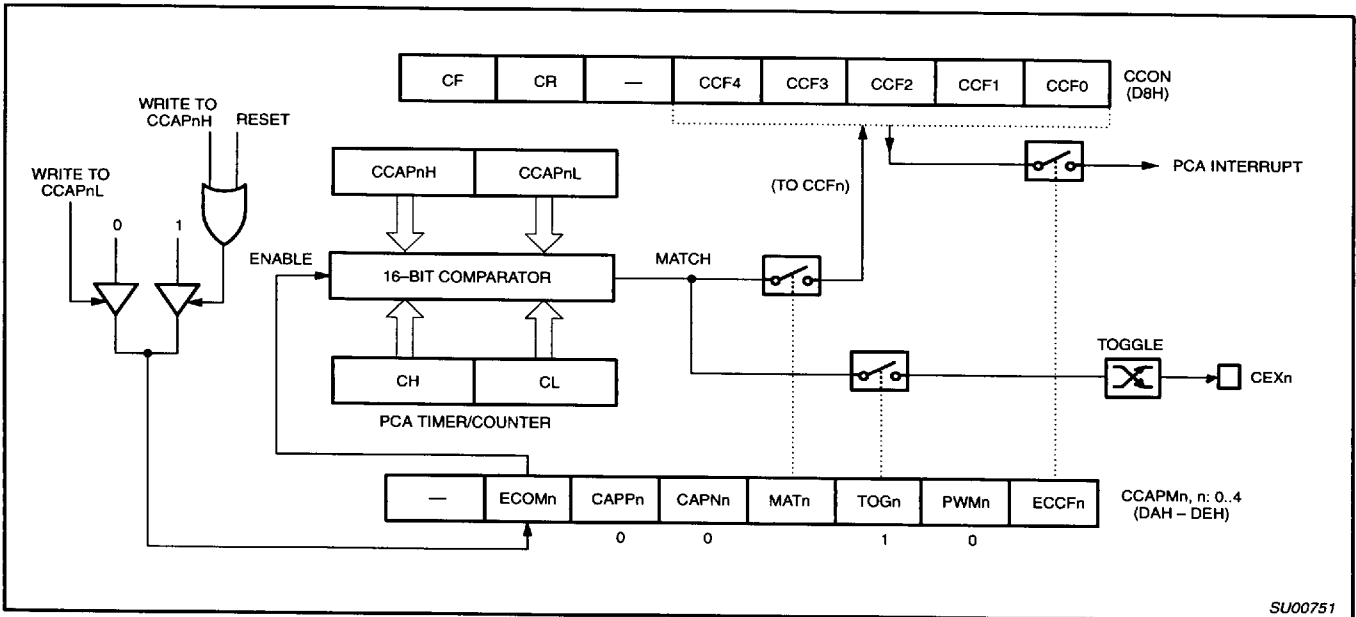


Figure 11. PCA High Speed Output Mode

Pulse Width Modulator Mode

All of the PCA modules can be used as PWM outputs. Figure 12 shows the PWM function. The frequency of the output depends on the source for the PCA timer. All of the modules will have the same frequency of output because they all share the PCA timer. The duty cycle of each module is independently variable using the module's capture register CCAPLn. When the value of the PCA CL SFR is less than the value in the module's CCAPLn SFR the output will be low, when it is equal to or greater than the output will be high. When CL overflows from FF to 00, CCAPLn is reloaded with the value in CCAPHn. The PWM and ECOM bits in the module's CCAPMn register must be set to enable the PWM mode.

WATCHDOG TIMER

The watchdog timer is not directly loadable by the user. Instead, the value to be loaded into the main timer is held in an autoloader register or is part of the mask ROM programming. In order to cause the main timer to be loaded with the appropriate value, a special sequence of software action must take place. This operation is referred to as feeding the watchdog timer.

To feed the watchdog, two instructions must be sequentially executed successfully. No

intervening instruction fetches are allowed, so interrupts should be disabled before feeding the watchdog. The instructions should move A5H to the WFEED1 register and then 5AH to the WFEED2 register. If WFEED1 is correctly loaded and WFEED2 is not correctly loaded, then an immediate underflow will occur.

The watchdog timer subsystem has two modes of operation. Its principal function is a watchdog timer. In this mode it protects the system from incorrect code execution by causing a system reset when the watchdog timer underflows as a result of a failure of software to feed the timer prior to the timer reaching its terminal count. If the user does not employ the watchdog function, the watchdog subsystem can be used as a timer. In this mode, reaching the terminal count sets a flag. In most other respects, the timer mode possesses the characteristics of the watchdog mode. This is done to protect the integrity of the watchdog function.

The watchdog timer subsystem consists of a prescaler and a main counter. The prescaler has 8 selectable taps off the final stages and the output of a selected tap provides the clock to the main counter. The main counter is the section that is loaded as a result of the software feeding the watchdog and it is the section that causes the system reset

(watchdog mode) or time-out flag to be set (timer mode) if allowed to reach its terminal count.

Programming the Watchdog Timer

Both the EPROM and ROM devices have a set of SFRs for holding the watchdog autoloader values and the control bits. The watchdog time-out flag is present in the watchdog control register and operates the same in all versions. In the EPROM device, the watchdog parameters (autoloader value and control) are always taken from the SFRs. In the ROM device, the watchdog parameters can be mask programmed or taken from the SFRs. The selection to take the watchdog parameters from the SFRs or from the mask programmed values is controlled by EA (external access). When EA is high (internal ROM access), the watchdog parameters are taken from the mask programmed values. If the watchdog is mask programmed to the timer mode, then the autoloader values and the pre-scaler taps are taken from the SFRs. When EA is low (external access), the watchdog parameters are taken from the SFRs. The user should be able to leave code in his program which initializes the watchdog SFRs even though he has migrated to the mask ROM part. This allows no code changes from EPROM prototyping to ROM coded production parts.

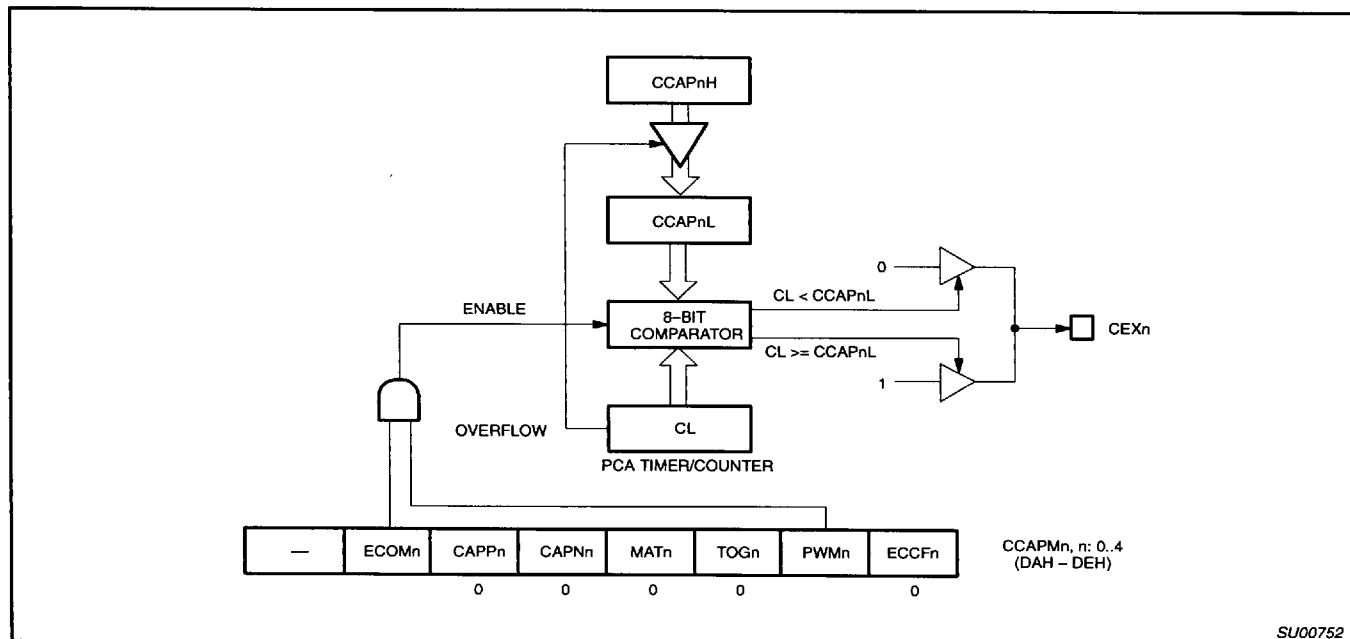


Figure 12. PCA PWM Mode

Watchdog Detailed Operation

EPROM Device (and ROMless Operation: EA = 0)

In the ROMless operation (ROM part, EA = 0) and in the EPROM device, the watchdog operates in the following manner (see Figure 14).

Whether the watchdog is in the watchdog or timer mode, when external RESET is applied, the following takes place:

- Watchdog mode bit set to watchdog mode.
- Watchdog run control bit set to ON.
- Autoload register set to 00 (min. count).
- Watchdog time-out flag cleared.
- Prescaler is cleared.
- Prescaler tap set to the highest divide.
- Autoload takes place.

The watchdog can be fed even though it is in the timer mode.

Note that the operational concept is for the watchdog mode of operation, when coming out of a hardware reset, the software should load the autoload registers, set the mode to watchdog, and then feed the watchdog (cause an autoload). The watchdog will now be starting at a known point.

If the watchdog is in the watchdog mode and running and happens to underflow at the time

the external RESET is applied, the watchdog time-out flag will be cleared.

When the watchdog is in the watchdog mode and the watchdog underflows, the following action takes place (see Figure 16):

- Autoload takes place.
- Watchdog time-out flag is set
- Mode bit unchanged.
- Watchdog run bit unchanged.
- Autoload register unchanged.
- Prescaler tap unchanged.
- All other device action same as external reset.

Note that if the watchdog underflows, the program counter will start from 00H as in the case of an external reset. The watchdog time-out flag can be examined to determine if the watchdog has caused the reset condition. The watchdog time-out flag bit can be cleared by software.

When the watchdog is in the timer mode and the timer software underflows, the following action takes place:

- Autoload takes place.
- Watchdog time-out flag is set
- Mode bit unchanged.
- Watchdog run bit unchanged.

- Autoload register unchanged.
- Prescaler tap unchanged.

Mask ROM Device (EA = 1)

In the mask ROM device, the watchdog mode bit (WDMOD) is mask programmed and the bit in the watchdog command register is read only and reflects the mask programmed selection. If the mask programmed mode bit selects the timer mode, then the watchdog run bit (WDRUN) operates as described under EPROM Device. If the mask programmed bit selects the watchdog mode, then the watchdog run bit has no effect on the timer operation (see Figure 15).

Watchdog Function

The watchdog consists of a programmable prescaler and the main timer. The prescaler derives its clock from the on-chip oscillator. The prescaler consists of a divide by 12 followed by a 13 stage counter with taps from stage 6 through stage 13. This is shown in Figure 17. The tap selection is programmable. The watchdog main counter is a down counter clocked (decremented) each time the programmable prescaler underflows. The watchdog generates an underflow signal (and is autoloaded) when the watchdog is at count 0 and the clock to decrement the watchdog occurs. The watchdog is 8 bits long and the autoload value can range from 0 to FFH. (The

CMOS single-chip 8-bit microcontrollers

80C575/83C575/87C575

autoload value of 0 is permissible since the prescaler is cleared upon autoload).

This leads to the following user design equations. Definitions: t_{OSC} is the oscillator period, N is the selected prescaler tap value, W is the main counter autoload value, t_{MIN} is the minimum watchdog time-out value (when the autoload value is 0), t_{MAX} is the maximum time-out value (when the autoload value is FFH), t_D is the design time-out value.

$$t_{MIN} = t_{OSC} \times 12 \times 64$$

$$t_{MAX} = t_{MIN} \times 128 \times 256$$

$$t_D = t_{MIN} \times 2^{PRESCALER} \times (W + 1)$$

(where prescaler = 0, 1, 2, 3, 4, 5, 6, or 7)

Note that the design procedure is anticipated to be as follows. A t_{MAX} will be chosen either from equipment or operation considerations and will most likely be the next convenient value higher than t_D . (If the watchdog were inadvertently to start from FFH, an overflow would be guaranteed, barring other anomalies, to occur within t_{MAX}). Then the value for the prescaler would be chosen from:

$$\text{prescaler} = \log_2 (t_{MAX} / (t_{OSC} \times 12 \times 256)) - 6$$

This then also fixes t_{MIN} . An autoload value would then be chosen from:

$$W = t_D / t_{MIN} - 1$$

The software must be written so that a feed operation takes place every t_D seconds from the last feed operation. Some tradeoffs may need to be made. It is not advisable to include feed operations in minor loops or in subroutines unless the feed operation is a specific subroutine.

Watchdog Control Register (WDCON) (Bit Addressable) Address C0

The following bits of this register are read only in the ROM part when \overline{EA} is high: WDMOD, PRE0, PRE1, and PRE2. That is, the register will reflect the mask programmed values. In the ROM part with \overline{EA} high, these bits are taken from mask coded bits and are not readable by the program. WDRUN is

read only in the ROM part when \overline{EA} is high and WDMOD is in the watchdog mode. When WDMOD is in the timer mode, WDRUN functions normally.

The parameters written into WDMOD, PRE0, PRE1, and PRE2 by the program are not applied directly to the watchdog timer subsystem. The watchdog timer subsystem is directly controlled by a second register which stores these bits. The transfer of these bits from the user register (WDMOD) to the second control register takes place when the watchdog is fed. This prevents random code execution from directly foiling the watchdog function. This does not affect the operation where these bits are taken from mask coded values.

The reset values of the WDCON and WDL registers will be such that the timer resets to the watchdog mode with a timeout period of $12 \times 64 \times 128 \times t_{OSC}$. The watchdog timer will not generate an interrupt. Additional bits in WDCON are used to disable reset generation by the oscillator fail and low voltage detect circuits. WDCON can be written by software only by executing a valid watchdog feed sequence.

WDCON Register Bit Definitions

| | | |
|---------|-------|--|
| WDCON.7 | PRE2 | Prescaler Select 2, reset to 1 |
| WDCON.6 | PRE1 | Prescaler Select 1, reset to 1 |
| WDCON.5 | PRE0 | Prescaler Select 0, reset to 1 |
| WDCON.4 | LVRE | Low Voltage Reset Enable, reset to 1 (enabled) |
| WDCON.3 | OFRE | Oscillator Fail Reset Enable, reset to 1 (enabled) |
| WDCON.2 | WDRUN | Watchdog Run, reset to 1 (enabled) |
| WDCON.1 | WDTOF | Watchdog Timeout Flag, reset to 0 |
| WDCON.0 | WDMOD | Watchdog Mode, reset to 1 (watchdog mode) |

Enhanced UART

The UART operates in all of the usual modes that are described in the first section of this book for the 80C51. In addition the UART can perform framing error detect by looking for missing stop bits, and automatic address recognition. The 87C575 UART also fully supports multiprocessor communication as does the standard 80C51 UART.

When used for framing error detect the UART looks for missing stop bits in the communication. A missing bit will set the FE bit in the SCON register. The FE bit shares the SCON.7 bit with SM0 and the function of SCON.7 is determined by PCON.6 (SMOD0) (see Figure 19). If SMOD0 is set then SCON.7 functions as FE. SCON.7 functions as SM0 when SMOD0 is cleared. When used as FE SCON.7 can only be cleared by software. Refer to Figure 18.

Automatic Address Recognition

Automatic Address Recognition is a feature which allows the UART to recognize certain addresses in the serial bit stream by using hardware to make the comparisons. This feature saves a great deal of software overhead by eliminating the need for the software to examine every serial address which passes by the serial port. This feature is enabled by setting the SM2 bit in SCON. In the 9 bit UART modes, mode 2 and mode 3, the Receive Interrupt flag (RI) will be automatically set when the received byte contains either the "Given" address or the "Broadcast" address. The 9 bit mode requires that the 9th information bit is a 1 to indicate that the received information is an address and not data. Automatic address recognition is shown in Figure 20.

The 8 bit mode is called Mode 1. In this mode the RI flag will be set if SM2 is enabled and the information received has a valid stop bit following the 8 address bits and the information is either a Given or Broadcast address.

Mode 0 is the Shift Register mode and SM2 is ignored.

CMOS single-chip 8-bit microcontrollers

80C575/83C575/87C575

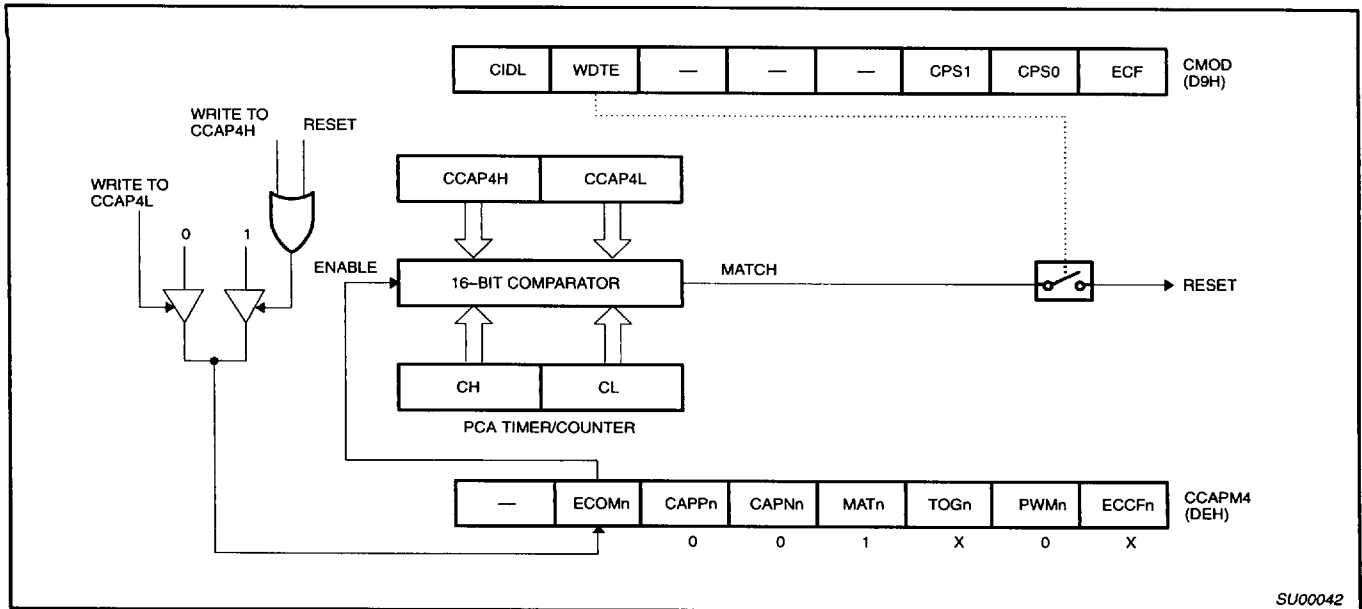


Figure 13. PCA Watchdog Timer

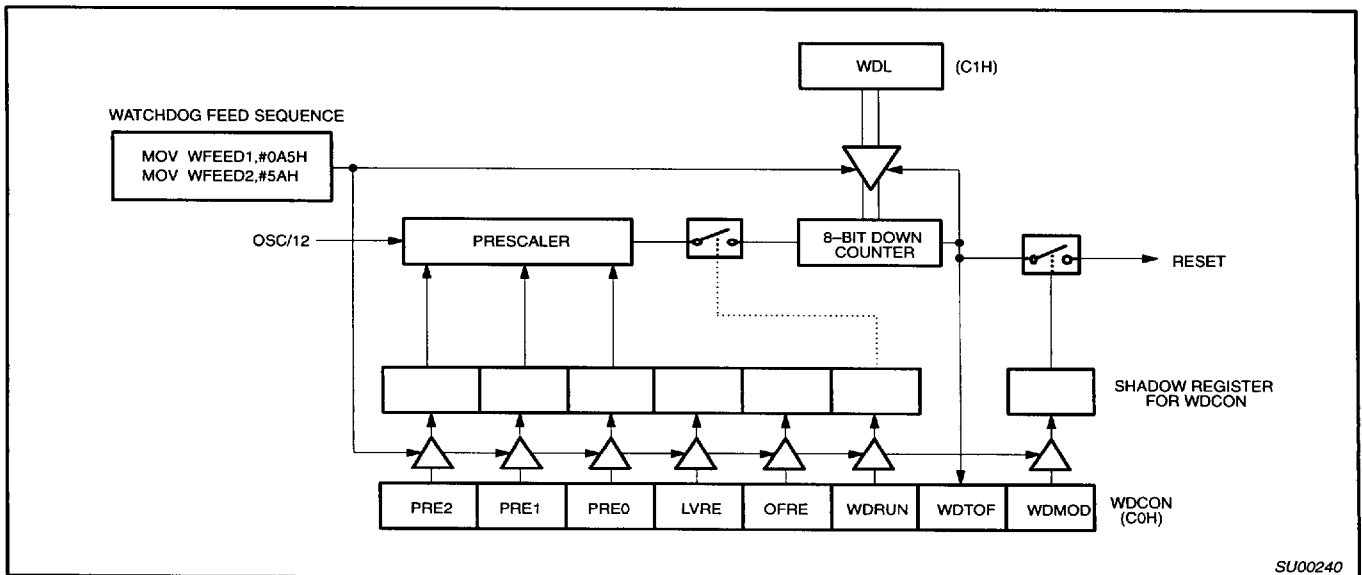


Figure 14. Watchdog Timer in 87C575 and 80C575 / 83C575 (EA = 0)

CMOS single-chip 8-bit microcontrollers

80C575/83C575/87C575

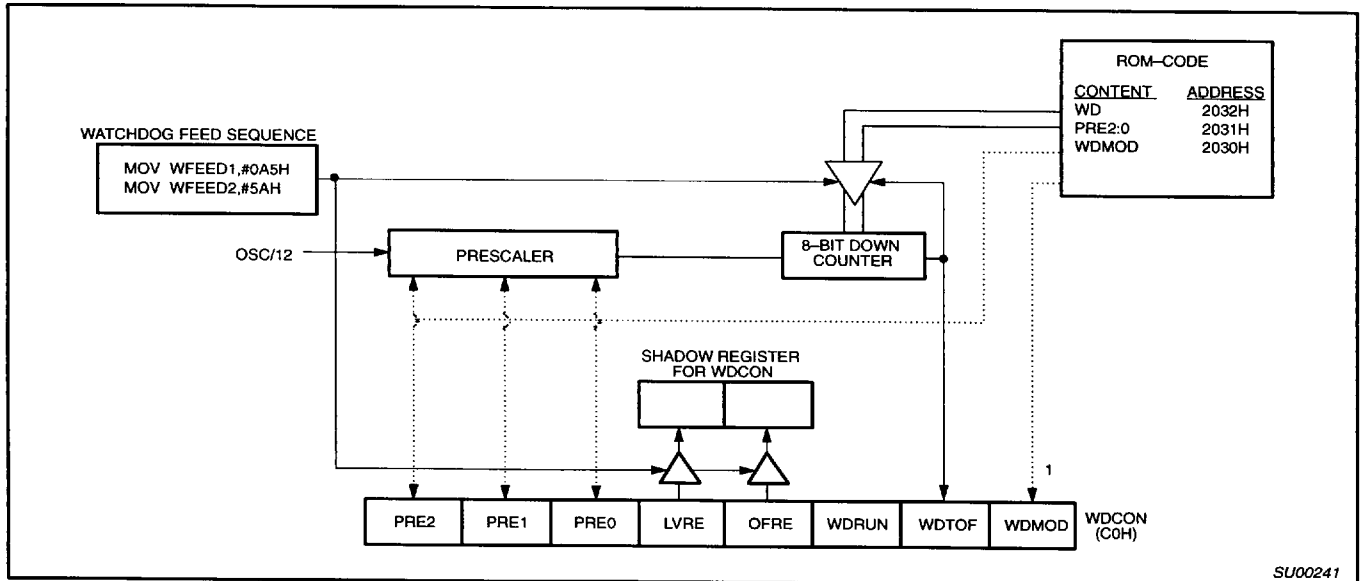


Figure 15. Watchdog Timer of 83C575 in Watchdog Mode (EA = 1, WDMOD = 1)

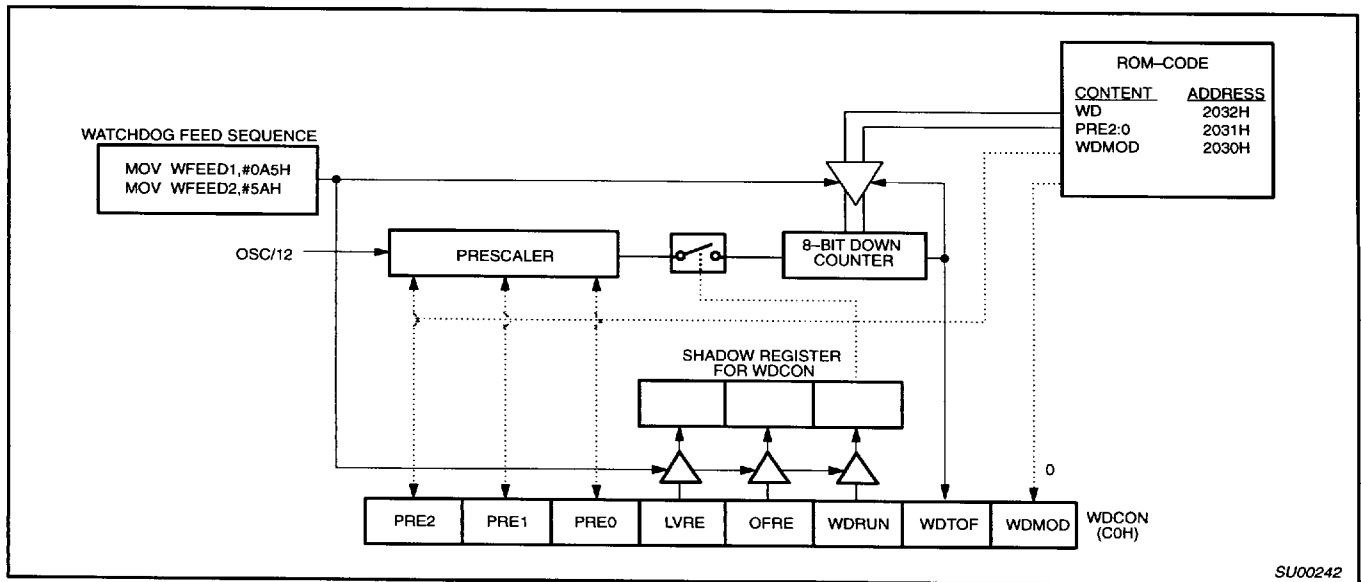


Figure 16. Watchdog Timer of 83C575 in Timer Mode (EA = 1, WDMOD = 0)

CMOS single-chip 8-bit microcontrollers

80C575/83C575/87C575

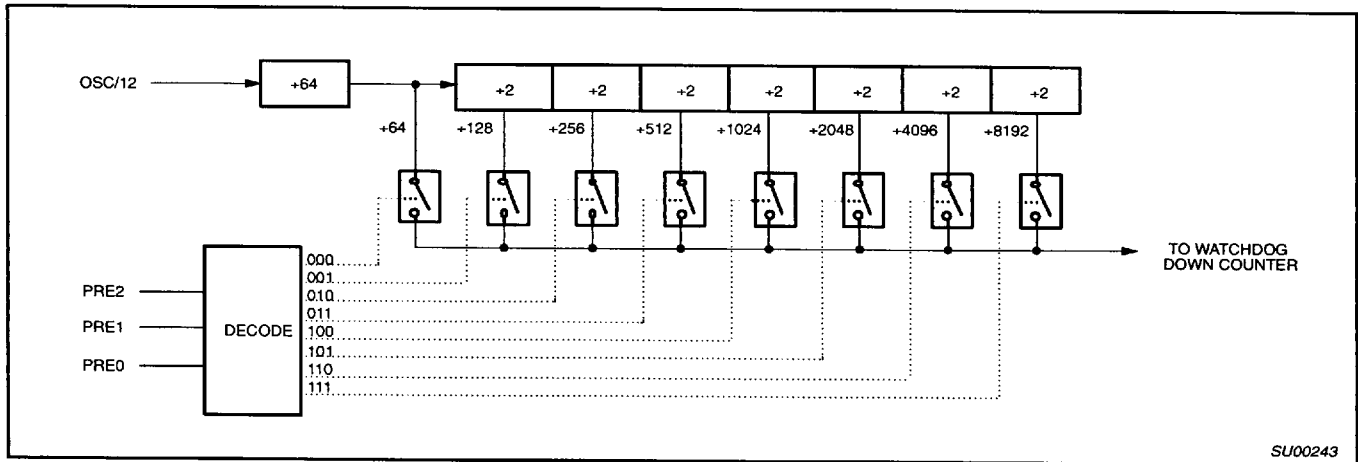


Figure 17. Watchdog Prescaler

SCON Address = 98H Reset Value = 0000 0000B

Bit Addressable

| | | | | | | | | |
|------|---------------|------------|------------|------------|------------|------------|-----------|-----------|
| | SM0/FE | SM1 | SM2 | REN | TB8 | RB8 | TI | RI |
| Bit: | 7 | 6 | 5 | 4 | 3 | 2 | 1 | 0 |

(SMOD0 = 0/1)*

| Symbol | Function | | | | | | | | | | | | | | | | | | | | | | | | | |
|------------|--|------|----------------|------------------------------|-------------|-------------|---|---|---|----------------|--------------|---|---|---|------------|----------|---|---|---|------------|------------------------------|---|---|---|------------|----------|
| FE | Framing Error bit. This bit is set by the receiver when an invalid stop bit is detected. The FE bit is not cleared by valid frames but should be cleared by software. The SMOD0 bit must be set to enable access to the FE bit. | | | | | | | | | | | | | | | | | | | | | | | | | |
| SM0 | Serial Port Mode Bit 0, (SMOD0 must = 0 to access bit SM0) | | | | | | | | | | | | | | | | | | | | | | | | | |
| SM1 | Serial Port Mode Bit 1 | | | | | | | | | | | | | | | | | | | | | | | | | |
| | <table border="1" style="width: 100%; text-align: center;"> <thead> <tr> <th>SM0</th> <th>SM1</th> <th>Mode</th> <th>Description</th> <th>Baud Rate**</th> </tr> </thead> <tbody> <tr> <td>0</td> <td>0</td> <td>0</td> <td>shift register</td> <td>$f_{OSC}/12$</td> </tr> <tr> <td>0</td> <td>1</td> <td>1</td> <td>8-bit UART</td> <td>variable</td> </tr> <tr> <td>1</td> <td>0</td> <td>2</td> <td>9-bit UART</td> <td>$f_{OSC}/64$ or $f_{OSC}/32$</td> </tr> <tr> <td>1</td> <td>1</td> <td>3</td> <td>9-bit UART</td> <td>variable</td> </tr> </tbody> </table> | SM0 | SM1 | Mode | Description | Baud Rate** | 0 | 0 | 0 | shift register | $f_{OSC}/12$ | 0 | 1 | 1 | 8-bit UART | variable | 1 | 0 | 2 | 9-bit UART | $f_{OSC}/64$ or $f_{OSC}/32$ | 1 | 1 | 3 | 9-bit UART | variable |
| SM0 | SM1 | Mode | Description | Baud Rate** | | | | | | | | | | | | | | | | | | | | | | |
| 0 | 0 | 0 | shift register | $f_{OSC}/12$ | | | | | | | | | | | | | | | | | | | | | | |
| 0 | 1 | 1 | 8-bit UART | variable | | | | | | | | | | | | | | | | | | | | | | |
| 1 | 0 | 2 | 9-bit UART | $f_{OSC}/64$ or $f_{OSC}/32$ | | | | | | | | | | | | | | | | | | | | | | |
| 1 | 1 | 3 | 9-bit UART | variable | | | | | | | | | | | | | | | | | | | | | | |
| SM2 | Enables the Automatic Address Recognition feature in Modes 2 or 3. If SM2 = 1 then RI will not be set unless the received 9th data bit (RB8) is 1, indicating an address, and the received byte is a Given or Broadcast Address. In Mode 1, if SM2 = 1 then RI will not be activated unless a valid stop bit was received, and the received byte is a Given or Broadcast Address. In Mode 0, SM2 should be 0. | | | | | | | | | | | | | | | | | | | | | | | | | |
| REN | Enables serial reception. Set by software to enable reception. Clear by software to disable reception. | | | | | | | | | | | | | | | | | | | | | | | | | |
| TB8 | The 9th data bit that will be transmitted in Modes 2 and 3. Set or clear by software as desired. | | | | | | | | | | | | | | | | | | | | | | | | | |
| RB8 | In modes 2 and 3, the 9th data bit that was received. In Mode 1, if SM2 = 0, RB8 is the stop bit that was received. In Mode 0, RB8 is not used. | | | | | | | | | | | | | | | | | | | | | | | | | |
| TI | Transmit interrupt flag. Set by hardware at the end of the 8th bit time in Mode 0, or at the beginning of the stop bit in the other modes, in any serial transmission. Must be cleared by software. | | | | | | | | | | | | | | | | | | | | | | | | | |
| RI | Receive interrupt flag. Set by hardware at the end of the 8th bit time in Mode 0, or halfway through the stop bit time in the other modes, in any serial reception (except see SM2). Must be cleared by software. | | | | | | | | | | | | | | | | | | | | | | | | | |

NOTE:
 *SMOD0 is located at PCON6.
 ** f_{OSC} = oscillator frequency

Figure 18. SCON: Serial Port Control Register

CMOS single-chip 8-bit microcontrollers

80C575/83C575/87C575

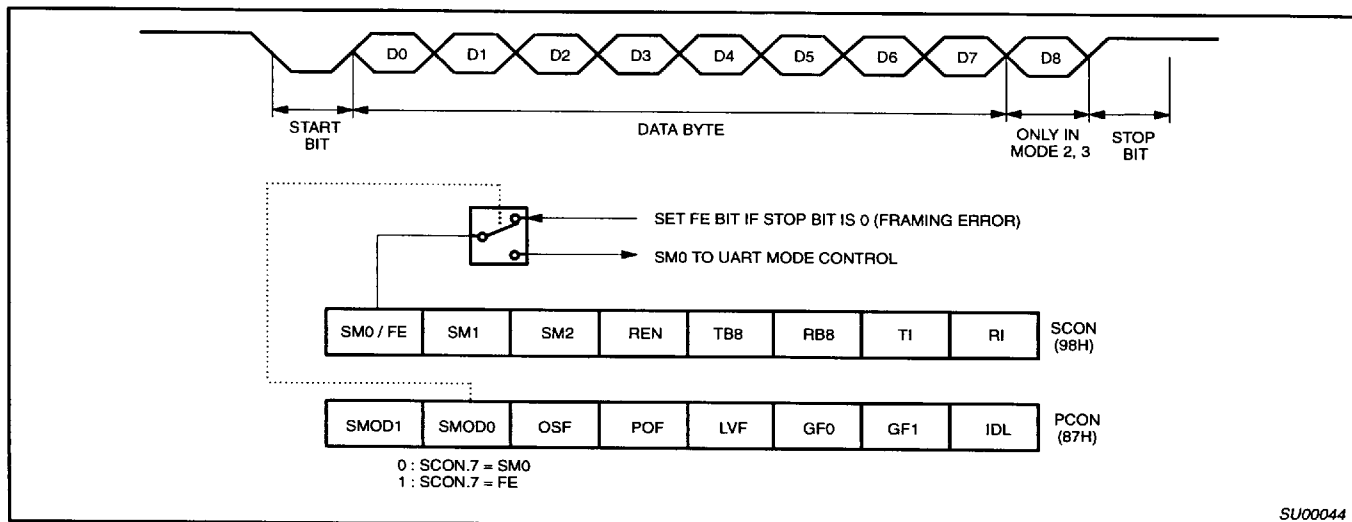


Figure 19. UART Framing Error Detection

Using the Automatic Address Recognition feature allows a master to selectively communicate with one or more slaves by invoking the Given slave address or addresses. All of the slaves may be contacted by using the Broadcast address. Two special Function Registers are used to define the slave's address, SADDR, and the address mask, SADEN. SADEN is used to define which bits in the SADDR are to be used and which bits are "don't care". The SADEN mask can be logically ANDed with the SADDR to create the "Given" address which the master will use for addressing each of the slaves. Use of the Given address allows multiple slaves to be recognized while excluding others. The following examples will help to show the versatility of this scheme:

| | |
|---------|--------------------------|
| Slave 0 | SADDR = 1100 0000 |
| | SADEN = <u>1111 1101</u> |
| | Given = 1100 00X0 |
| Slave 1 | SADDR = 1100 0000 |
| | SADEN = <u>1111 1110</u> |
| | Given = 1100 000X |

In the above example SADDR is the same and the SADEN data is used to differentiate between the two slaves. Slave 0 requires a 0 in bit 0 and it ignores bit 1. Slave 1 requires a 0 in bit 1 and bit 0 is ignored. A unique address for Slave 0 would be 1100 0010 since slave 1 requires a 0 in bit 1. A unique address for slave 1 would be 1100 0001 since a 1 in bit 0 will exclude slave 0. Both

slaves can be selected at the same time by an address which has bit 0 = 0 (for slave 0) and bit 1 = 0 (for slave 1). Thus, both could be addressed with 1100 0000.

In a more complex system the following could be used to select slaves 1 and 2 while excluding slave 0:

| | |
|---------|--------------------------|
| Slave 0 | SADDR = 1100 0000 |
| | SADEN = <u>1111 1001</u> |
| | Given = 1100 00X0 |
| Slave 1 | SADDR = 1110 0000 |
| | SADEN = <u>1111 1010</u> |
| | Given = 1110 00X0 |
| Slave 2 | SADDR = 1110 0000 |
| | SADEN = <u>1111 1100</u> |
| | Given = 1110 00XX |

In the above example the differentiation among the 3 slaves is in the lower 3 address bits. Slave 0 requires that bit 0 = 0 and it can be uniquely addressed by 1110 0110. Slave 1 requires that bit 1 = 0 and it can be uniquely addressed by 1110 and 0101. Slave 2 requires that bit 2 = 0 and its unique address is 1110 0011. To select Slaves 0 and 1 and exclude Slave 2 use address 1110 0100, since it is necessary to make bit 2 = 1 to exclude slave 2.

The Broadcast Address for each slave is created by taking the logical OR of SADDR and SADEN. Zeros in this result are treated

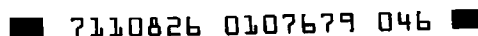
as don't-cares. In most cases, interpreting the don't-cares as ones, the broadcast address will be FF hexadecimal.

Upon reset SADDR (SFR address 0A9H) and SADEN (SFR address 0B9H) are loaded with 0s. This produces a given address of all "don't cares", this effectively disables the Automatic Addressing mode and allows the microcontroller to use standard 80C51 type UART drivers which do not make use of this feature.

Analog Comparators

Four analog comparators are provided on chip. Three comparators have a common negative reference CMPR- and independent positive inputs CMP1+, CMP2+, CMP3+ on port 3. The fourth comparator has independent positive and negative inputs CMP0+ and CMP0- on port 1. The CMP register contains an output and enable bit for each comparator. The CMP register is bit addressable and is located at SFR address E8H. Figure 21 shows the connection of the comparators.

Pullups at the comparator input pins will be disabled by hardware when the comparator is enabled. In addition, to make inputs high impedance, the corresponding port SFR bits must be set by software to disable the pulldowns.



CMOS single-chip 8-bit microcontrollers

80C575/83C575/87C575

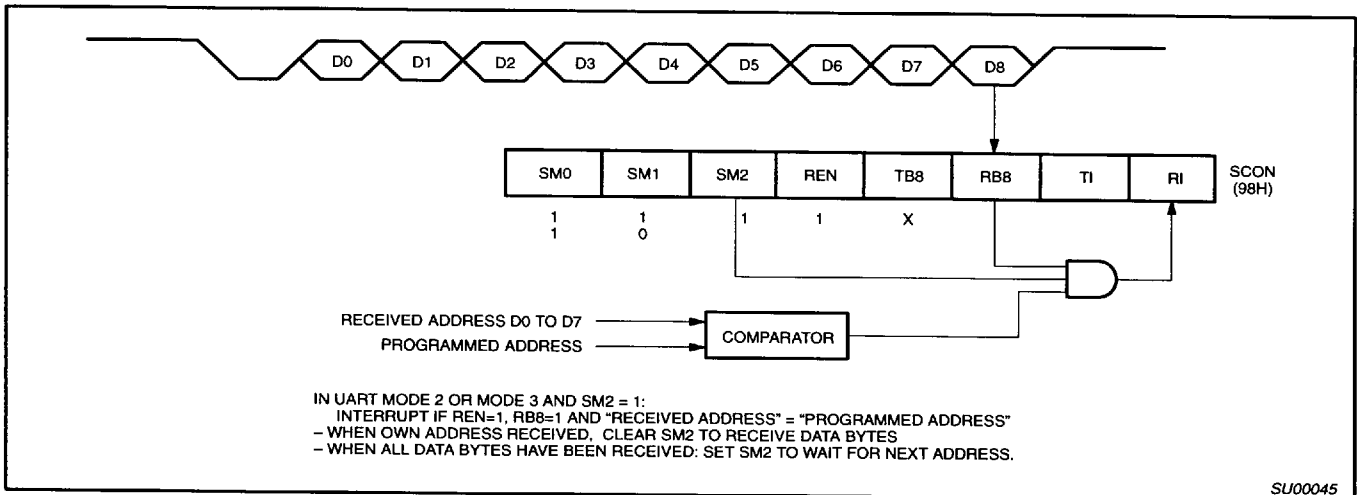


Figure 20. UART Multiprocessor Communication, Automatic Address Recognition

CMP Register Bit Definitions

| | |
|-------|---|
| CMP.7 | enable comparator 3, disable pullups at P3.4, P3.7 |
| CMP.6 | enable comparator 2, disable pullups at P3.4, P3.6 |
| CMP.5 | enable comparator 1, disable pullups at P3.4, P3.5 |
| CMP.4 | enable comparator 0, disable pullups at P1.0, P1.1 |
| CMP.3 | comparator 3 output (read only) |
| CMP.2 | comparator 2 output (read only) |
| CMP.1 | comparator 1 output (read only) |
| CMP.0 | comparator 0 output (read only) |

All comparators are disabled automatically in power down mode, in idle mode unused comparators should be disabled by software to save power. A comparator can generate an interrupt that will terminate idle mode.

The CMPE register contains bits to enable each comparator to drive external output pins or internal PCA capture inputs. Pullups at the output pins are disabled by hardware when the external comparator output is enabled. The comparator output is wire-ORed with the corresponding port SFR bit, so the SFR bit must also be set by software to enable the output.

CMPE Register Bit Definitions

| | |
|--------|--|
| CMPE.7 | enables comparator 3 to drive CEX3 |
| CMPE.6 | enables comparator 2 to drive CEX2 |
| CMPE.5 | enables comparator 1 to drive CEX1 |
| CMPE.4 | enables comparator 0 to drive CEX0 |
| CMPE.3 | enables comparator 3 output on P1.6 (open drain) |
| CMPE.2 | enables comparator 2 output on P1.5 (open drain) |
| CMPE.1 | enables comparator 1 output on P1.4 (open drain) |
| CMPE.0 | enables comparator 0 output on P1.3 (open drain) |

When 1s are written to CMPE bits 7-4, the comparator outputs will drive the corresponding capture input. (This function is not available in the idle or power-down mode.) When 1s are written to CMPE bits 3-0 the comparator output will also drive the corresponding port 1 pin. (This function is available in idle mode.) If the comparator's enabled to drive the capture input but not the port pin, then the port pin can be used for general purpose I/O. When a comparator output is enabled, pullups at the output pin are disabled and the output becomes open drain. The comparator output can be used to trigger a capture input in idle mode by programming the CMPE register to drive the pin from the comparator output to have the pin supply the capture trigger.

There are two special function registers associated with the comparators. They are CMP which contains the comparator enables and a bit that can be read by software to

determine the state of each comparator's output, and CMPE which controls whether the output from each comparator drives the associated output pin or a capture input associated with one of the PCA modules.

The CMP registers bits 0-3 can be read by software to determine the state of the output of each comparator. To do this the associated comparator must be enabled but the output in port 1 can be disabled. This allows easy polling of the comparator output value without the need to use up a port pin.

The CMPE register allows the comparator to drive the associated PCA module capture input, so that on compare a capture can be generated in the PCA. Bits 0-3 of this register enable the comparator output to drive the associated port 1 output circuitry. Used as a comparator output this circuitry is open drain. To enable the comparator output to drive to port 1, the corresponding port bit must also be set to disable the pulldown. If the comparator is not enabled to drive the port 1 circuitry, the associated port 1 pin can be used for other I/O. This includes when a comparator is enabled to drive the capture input to a PCA module.

Reduced EMI Mode

There are two bits in the AUXR register that can be set to reduce the internal clock drive and disable the ALE output. AO (AUXR.0) when set turns off the ALE output. LO (AUXR.1) when set reduces the drive of the internal clock circuitry. Both bits are cleared on Reset. With LO set the 87C575 will still operate at 12MHz, but will have reduced EMI in the range above 100MHz.

CMOS single-chip 8-bit microcontrollers

80C575/83C575/87C575

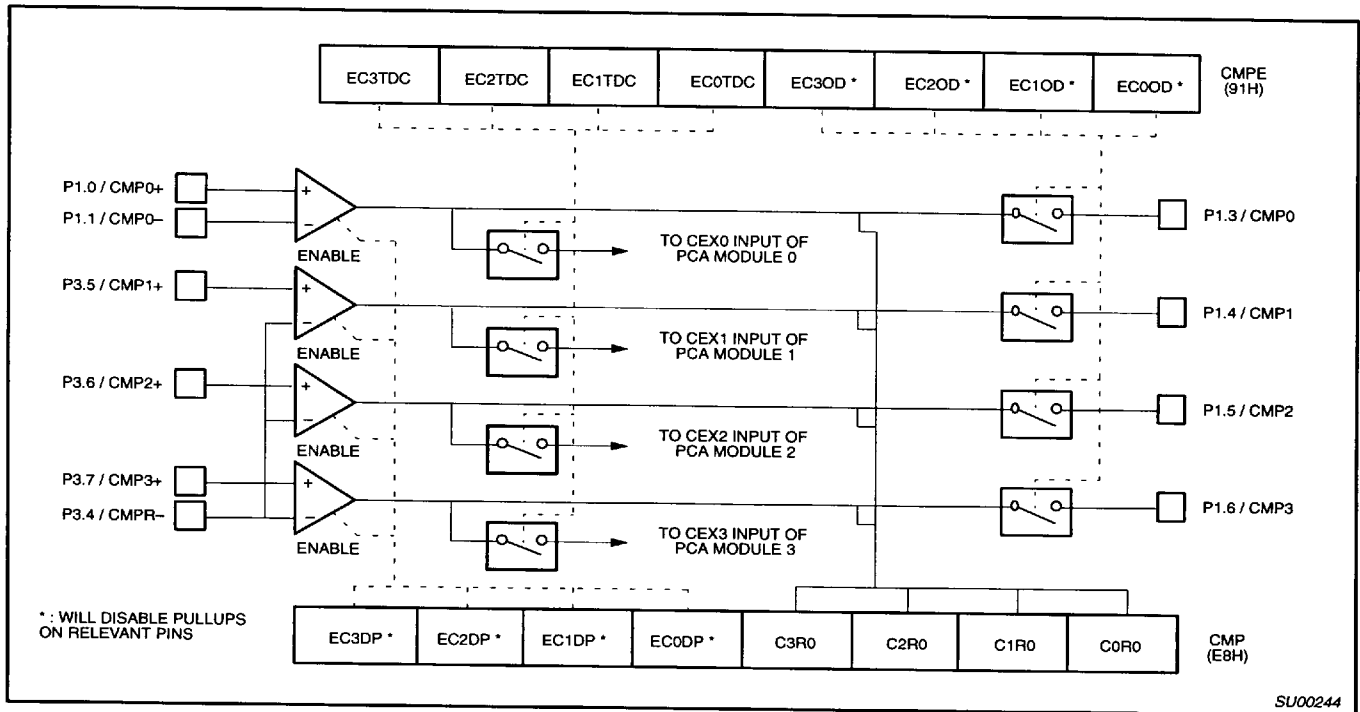
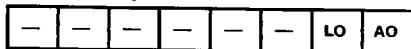


Figure 21. Analog Comparators

8XC575 Reduced EMI Mode

AUXR (0X8E)



AO: Turns off ALE output.

LO: Reduces drive of internal clock circuitry. 8XC575 spec'd to 12MHz when LO set.

INTERNAL RESET

Internal resets generated by the power on, low voltage, and oscillator fail detect circuits are self timed to guarantee proper initialization of the 8XC575. Reset will be held approximately 24 oscillator periods after normal conditions are detected by all enabled detect circuits. Internal resets do not drive RST but will cause missing pulses on ALE.

Interrupt Enable (IE) Register

- EA IE.7 enable all interrupts
- EC IE.6 enable PCA interrupt
- ET2 IE.5 enable Timer 2 interrupt
- ES IE.4 enable Serial I/O interrupt
- ET1 IE.3 enable Timer 1 interrupt
- EX1 IE.2 enable External interrupt 1
- ET0 IE.1 enable Timer 0 interrupt
- EX0 IE.0 enable External interrupt 0

Interrupt Priority (IP) Register

- IP.7 reserved
- PPC IP.6 PCA interrupt priority
- PT2 IP.5 Timer 2 interrupt priority
- PS IP.4 Serial I/O interrupt priority
- PT1 IP.3 Timer 1 interrupt priority
- PX1 IP.2 External interrupt 1 priority
- PT0 IP.1 Timer 0 interrupt priority
- PX0 IP.0 External interrupt 0 priority

| Priority Source | Flag | Vector |
|-----------------|----------|----------------------|
| 1 INT0 | IE0 | 03H highest priority |
| 2 Timer 0 | TF0 | 0BH |
| 3 INT1 | IE1 | 13H |
| 4 Timer 1 | TF1 | 1BH |
| 5 PCA | CF,CCFn | 33H |
| 6 Serial I/O | RI, TI | 23H |
| 7 Timer 2 | TF2/EXF2 | 2BH lowest priority |

Power Control (PCON) Register

- SMOD1 PCON.7 double baud rate bit
- SMOD0 PCON.6 SCON.7 access control
- OSF PCON.5 oscillator fail flag
- POF PCON.4 power off flag
- LVF PCON.3 low voltage flag
- GF0 PCON.2 general purpose flag
- PD PCON.1 power down mode bit
- IDL PCON.0 idle mode bit

Auxiliary Register Bit Definitions

(AUXR = 8EH)

- AO AUXR.0 ALE Off, when set turns off ALE
- LO AUXR.1 Low Speed, reduces internal clock drive

Port 2 Pullup Disable Register (P2OD = 0A1H)

Port 2 pullups can be disabled by writing ones to P2OD. Each bit in P2OD controls the corresponding bit in P2. P2OD resets to all zeros enabling Port 2 pullups. Writing one to a P2OD bit disables pullups at the corresponding port 2 bit making the output open drain.

CMOS single-chip 8-bit microcontrollers

80C575/83C575/87C575

**OSCILLATOR
CHARACTERISTICS**

XTAL1 and XTAL2 are the input and output, respectively, of an inverting amplifier. The pins can be configured for use as an on-chip oscillator, as shown in the Logic Symbol, page 3.

To drive the device from an external clock source, XTAL1 should be driven while XTAL2 is left unconnected. There are no requirements on the duty cycle of the external clock signal, because the input to the internal clock circuitry is through a divide-by-two flip-flop. However, minimum and maximum high and low times specified in the data sheet must be observed.

IDLE MODE

In idle mode, the CPU puts itself to sleep while all of the on-chip peripherals stay active. The instruction to invoke the idle mode is the last instruction executed in the normal operating mode before the idle mode is activated. The CPU contents, the on-chip RAM, and all of the special function registers remain intact during this mode. The idle mode can be terminated either by any enabled interrupt (at which time the process is picked up at the interrupt service routine and continued), or by a hardware reset which starts the processor in the same manner as a power-on reset.

POWER-DOWN MODE

In the power-down mode, the oscillator is stopped and the instruction to invoke power-down is the last instruction executed. Only the contents of the on-chip RAM are preserved. The control bits for the reduced power modes are in the special function register PCON. Power-down mode can be terminated with either a hardware reset or external interrupt. With an external interrupt INT0 or INT1 must be enabled and configured as level sensitive. Holding the pin low restarts to oscillator and bringing the pin back high completes the exit.

If the watchdog is enabled (WDRUN = 1), then power-down mode is disabled.

DESIGN CONSIDERATIONS

At power-on, the voltage on V_{CC} must come up with RST low for a proper start-up.

Table 2 shows the state of I/O ports during low current operating modes.

Table 2. External Pin Status During Idle and Power-Down Modes

| MODE | PROGRAM MEMORY | ALE | PSEN | PORT 0 | PORT 1 | PORT 2 | PORT 3 |
|------------|----------------|-----|------|--------|--------|---------|--------|
| Idle | Internal | 1 | 1 | Data | Data | Data | Data |
| Idle | External | 1 | 1 | Float | Data | Address | Data |
| Power-down | Internal | 0 | 0 | Data | Data | Data | Data |
| Power-down | External | 0 | 0 | Float | Data | Data | Data |

CMOS single-chip 8-bit microcontrollers

80C575/83C575/87C575

ROM CODE SUBMISSION

When submitting ROM code for the 83C575, the following must be specified:

1. 8k byte user ROM data
2. 32 byte ROM encryption key
3. ROM security bits
4. The watchdog timer parameters.

| ADDRESS | CONTENT | BIT(S) | COMMENT |
|----------------|--|-------------|--|
| 0000H to 1FFFH | DATA | 7:0 | User ROM Data |
| 2000H to 201FH | KEY | 7:0 | ROM Encryption Key FFH = no encryption |
| 2020H | Reserved Security Bit 2 Security Bit 1 | 2 1 0 | Must = 1 0 = enable, 1 = disable 0 = enable, 1 = disable |
| 2030H | Reserved | 7:0 | Must = FFH |
| 2031H | Reserved | 7:0 | Must = FFH |
| 2032H | WDL ¹ | 7:0 | Watchdog reload value (see specification) |
| 2033H | WDCON ¹ | 7:5 | PRE2:0 |
| 2033H | WDCON ¹ | 4 | LVRE |
| 2033H | WDCON ¹ | 3 | OFRE |
| 2033H | WDCON ¹ | 2 | WDRUN=0, not ROM coded |
| 2033H | WDCON ¹ | 1 | WDTOF=0, not ROM coded |
| 2033H | WDCON ¹ | 0 | WDMOD |

NOTES:

1. See Watchdog Timer Specification for definition of WDL and WDCON bits.

Security Bit 1: When programmed, this bit has two effects on masked ROM parts:

1. External MOV_C is disabled, and
2. EA# is latched on Reset.

Security Bit 2: When programmed, this bit inhibits Verify User ROM.

ABSOLUTE MAXIMUM RATINGS^{1, 2, 3}

| PARAMETER | RATING | UNIT |
|--|--------------|------|
| Operating temperature under bias | -55 to +125 | °C |
| Storage temperature range | -65 to +150 | °C |
| Voltage on EA/V _{PP} pin to V _{SS} | 0 to +13.0 | V |
| Voltage on any other pin to V _{SS} | -0.5 to +6.5 | V |
| Maximum I _{OL} per I/O pin | 15 | mA |
| Power dissipation (based on package heat transfer limitations, not device power consumption) | 1.5 | W |

NOTES:

1. Stresses above those listed under Absolute Maximum Ratings may cause permanent damage to the device. This is a stress rating only and functional operation of the device at these or any conditions other than those described in the AC and DC Electrical Characteristics section of this specification is not implied.
2. This product includes circuitry specifically designed for the protection of its internal devices from the damaging effects of excessive static charge. Nonetheless, it is suggested that conventional precautions be taken to avoid applying greater than the rated maxima.
3. Parameters are valid over operating temperature range unless otherwise specified. All voltages are with respect to V_{SS} unless otherwise noted.

CMOS single-chip 8-bit microcontrollers

80C575/83C575/87C575

DC ELECTRICAL CHARACTERISTICS

 $T_{amb} = 0^{\circ}\text{C}$ to $+70^{\circ}\text{C}$ and -40°C to $+125^{\circ}\text{C}$, $V_{CC} = 5\text{V} \pm 10\%$, $V_{SS} = 0\text{V}$

| SYMBOL | PARAMETER | TEST CONDITIONS | LIMITS | | | UNIT |
|-----------|--|---|------------------------------|------------------|------------------|---------------------------|
| | | | MIN | TYP ¹ | MAX | |
| V_{IL} | Input low voltage (Ports 0, 2, 3, except 3.2, 3.3) | | -0.5 | | $0.5V_{CC}-0.6$ | V |
| V_{IL1} | Input low voltage (Ports 1, 3.2, 3.3) | | -0.5 | | $0.65V_{CC}-0.5$ | V |
| V_{IL2} | Input low voltage (EA) | | 0 | | $0.2V_{CC}-0.45$ | V |
| V_{IL3} | Input low voltage (XTAL1, RST) | | -0.5 | | $0.2V_{CC}-0.1$ | V |
| V_{IH} | Input high voltage (Ports 0, 2, 3, except 3.2, 3.3) | | $0.5V_{CC}+0.8$ | | $V_{CC}+0.5$ | V |
| V_{IH1} | Input high voltage (Ports 1, 3.2, 3.3) | | $0.8V_{CC}+0.3$ | | $V_{CC}+0.5$ | V |
| V_{IH2} | Input high voltage (EA) | | $0.2V_{CC}+0.9$ | | $V_{CC}+0.5$ | V |
| V_{IH3} | Input high voltage (XTAL1, RST) | | $0.7V_{CC}$ | | $V_{CC}+0.5$ | V |
| HYS | Hysteresis (Ports 0, 2, 3, except 3.2, 3.3) | | 200 | | | mV |
| HYS1 | Hysteresis (Ports 1, 3.2, 3.3) | | 50 | | | mV |
| V_{OL} | Output voltage low (Ports 1, 2, 3, except 3.1) | $I_{OL} = 1.6\text{mA}$ | | | 0.45 | V |
| V_{OL1} | Output voltage low (Ports 0, ALE, PSEN) | $I_{OL} = 3.2\text{mA}$ | | | 0.45 | V |
| V_{OL2} | Output voltage low P3.1 with bit cleared P3.1 with bit set | $I_{OL} = 10.0\text{mA}$ $I_{OL} = 1.6\text{mA}$ | | | 0.50 0.45 | V V |
| V_{OH} | Output voltage high (Ports 1, 2, 3, except P3.1) | $I_{OH} = -30\mu\text{A}$ | $V_{CC}-0.7$ | | | V |
| V_{OH1} | Output voltage high (Port 0 in external bus mode, ALE, PSEN) | $I_{OH} = -3.2\text{mA}$ | $V_{CC}-0.7$ | | | V |
| V_{OH2} | Output voltage high P3.1 with bit cleared P3.1 with bit set | $I_{OH} = -10.0\text{mA}$ $I_{OH} = -1.6\text{mA}$ | $V_{CC}-1.5$ $V_{CC}-1.5$ | | | V V |
| V_{IO} | Offset voltage comparator inputs | | -35 | | +35 | mV |
| V_{CR} | Common mode range comparator inputs | | 0 | | V_{CC} | V |
| I_{IL} | Logical 0 input current (Ports 1, 2, 3, except 3.1) | $V_{IN} = 0.45\text{V}$ | | | -75 | μA |
| I_{TL} | Logical 1-to-0 transition current (Ports 2, 3, except 3.1, 3.2, 3.3) ⁴ | See Note 4 | | | -600 | μA |
| I_{TL1} | Logical 1-to-0 transition current (Ports 1, 3.2, 3.3) | See Note 4 | | | -450 | μA |
| I_{L1} | Input leakage current (Port 0, Port2 in open drain mode) ⁹ | $0.45 < V_{IN} < V_{CC}$ | 2 | | 40 | μA |
| I_{L2} | Input leakage current (EA, P3.1) | $0.45 < V_{IN} < V_{CC}$ | -10 | | +10 | μA |
| I_{LC} | Input leakage current comparator inputs | $0 < V_{IN} < V_{CC}$ | -1.0 | | +1.0 | μA |
| I_{CC} | Power supply current: ⁷ Active mode @ 16MHz ⁵ Idle mode @ 16MHz Power-down mode | See note 6 | | 20 8 5 | 30 12 75 | mA mA μA |
| R_{RST} | Internal reset pull-up resistor | $V_{IN} = 0\text{V}$ | 50 | | 200 | k Ω |
| V_{LOW} | Low V_{CC} detect voltage | | 4.0 | | 4.45 | V |
| C_{IO} | Pin capacitance ¹⁰ | $f = 1\text{MHz}$ | | | 10 | pF |

NOTES: (SEE NEXT PAGE)

CMOS single-chip 8-bit microcontrollers

80C575/83C575/87C575

NOTES TO THE DC ELECTRICAL CHARACTERISTICS TABLE:

1. Typical ratings are not guaranteed. The values listed are at room temperature, 5V.
2. Capacitive loading on ports 0 and 2 may cause spurious noise to be superimposed on the V_{OL} s of ALE and ports 1 and 3. The noise is due to external bus capacitance discharging into the port 0 and port 2 pins when these pins make 1-to-0 transitions during bus operations. In the worst cases (capacitive loading > 100pF), the noise pulse on the ALE pin may exceed 0.8V. In such cases, it may be desirable to qualify ALE with a Schmitt Trigger, or use an address latch with a Schmitt Trigger STROBE input. I_{OL} can exceed these conditions provided that no single output sinks more than 5mA and no more than two outputs exceed the test conditions.
3. Capacitive loading on ports 0 and 2 may cause the V_{OH} on ALE and \overline{PSEN} to momentarily fall below the $0.9V_{CC}$ specification when the address bits are stabilizing.
4. Pins of ports 1, 2 and 3 source a transition current when they are being externally driven from 1 to 0. The transition current reaches its maximum value when V_{IN} is between V_{IH} and V_{IL} .
5. I_{CCMAX} at other frequencies can be determined from Figure 29.
6. See Figures 30 through 33 for I_{CC} test conditions.
7. Load capacitance for port 0, ALE, and \overline{PSEN} = 100pF, load capacitance for all other outputs = 80pF.
8. Under steady state (non-transient) conditions, I_{OL} must be externally limited as follows:

| | |
|---|------|
| Maximum I_{OL} per port pin: | 10mA |
| Maximum I_{OL} per 8-bit port: | 26mA |
| Maximum total I_{OL} for all outputs: | 71mA |

If I_{OL} exceeds the test condition, V_{OL} may exceed the related specification. Pins are not guaranteed to sink current greater than the listed test conditions.
9. Specification applies to Port 2 when P2OD bit is set.
10. 15pF MAX for the \overline{EA}/V_{PP} and P0.0 pins.

CMOS single-chip 8-bit microcontrollers

80C575/83C575/87C575

AC ELECTRICAL CHARACTERISTICS
 $T_{amb} = 0^{\circ}\text{C to } +70^{\circ}\text{C and } -40^{\circ}\text{C to } +125^{\circ}\text{C, } V_{CC} = 5\text{V } \pm 10\%, V_{SS} = 0\text{V}^{1,2}$

| SYMBOL | FIGURE | PARAMETER | VARIABLE CLOCK | | UNIT |
|-----------------------|--------|---|------------------|------------------|---------------|
| | | | MIN | MAX | |
| $1/t_{CLCL}$ | 22 | Oscillator frequency: Speed Versions 8XC575 E | 6 | 16 | MHz |
| OSCF | | Oscillator fail detect frequency | 0.6 | 5.5 | MHz |
| TR | | Comparator response time | | 10 | μs |
| t_{LHLL} | 22 | ALE pulse width | $2t_{CLCL}-40$ | | ns |
| t_{AVLL} | 22 | Address valid to ALE low | $t_{CLCL}-25$ | | ns |
| t_{LLAX} | 22 | Address hold after ALE low | $t_{CLCL}-25$ | | ns |
| t_{LLIV} | 22 | ALE low to valid instruction in | | $4t_{CLCL}-75$ | ns |
| t_{LLPL} | 22 | ALE low to $\overline{\text{PSEN}}$ low | $t_{CLCL}-25$ | | ns |
| t_{PLPH} | 22 | $\overline{\text{PSEN}}$ pulse width | $3t_{CLCL}-45$ | | ns |
| t_{PLIV} | 22 | $\overline{\text{PSEN}}$ low to valid instruction in | | $3t_{CLCL}-70$ | ns |
| t_{PXIX} | 22 | Input instruction hold after $\overline{\text{PSEN}}$ | 0 | | ns |
| t_{PXIZ} | 22 | Input instruction float after $\overline{\text{PSEN}}$ | | $t_{CLCL}-25$ | ns |
| t_{AVIV} | 22 | Address to valid instruction in | | $5t_{CLCL}-85$ | ns |
| t_{PLAZ} | 22 | $\overline{\text{PSEN}}$ low to address float | | 10 | ns |
| Data Memory | | | | | |
| t_{RLRH} | 23, 24 | $\overline{\text{RD}}$ pulse width | $6t_{CLCL}-100$ | | ns |
| t_{WLWH} | 23, 24 | $\overline{\text{WR}}$ pulse width | $6t_{CLCL}-100$ | | ns |
| t_{RLDV} | 23, 24 | $\overline{\text{RD}}$ low to valid data in | | $5t_{CLCL}-110$ | ns |
| t_{RHDX} | 23, 24 | Data hold after $\overline{\text{RD}}$ | 0 | | ns |
| t_{RHDX} | 23, 24 | Data float after $\overline{\text{RD}}$ | | $2t_{CLCL}-28$ | ns |
| t_{LLDV} | 23, 24 | ALE low to valid data in | | $8t_{CLCL}-150$ | ns |
| t_{AVDV} | 23, 24 | Address to valid data in | | $9t_{CLCL}-165$ | ns |
| t_{LLWL} | 23, 24 | ALE low to $\overline{\text{RD}}$ or $\overline{\text{WR}}$ low | $3t_{CLCL}-50$ | $3t_{CLCL}+50$ | ns |
| t_{AVWL} | 23, 24 | Address valid to $\overline{\text{WR}}$ low or $\overline{\text{RD}}$ low | $4t_{CLCL}-75$ | | ns |
| t_{QVWX} | 23, 24 | Data valid to $\overline{\text{WR}}$ transition | $t_{CLCL}-30$ | | ns |
| t_{WHQX} | 23, 24 | Data hold after $\overline{\text{WR}}$ | $t_{CLCL}-25$ | | ns |
| t_{RLAZ} | 23, 24 | $\overline{\text{RD}}$ low to address float | | 0 | ns |
| t_{WHLH} | 23, 24 | $\overline{\text{RD}}$ or $\overline{\text{WR}}$ high to ALE high | $t_{CLCL}-25$ | $t_{CLCL}+25$ | ns |
| External Clock | | | | | |
| t_{CHCX} | 26 | High time | 12 | | ns |
| t_{CLCX} | 26 | Low time | 12 | | ns |
| t_{CLCH} | 26 | Rise time | | 20 | ns |
| t_{CHCL} | 26 | Fall time | | 20 | ns |
| Shift Register | | | | | |
| t_{XLXL} | 25 | Serial port clock cycle time | $12t_{CLCL}$ | | ns |
| t_{QVXH} | 25 | Output data setup to clock rising edge | $10t_{CLCL}-133$ | | ns |
| t_{XHQX} | 25 | Output data hold after clock rising edge | $2t_{CLCL}-60$ | | ns |
| t_{XHDX} | 25 | Input data hold after clock rising edge | 0 | | ns |
| t_{XHDV} | 25 | Clock rising edge to input data valid | | $10t_{CLCL}-133$ | ns |

NOTES:

- Parameters are valid over operating temperature range unless otherwise specified.
- Load capacitance for port 0, ALE, and $\overline{\text{PSEN}} = 100\text{pF}$, load capacitance for all other outputs = 80pF .
- Interfacing the 80C32/52 to devices with float times up to 45ns is permitted. This limited bus contention will not cause damage to Port 0 drivers.

CMOS single-chip 8-bit microcontrollers

80C575/83C575/87C575

EXPLANATION OF THE AC SYMBOLS

Each timing symbol has five characters. The first character is always 't' (= time). The other characters, depending on their positions, indicate the name of a signal or the logical status of that signal. The designations are:

- A - Address
- C - Clock
- D - Input data
- H - Logic level high
- I - Instruction (program memory contents)
- L - Logic level low, or ALE

- P - PSEN
- Q - Output data
- R - RD signal
- t - Time
- V - Valid
- W - WR signal
- X - No longer a valid logic level
- Z - Float

Examples: t_{AVLL} = Time for address valid to ALE low.
 t_{LLPL} = Time for ALE low to PSEN low.

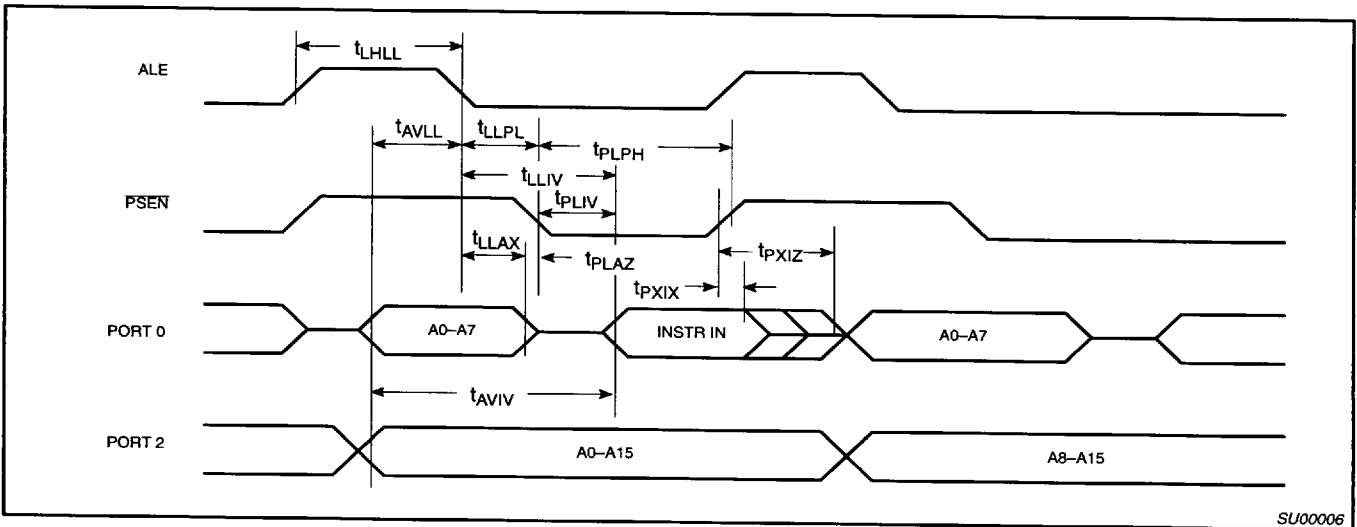


Figure 22. External Program Memory Read Cycle

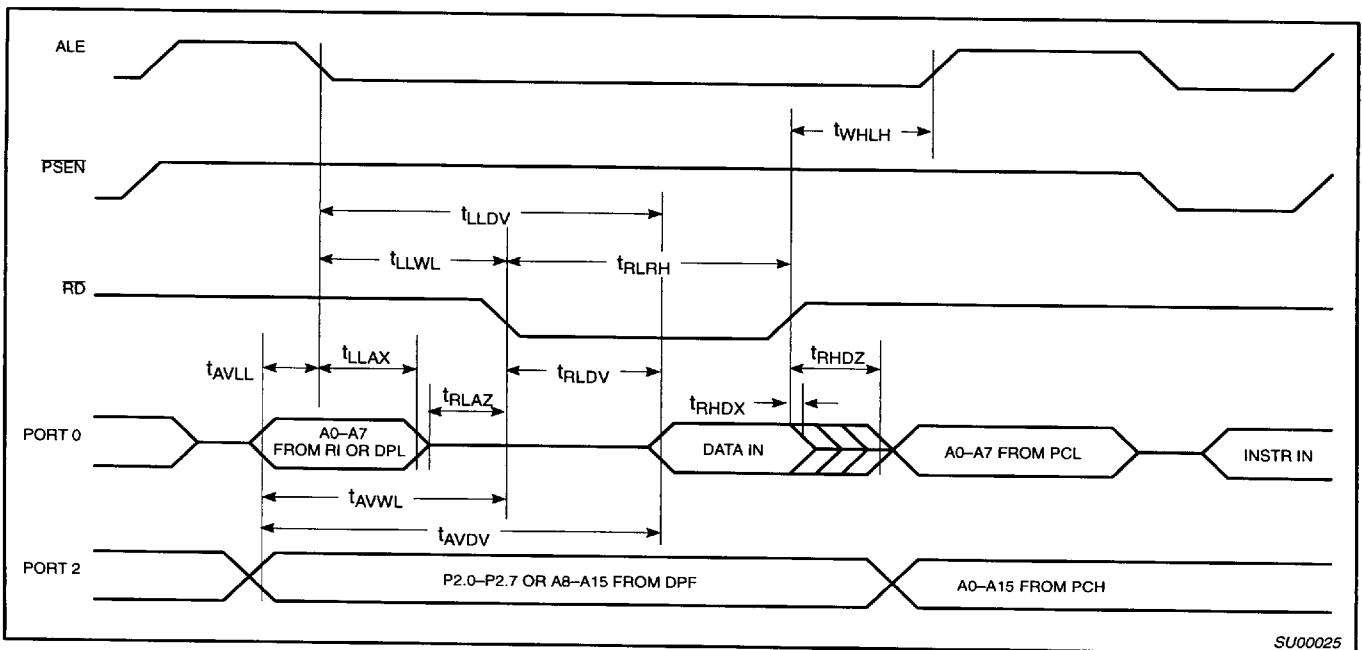


Figure 23. External Data Memory Read Cycle

CMOS single-chip 8-bit microcontrollers

80C575/83C575/87C575

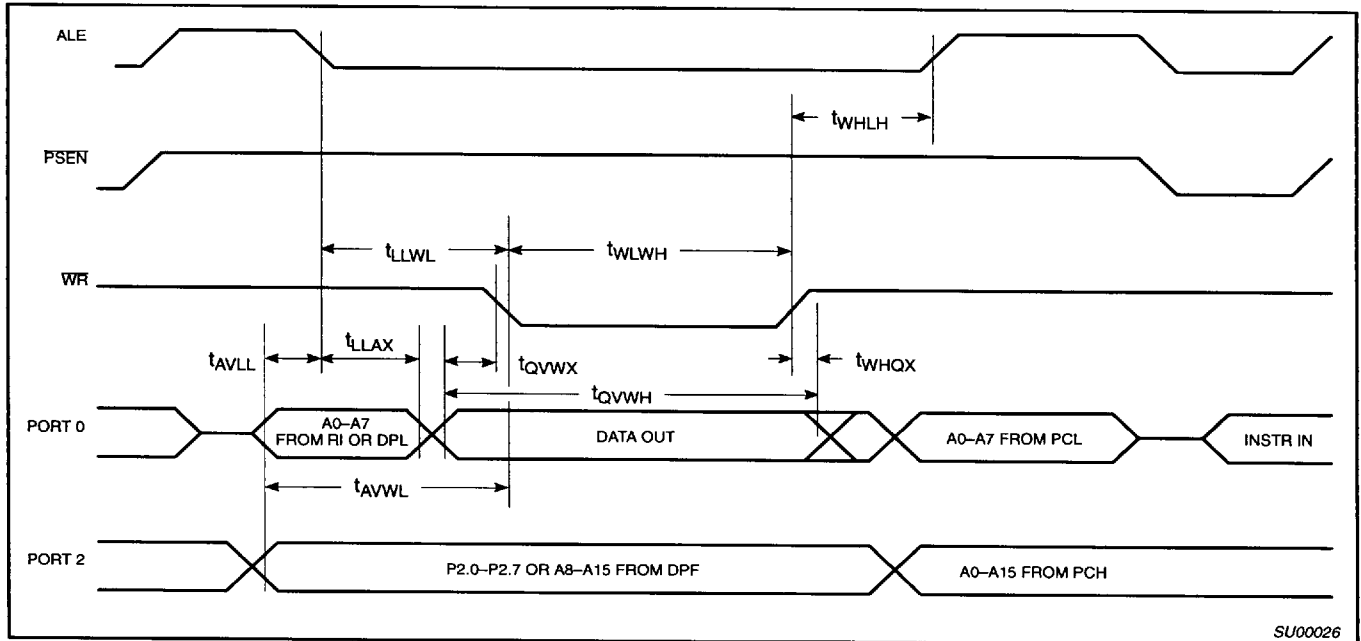


Figure 24. External Data Memory Write Cycle

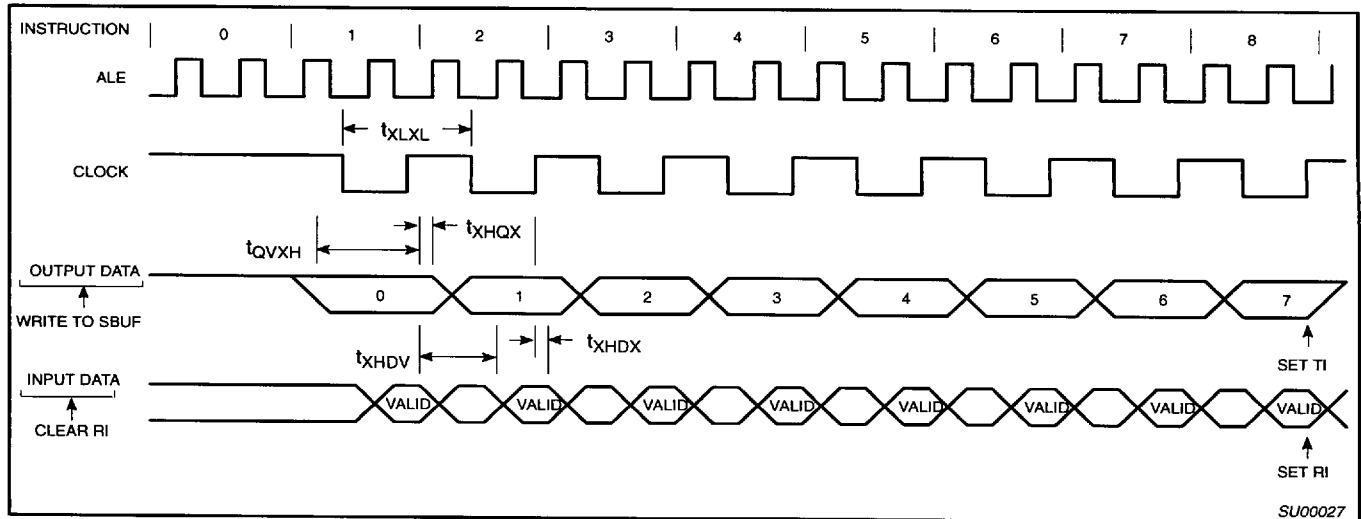


Figure 25. Shift Register Mode Timing

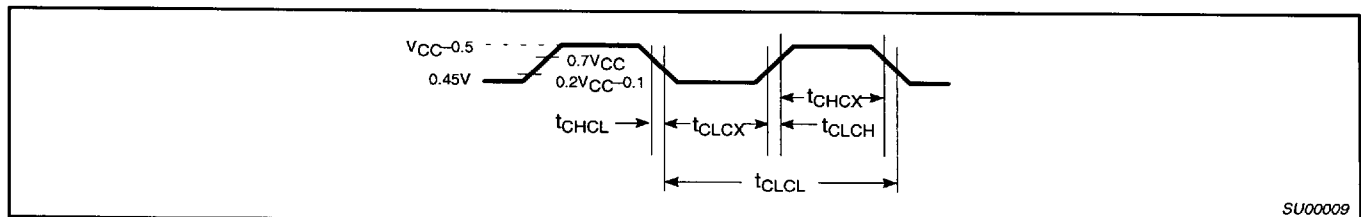


Figure 26. External Clock Drive

CMOS single-chip 8-bit microcontrollers

80C575/83C575/87C575

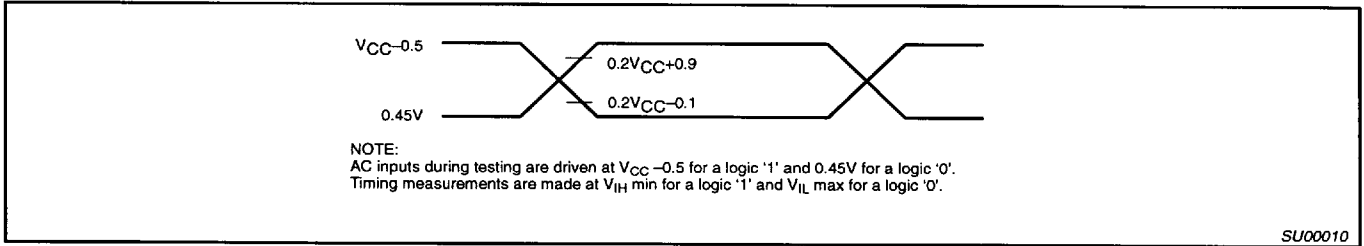


Figure 27. AC Testing Input/Output

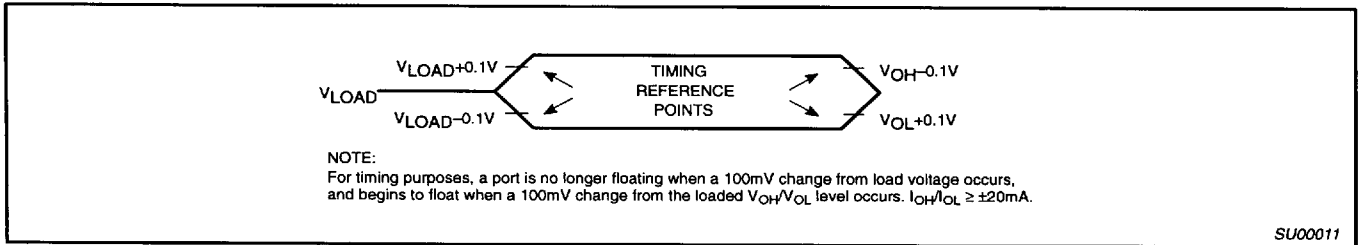


Figure 28. Float Waveform

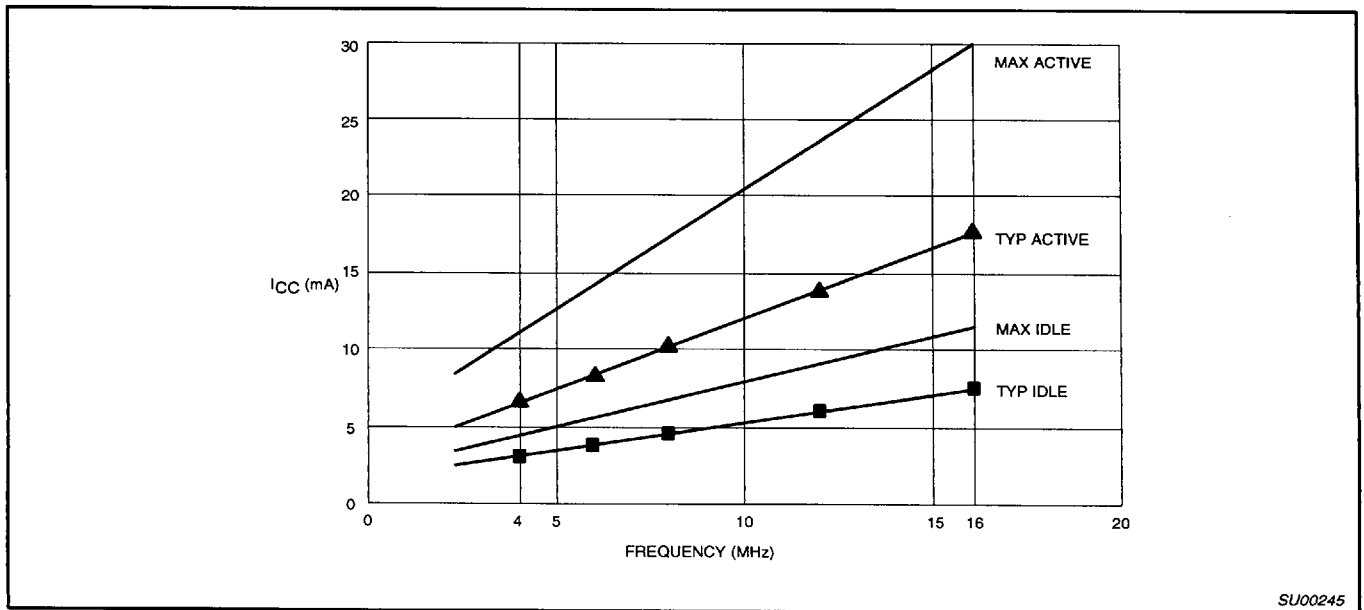
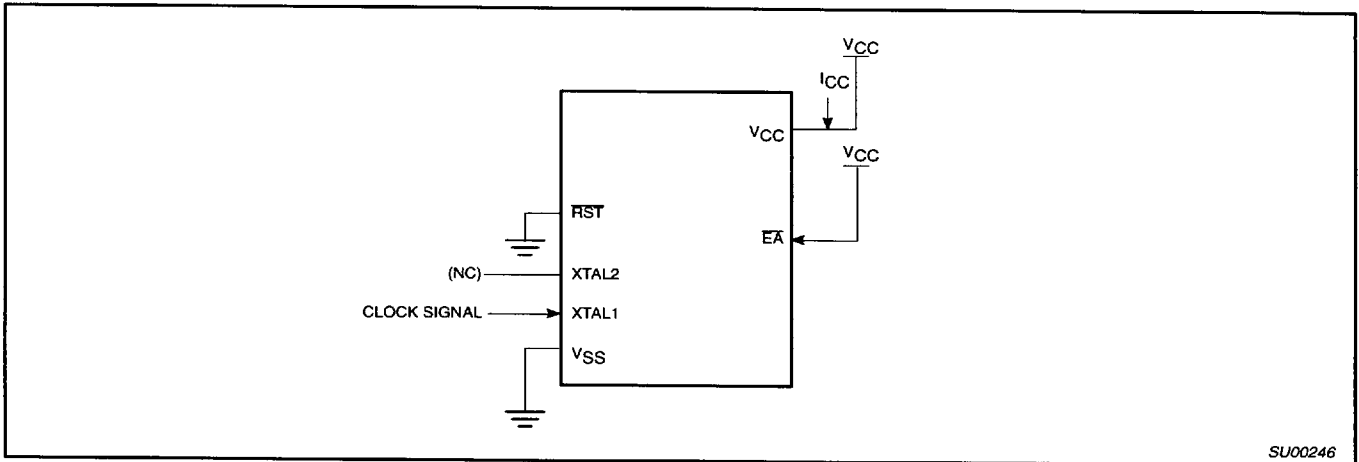


Figure 29. I_{CC} vs. FREQ
Valid only within frequency specifications of the device under test

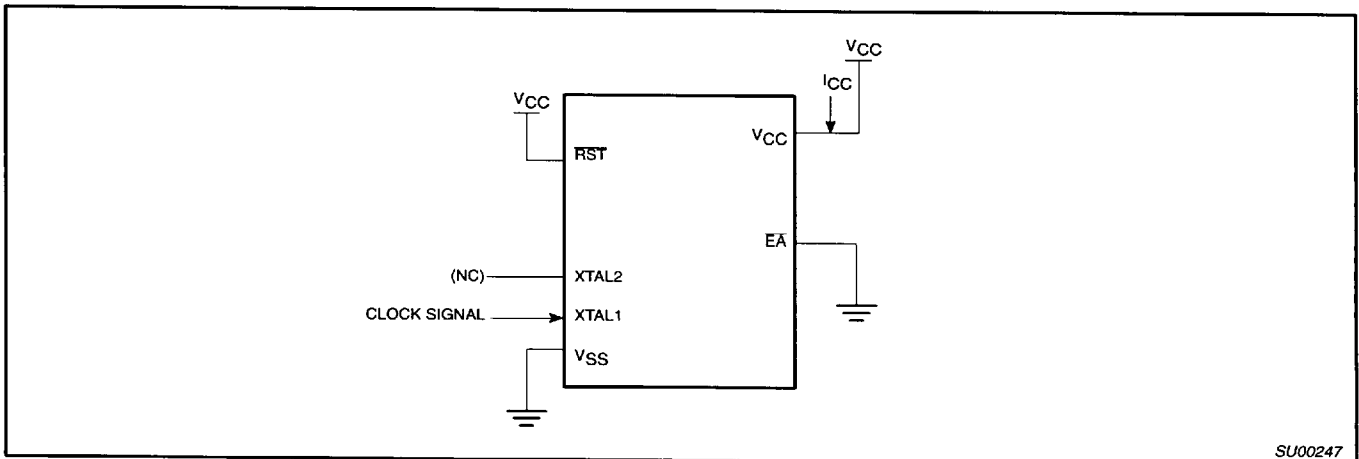
CMOS single-chip 8-bit microcontrollers

80C575/83C575/87C575



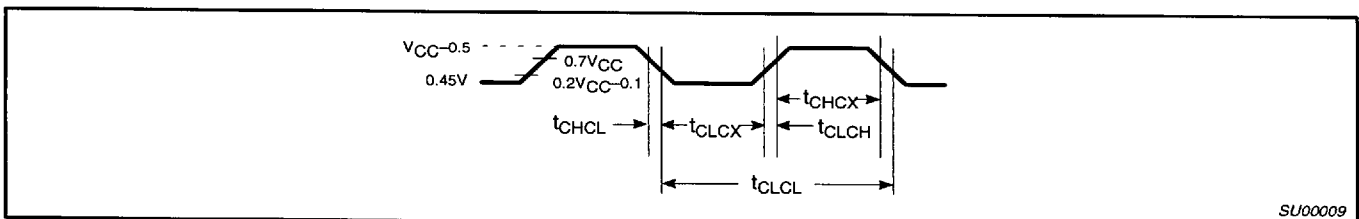
SU00246

Figure 30. I_{CC} Test Condition, Active Mode
All other pins are disconnected



SU00247

Figure 31. I_{CC} Test Condition, Idle Mode
All other pins are disconnected

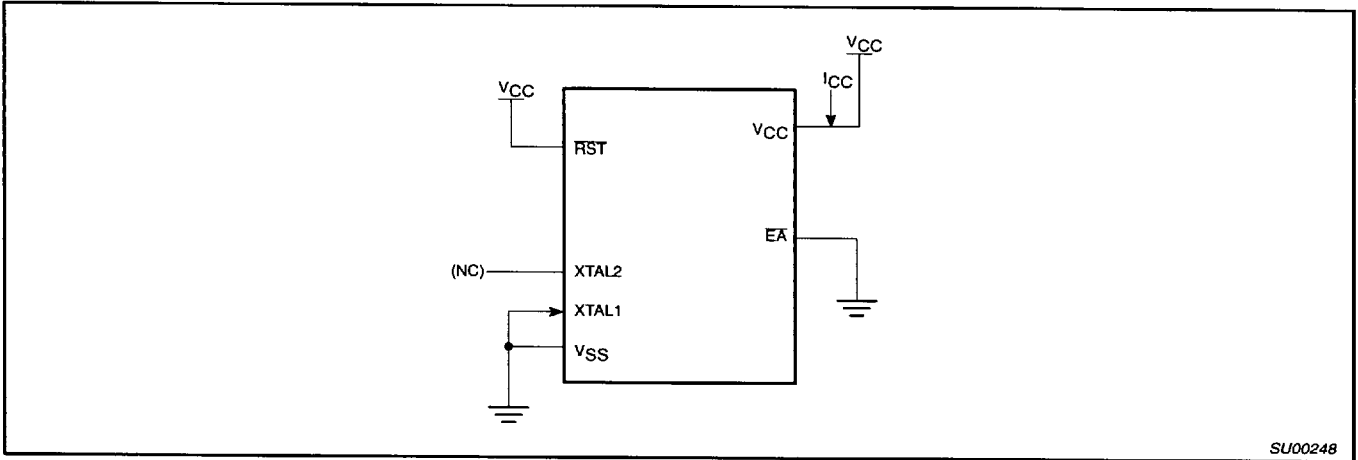


SU00009

Figure 32. Clock Signal Waveform for I_{CC} Tests in Active and Idle Modes
 $t_{CLCH} = t_{CHCL} = 5\text{ns}$

CMOS single-chip 8-bit microcontrollers

80C575/83C575/87C575



SU00248

Figure 33. I_{CC} Test Condition, Power Down Mode
All other pins are disconnected. $V_{CC} = 2V$ to $5.5V$

CMOS single-chip 8-bit microcontrollers

80C575/83C575/87C575

EPROM CHARACTERISTICS

To put the 87C575 in the EPROM programming mode, PSEN must be held high during power up, then driven low with reset active. The 87C575 is programmed by using a modified Quick-Pulse Programming™ algorithm. It differs from older methods in the value used for V_{PP} (programming supply voltage) and in the width and number of the ALE/PROG pulses.

The 87C575 contains two signature bytes that can be read and used by an EPROM programming system to identify the device. The signature bytes identify the device as an 87C575 manufactured by Philips.

Table 3 shows the logic levels for reading the signature byte, and for programming the program memory, the encryption table, and the security bits. The circuit configuration and waveforms for quick-pulse programming are shown in Figures 34 and 35. Figure 36 shows the circuit configuration for normal program memory verification.

Quick-Pulse Programming

The setup for microcontroller quick-pulse programming is shown in Figure 34. Note that the 87C575 is running with a 4 to 6MHz oscillator. The reason the oscillator needs to be running is that the device is executing internal address and program data transfers.

The address of the EPROM location to be programmed is applied to ports 1 and 2, as shown in Figure 34. The code byte to be programmed into that location is applied to port 0. RST, PSEN and pins of ports 2 and 3 specified in Table 3 are held at the 'Program Code Data' levels indicated in Table 3. The ALE/PROG is pulsed low 25 times as shown in Figure 35.

To program the encryption table, repeat the 25 pulse programming sequence for addresses 0 through 1FH, using the 'Pgm Encryption Table' levels. Do not forget that after the encryption table is programmed, verification cycles will produce only encrypted data.

To program the security bits, repeat the 25 pulse programming sequence using the 'Pgm Security Bit' levels. After one security bit is programmed, further programming of the code memory and encryption table is disabled. However, the other security bit can still be programmed.

Note that the EA/V_{PP} pin must not be allowed to go above the maximum specified V_{PP} level for any amount of time. Even a narrow glitch above that voltage can cause permanent damage to the device. The V_{PP} source should be well regulated and free of glitches and overshoot.

Program Verification

If security bit 2 has not been programmed, the on-chip program memory can be read out for program verification. The address of the program memory locations to be read is applied to ports 1 and 2 as shown in Figure 36. The other pins are held at the 'Verify Code Data' levels indicated in Table 3. The contents of the address location will be emitted on port 0. External pull-ups are required on port 0 for this operation.

If the encryption table has been programmed, the data presented at port 0 will be the exclusive NOR of the program byte with one of the encryption bytes. The user will have to know the encryption table contents in order to correctly decode the verification data. The encryption table itself cannot be read out.

Reading the Signature Bytes

The signature bytes are read by the same procedure as a normal verification of locations 030H and 031H, except that P3.6 and P3.7 need to be pulled to a logic low. The values are:

(030H) = 15H indicates manufactured by Philips

(031H) = 97H indicates 87C575

Program/Verify Algorithms

Any algorithm in agreement with the conditions listed in Table 3, and which satisfies the timing specifications, is suitable.

Erasure Characteristics

Erasure of the EPROM begins to occur when the chip is exposed to light with wavelengths shorter than approximately 4,000 angstroms. Since sunlight and fluorescent lighting have wavelengths in this range, exposure to these light sources over an extended time (about 1 week in sunlight, or 3 years in room level fluorescent lighting) could cause inadvertent erasure. **For this and secondary effects, it is recommended that an opaque label be placed over the window.** For elevated temperature or environments where solvents are being used, apply Kapton tape Fluorglas part number 2345-5, or equivalent.

The recommended erasure procedure is exposure to ultraviolet light (at 2537 angstroms) to an integrated dose of at least 15W-s/cm². Exposing the EPROM to an ultraviolet lamp of 12,000µW/cm² rating for 20 to 39 minutes, at a distance of about 1 inch, should be sufficient.

Erasure leaves the array in an all 1s state.

Table 3. EPROM Programming Modes

| MODE | RST | PSEN | ALE/PROG | EA/V _{PP} | P2.7 | P2.6 | P3.7 | P3.6 |
|----------------------|-----|------|----------|--------------------|------|------|------|------|
| Read signature | 0 | 0 | 1 | 1 | 0 | 0 | 0 | 0 |
| Program code data | 0 | 0 | 0* | V _{PP} | 1 | 0 | 1 | 1 |
| Verify code data | 0 | 0 | 1 | 1 | 0 | 0 | 1 | 1 |
| Pgm encryption table | 0 | 0 | 0* | V _{PP} | 1 | 0 | 1 | 0 |
| Pgm security bit 1 | 0 | 0 | 0* | V _{PP} | 1 | 1 | 1 | 1 |
| Pgm security bit 2 | 0 | 0 | 0* | V _{PP} | 1 | 1 | 0 | 0 |

NOTES:

1. '0' = Valid low for that pin, '1' = valid high for that pin.

2. V_{PP} = 12.75V ±0.25V.

3. V_{CC} = 5V ±10% during programming and verification.

* ALE/PROG receives 25 programming pulses while V_{PP} is held at 12.75V. Each programming pulse is low for 100µs (±10µs) and high for a minimum of 10µs.

™Trademark phrase of Intel Corporation.

CMOS single-chip 8-bit microcontrollers

80C575/83C575/87C575

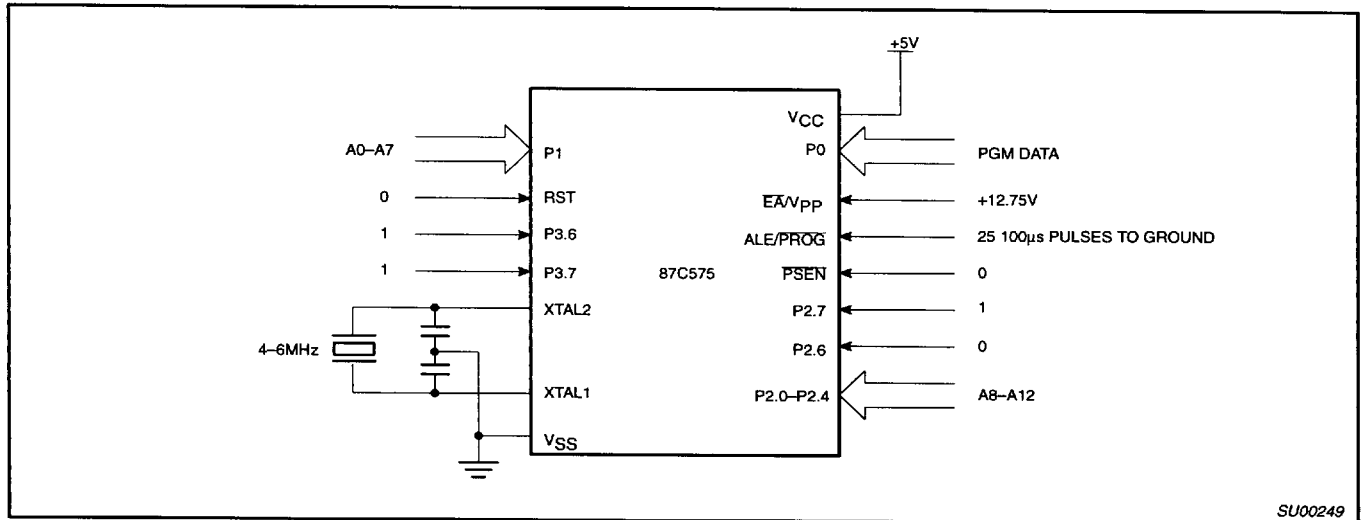


Figure 34. Programming Configuration

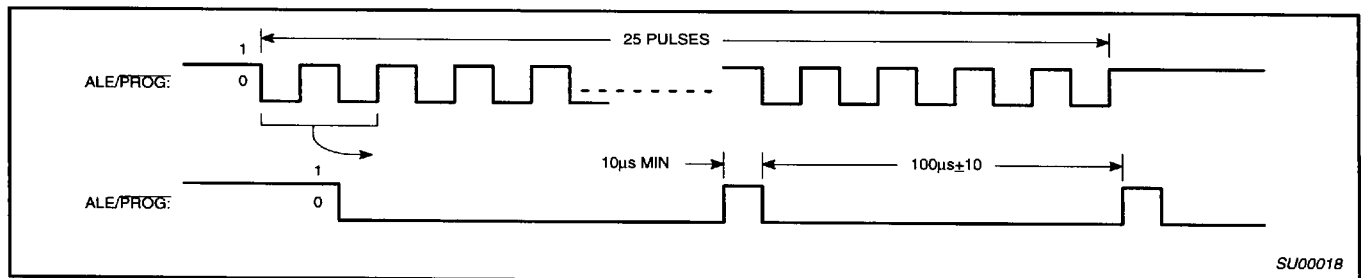


Figure 35. PROG Waveform

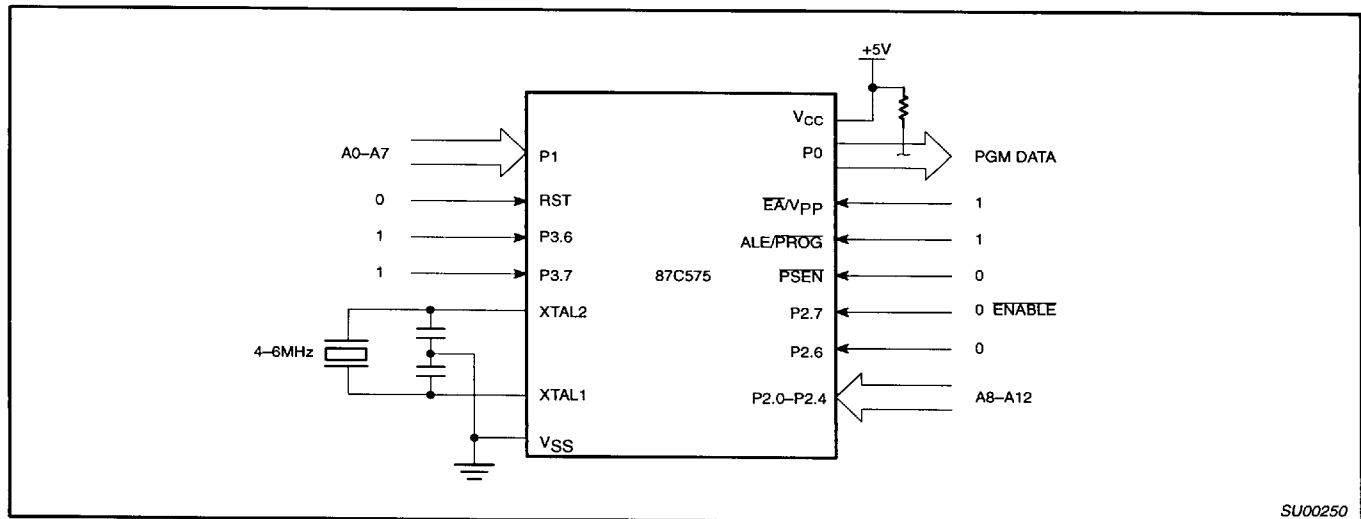


Figure 36. Program Verification

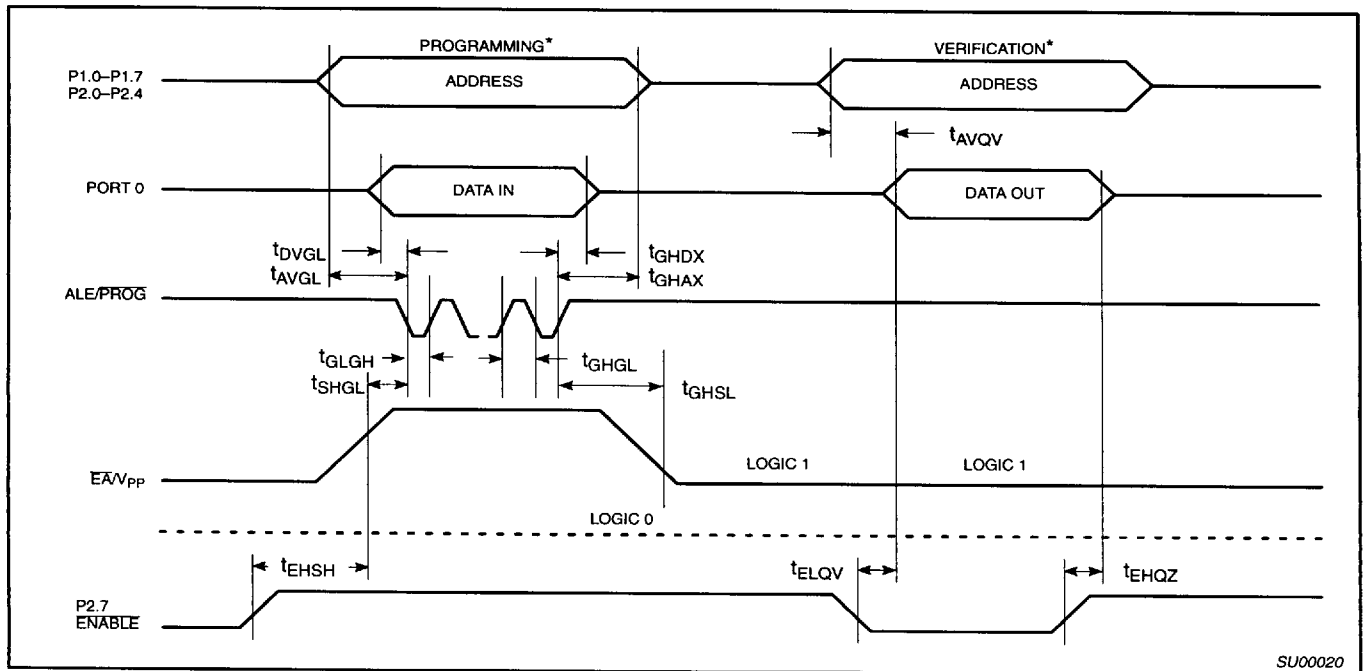
CMOS single-chip 8-bit microcontrollers

80C575/83C575/87C575

EPROM PROGRAMMING AND VERIFICATION CHARACTERISTICS

T_{amb} = 21°C to +27°C, V_{CC} = 5V±10%, V_{SS} = 0V (See Figure 37)

| SYMBOL | PARAMETER | MIN | MAX | UNIT |
|---------------------|---------------------------------------|---------------------|---------------------|------|
| V _{PP} | Programming supply voltage | 12.5 | 13.0 | V |
| I _{PP} | Programming supply current | | 50 | mA |
| 1/t _{CLCL} | Oscillator frequency | 4 | 6 | MHz |
| t _{AVGL} | Address setup to PROG low | 48t _{CLCL} | | |
| t _{GHAX} | Address hold after PROG | 48t _{CLCL} | | |
| t _{DVGL} | Data setup to PROG low | 48t _{CLCL} | | |
| t _{GHDX} | Data hold after PROG | 48t _{CLCL} | | |
| t _{EHS} | P2.7 (ENABLE) high to V _{PP} | 48t _{CLCL} | | |
| t _{SHGL} | V _{PP} setup to PROG low | 10 | | μs |
| t _{GHSL} | V _{PP} hold after PROG | 10 | | μs |
| t _{GLGH} | PROG width | 90 | 110 | μs |
| t _{AVQV} | Address to data valid | | 48t _{CLCL} | |
| t _{ELQZ} | ENABLE low to data valid | | 48t _{CLCL} | |
| t _{EHQZ} | Data float after ENABLE | 0 | 48t _{CLCL} | |
| t _{GHGL} | PROG high to PROG low | 10 | | μs |



SU00020

* FOR PROGRAMMING VERIFICATION SEE FIGURE 34.
FOR VERIFICATION CONDITIONS SEE FIGURE 36.

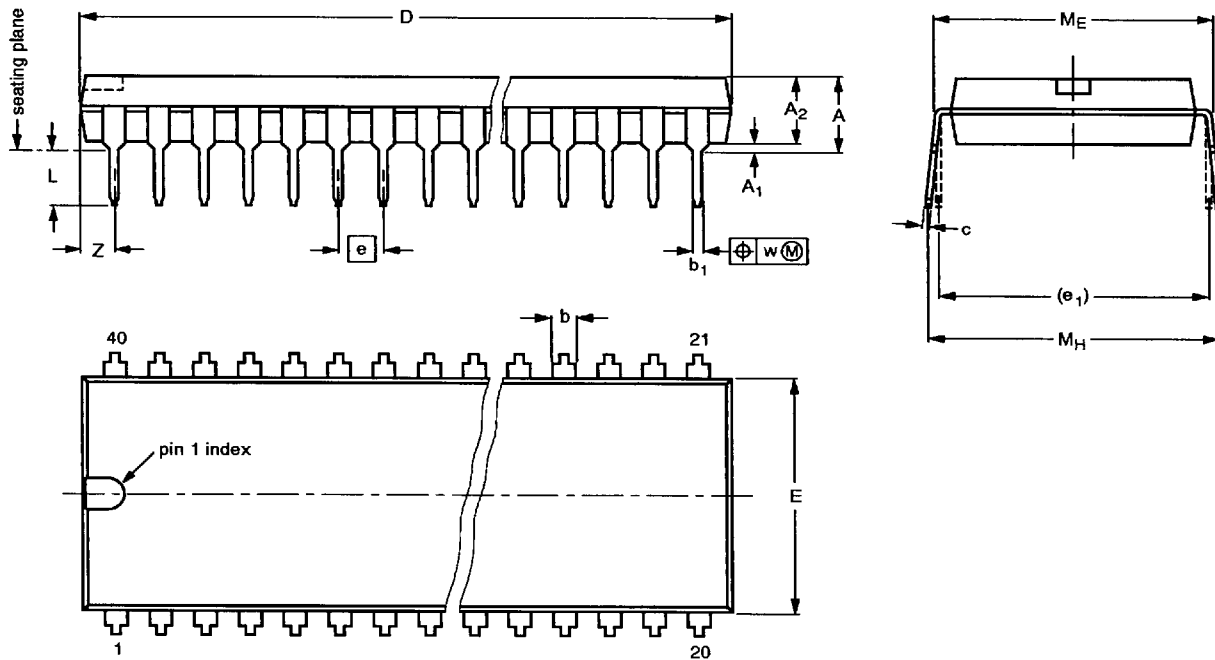
Figure 37. EPROM Programming and Verification

CMOS single-chip 8-bit microcontrollers

80C575/83C575/87C575

DIP40: plastic dual in-line package; 40 leads (600 mil)

SOT129-1



DIMENSIONS (inch dimensions are derived from the original mm dimensions)

| UNIT | A max. | A ₁ min. | A ₂ max. | b | b ₁ | c | D ⁽¹⁾ | E ⁽¹⁾ | e | e ₁ | L | M _E | M _H | w | Z ⁽¹⁾ max. |
|--------|--------|---------------------|---------------------|----------------|----------------|----------------|------------------|------------------|------|----------------|--------------|----------------|----------------|-------|-----------------------|
| mm | 4.7 | 0.51 | 4.0 | 1.70 1.14 | 0.53 0.38 | 0.36 0.23 | 52.50 51.50 | 14.1 13.7 | 2.54 | 15.24 | 3.60 3.05 | 15.80 15.24 | 17.42 15.90 | 0.254 | 2.25 |
| inches | 0.19 | 0.020 | 0.16 | 0.067 0.045 | 0.021 0.015 | 0.014 0.009 | 2.067 2.028 | 0.56 0.54 | 0.10 | 0.60 | 0.14 0.12 | 0.62 0.60 | 0.69 0.63 | 0.01 | 0.089 |

Note

1. Plastic or metal protrusions of 0.25 mm maximum per side are not included.

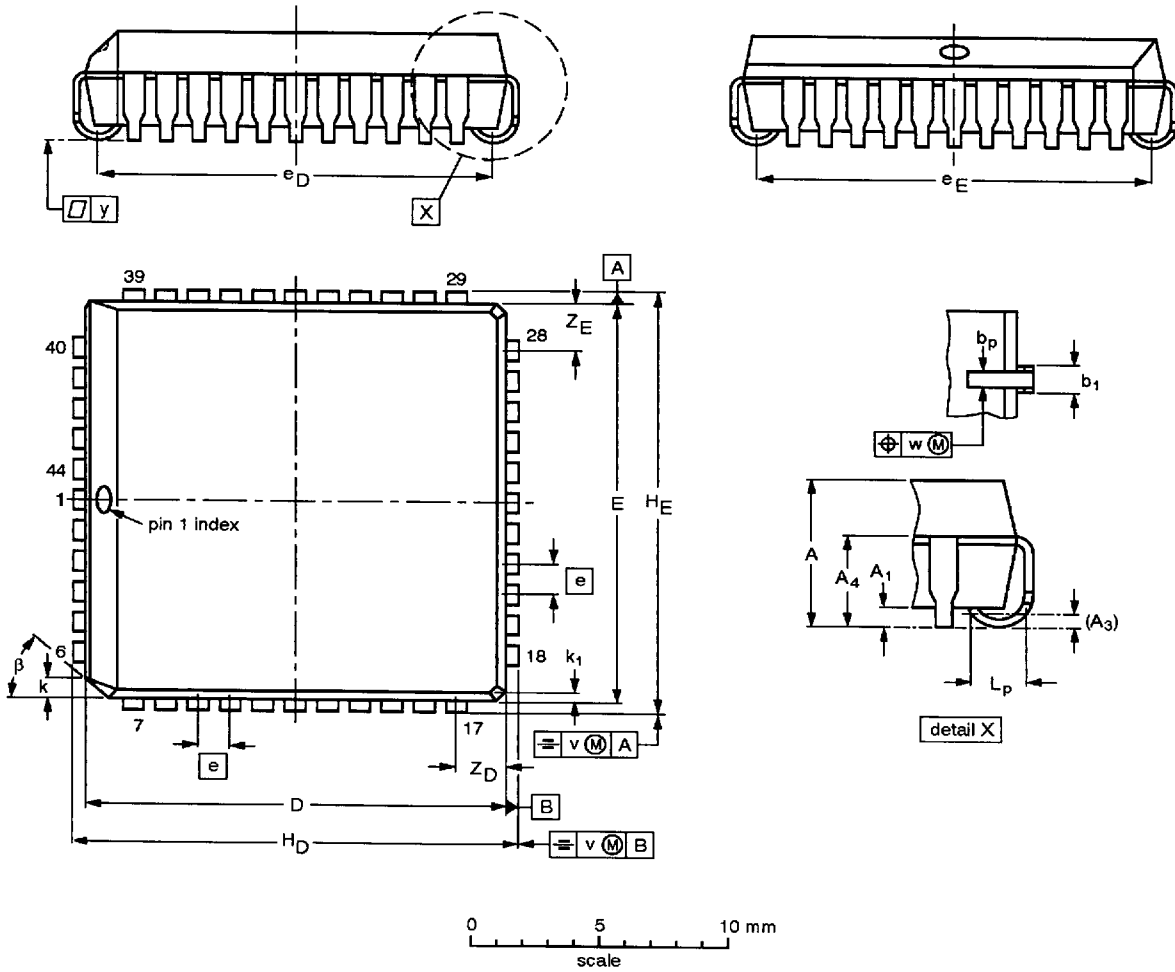
| OUTLINE VERSION | REFERENCES | | | | EUROPEAN PROJECTION | ISSUE DATE |
|-----------------|------------|----------|------|--|---------------------|----------------------|
| | IEC | JEDEC | EIAJ | | | |
| SOT129-1 | 051G08 | MO-015AJ | | | | 92-11-17 95-01-14 |

CMOS single-chip 8-bit microcontrollers

80C575/83C575/87C575

PLCC44: plastic leaded chip carrier; 44 leads

SOT187-2



DIMENSIONS (millimetre dimensions are derived from the original inch dimensions)

| UNIT | A | A ₁ min. | A ₃ | A ₄ max. | b _p | b ₁ | D ⁽¹⁾ | E ⁽¹⁾ | e | e _D | e _E | H _D | H _E | k | k ₁ max. | L _p | v | w | y | Z _D ⁽¹⁾ max. | Z _E ⁽¹⁾ max. | β |
|--------|----------------|------------------------|----------------|------------------------|----------------|----------------|------------------|------------------|------|----------------|----------------|----------------|----------------|----------------|------------------------|----------------|-------|-------|-------|---------------------------------------|---------------------------------------|-----|
| mm | 4.57 4.19 | 0.51 | 0.25 | 3.05 | 0.53 0.33 | 0.81 0.66 | 16.66 16.51 | 16.66 16.51 | 1.27 | 16.00 14.99 | 16.00 14.99 | 17.65 17.40 | 17.65 17.40 | 1.22 1.07 | 0.51 | 1.44 1.02 | 0.18 | 0.18 | 0.10 | 2.16 | 2.16 | 45° |
| inches | 0.180 0.165 | 0.020 | 0.01 | 0.12 | 0.021 0.013 | 0.032 0.026 | 0.656 0.650 | 0.656 0.650 | 0.05 | 0.630 0.590 | 0.630 0.590 | 0.695 0.685 | 0.695 0.685 | 0.048 0.042 | 0.020 | 0.057 0.040 | 0.007 | 0.007 | 0.004 | 0.085 | 0.085 | |

Note

1. Plastic or metal protrusions of 0.01 inches maximum per side are not included.

| OUTLINE VERSION | REFERENCES | | | EUROPEAN PROJECTION | ISSUE DATE |
|-----------------|------------|----------|------|---------------------|----------------------|
| | IEC | JEDEC | EIAJ | | |
| SOT187-2 | 112E10 | MO-047AC | | | 92-11-17 95-02-25 |

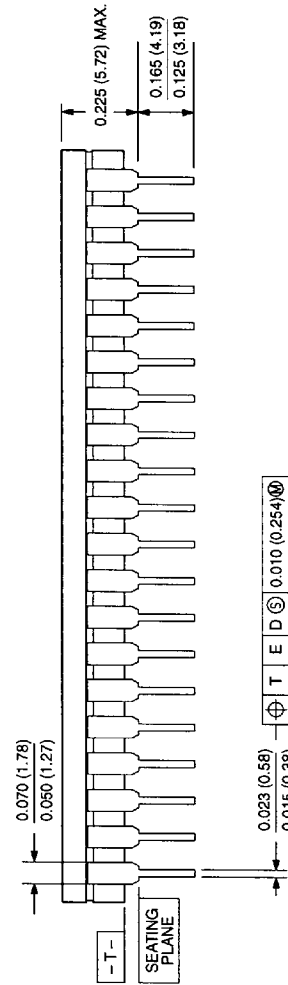
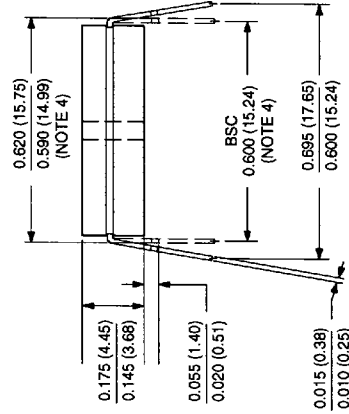
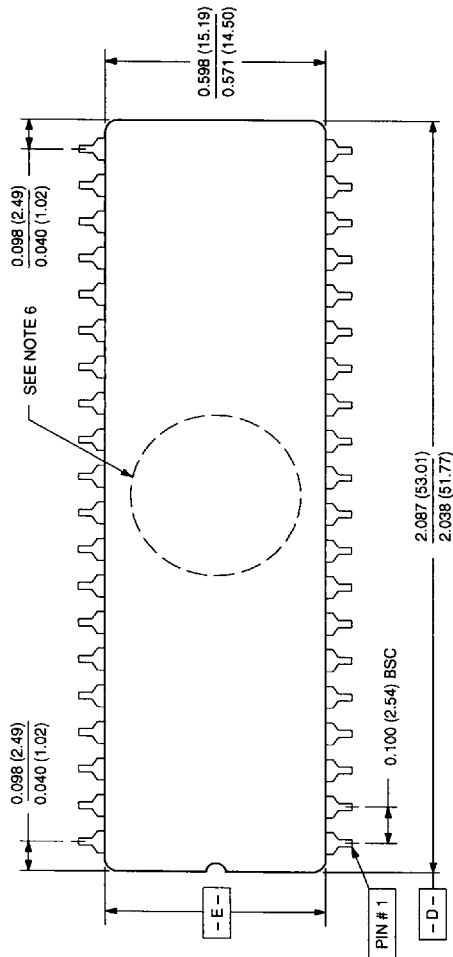
CMOS single-chip 8-bit microcontrollers

80C575/83C575/87C575

0590B 40-PIN (600 mils wide) CERAMIC DUAL IN-LINE (F) PACKAGE (WITH WINDOW (FA) PACKAGE)

NOTES:

1. Controlling dimension: Inches. Millimeters are shown in parentheses.
2. Dimension and tolerancing per ANSI Y14. 5M-1982.
3. "T", "D", and "E" are reference datums on the body and include allowance for glass overrun and meniscus on the seal line, and lid to base mismatch.
4. These dimensions measured with the leads constrained to be perpendicular to plane T.
5. Pin numbers start with Pin #1 and continue counterclockwise to Pin #40 when viewed from the top.
6. Denotes window location for EPROM products.



853-0590B 06688

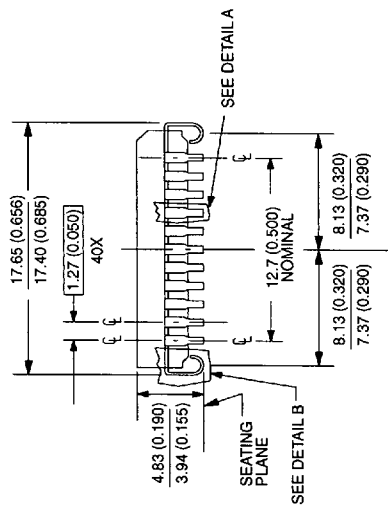
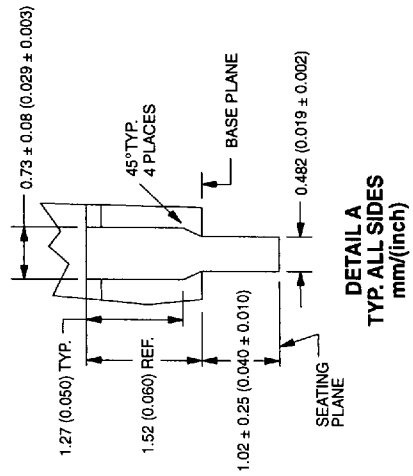
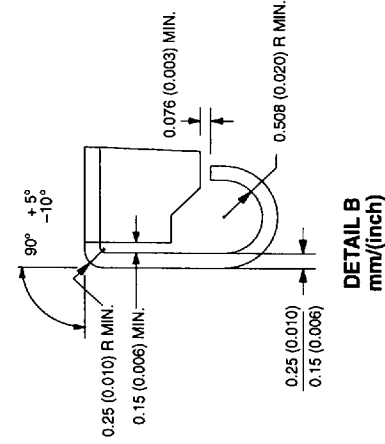
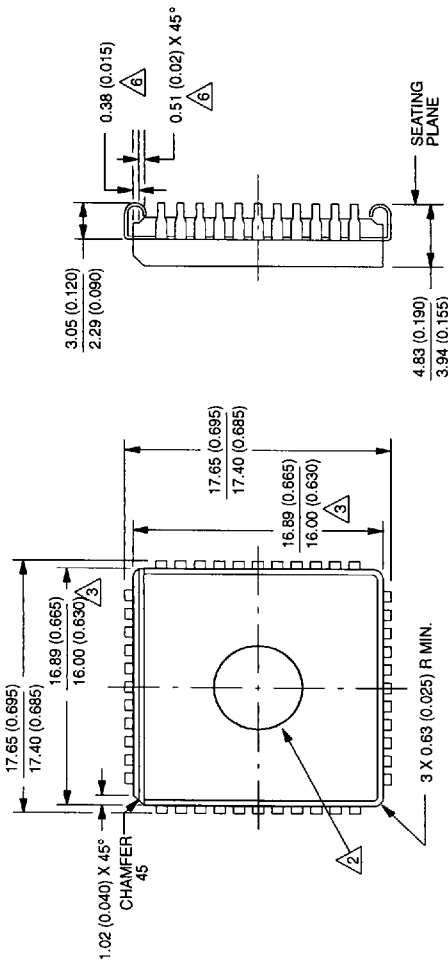
CMOS single-chip 8-bit microcontrollers

80C575/83C575/87C575

1472A 44-PIN CERQUAD J-BEND (K) PACKAGE

NOTES:

1. All dimensions and tolerances to conform to ANSI Y14.5-1982.
2. UV window is optional.
3. Dimensions do not include glass protrusion. Glass protrusion to be 0.005 inches maximum on each side.
4. Controlling dimension millimeters.
5. All dimensions and tolerances include lead trim offset and lead plating finish.
6. Backside solder relief is optional and dimensions are for reference only.



853-1472A 05854