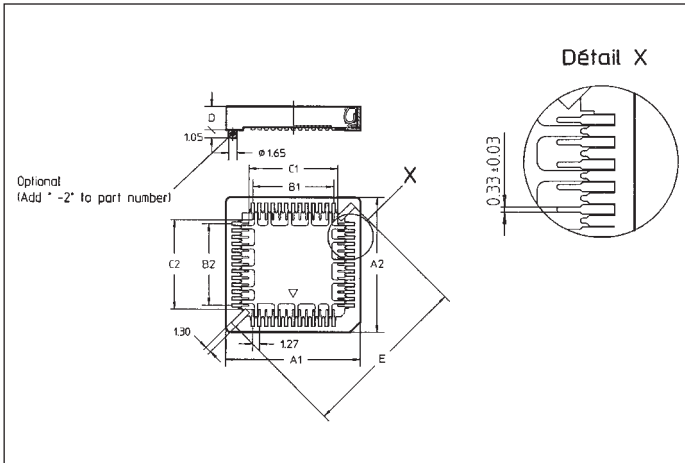


Series 540

Sockets for Plastic Leaded Chip Carriers (PLCC)

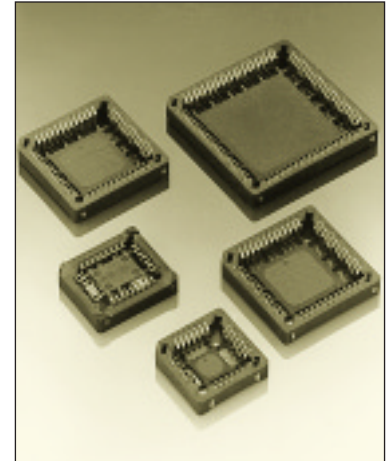
SMT terminations



Series 540 PLCC sockets with SMT terminations come with square sizes for IC-packages according to JEDEC MO-047, rectangular size (32) according to JEDEC MO-052 = low profile

Solder tail width 0.33 mm

Guaranteed coplanarity tolerance of SMT terminations max. 0.10 mm



Plating	Stamped contacts
99	tin-lead over nickel Please note: 99 is only plating available for this product.

Ordering information
Please refer to table Order Codes
Standard packaging: tube

Packaging options:
Tape on reel (add suffix TR, ex 540-99-020-17-400-TR)
For PCB layout see below

No. of poles	Order Codes		Dimensions							
	Standard parts:	Parts with 2 positioning pegs:	A ₁	A ₂	B ₁	B ₂	C ₁	C ₂	D	E
20	540-99-020-17-400	540-99-020-17-400-2	14.86	14.86	5.08	5.08	7.26	7.26	4.60	16.00
28	540-99-028-17-400	540-99-028-17-400-2	17.40	17.40	7.62	7.62	9.80	9.80	4.60	19.70
32*	540-99-032-17-400	540-99-032-17-400-2	16.90	19.45	7.62	10.16	9.61	12.16	3.90	22.00
44	540-99-044-17-400	540-99-044-17-400-2	22.48	22.48	12.70	12.70	14.88	14.88	4.60	27.00
52	540-99-052-17-400	540-99-052-17-400-2	25.40	25.40	15.24	15.24	17.50	17.50	4.60	30.80
68	540-99-068-17-400	540-99-068-17-400-2	30.54	30.54	20.32	20.32	22.50	22.50	4.60	37.65
84	540-99-084-17-400	540-99-084-17-400-2	35.56	35.56	25.40	25.40	27.62	27.62	4.60	45.10

* rectangular

PCB layout SMD types Series 540...

