

### Metallized Polyester Film Capacitor

Type: **ECQE(B)**

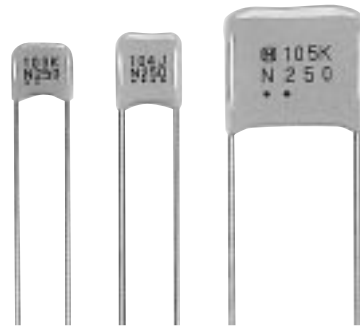
Non-inductive construction using metallized polyester film with flame retardant epoxy resin coating

#### ■Features

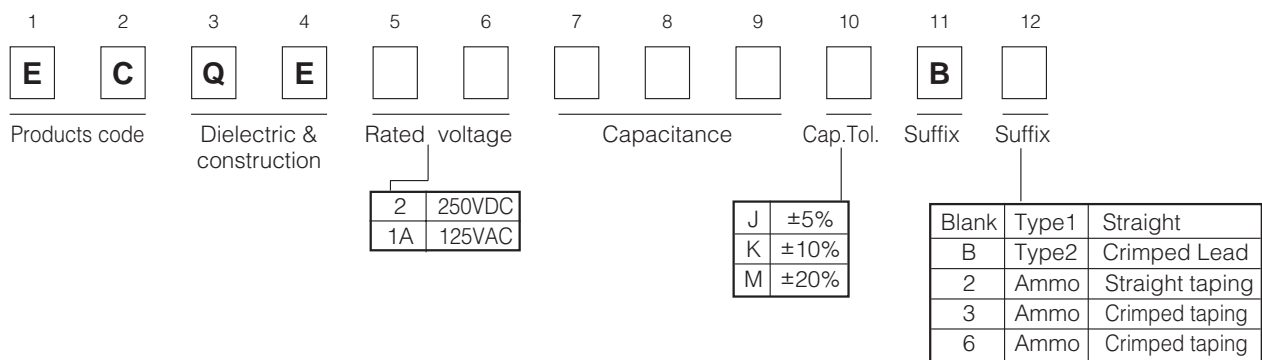
- Small size
- Excellent electrical characteristics

#### ■Recommended Applications

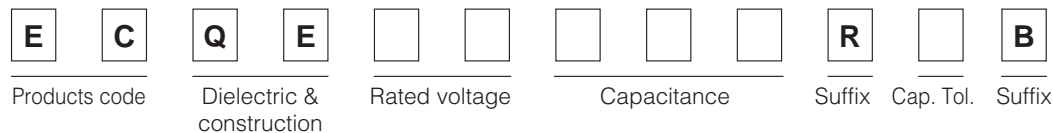
- General purpose usage
- ※Please contact us when applications are CD I , ignitor etc.



#### ■Explanation of Part Numbers



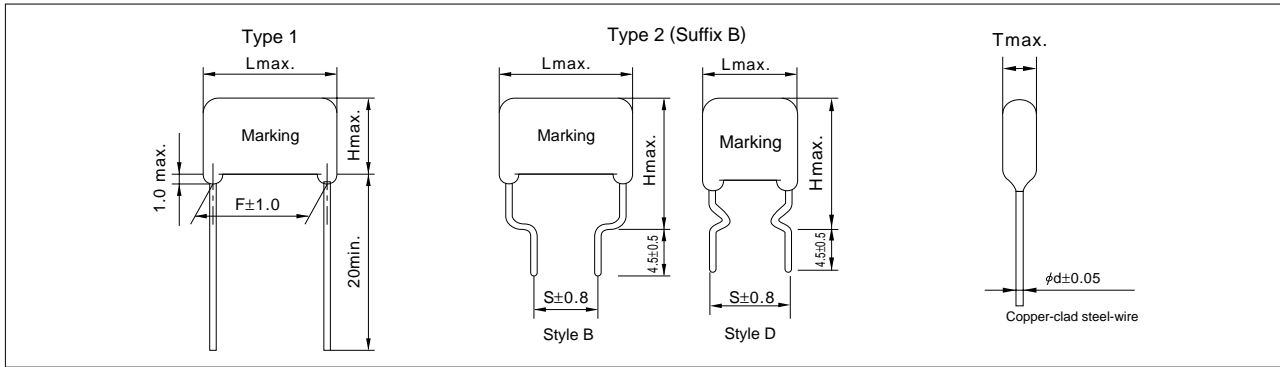
#### ■Explanation of Part Numbers for Odd Size Taping



#### ■Specifications

Category temp. range	-40 to +85°C(+105°C...75% of Rated voltage only 250VDC)	
Rated voltage	250VDC, 125VAC	
Capacitance range	0.01 to 4.7 μF	
Capacitance tolerance	±5%(J), ±10%(K), (±20%(M) only 125VAC)	
Dissipation factor	1.0 % max. (20°C 1kHz)	
Withstand voltage	Rated volt. 250VDC Between terminals : Rated vol. (VDC)×150% 60s	
	Rated volt. 125VAC Between terminals : Rated volt. (VAC)×230% 60s Between terminals to enclosure:1500 VAC 60s	
Insulation resistance	250VDC	C≤0.33μF : 9000MΩ min. (20°C 100VDC 60s) C>0.33μF : 3000MΩ · μFmin. (20°C 100VDC 60s)
	125VAC	C≤0.47μF : 2000MΩ min. (20°C 500VDC 60s) C>0.47μF : 3000MΩ · μF min. (20°C 100VDC 60s)

### ■Dimensions in mm(not to scale)

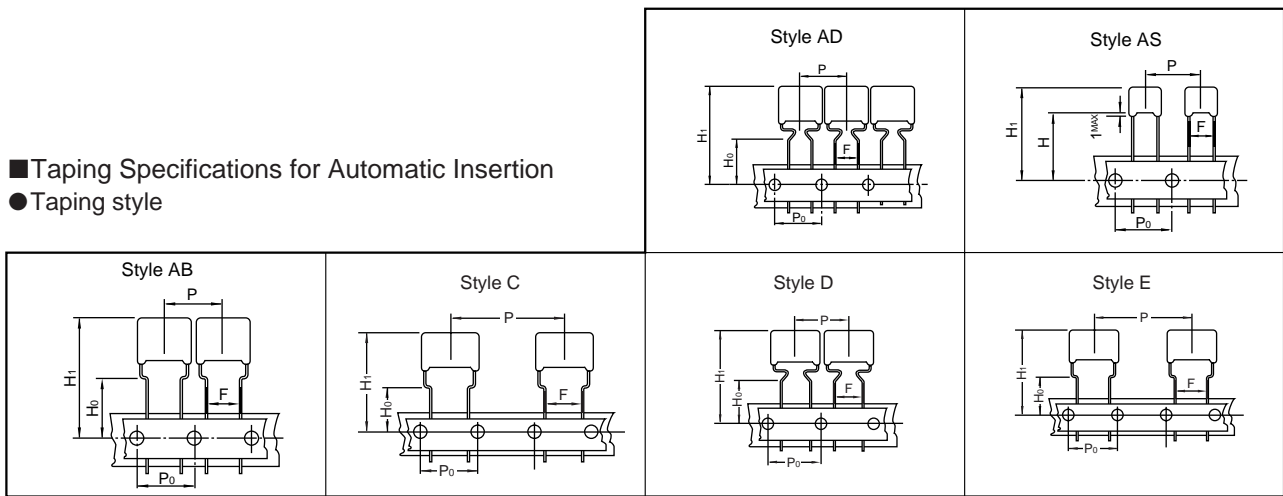


### ■Packaging Specifications for Bulk Package

Packing quantity : 100pcs./bag

### ■Taping Specifications for Automatic Insertion

#### ●Taping style



\*See page 22 for Taping dimensions

#### ●Packaging Specifications

Type	Rated volt.	Cap.range (μF)	Taping Style							Packing
			AD	AS	AB	B	C	D	E	
ECQE (B)	250VDC	0.01 to 0.15		○						Ammo
		0.18 to 0.68	○							Ammo
		0.82 to 1.5					○			Ammo
		1.8 to 4.7							○	Ammo
	125VAC	0.01 to 0.068		○						Ammo
		0.082 to 0.22			○					Ammo
		0.27 to 1.0					○			Ammo
		0.082 to 0.68						○		Ammo
		0.82 to 2.7							○	Ammo
		1.2 to 2.7					○			Ammo

#### ●Lead Spacing

Style	Lead Spacing
AD	5.0mm
AS	5.0mm
AB	5.0mm
C	5.0mm
D	7.5mm
E	7.5mm

\*See the column "Rating, Dimensions & Quantity Box" for packing quantity.

■ Rating, Dimensions & Quantity/Ammo Box

● Rated voltage : 250VDC, Capacitance tolerance : ±5%(J), ±10%(K)

Part No.	Cap. ( $\mu$ F)	Dimensions (mm)							Quantity			
		L <sub>max.</sub>	T <sub>max.</sub>	H <sub>max.</sub>		F	S	$\phi$ d	Ammo			
				Type-1	Type-2				Type-1	Type-2	Standard 5mm	Odd size 5mm
ECQE2103□B( )	0.01	7.9	4.2	7.1	12.1	5.0	5.0	0.50	2000	—	—	
ECQE2123□B( )	0.012	7.9	4.2	7.1	12.1	5.0	5.0	0.50				
ECQE2153□B( )	0.015	7.9	4.2	7.1	12.1	5.0	5.0	0.50				
ECQE2183□B( )	0.018	7.9	4.3	7.2	12.2	5.0	5.0	0.50				
ECQE2223□B( )	0.022	7.9	4.3	7.2	12.2	5.0	5.0	0.50				
ECQE2273□B( )	0.027	7.9	4.3	7.2	12.2	5.0	5.0	0.50				
ECQE2333□B( )	0.033	7.9	4.3	7.2	12.2	5.0	5.0	0.50				
ECQE2393□B( )	0.039	7.9	4.5	7.4	12.4	5.0	5.0	0.50	1500	—	—	
ECQE2473□B( )	0.047	7.9	4.5	7.4	12.4	5.0	5.0	0.50				
ECQE2563□B( )	0.056	7.9	4.7	7.7	12.7	5.0	5.0	0.50				
ECQE2683□B( )	0.068	7.9	5.1	8.0	13.0	5.0	5.0	0.50				
ECQE2823□B( )	0.082	7.9	5.4	8.6	13.6	5.0	5.0	0.50				
ECQE2104□B( )	0.1	7.9	5.9	9.0	14.0	5.0	5.0	0.50	1000	—	—	
ECQE2124□B( )	0.12	7.9	5.7	10.6	15.6	5.0	5.0	0.50	1500			
ECQE2154□B( )	0.15	7.9	6.3	11.2	16.2	5.0	5.0	0.50	1000			
ECQE2184□B( )	0.18	10.3	5.0	9.7	14.7	7.5	5.0	0.50	1500			1500
ECQE2224□B( )	0.22	10.3	5.4	10.1	15.1	7.5	5.0	0.50				
ECQE2274□B( )	0.27	10.3	5.9	10.8	15.8	7.5	5.0	0.50	1000			1000
ECQE2334□B( )	0.33	10.3	6.4	11.3	16.3	7.5	5.0	0.50				
ECQE2394□B( )	0.39	12.3	5.7	10.9	15.9	10.0	5.0	0.60				
ECQE2474□B( )	0.47	12.3	6.2	11.4	16.4	10.0	5.0	0.60				
ECQE2564□B( )	0.56	12.3	6.7	11.9	16.9	10.0	5.0	0.60				
ECQE2684□B( )	0.68	12.3	7.3	12.7	17.7	10.0	5.0	0.60				
ECQE2824□B( )	0.82	15.3	6.3	13.3	18.3	12.5	5.0	0.60	—	600	500	
ECQE2105□B( )	1.0	15.3	7.0	14.0	19.0	12.5	5.0	0.60		500	400	
ECQE2125□B( )	1.2	15.3	7.6	14.6	19.6	12.5	5.0	0.60		400	300	
ECQE2155□B( )	1.5	15.3	8.6	15.7	20.7	12.5	5.0	0.60		—	400	
ECQE2185□B( )	1.8	20.8	7.6	14.6	19.6	17.5	10.0	0.80				
ECQE2225□B( )	2.2	20.8	8.4	15.6	20.6	17.5	10.0	0.80				
ECQE2275□B( )	2.7	20.8	9.3	16.7	21.7	17.5	10.0	0.80				
ECQE2335□B( )	3.3	20.8	10.5	17.9	22.9	17.5	10.0	0.80		—	300	
ECQE2395□B( )	3.9	20.8	10.8	19.8	24.8	17.5	10.0	0.80				
ECQE2475□B( )	4.7	20.8	11.9	21.0	26.0	17.5	10.0	0.80				200

↑      ↑  
 ——— Suffix for lead crimped or taped type  
 ——— Cap. tol. code

StyleD:0.01 to 0.68 $\mu$ F  
 StyleB:0.82 to 4.7 $\mu$ F

■ Rating, Dimensions & Quantity/Ammo Box

● Rated voltage : 125VAC Capacitance tolerance : ±5%(J), ±10%(K), ±20%(M)

Part No.	Cap. ( $\mu$ F)	Dimensions (mm)							Quantity		
		L <sub>max.</sub>	T <sub>max.</sub>	H <sub>max.</sub>		F	S	$\phi$ d	Ammo		
				Type-1	Type-2				Type-1	Type-2	Standard 5mm
ECQE1A103□B( )	0.01	7.9	4.2	7.1		5.0		0.50	2000	—	—
ECQE1A123□B( )	0.012	7.9	4.2	7.1		5.0		0.50			
ECQE1A153□B( )	0.015	7.9	4.2	7.1		5.0		0.50			
ECQE1A183□B( )	0.018	7.9	4.3	7.2		5.0		0.50			
ECQE1A223□B( )	0.022	7.9	4.3	7.2		5.0		0.50			
ECQE1A273□B( )	0.027	7.9	4.3	7.2		5.0		0.50			
ECQE1A333□B( )	0.033	7.9	4.3	7.2		5.0		0.50			
ECQE1A393□B( )	0.039	7.9	4.5	7.4		5.0		0.50			
ECQE1A473□B( )	0.047	7.9	4.8	7.7		5.0		0.50			
ECQE1A563□B( )	0.056	7.9	5.1	8.0		5.0		0.50			
ECQE1A683□B( )	0.068	7.9	5.4	8.6		5.0		0.50			
ECQE1A823□B( )	0.082	10.3	5.6	7.6	12.6	7.5	7.5	0.50	1500	—	1500
ECQE1A104□B( )	0.1	10.3	5.1	7.7	12.7	7.5	7.5	0.50			
ECQE1A124□B( )	0.12	10.3	5.3	8.4	13.4	7.5	7.5	0.50			
ECQE1A154□B( )	0.15	10.3	5.7	8.9	13.9	7.5	7.5	0.50			
ECQE1A184□B( )	0.18	10.3	5.6	10.3	15.3	7.5	7.5	0.50			
ECQE1A224□B( )	0.22	10.3	6.1	11.0	16.0	7.5	7.5	0.50			
ECQE1A274□B( )	0.27	12.3	5.4	10.7	15.7	10.0	7.5	0.60			
ECQE1A334□B( )	0.33	12.3	5.9	11.2	16.2	10.0	7.5	0.60			
ECQE1A394□B( )	0.39	12.3	6.4	11.6	16.6	10.0	7.5	0.60			
ECQE1A474□B( )	0.47	12.3	7.0	12.2	17.2	10.0	7.5	0.60			
ECQE1A564□B( )	0.56	12.3	6.7	11.9	16.9	10.0	7.5	0.60			
ECQE1A684□B( )	0.68	12.3	7.3	12.7	17.7	10.0	7.5	0.60			
ECQE1A824□B( )	0.82	15.3	6.3	13.3	18.3	12.5	7.5	0.60			
ECQE1A105□B( )	1.0	15.3	7.0	14.0	19.0	12.5	7.5	0.60			
ECQE1A125□B( )	1.2	20.8	7.1	14.1	19.1	17.5	10.0	0.80			
ECQE1A155□B( )	1.5	20.8	8.0	15.1	20.1	17.5	10.0	0.80			
ECQE1A185□B( )	1.8	20.8	8.7	15.9	20.9	17.5	10.0	0.80			
ECQE1A225□B( )	2.2	20.8	9.7	17.1	22.1	17.5	10.0	0.80			
ECQE1A275□B( )	2.7	20.8	10.9	18.2	23.2	17.5	10.0	0.80			
ECQE1A335□B( )	3.3	25.8	9.6	18.7	23.7	22.5	15.0	0.80			
ECQE1A395□B( )	3.9	25.8	10.6	19.7	24.7	22.5	15.0	0.80			
ECQE1A475□B( )	4.7	25.8	11.8	20.8	25.8	22.5	15.0	0.80			

Suffix for lead crimped or taped type  
 Cap. tol. code

StyleD:0.082 to 0.68 $\mu$ F  
 StyleB:0.82 to 4.7 $\mu$ F

\* When using these capacitors as a across-the-line capacitor it shall be required to follow either item 1.or item2.condition.

- 1.Capacitor shall be connected in parallel with varistor which varistor voltage is less than 250V.
- 2.Voltage applied for capacitor shall not exceed other than 250V<sub>o-p</sub> when using these capacitor.