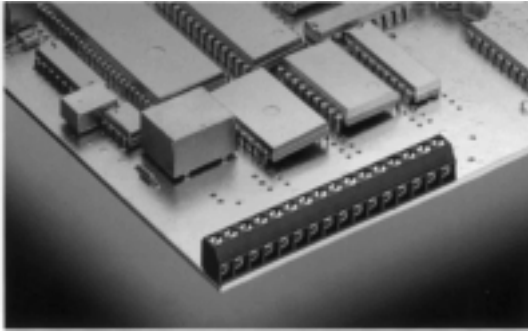


ED555/XDS



2-16 poles, Spacing 3.5 mm
insert required no. of poles \times
How to order see page 5



Ratings:

Rated Voltage	150 V	130 V
Rated Current	6 A	13.5 A (T60)
Wire Size	AWG 28-16	1.0 mm ²
Test Voltage		2.0 kV
Rated Torque/ScrewSize		0.4 Nm/M2

Max. Rated Cross Section

Single Wire (solid)	1.5 mm ²
Stranded Wire (flexible)	1.5 mm ²
Stranded wire with Ferrules	0.75 mm ²

Dimensions

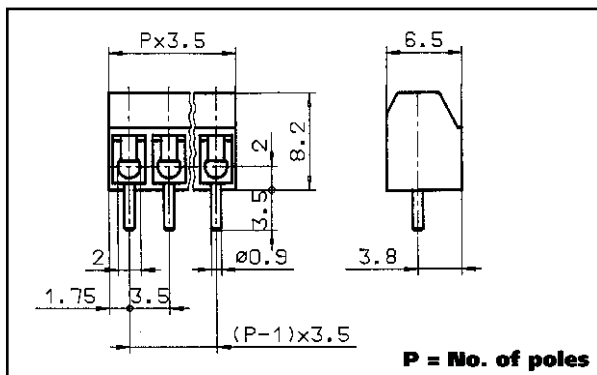
Spacing	3.5 mm
PCB Hole Diameter	1.2 mm
Stripped Length	5.5 mm

Materials

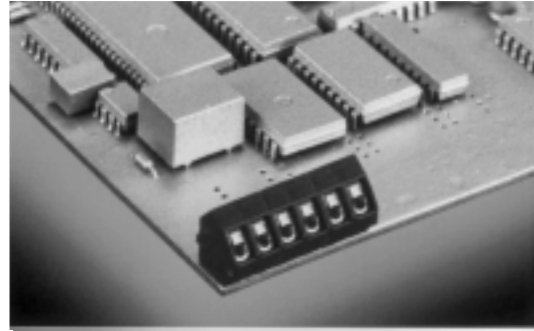
Insulating Material	PA
Flammability Class	UL94 V-0
Temperature Range	-30°C/+105°C
Terminal Block	CuZn
Wire Guard	Stainless Steel

Color

Grey



ED590/XDS



2-12 poles, Spacing 5.0 mm
insert required no. of poles \times
How to order see page 5



Ratings:

Rated Voltage	300 V	250 V
Rated Current	15 A	17.5 A (T60)
Wire Size	AWG 22-14	1.5 mm ²
Test Voltage		2.0 kV
Rated Torque/ScrewSize		0.4 Nm/M2.6

Max. Rated Cross Section

Single Wire (solid)	1.5 mm ²
Stranded Wire (flexible)	1.5 mm ²
Stranded wire with Ferrules	0.75 mm ²

Dimensions

Spacing	5.0 mm
PCB Hole Diameter	1.3 mm
Stripped Length	6.0 mm

Materials

Insulating Material	PA
Flammability Class	UL94 V-0
Temperature Range	-30°C/+105°C
Terminal Block	CuZn
Wire Guard	Stainless Steel

Color

Blue

