

# APPLICATION NOTE



## AN262

# PCA954X FAMILY OF I<sup>2</sup>C / SMBus MULTIPLEXERS and SWITCHES

PCA9540, PCA9542, PCA9543, PCA9544, PCA9545, PCA9546, PCA9548

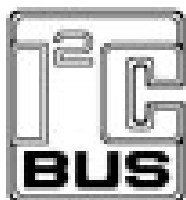
Abstract - Philips Semiconductors family of Multiplexers and Switches are detailed in this application note that discusses device operation, software programming, pull up resistor sizing/bus termination and typical applications.

**Paul Boogaards** - Field Application Engineer

**Jean-Marc Irazabal** - PCA Technical Marketing Manager

**Steve Blozis** - PCA International Product Manager

Specialty Logic Product Line  
Logic Product Group



**Philips Semiconductors**

**March 25, 2002**

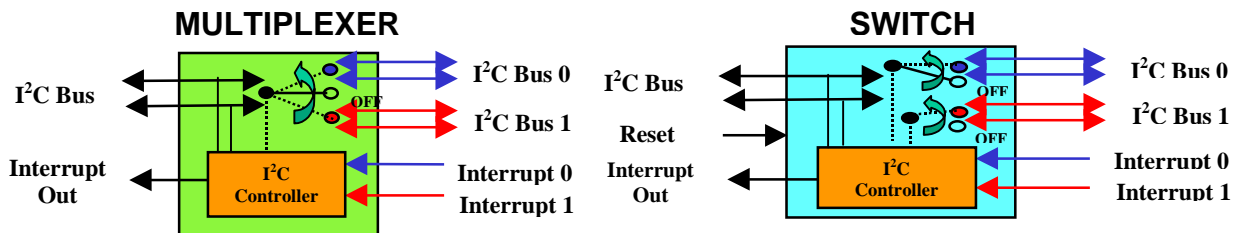
# TABLE OF CONTENTS

|  |           |
|--|-----------|
| <b>TABLE OF CONTENTS .....</b>             | <b>2</b>  |
| <b>OVERVIEW.....</b>                       | <b>3</b>  |
| DESCRIPTION .....                          | 3         |
| APPLICATIONS .....                         | 3         |
| FEATURES.....                              | 3         |
| OPERATING CHARACTERISTICS .....            | 4         |
| DEVICE PINOUT .....                        | 5         |
| ORDERING INFORMATION .....                 | 5         |
| DATA SHEETS AND IBIS MODELS .....          | 5         |
| <b>TECHNICAL INFORMATION.....</b>          | <b>5</b>  |
| BLOCK DIAGRAM .....                        | 5         |
| I <sup>2</sup> C COMMUNICATIONS .....      | 7         |
| INTERRUPTS.....                            | 9         |
| COMMAND SEQUENCING .....                   | 10        |
| VOLTAGE CLAMPING.....                      | 10        |
| VOLTAGE TRANSLATION .....                  | 11        |
| DETERMINING PULL-UP RESISTORS VALUES ..... | 12        |
| <b>APPLICATIONS .....</b>                  | <b>16</b> |
| I <sup>2</sup> C MULTIPLEXING.....         | 16        |
| VOLTAGE LEVEL SHIFTING.....                | 16        |
| CAPACITIVE LOAD SHARING .....              | 16        |
| TYPICAL APPLICATION .....                  | 16        |
| <b>FREQUENTLY ASKED QUESTIONS.....</b>     | <b>17</b> |
| <b>ADDITIONAL INFORMATION.....</b>         | <b>21</b> |

# OVERVIEW

## Description

The Philips family of Multiplexers and Switches consists of bi-directional translating switches controlled via the I<sup>2</sup>C or SMBus to fan out an upstream SCL/SDA pair to 2, 4 or 8 downstream channels of SCx/SDx pairs. The Multiplexers allow only one downstream channel to be selected at a time, while the Switches allow any individual downstream channel or combination of downstream channels to be selected, depending on the content of the programmable control register. Once one or several channels have been selected, the device acts as a wire, allowing the master on the upstream channel to send commands to devices on all the active downstream channels, and devices on the active downstream channels to communicate with each other and the master. External pull-up resistors are used to pull each individual channel up to the desired voltage level. Combined interrupt output and hardware reset input are device options that are featured.



## Applications

These devices can be used for a wide variety of applications:

**I<sup>2</sup>C Multiplexing** - Some specialized devices only have one I<sup>2</sup>C or SMBus address and sometimes several identical devices are needed in the same system. The multiplexers and switches split the I<sup>2</sup>C bus into several sub-branches and allow the I<sup>2</sup>C master to select and address one of multiple identical devices, in order to resolve address conflict issues.

**Voltage Level Shifting** - Many I<sup>2</sup>C and SMBus devices operate at different voltage levels but need to operate on a common bus. The multiplexers and switches allow translation between 1.65 V and 5.5 V. So, for example, a 5 V I<sup>2</sup>C master on the upstream channel can communicate with a 3.3 V (non 5 V tolerant) SMBus device on channel 0 and a 2.5 V I<sup>2</sup>C device on channel 1. The channel pass gates are constructed such that the V<sub>DD</sub> pin can be used to limit the maximum high voltage that will be passed by the device. This allows the use of different bus voltages on each pair, so that 1.8 V or 2.5 V or 3.3 V devices can communicate with 5 V devices without any additional protection. All I/O pins are tolerant up to 6.0 V. The Switches are best for this application since multiple downstream channels can be active at the same time.

**Capacitive Load Sharing** - Adding more I<sup>2</sup>C and SMBus devices on the bus may exceed the 400 pF limitation. The multiplexers and switches can isolate devices that are not currently needed to reduce the overall system loading and maintain the total system load below 400 pF. When active, the channels act as a wire and the cumulative capacitive loading of the upstream channel and all active downstream channels must be considered.

## Features

**Interrupt Function** - Interrupt inputs, one for each of the downstream channels, are provided as an option on both the Multiplexers and Switches. The single interrupt output acts as an OR of the interrupt inputs and is not latched.

**Hardware Reset** - An external active low hardware reset pin (/RESET) is provided on the Switches in addition to the Power On Reset (POR) feature found on both the Multiplexers and Switches. Either /RESET or POR resets the downstream channels to the default state of no channels selected. The reset feature is useful should a downstream device lock up the bus and the master loses the ability to communicate. The master can use the reset to restore communication

within the upstream channel and then selectively restore communication with the downstream channels without having to cycle power to the equipment or to other I<sup>2</sup>C bus devices.

**Hardware Pins** - Up to three hardware pins (A0, A1, A2) are provided to change the I<sup>2</sup>C address and allow up to eight PCA954X devices to share the same I<sup>2</sup>C/SMBus.

| DEVICE NAME | MULTIPLEXER (In/Out) | SWITCH (In/Out) | FEATURES       |                    |                |           |             |           |       |
|-------------|----------------------|-----------------|----------------|--------------------|----------------|-----------|-------------|-----------|-------|
|             |                      |                 | # of ADDRESSES | INTERRUPT (In/Out) | HARDWARE RESET | PACKAGES  |             |           |       |
|             |                      |                 |                |                    |                | PIN COUNT | SO (narrow) | SO (wide) | TSSOP |
| PCA9540     | 1-2                  |                 | 1              |                    |                | 8         | D           |           | DP    |
| PCA9542     | 1-2                  |                 | 8              | 2-1                |                | 14        | D           |           | PW    |
| PCA9543     |                      | 1-2             | 4              | 2-1                | ●              | 14        | D           |           | PW    |
| PCA9544     | 1-4                  |                 | 8              | 4-1                |                | 20        |             | D         | PW    |
| PCA9545     |                      | 1-4             | 4              | 4-1                | ●              | 20        |             | D         | PW    |
| PCA9546     |                      | 1-4             | 8              |                    | ●              | 16        | D           |           | PW    |
| PCA9548     |                      | 1-8             | 8              |                    | ●              | 24        |             | D         | PW    |

Table 1. PCA954X Features

### Operating Characteristics

- 2.3 V to 5.5 V operating voltage
- 6.0 V tolerant I<sup>2</sup>C I/Os
- 0 kHz to 400 kHz operating frequency
- -40 °C to 85 °C operating temperature range
- I<sup>2</sup>C and SMBus compatible
- ESD protection exceeds:
  - 2000 V HBM per JESD22-A114
  - 150 V MM per JESD22-A115
  - 1000 V CDM per JESD22-C101
- JEDEC Standard JESD78 Latch-up testing exceeds 100 mA
- Manufactured in high volume BiCMOS process

## Device Pinout

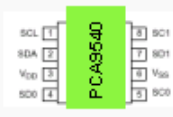
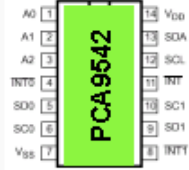

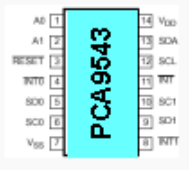
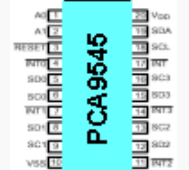
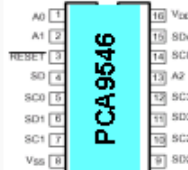
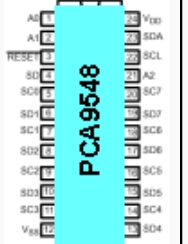
|                | 2 Channel   | 2 Channel w/Interrupt   | 4 Channel w/Interrupt  | 4 Channel   | 8 Channel   |
|----------------|---|---|--|---|---|
| Multiplexer    |  |  |  |   |   |
| Switch w/Reset |   |  |  |  |  |

Table 2. PCA954X Pin Out

## Ordering Information

| Package | Container | PCA9540       | PCA9542     | PCA9543     | PCA9544     | PCA9545     | PCA9546     | PCA9548     |
|---------|-----------|---------------|-------------|-------------|-------------|-------------|-------------|-------------|
| SO      | Tube      | PCA9540D      | PCA9542D    | PCA9543D    | PCA9544D    | PCA9545D    | PCA9546D    | PCA9548D    |
|         | T & R     | PCA9540D-T    | PCA9542D-T  | PCA9543D-T  | PCA9544D-T  | PCA9545D-T  | PCA9546D-T  | PCA9548D-T  |
| TSSOP   | Tube      | Not available | PCA9542PW   | PCA9543PW   | PCA9544PW   | PCA9545PW   | PCA9546PW   | PCA9548PW   |
|         | T & R     | PCA9540DP-T   | PCA9542PW-T | PCA9543PW-T | PCA9544PW-T | PCA9545PW-T | PCA9546PW-T | PCA9548PW-T |

Table 3. PCA954X Ordering Information

## Data Sheets and IBIS Models

Data sheets and IBIS models can be downloaded from [www.philipslogic.com/i2c](http://www.philipslogic.com/i2c)

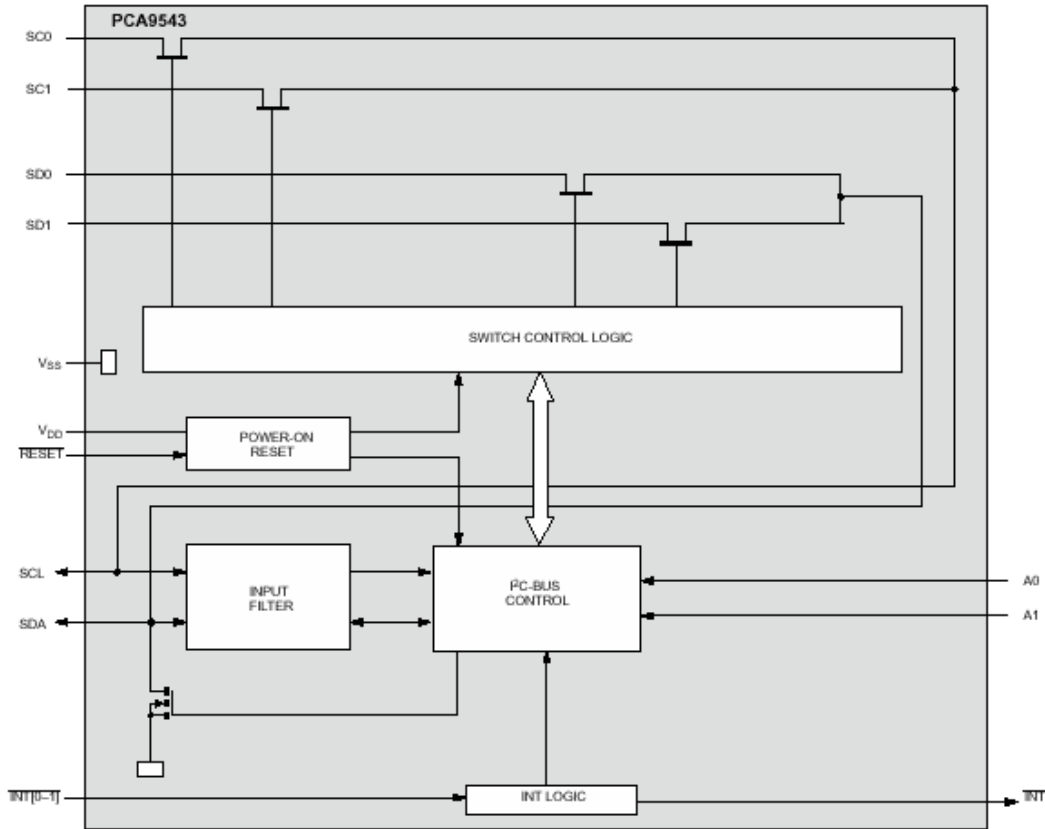
## TECHNICAL INFORMATION

### Block Diagram

The PCA954X devices are bi-directional translating Multiplexers and Switches, controlled via the I<sup>2</sup>C bus. The PCA9543 block diagram is shown in Figure 1 as an example for the entire family. The SCL/SDA upstream pair fans out to downstream pairs, or channels that are controlled by FET switches. The number of downstream pairs is device dependent. Exactly the same I<sup>2</sup>C signals on the upstream channel are passed onto all the downstream channels without amplification and the 400 pF I<sup>2</sup>C bus limitation must be observed for the upstream channel and all active downstream channels. Pull-up resistors are **REQUIRED** on all upstream and downstream channels.

I<sup>2</sup>C commands from the bus master on the upstream channel or any active downstream channel can turn on or turn off any channel. The channel status is changed when the stop command is sent. From the default condition of no channels active only a master located on the upstream channel can activate downstream channels. A master on an unconnected downstream channel (not active) cannot activate its own or any other channel since the commands can not reach the I<sup>2</sup>C Bus Control block. Once that downstream channel is activated however, any master on that channel can communicate with the I<sup>2</sup>C Bus Control block and can control other downstream channels.

The Multiplexers and Switches operate basically the same with the primary difference being within the I<sup>2</sup>C Bus Control block. The Multiplexer I<sup>2</sup>C Bus Controller activates only one channel at a time while the Switch I<sup>2</sup>C Bus Controller activates as many channels as there are available, in any combination, as determined by the contents of the programmable control register.



**Figure 1. PCA9543 Block Diagram**

Both PCA954X Multiplexers and Switches offer a built-in Power-On Reset (POR) circuit block, which ensures all downstream channels are deactivated while the device is being powered up. The outputs are held in a high impedance state that supports hot insertion.

Only the PCA954X Switches offer an external hardware pin reset capability (/RESET). Holding the /RESET pin low will deactivate all the downstream channels, as well as reset the I<sup>2</sup>C state machine. This is useful when a rogue device on one of the downstream channels is holding the bus low. It allows the master to deactivate all downstream channels and regain control of the upstream bus without having to cycle power to the equipment to perform a POR to all I<sup>2</sup>C devices. A 100 kΩ (or sized to the master's output capacity) pull up resistor is required to hold the /RESET pin high for normal device operation.

An Interrupt input pin is provided for each SC<sub>x</sub>/SD<sub>x</sub> downstream pair on select PCA954X Multiplexers and Switches. The active low open-drain interrupt output acts as an OR of the interrupt inputs and is not latched (When interrupt inputs are logic level high, the interrupt output is logic level high. When one or several interrupt occur and the interrupt inputs go to logic level low, the interrupt output goes logic level low). When the interrupt input condition disappears, the Interrupt output condition disappears as well.

Up to three external hardware address pins (A0, A1, A2) are provided that allow modification of the I<sup>2</sup>C address, which allows up to eight PCA954X devices to operate on the same I<sup>2</sup>C bus. The address pins must be held high to V<sub>DD</sub> or low to ground. It is recommended they be held high through a 10 kΩ pull-up resistor to limit current flow in case of a short but if desired they can be tied directly to V<sub>DD</sub>. Package pin limitations limit the number of address pins on some devices and that address bit is fixed internally.

All PCA954X Multiplexers and Switches can operate with a  $V_{DD}$  between 2.3 V to 5.5 V and the  $SDx/SCx$  pins are tolerant to voltages up to 6.0V. The pass gates of the PCA954X devices are constructed such that the  $V_{DD}$  pin can be used to limit the maximum high voltage, which will be passed by the devices. This allows the use of different bus voltages on each  $SCx/SDx$  pair, so that, for example, 3.3 V devices can communicate with 5 V devices without any additional protection. External pull-up resistors pull the  $SCx/SDx$  pairs up to the desired voltage level.

The PCA954X devices can drive the SDA line and will do so to acknowledge commands sent to its specific I<sup>2</sup>C address. The PCA954X devices are slaves that can NOT drive the SCL line. SCL and SDA signals driven by other devices pass transparently through the PCA954X device FET switches to any active channel.

## I<sup>2</sup>C Communications

All PCA954X devices support both standard mode (100 kHz) and fast mode (400 kHz) I<sup>2</sup>C protocols. Once the channels have been selected and the stop command sent, the PCA954X devices act as a wire and will support up to 400 kHz I<sup>2</sup>C protocol throughput. A standard I<sup>2</sup>C communication between a master controller and a PCA954X device contains the following sequence:

- A Start condition
- A 8-bit word with the following information:
  - a) PCA954X device addressing. 7 bits (as shown in Table 4) compose the address.
  - b) The 8<sup>th</sup> bit (LSB, Least Significant Bit) is the Read (LSB at “1”) or Write (LSB at “0”) instruction
- Acknowledge from the slave (PCA954X addressed device)
- If a Write instruction is requested, the next 8-bit word is the Control register. It contains channel selection information. This register is explained in the Tables 2 and 3 below.
- If a Read instruction is requested, the master controller turns to a master receiver and the slave PCA954X device turns to a slave transmitter. Interrupt status (if the device has this feature) and channel selection status (2 or 4 LSB or the entire register depending on the device) are then provided to the master controller.
- If the previous 8-bit word was a Write, the slave PCA954X will send an Acknowledge to the master controller.
- If the previous 8-bit word was a Read, the slave PCA954X will not send an Acknowledge to the master controller.
- A Stop condition. When this condition will be detected by the PCA954X, the new channel configuration will be generated (if requested in the previous I<sup>2</sup>C communication).

| Device Type | I <sup>2</sup> C Address |   |   |   |    |    |    | R/W |
|-------------|--------------------------|---|---|---|----|----|----|-----|
| Bit         | 7                        | 6 | 5 | 4 | 3  | 2  | 1  | 0   |
| PCA9540     | 1                        | 1 | 1 | 0 | 0  | 0  | 0  | 1/0 |
| PCA9542     | 1                        | 1 | 1 | 0 | A2 | A1 | A0 | 1/0 |
| PCA9543     | 1                        | 1 | 1 | 0 | 0  | A1 | A0 | 1/0 |
| PCA9544     | 1                        | 1 | 1 | 0 | A2 | A1 | A0 | 1/0 |
| PCA9545     | 1                        | 1 | 1 | 0 | 0  | A1 | A0 | 1/0 |
| PCA9546     | 1                        | 1 | 1 | 0 | A2 | A1 | A0 | 1/0 |
| PCA9548     | 1                        | 1 | 1 | 0 | A2 | A1 | A0 | 1/0 |

Table 4. PCA954X Addresses

Notes:

- A0, A1 and A2 in blue (dark gray) are the hardware programmable input pins that are connected to either  $V_{DD}$  (logic level 1) or GND (logic level 0) and modify the device’s I<sup>2</sup>C address.
- Up to four PCA954X devices can be attached to the same I<sup>2</sup>C bus when there are 2 address pins available.
- Up to eight PCA954X devices can be attached to the same I<sup>2</sup>C bus when there are 3 address pins available.
- Since all PCA954X devices have the same fixed bits 7, 6, 5 and 4, the maximum allowed on the I<sup>2</sup>C bus is 8 of any combination of PCA954X devices.

The PCA954X multiplexers contain one Control register, which can be written to or read from. When writing to this register, the lower bits or the entire register (depending on the device) determine the active channel(s). At Power-up and when a Reset operation (Switches only) is initiated (/RESET asserted low), all channels are deactivated and no channels are active.

Table 5 describes the channel selection for the 2 channel PCA9540/42/43 and the 4 channel PCA9544. “x” is don’t care (0 or 1).

| Control Register |   |   |   |   |   |   |   | Device Channel Selection |               |           |
|------------------|---|---|---|---|---|---|---|--------------------------|---------------|-----------|
| 7                | 6 | 5 | 4 | 3 | 2 | 1 | 0 | PCA9540/42               | PCA9543       | PCA9544   |
| x                | x | x | x | x | 0 | 0 | 0 | None                     | None          | None      |
| x                | x | x | x | x | 0 | 0 | 1 | None                     | Channel 0     | None      |
| x                | x | x | x | x | 0 | 1 | 0 | None                     | Channel 1     | None      |
| x                | x | x | x | x | 0 | 1 | 1 | None                     | Channel 0 & 1 | None      |
| x                | x | x | x | x | 1 | 0 | 0 | Channel 0                | None          | Channel 0 |
| x                | x | x | x | x | 1 | 0 | 1 | Channel 1                | Channel 0     | Channel 1 |
| x                | x | x | x | x | 1 | 1 | 0 | None                     | Channel 1     | Channel 2 |
| x                | x | x | x | x | 1 | 1 | 1 | None                     | Channel 0 & 1 | Channel 3 |

**Table 5. 2 and 4 Channel Device Active Channel Selection**

Table 6 describes the channel selection for the 4 channel PCA9545/46 and 8 channel PCA9548. The PCA9545/46/48 will respond to the channels in gray but only the 8 channel PCA9548 will respond to the channels in blue (dark gray). “◆” in the Active Channel columns indicates that the channel is active.

| Control Register |     |     |     |     |     |     |     | Active Channels |   |   |   |   |   |   |   |
|------------------|-----|-----|-----|-----|-----|-----|-----|-----------------|---|---|---|---|---|---|---|
| 7                | 6   | 5   | 4   | 3   | 2   | 1   | 0   | 0               | 1 | 2 | 3 | 4 | 5 | 6 | 7 |
| 0                | 0   | 0   | 0   | 0   | 0   | 0   | 0   |                 |   |   |   |   |   |   |   |
| 0                | 0   | 0   | 0   | 0   | 0   | 0   | 1   | ◆               |   |   |   |   |   |   |   |
| 0                | 0   | 0   | 0   | 0   | 0   | 1   | 0   |                 | ◆ |   |   |   |   |   |   |
| 0                | 0   | 0   | 0   | 0   | 0   | 1   | 1   | ◆               | ◆ |   |   |   |   |   |   |
| 0                | 0   | 0   | 0   | 0   | 1   | 0   | 0   |                 |   | ◆ |   |   |   |   |   |
| 0                | 0   | 0   | 0   | 0   | 1   | 0   | 1   | ◆               |   | ◆ |   |   |   |   |   |
| 0                | 0   | 0   | 0   | 0   | 1   | 1   | 0   |                 | ◆ | ◆ |   |   |   |   |   |
| 0                | 0   | 0   | 0   | 0   | 1   | 1   | 1   | ◆               | ◆ | ◆ |   |   |   |   |   |
| 0                | 0   | 0   | 0   | 1   | 0   | 0   | 0   |                 |   |   | ◆ |   |   |   |   |
| 0                | 0   | 0   | 0   | 1   | 0   | 0   | 1   | ◆               |   |   | ◆ |   |   |   |   |
| 0                | 0   | 0   | 0   | 1   | 0   | 1   | 0   |                 | ◆ |   | ◆ |   |   |   |   |
| 0                | 0   | 0   | 0   | 1   | 0   | 1   | 1   | ◆               | ◆ |   | ◆ |   |   |   |   |
| 0                | 0   | 0   | 0   | 1   | 1   | 0   | 0   |                 |   | ◆ | ◆ |   |   |   |   |
| 0                | 0   | 0   | 0   | 1   | 1   | 1   | 0   | ◆               |   | ◆ | ◆ |   |   |   |   |
| 0                | 0   | 0   | 0   | 1   | 1   | 1   | 1   | ◆               | ◆ | ◆ | ◆ |   |   |   |   |
| 0                | 0   | 0   | 1   | 0   | 0   | 0   | 0   |                 |   |   |   | ◆ |   |   |   |
| 0                | 0   | 0   | 1   | 0   | 0   | 0   | 1   | ◆               |   |   |   | ◆ |   |   |   |
| ...              | ... | ... | ... | ... | ... | ... | ... |                 |   |   |   |   |   |   |   |
| 0                | 0   | 1   | 0   | 0   | 0   | 0   | 0   |                 |   |   |   |   | ◆ |   |   |
| 0                | 0   | 1   | 0   | 0   | 0   | 0   | 1   | ◆               |   |   |   |   | ◆ |   |   |
| ...              | ... | ... | ... | ... | ... | ... | ... |                 |   |   |   |   |   |   |   |
| 0                | 1   | 0   | 0   | 0   | 0   | 0   | 0   |                 |   |   |   |   |   | ◆ |   |
| 0                | 1   | 0   | 0   | 0   | 0   | 0   | 1   | ◆               |   |   |   |   |   | ◆ |   |
| ...              | ... | ... | ... | ... | ... | ... | ... |                 |   |   |   |   |   |   |   |
| 1                | 0   | 0   | 0   | 0   | 0   | 0   | 0   |                 |   |   |   |   |   |   | ◆ |
| 1                | 0   | 0   | 0   | 0   | 0   | 0   | 1   | ◆               |   |   |   |   |   |   | ◆ |
| ...              | ... | ... | ... | ... | ... | ... | ... |                 |   |   |   |   |   |   |   |

**Table 6. 4 and 8 Channel Device Active Channel Selection**

Note:

- Several channels can be enabled at the same time. For example, in the PCA9548, “1001101” means that channels 0,2,3,4 and 7 are enabled and channels 1,5 and 6 are disabled.



The control register can also be read in order to determine which channel(s) is (are) enabled or to check that a previous switch command has been correctly interpreted by the slave. For devices offering an Interrupt capability, a reading of the control register after Interrupt detection from the master controller will also determine which downstream channel(s) generated an Interrupt signal. A more detailed description of the interrupt function follows

### Interrupts

Devices offering the Interrupt capability provide the following pins:

- An active low Interrupt input pin for each SCx/SDx downstream pair.
- An open-drain Interrupt output. This signal acts as an OR of the interrupt inputs.

When no Interrupt is present (all the Interrupt inputs are at logic level High), then the Interrupt output is also at logic Level High. When any of the Interrupt inputs is logic level Low, then the Interrupt output is also Low. The control register reflects the inverted state of the interrupt inputs (as shown in Table 7). When the interrupting input signal goes away (returns to a High state), the output will also return to a High state (not latched) and the device does not keep in memory what caused the interrupt (the control register interrupt bits return to '0', values are not latched). The PCA9542/43 only have interrupt channels 0 and 1 and don't include any of the interrupts in channel 2 and 3 (blue (dark gray) highlighted columns). The PCA9544/45 have interrupt channels 0 through 3. "◆" in the Interrupt channel columns indicates that there is an interrupt.

| Control Register |   |   |   |   |   |   |   | Interrupt Input Channel |   |   |   |
|------------------|---|---|---|---|---|---|---|-------------------------|---|---|---|
| 7                | 6 | 5 | 4 | 3 | 2 | 1 | 0 | 0                       | 1 | 2 | 3 |
| 0                | 0 | 0 | 0 | x | x | x | x |                         |   |   |   |
| 0                | 0 | 0 | 1 | x | x | x | x | ◆                       |   |   |   |
| 0                | 0 | 1 | 0 | x | x | x | x |                         | ◆ |   |   |
| 0                | 0 | 1 | 1 | x | x | x | x | ◆                       | ◆ |   |   |
| 0                | 1 | 0 | 0 | x | x | x | x |                         |   | ◆ |   |
| 0                | 1 | 0 | 1 | x | x | x | x | ◆                       |   | ◆ |   |
| 0                | 1 | 1 | 0 | x | x | x | x |                         | ◆ | ◆ |   |
| 0                | 1 | 1 | 1 | x | x | x | x | ◆                       | ◆ | ◆ |   |
| 1                | 0 | 0 | 0 | x | x | x | x |                         |   |   | ◆ |
| 1                | 0 | 0 | 1 | x | x | x | x | ◆                       |   |   | ◆ |
| 1                | 0 | 1 | 0 | x | x | x | x |                         | ◆ |   | ◆ |
| 1                | 0 | 1 | 1 | x | x | x | x | ◆                       | ◆ |   | ◆ |
| 1                | 1 | 0 | 0 | x | x | x | x |                         |   | ◆ | ◆ |
| 1                | 1 | 0 | 1 | x | x | x | x | ◆                       |   | ◆ | ◆ |
| 1                | 1 | 1 | 0 | x | x | x | x |                         | ◆ | ◆ | ◆ |
| 1                | 1 | 1 | 1 | x | x | x | x | ◆                       | ◆ | ◆ | ◆ |

Table 7. Interrupt Table

Notes:

- Interrupt inputs (values in the control register) and output are not latched
- Interrupt register cannot be changed programmatically (Read-only information).

The main function of the Interrupt feature is to let the upstream master know that it needs to service one of the downstream buses. By reading the control register, it is easy for the master to determine which of the downstream buses requires servicing.

#### Interrupt input signals:

Interrupt inputs don't have any internal pull-up resistors and **MUST NOT** be left floating in order to avoid any undesired interrupt conditions. If one or several inputs are not used, they must be connected to  $V_{DD}$  through a pull-up resistor (4.7 k $\Omega$  for example).

- If the device generating the interrupt has an open-drain structure or can be tri-stated, a pull-up resistor to  $V_{DD}$  must be used.

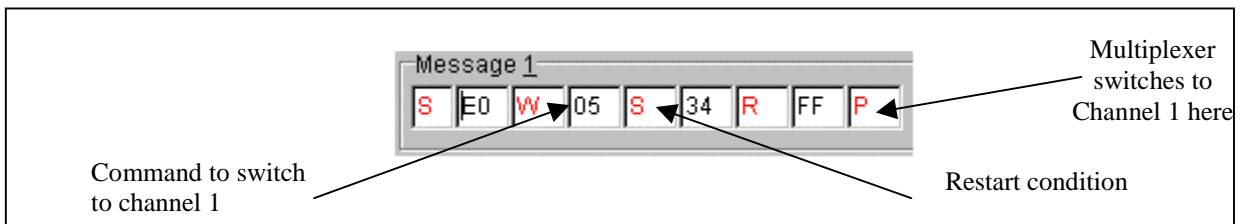
- If the device generating the interrupt has a totem pole output structure and can not be tri-stated; pull-up resistors to  $V_{DD}$  are not required.

Interrupt inputs have been implemented to offer an Interrupt capability (e.g., a downstream device sends request to the master to request a maintenance or a supervision operation). The interrupt inputs can also be used as regular GPI (General Purpose Inputs) since the information can then be read through the Interrupt register.

## Command Sequencing

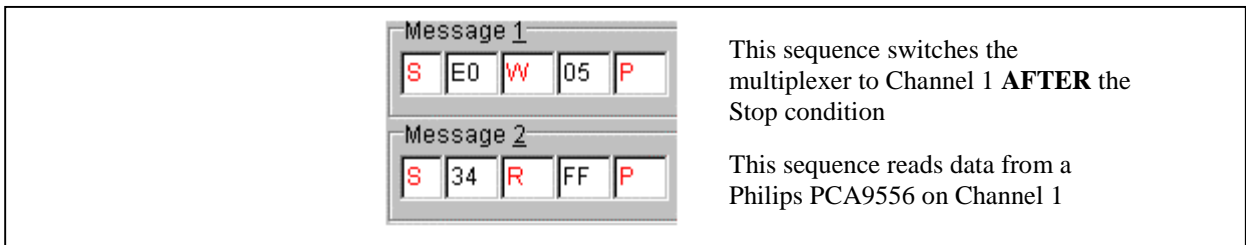
Although the PCA954X multiplexers and switches are very simple to use, **it must be understood that a STOP condition must be generated before the channel is switched.**

For example, the sequence shown in Figure 2 sends a command to the multiplexer to switch to channel 1, followed by a command to read the Philips PCA9556 (the S is a START or RESTART condition while the P is a STOP condition). Although this is a valid I<sup>2</sup>C sequence, it could give unexpected results if you are not aware that you are reading the Philips PCA9556 from the original channel, not channel 1 because the multiplexer will switch to channel 1 **ONLY** after the STOP condition has been sent.



**Figure 2. Incorrect Channel Selection**

In order to get read valid data from the Philips PCA9556 located on channel 1, the following message should be sent:



**Figure 3. Correct Channel Selection**

To ensure that a communication with the correct downstream channel is initiated, the address information must be sent first, followed by the desired channel (in this case channel 1), and then followed by a Stop command, as shown in Figure 3. Now all I<sup>2</sup>C messages are being transmitted through the correct channel.

Note that once the master controller has configured the PCA954X, the device behaves like a wire (transparent switch behavior) and will keep the programmed configuration until the master controller addresses it again in order to change the configuration. Each I<sup>2</sup>C message addressed to another device connected to a downstream channel will pass through the PCA954X device and there is no need to access and configure the PCA954X device again.

## Voltage Clamping

The PCA954X Multiplexers and Switches contain pass transistor, which are very fast and have very low on-resistance. When the pass transistor is enabled and the input voltage is low, the output is also low and the pass transistor has a typical on-resistance around 25  $\Omega$ . As the input voltage rises, the output voltage should track the input voltage closely until it reaches a value approximately 1V below  $V_{DD}$ . At this voltage, the output is clamped ( $V_{clamp}$ ). This phenomenon

can be seen in Figure 4 below. The clamping voltage will be somewhat lowered by a load on the output (shown with open output).

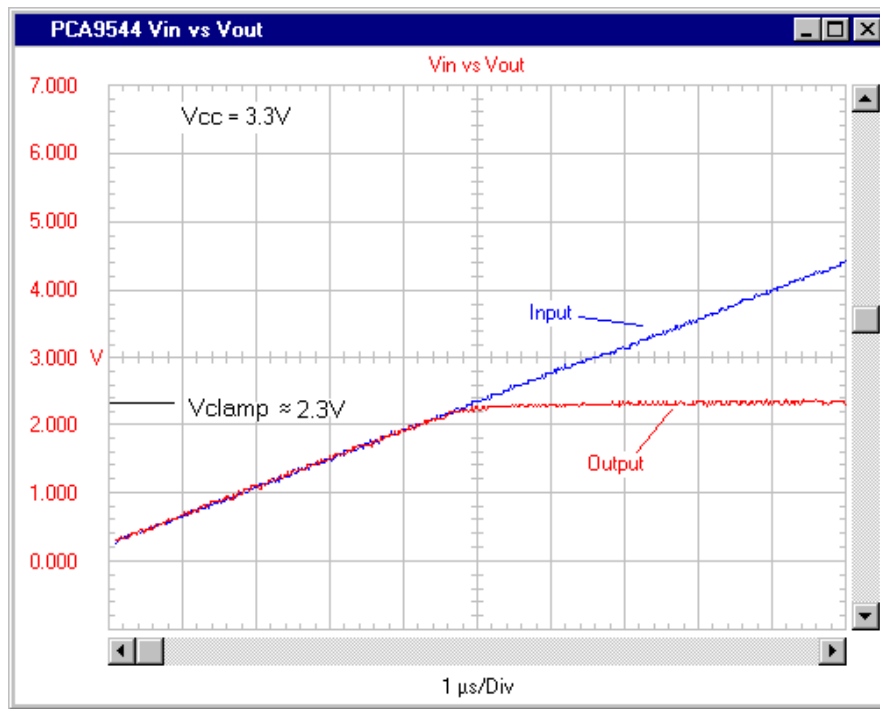


Figure 4. Vout Vs Vin

### Voltage Translation

The voltage clamping can be advantageous when there is a need to communicate between two I<sup>2</sup>C voltage levels. The PCA954x will clamp the voltage to a value below its  $V_{DD}$ . Then pull-up resistors can be used to pull-up the output voltage of each individual branch to a suitable range. This can be seen in Figure 5.

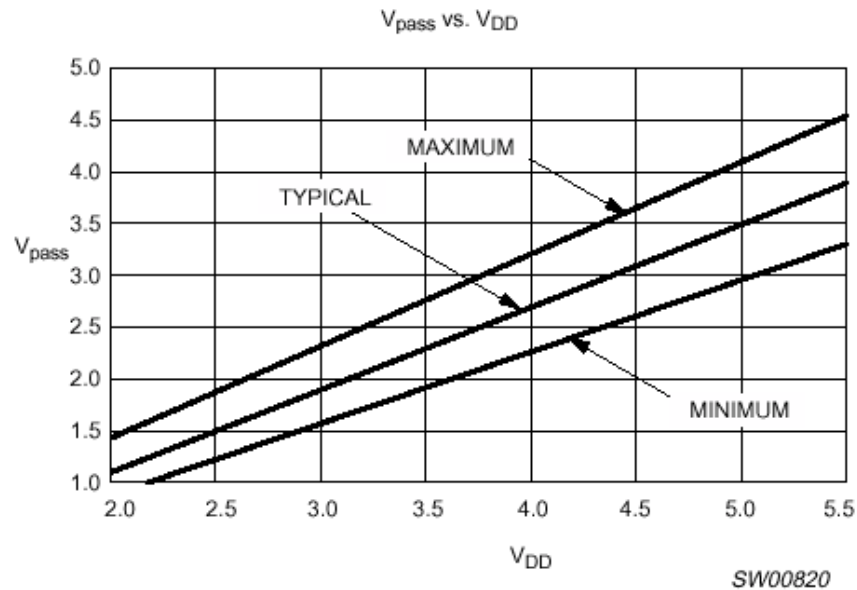


Figure 5. Voltage Translation

The graph shows that the I<sup>2</sup>C voltage can be translated between the various channels of the PCA954X device. For example, if the upstream channel uses 5 V while the downstream channel uses 3.3 V. If the PCA954X is supplied with 3.3 V, it will clamp the voltage to about 2.3 V so the 5 V will not appear on the 3.3 V side. A pull-up resistor on the 3.3 V side then pulls it all the way up to the 3.3 V rail. In most situations, a design engineer should use the maximum voltage curve since this is the situation you would find over the entire temperature range. The important thing to note is that the multiplexers/switches should be supplied with the lowest I<sup>2</sup>C voltage needed to ensure proper voltage translation.

### Determining Pull-Up Resistors values

The PCA954x devices provide excellent isolation between the channels but do not provide any additional drive capability between the upstream and downstream buses. Therefore, both the upstream and downstream loads (i.e., bus capacitance and device input loads) must be taken into consideration when choosing the value of a pull-up resistor.

Note that the PCA954X supply should normally be connected to the lowest bus voltage to ensure proper voltage clamping.

- Example 1: Typical application using a multiplexer. Pull-up resistors calculations  
Here is an application example to illustrate this point:

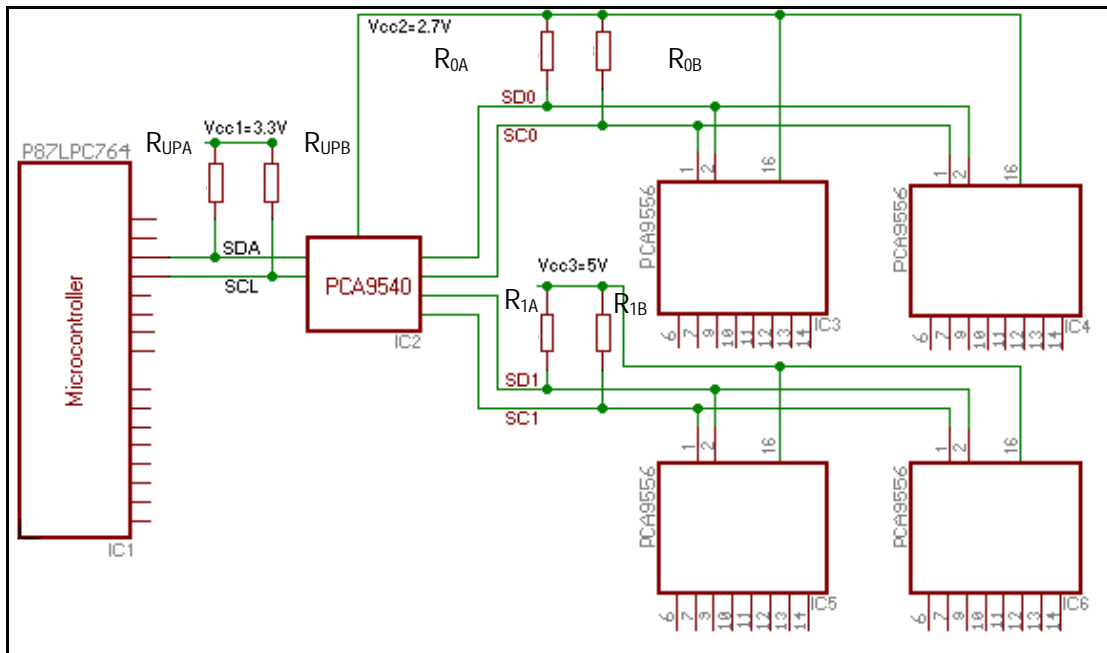


Figure 6. Typical Circuit Example

Assumptions are explained in Table 8.

|                  | Supply Voltage | Load capacitance                       |
|------------------|----------------|--|
| Upstream channel | 3.3 V          | $C_{\text{upstream}} = 100 \text{ pF}$ |
| Channel 0        | 2.5 V          | $C_{\text{channel0}} = 300 \text{ pF}$ |
| Channel 1        | 5.0 V          | $C_{\text{channel1}} = 200 \text{ pF}$ |

Table 8. Electrical parameters

Note: Load capacitance includes device input capacitance and board capacitance.

The main considerations in choosing the pull-up resistor are:

1. Ensuring that the current does not exceed the maximum  $I_{O1} = 3 \text{ mA}$  at 0.4 V. This determines the minimum resistor value.

2. Ensuring that the rise time does not exceed 1.0  $\mu\text{s}$  for a standard mode (100 kHz) bus or 300 ns for the high-speed mode (400 kHz) (affected by the bus capacitance and pull-up resistor). This determines the maximum resistor value.

When the input voltage to the multiplexer is low, the resistance of the switch is assumed to be negligible in comparison to the pull-up resistors.

For this example of devices operating in the standard mode (100 kHz), the current consumption is not very important, so the maximum 3 mA current is allowed to flow when SDA and SCL are low.

$I_{\text{UPA}}$  is the current through  $R_{\text{UPA}}$ .

$I_{0A}$  is the current through  $R_{0A}$ .

$I_{1A}$  is the current through  $R_{1A}$ , etc.

If the voltage across the open-drain FETs is assumed to be zero, then the following equation is used to calculate the pull-up resistors:

Since the capacitance of the upstream branch is  $\frac{1}{4}$  of the total capacitance of the SCL + SC0 branch, set  $I_{\text{UP}} = 3 \text{ mA} / 4 = 0.75 \text{ mA}$ . Therefore, the pull-up resistor in the upstream channel can have a current of  $I_{\text{UP}} = 0.75 \text{ mA}$  and pull-up in the downstream channels can be set to  $I_0 = I_1 = 2.25 \text{ mA}$ .

$$R_{\text{UPA}} = R_{\text{UPB}} = 3.3 \text{ V} / 0.75 \text{ mA} = 4.4 \text{ k}\Omega$$

$$R_{0A} = R_{0B} = 2.5 \text{ V} / 2.25 \text{ mA} = 1.11 \text{ k}\Omega$$

$$R_{1A} = R_{1B} = 5.0 \text{ V} / 2.25 \text{ mA} = 2.2 \text{ k}\Omega$$

Additional verification:

Ensure the rise time specification of 1  $\mu\text{s}$  for standard mode I<sup>2</sup>C is not exceeded. Consider the  $V_{\text{DD}}$ -related input threshold of  $V_{\text{IH}} = 0.7 \times V_{\text{DD}}$  and  $V_{\text{IL}} = 0.3 \times V_{\text{DD}}$  for the purposes of RC time constant calculation.

$V(t) = V_{\text{DD}} (1 - 1/e^{-t/RC})$  where t is the time since the charging started and RC is the time constant.

$V(t1) = 0.3 \times V_{\text{DD}} = V_{\text{DD}} (1 - 1/e^{-t1/RC})$ ; then  $t1 = 0.3566749 \times RC$

$V(t2) = 0.7 \times V_{\text{DD}} = V_{\text{DD}} (1 - 1/e^{-t2/RC})$ ; then  $t2 = 1.2039729 \times RC$

$T_{\text{rise}} = t2 - t1 = 0.8472979 \times RC$

Scenario 1: No downstream channel enabled

$$\begin{aligned} T_{\text{rise}} &= 0.8472979 \times R_{\text{UPA}} C_{\text{upstream}} \\ &= 0.8472979 \times 4400 \times 100 \text{e-12} \\ &= 0.37 \mu\text{s} \end{aligned}$$

Scenario 2: Channel 0 enabled

$$\begin{aligned} T_{\text{rise}} &= 0.8472979 \times (R_{\text{UPA}} // R_{0A}) (C_{\text{upstream}} // C_{\text{channel0}}) \\ &= 0.8472979 \times \frac{4400 \times 1110}{4400 + 1110} \times (100 \text{e-12} + 300 \text{e-12}) \\ &= 0.30 \mu\text{s} \end{aligned}$$

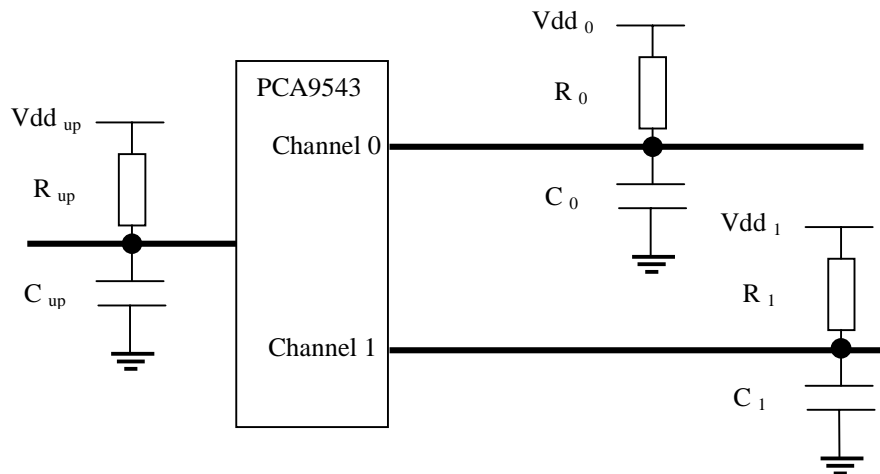
Scenario 3: Channel 1 enabled

$$\begin{aligned} T_{\text{rise}} &= 0.8472979 \times (R_{\text{UPA}} // R_{1A}) (C_{\text{upstream}} // C_{\text{channel1}}) \\ &= 0.8472979 \times \frac{4400 \times 2200}{4400 + 2200} \times (100 \text{e-12} + 200 \text{e-12}) \\ &= 0.37 \mu\text{s} \end{aligned}$$

All rise times are well below the maximum rise time of 1  $\mu\text{s}$ .

- Example 2: Equivalent resistance and capacitance values for multiple channel devices

The example in Figure 7 is made with the PCA9543, 2-channel switch. It can easily be extended to the 4 and 8-channel devices.



**Figure 7. Multiple Channel Example**

- $R_{up}$ ,  $R_0$  and  $R_1$ : pull-up resistors on respectively the upstream channel, downstream channel 0 and downstream channel 1.
- $C_{up}$ ,  $C_0$  and  $C_1$ : equivalent capacitance on respectively the upstream channel, downstream channel 0 and downstream channel 1.
- The upstream channel is the main I<sup>2</sup>C bus and can be connected to no downstream channels, to channel 0, channel 1 or both channel 1 and 2 at the same time.

1. No channel selected:

- Equivalent resistance of the I<sup>2</sup>C bus =  $R_{up}$
- Equivalent capacitance of the I<sup>2</sup>C bus =  $C_{up}$

2. Upstream channel connected to downstream channel 0:

- Equivalent resistance of the I<sup>2</sup>C bus =  $R_{up} // R_0 = (R_{up} \times R_0) / (R_{up} + R_0)$
- Equivalent capacitance of the I<sup>2</sup>C bus =  $C_{up} // C_0 = C_{up} + C_0$

- Upstream channel connected to downstream channel 1:

- Equivalent resistance of the I<sup>2</sup>C bus =  $R_{up} // R_1 = (R_{up} \times R_1) / (R_{up} + R_1)$
- Equivalent capacitance of the I<sup>2</sup>C bus =  $C_{up} // C_1 = C_{up} + C_1$

- Upstream channel connected to downstream channel 0 and downstream channel 1:

- Equivalent resistance of the I<sup>2</sup>C bus =  $R_{up} // R_1 // R_2 = 1 / (1/R_{up} + 1/R_1 + 1/R_2)$
- Equivalent capacitance of the I<sup>2</sup>C bus =  $C_{up} // C_0 // C_1 = C_{up} + C_0 + C_1$

- For applications using more than 2 channels:

- Equivalent resistance of the I<sup>2</sup>C bus = Upstream pull-up resistors and all the connected downstream channel pull-up resistors in parallel
- Equivalent capacitance of the I<sup>2</sup>C bus = Upstream equivalent capacitance and all the connected downstream channel equivalent capacitance in parallel

- Quick overview: Maximum and minimum pull-up resistors values

The supply voltage limits the **minimum** value of the pull-up resistor due to a minimum sink current value of 3 mA at  $V_{OL,max} = 0.4$  V (see Figure 8).

The bus capacitance is the total capacitance of wire, connections and pins. This capacitance limits the **maximum** value of the pull-up resistors due to the specified rise time (see Figure 9 and Figure 10).

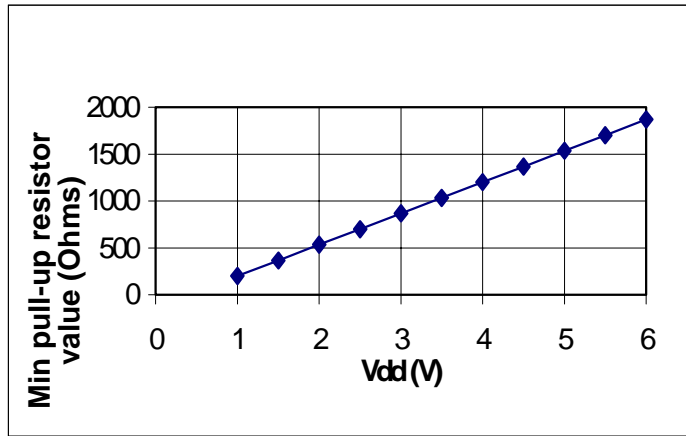


Figure 8. Min pull-up resistor value

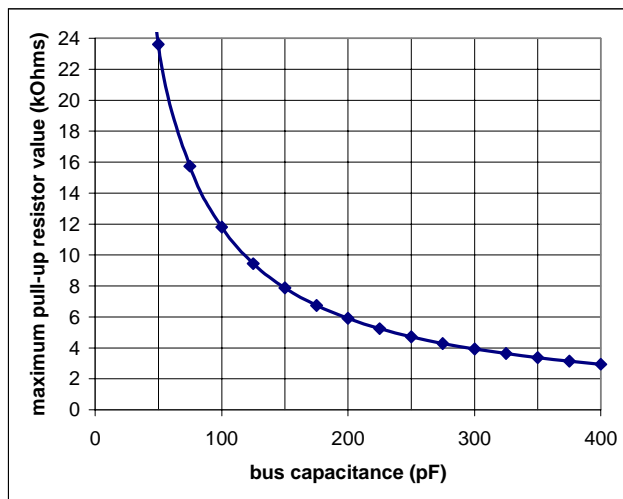


Figure 9. Max pull-up resistor value (standard mode)

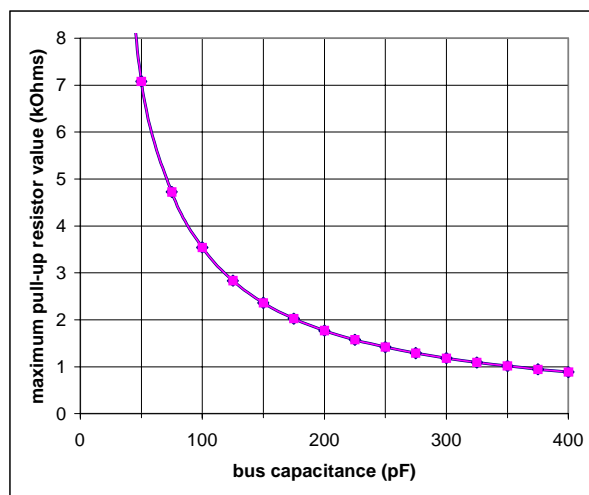


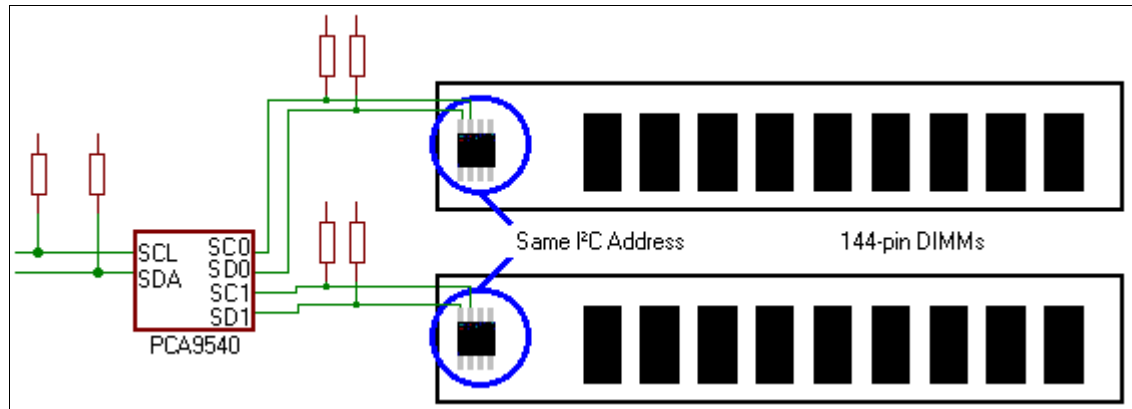
Figure 10. Max pull-up resistor value (Fast-mode)

## APPLICATIONS

### *I<sup>2</sup>C Multiplexing*

Some specialized devices only have one I<sup>2</sup>C address and sometimes several identical devices are needed in the same system. The multiplexers and switches split the I<sup>2</sup>C bus into several sub-branches and allow the I<sup>2</sup>C master to select and address one of these identical devices at a time, to avoid address conflict issues.

In many PCs, the Serial Presence Detect (SPD) EEPROM on DIMMs respond to the same I<sup>2</sup>C address (0xA0). Therefore, if more than one DIMM is installed in the card, a method must be determined to read the data from each EEPROM. This can effectively be done using the PCA9540 as shown in Figure 11.



**Figure 11. Example of DIMM Serial Presence Detect Application**

Generally speaking, any application requiring multiple identical devices with the same I<sup>2</sup>C address on a single bus can use one or several PCA954X devices to multiplex the I<sup>2</sup>C bus and solve any addressing conflict.

### *Voltage Level Shifting*

I<sup>2</sup>C and SMBus devices can operate at different voltage levels but may need to operate on a common bus. The PCA954X multiplexers and switches allow voltage translation between 1.65 V and 5.5 V and provide a solution to this problem. For example, a 5 V I<sup>2</sup>C master on the upstream channel can communicate with a 3.3 V (non 5 V tolerant) SMBus device on channel 0 and a 2.5 V (non 3.3 V tolerant) I<sup>2</sup>C device on channel 1. The device channel pass gates are constructed such that the V<sub>DD</sub> pin is used to limit the maximum high voltage that will be passed by the device. This allows the use of different bus voltages on each pair, so that 1.8 V or 2.5 V or 3.3 V devices can communicate with 5 V devices without any additional protection. All I/O pins are tolerant to 6.0 V. All PCA954X exhibit this behavior but the PCA954X Switches are best for voltage level shifting application since multiple downstream channels can be active at the same time.

### *Capacitive Load Sharing*

Adding more I<sup>2</sup>C and SMBus devices on the bus may exceed the 400 pF limitation. A multiplexer or switch can isolate devices that are not currently needed to reduce the overall system loading and maintain a total load below 400 pF. When active, the channels act as a wire and the cumulative capacitive loading of both the upstream channel and all active downstream channels must be considered and maintained below 400 pF. If total active channel system loading must be above 400 pF, then the Philips PCA9511/15/16/18 I<sup>2</sup>C bus repeaters and hubs should be considered.

### *Typical Application*

Figure 12 shows the PCA9545 in a typical application that could be used for voltage level translation of multiplexing to one downstream channel at a time.



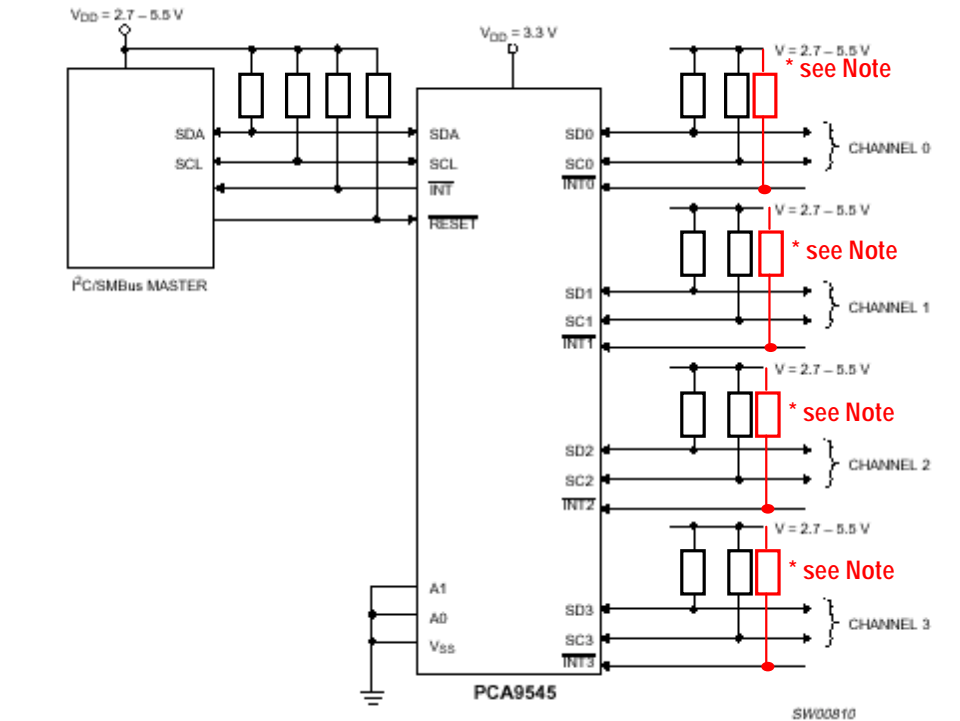


Figure 12. PCA9545 In a Typical Application

Note:

- Interrupt input pull-up resistors sizing is discussed on page 9.

## FREQUENTLY ASKED QUESTIONS

- Question:** What is the impedance of inputs/outputs when the part is powered down?

**Answer:** The I<sup>2</sup>C channel inputs/outputs will have a High impedance value if the voltage applied to that I/O pin is below 5.5 V and above -0.5 V.
- Question:** What are all the uses for the interrupt line on the Philips PCA954X? I thought one use was for a time-out interrupt as it is used on the 8051 based I<sup>2</sup>C controller. I now see that the PCA954X does not even have an internal timer for that. Another use I thought of is for transition detection for the Sxx line.

**Answer:** The way the Interrupt inputs are implemented in these devices is more of an OR function, if one of the interrupts inputs goes low then the interrupt output also goes low. The interrupt is not latched. When the low interrupt input signal goes away, the interrupt output returns high. The main function of the interrupt is to let the upstream master know that it needs to service one of the downstream buses. By reading the control register, it is easy for the master to determine which of the downstream buses requires servicing.
- Question:** Exactly, what events or conditions generate an interrupt? And when exactly does an interrupt occur?

**Answer:** The user defines the interrupt conditions. The device itself does not generate interrupts; it just collects them from any device and signals a master that an interrupt has occurred. The interrupt can happen at any time. The interrupt output signal is completely asynchronous.
- Question:** Is it allowed to connect a different voltage bus to the I/O of the PCA9544? The supply voltage of the PCA9544 is 3.3 V in our application. The sequence of the 3.3 V and 2.5 V I/O are not completely simultaneous but almost simultaneous.

**Answer:** Yes, a different voltage bus can be connected to the I/O of the PCA9544. This is shown in Figure 5. The PCA9544 powers up with the channels open (high impedance) so if the 2.5 V powers up after the 3.3V, there is no

problem. Also, if the 3.3V powers up after the 2.5V, there will be no problem because the pins of the PCA9544 will be high impedance when the part is unpowered.

5. **Question:** How do we calculate pull-up resistor values? Do we need to calculate the upstream pull-up values in one side and the downstream pull-up values in the other or are they correlated?  
**Answer:** The PCA9544 creates a physical connection between the SDA and the selected SDn pin, and between the SCL and the SCn pin. This means that the resistors on both sides of a selected channel are in parallel and their summed current is limited by the I<sup>2</sup>C family specification to 3 mA. For example, at 3.3 V, the combined parallel resistance of the selected channel is,  $3.3 \text{ V} / 3 \text{ mA} = 1.1 \text{ k}\Omega$  minimum. Therefore, the two pull-up resistors should be at least 2.2 k $\Omega$  each. Considering power supply variation and resistor tolerance, a safer choice may be 2.8 k $\Omega$  each.
6. **Question:** Can the PCA954X work in a multi-master environment, more specifically when masters are located upstream and downstream on the bus?  
**Answer:** The PCA954X can work in a multi-master environment. Arbitration between the two masters is possible through the PCA954X, assuming the channel is enabled. The PCA954x products however do not have the capability to detect activity on a downstream bus before the upstream master enables it. Therefore, care must be taken when switching buses if there is a master device on the downstream bus. The master on the downstream bus must be idle when the upstream master enables that channel in order to avoid data corruption. When the downstream channel is not enabled, the master on that channel is unable to communicate with any of the other channels.
7. **Question:** I programmed the Philips PCA954X to select Channel 1 in order to address a slave device on this downstream channel. I need to access this downstream device several times. Do I have to access the PCA954X first each time I have to access the downstream device?  
**Answer:** No, only one access sequence to the PCA954X is necessary to establish the physical connection between the upstream channel and the selected downstream channel. Once this access sequence is done and **after a Stop condition**, the PCA954X will go to the selected channel(s) and then behave like a wire. It will keep the selected channel active until the next time the master controller addresses the PCA954X device (by its unique I<sup>2</sup>C address) in order to change to another channel(s). Note that if a power-down occurs, the PCA954x's power-on reset circuit will initialize the device back to a state where no downstream channels are selected.
8. **Question:** How can I realize a twelve channel multiplexer with the Philips PCA954X devices?  
**Answer:** Simply connect three 4-channel multiplexers/switches and program them to use 3 different addresses so that the bus master can individually address each device and individually control each channel on each device. The upstream I<sup>2</sup>C channels of each device is connected to the upstream bus master channel. The PCA9548 8-channel switch and any of the 4 channel multiplexers/switches could also be used in any combination
9. **Question:** Does the PCA9544 support 2.5 V I<sup>2</sup>C signal at V<sub>DD</sub> = 3.3V?  
**Answer:** Figure 5 shows that at 3.3 V V<sub>DD</sub>, the maximum voltage is 2.6 V and minimum is 1.8 V. At 3.0 V the maximum is 2.25 V and minimum is 1.7 V. At 3.6 V the maximum is 2.8 V and minimum is 2.0 V. So yes, the PCA9544 will support downstream channels at 2.5 V, 3.3 V and 5.0 V if powered at 3.3 V V<sub>DD</sub> but for best results, the PCA9544 should be powered at 2.5 V.
10. **Question:** What happens to a PCA954X devices if the I<sup>2</sup>C bus is powered up (bus at V<sub>DD</sub>) when the PCA device is still off (not yet powered up or slowly ramping up)? Is there a risk of latch-up, partial or permanent damage of the part?  
**Answer:** There will be no latch-up or damage, permanent or otherwise, to the PCA954X device under these conditions. In addition, the device will not cause any disruption to the I<sup>2</sup>C bus.
11. **Question:** Can we use both 3.3 V and 5 V I<sup>2</sup>C busses on different sides of the multiplexers?  
**Answer:** Yes, if the multiplexer is powered at 5 V you can use 3.3 V and 5 V or if powered at 3.3 V you can use 2.5 V, 3.3 V or 5 V pull-up resistors on any of the channels but for bst results, the PCA954X should be powered at the lowest voltage needed.
12. **Question:** Are there any voltage shifts on the I<sup>2</sup>C busses when using the PCA954X?  
**Answer:** Yes, the voltage drop across the switch due to any current through it must be taken into consideration. The PCA954X uses pass transistors that have a specified R<sub>on</sub> value. If PCA954Xs are used in series, all the series

resistance of each device will add to each other. The resistance per device can be as high as 55 ohms over temperature. This shouldn't be an issue in most applications but the customer should be aware of this potential problem if they put a large number of PCA954Xs in series. This parameter can be critical in low voltage I<sup>2</sup>C systems.

13. **Question:** Can we use multiple PCA954X I<sup>2</sup>C multiplexers/switches in series? If so, how many? What are the limitations?  
**Answer:** The PCA954X devices can be used in series or parallel. The limitation would be I<sup>2</sup>C addresses (up to 8 PCA954X devices on the active bus) and capacitive load (400 pF) since the PCA954X devices don't have the ability to isolated the capacitive load. If used in series, the cumlative device resistance should also be considered.
14. **Question:** How do we gracefully recover from a stuck bus scenario?  
**Answer:** The only way to fix a stuck situation is to send extra clock pulses if the data line is stuck low. Sending 8 extra clock pulses will re-initialize the slave state machine. If the clock line is stuck, then there is not much that can be done without using a hardware solution. One hardware solution would be to use a pair of 74LVC1G66 analog switch picogates to isolate the I<sup>2</sup>C lines. If the system includes the PCA954X switch, it is possible to do a hardware reset and isolate all of the bus connections on the downstream side of the device to restore the upstream bus. The PCA9516 Hub can also be used to isolate downstream channels since each channel has a separate hardware enable .
15. **Question:** Is there some "intelligence" in the PCA954X, I mean are they able to "finish" some I<sup>2</sup>C sequences if a reset occurs in the multiplexer/switch while a communication is on-going or initiate some downstream re-initialization in order not to stay stuck in the middle of a communication? If the multiplexer/switch is reset during a communication, the downstream device(s) will not see the end of the sequence (Stop condition) and when a new channel will be open, some failures or miscommunication could occur in the I<sup>2</sup>C bus.  
**Answer:** The multiplexer/switches are "simple devices" meaning that they are used only to send information bi-directionally between an upstream bus and one/several downstream buses. The devices can't send any kind of I<sup>2</sup>C sequence or initialize/reset some devices on their own. When the device is reset, it goes directly to the reset mode, initializes its state machine and disables all the downstream channels.
16. **Question:** Is there any interrupt generated to the master upon a stuck bus condition?  
**Answer:** No.
17. **Question:** Is there any effect on the slave (downstream device) when the PCA954X Switch reset pin is asserted?  
**Answer:** There is no effect on the downstream device. The Reset only disables all the downstream channels.
18. **Question:** If the interrupt pins are not used, can they be left floating?  
**Answer:** The Interrupt inputs don't have any pull-up resistors and must be tied to V<sub>DD</sub> if they are not used .
19. **Question:** How is it that your part controls the SCL line for data rate transfer if you do not have any control of the SCL line?  
**Answer:** The PCA9542 is an I<sup>2</sup>C controlled NMOS pass transistor multiplexer and the I<sup>2</sup>C interface is a simple slave with no SCL driver, so it can not hold the SCL line low. However when a channel is selected using the I<sup>2</sup>C interface, at the next stop condition the NMOS pass transistor is turned on making a slightly resistive connection between the SDA and SD0 or SD1, and a parallel path between the SCL and SC0 or SC1, similar to connecting the upstream and downstream buses together with a wire. This low resistance connection means that a low on one side is passed to the other side in real time with no logic interference from the PCA9542. If the SCL is stuck low it can not be the PCA9542, however a slave on one side with its SCL stuck low will pass through the PCA9542 as a low if the channel is selected. A master with its SCL stuck low will also pass through the PCA9542 as a low to whichever channel is selected. The PCA9542 is incapable of generating a low on the SCL it only passes the low along. Since the PCA9542 has some resistance checking the low on both sides of the PCA9542 when the system is hung will tell you which side has the offending part because the side with the lowest SCL voltage is the side that is being driven and the higher voltage corresponds to the signal passing through the NMOS pass transistor ( switch ).
20. **Question:** The SCL line is being held low, which is hanging the I<sup>2</sup>C bus. Is it possible that the PCA9542 could hold this line low? All of the devices on the 9542's output are slave devices and all of the devices on the 9542's input are

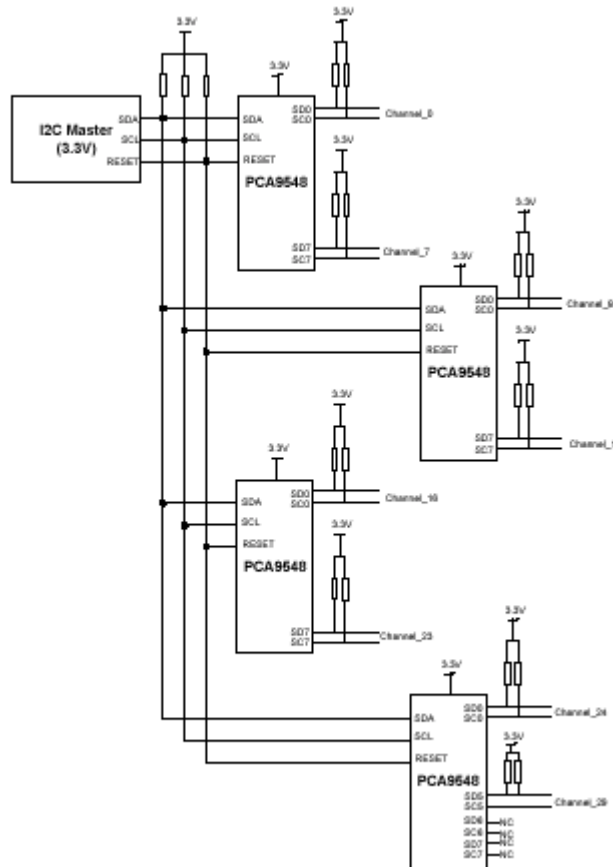
masters. Is it possible that the 9542 is holding the SCL line low because a slave device is not generating the SCL signal?

**Answer:** The PCA9542 does not have an output driver on the SCL pin, so it could not possibly cause the bus to hang in this manner. Also, our part will not acknowledge another part's address and we can think of no reason why it would not acknowledge a read request from the master.

21. **Question:** If I wanted to test the Slave components on the SC0 and SC1 side of the MUX for this issue as being the culprit, how would you modify the PCA9542 to isolate SC0/SC1 line to isolate the slave components. Would you lift the SC0 pin and let it float or pull it high?

**Answer:** The simplest answer is to not select either SC0 or SC1, this should leave the slaves isolated. Lifting the SC0 / SC1 and letting it float would also isolate the slaves. Any pull-up on the PCA9542 would need to be considered part of the SCL (or SDA ) total pull-up current when selected, so any pull-up would need to be resistive. All three methods should make the SCL isolated. The SC0 and SC1 should be pulled up by their own resistors.

22. **Question:** What size pull up resistors should I use in this application and what should I do with the unused channels? Is there a difference if I operate at 100 kHz or 400 kHz? The capacitance of the upstream bus between the master and PCA9548s is 22 pF per device or about 100 pF total. Each downstream bus has an identical device with a fixed I<sup>2</sup>C address so only one channel will be activated at a time. The slave device and downstream bus trace have a capacitance of 10 pF.



**Figure 13. Typical Application using the PCA9548**

**Answer:** Pull-up resistor calculations

- 100 kHz mode:
  - Static load:
    - Maximum load current specified = 3 mA
    - $V_{ol\ max} = 0.4\ V$  at 3 mA
    - A 3.3V bus is used:  $R_{min} = (3.6 - 0.4) / 3\ mA = 1.1\ k\Omega$ .
    - Minimum value for the bus is then 1.1 kΩ.

This value is the total resistance of the I<sup>2</sup>C bus.

Since the bus is divided in 2 parts with the PCA9548, upstream and a downstream pull-up resistors need to be taken into account.

$$R_{\text{up mini}} = 2.2 \text{ k}\Omega$$

$$R_{\text{down mini}} = 2.2 \text{ k}\Omega.$$

$R_{\text{total}}$  is then 1.1 k $\Omega$ .

- Dynamic load:

The maximum value of the rise time is 1 $\mu$ s

$$C_{\text{up}} = 4 \times 22 \text{ pF}$$

$$C_{\text{down}} = 10 \text{ pF}$$

$C_{\text{total}}$  is about 100 pF

$$T_{\text{rise}} = 0.847 \times R_{\text{total}} \times C_{\text{total}} = 0.1 \mu\text{s}$$

- 400 kHz mode:

If the same resistor values need to be used at 400 kHz, it's important to determine that they will not violate the max rise time value is 0.3  $\mu$ s. According the calculations above, the resistor values look fine for a 400 kHz bus.

- Margin:

Since the bus is not fully loaded, it's possible to take some margin: 2.7 k $\Omega$  upstream and 2.7 k $\Omega$  downstream are also fine for both 100 kHz and 400 kHz.

- Unused Channel:

The unused channels should have the same size pull up resistors as used for the other channels.

## ADDITIONAL INFORMATION

The latest datasheets for the PCA954X family of products and other SMBus/I<sup>2</sup>C products can be found at the Philips Semiconductors website:

<http://www.philipslogic.com/i2c>

Software tools for most of Philips' products can be found at:

<http://www.demoboard.com>

Additional technical support for PCA954X devices can be provided by e-mailing the question to:

Email: [pc.mb.svl@philips.com](mailto:pc.mb.svl@philips.com)