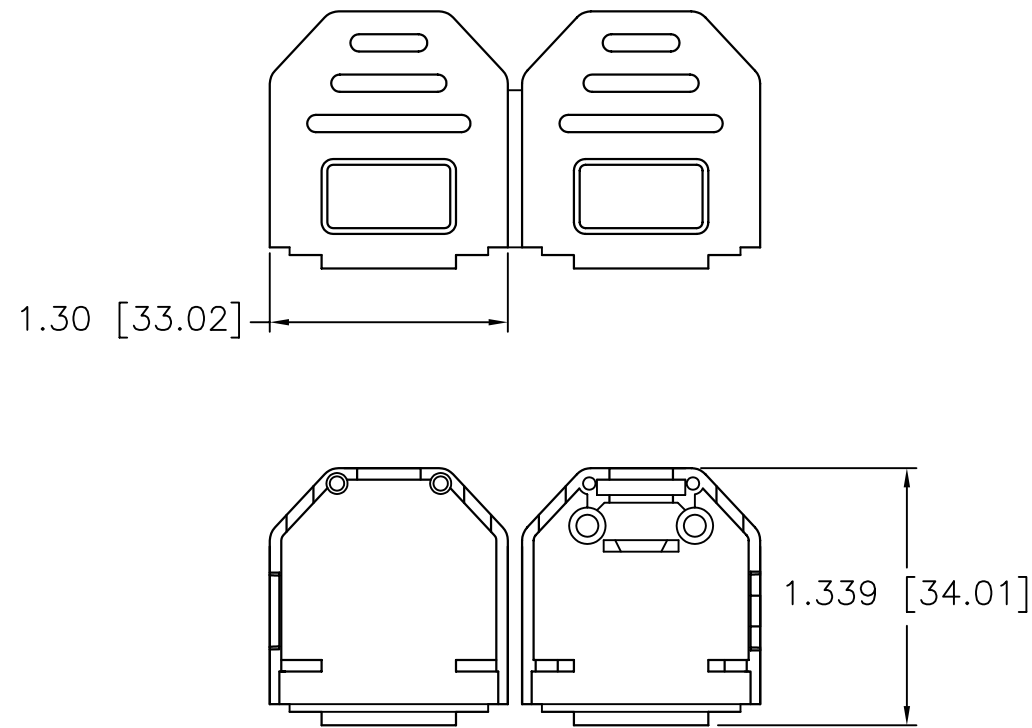


REVISIONS				
ZONE	REV	DESCRIPTION	DATE	APPROVED
	A	ECN 0372	28-MAR-03	
	B	ECN 0450	26-SEP-04	



SELF TAPPING SCREW
CR STEEL - ZINC PLATED
QTY: 2 EACH



NO LOGO



PART NUMBER INFORMATION

PART#	LOGO STYLE	SUPPLIED
MHDPPK9BLACK	NO LOGO	BULK
MHDPPK9BLACKK	NO LOGO	PACKAGED



#4-40 UNC X 1.85 THUMBSCREW
LOW CARBON STEEL - BLACK ZINC PLATED
QTY: 2 EACH

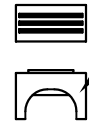
CONNECTOR COVER:

- 1.MATERIAL: NYLON UL94V-2
- 2.COLOR: BLACK
- 3.DIMENSIONS: INCHES [MM]
- 4.TOLERANCE: ±0.015 [0.381]

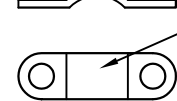
INSERT

- 1.MATERIAL: POLYPROPYLENE
- 2.COLOR: BLACK
- 3.DIMENSIONS: INCHES [MM]
- 4.TOLERANCE: ±0.015 [0.381]

9C INSERT
POLYPROPYLENE - BLACK
QTY: 1 EACH



9C CLAMP
CR STEEL - BRIGHT ZINC CHROMATE
QTY: 1 EACH



UNLESS OTHERWISE SPECIFIED

1. ALL DIMENSIONS ARE IN INCHES (MM)
2. DIMENSIONS ARE TYPICAL

Northern Technologies

THIS DRAWING IS THE PROPERTY OF NORTHERN TECHNOLOGIES AND SHOULD NOT BE REPRODUCED WITHOUT NORTHERN TECHNOLOGIES WRITTEN PERMISSION.

PART NUMBER SEE PART NUMBER INFORMATION
DESCRIPTION CP 09 ONE PIECE PLASTIC W/ THUMBSCREWS

DRAWN Luis C.	25-FEB-02	SIZE B	CODE 100_147	DWG NO. 0002-100-147	REV
CHECKED JSD	25-FEB-02	SCALE 1:1		SHEET 1 OF 1	
ISSUED	26-FEB-02				