



Piezo Buzzer

SL11-12(03.06.09)L



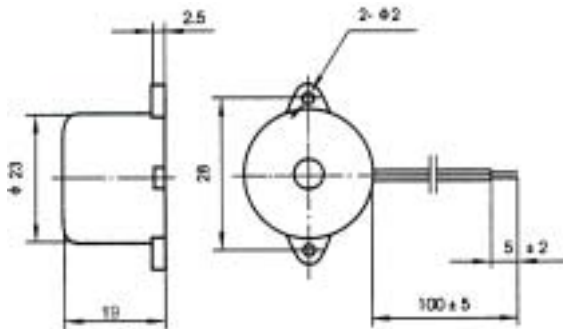
FEATURES:

- High Output
- High Efficiency
- Long Life

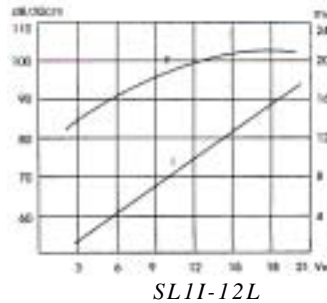
APPLICATIONS:

- Automatic Control Equipment
- Communication Equipment
- Electronic Instruments

DIMENSIONS:(Unit: mm)



CHARACTERISTICS:



ELECTRICAL SPECIFICATIONS :

| Model No. | SL11-03L | SL11-06L | SL11-09L | SL11-12L |
|-------------------------------------|------------|---------------------------|---------------------------|----------------------------|
| Min. Sound Pressure Level (dB) | 80/3V/30cm | 83/6V _{DC} /30cm | 85/9V _{DC} /30cm | 88/12V _{DC} /30cm |
| Rated Voltage (V) _{DC} | 3 | 6 | 9 | 12 |
| Operating Voltage (V) _{DC} | 1~5 | 4.5~9 | 6~12 | 9~15 |
| Max. Consumption (mA) | 25/3V | 15/6V _{DC} | 15/9V _{DC} | 15/12V _{DC} |
| Oscillating Frequency (kHz) | 3.3 0.5 | | | |
| Operating Temperature (°C) | -20~+70 | | | |
| Case Material/Color | ABS/Black | | | |
| Weight (g) | 8 | | | |

PACKING INFORMATION:

Packing: 2000 pcs per export carton

Carton Size: 245 cm

G. Weight: 17 kgs N. Weight: 15.5 kgs

Address: No. 12. Lane 722. Sangtian Road Jiangdong Science Garden
Ningbo, 315040. P. R. China

Fax No: (0574) 87803761

Tel: (0574) 87802511

