

## ITEM # TUDC12N7P, TUDC SERIES - AXIAL FAN WITH SENSOR

- Three sizes of "Silent" series: 120 mm Sq x 38 mm long, 120 mm Sq x 25 mm long, 92 mm Sq x 25 mm long
- Wide variety of product: 35 kinds (40 mm Sq x 20 mm long-120 mm Sq x 38 mm long)
- Sensor installed model
- Suitable for needs of bigger air flow rate required (generate air circulation flow inside of the unit.)



[Specifications](#) | [Airflow Pressure Curve](#) | [Dimensions](#) | [Additional Information](#) | [Customize](#)

### Specifications

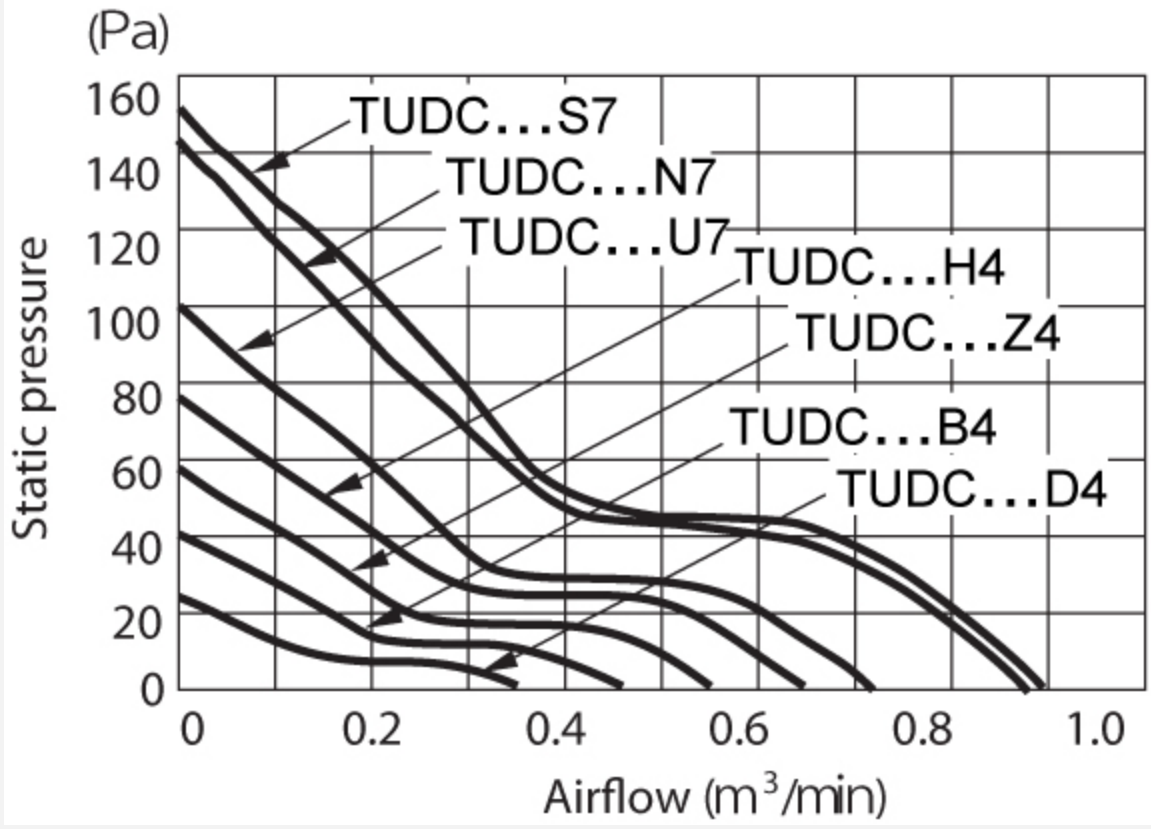
<b>Type</b>	Open Flange
<b>Product Type</b>	Axial Fan with Sensor
<b>Series</b>	DC Axial Fans
<b>Material</b>	Bearing : Both Side Shielded Ball Bearing Propeller : ABS and PBT Synthetic Resins Venturi : ABS and PBT Synthetic Resins
<b>Motor</b>	Brushless DC Motor, Protection type : Current shut off by detecting lock state, automatically reset

<b>Dimensions</b>	60 x 25 mm 2.4 x 1.0 in
<b>Rated Voltage (±10%)</b>	12 V
<b>Max Airflow</b>	31 cfm 0.87 m <sup>3</sup> /min
<b>Max Static Pressure</b>	130 Pa 0.52 inH <sub>2</sub> O
<b>Noise</b>	46 dB
<b>Weight</b>	75 g
<b>Operating Temperature</b>	-20 ~ +60 °C
<b>Options Available</b>	F60UL Guard P60P Guard
<b>Qty/Box</b>	100
<b>Carton Size</b>	45 x 38 x 16 cm
<b>Qty/Pallet</b>	2400
<b>Standard Pallet Size</b>	790 x 930 x 1090 cm
<b>Box/Pallet</b>	24

**Note**

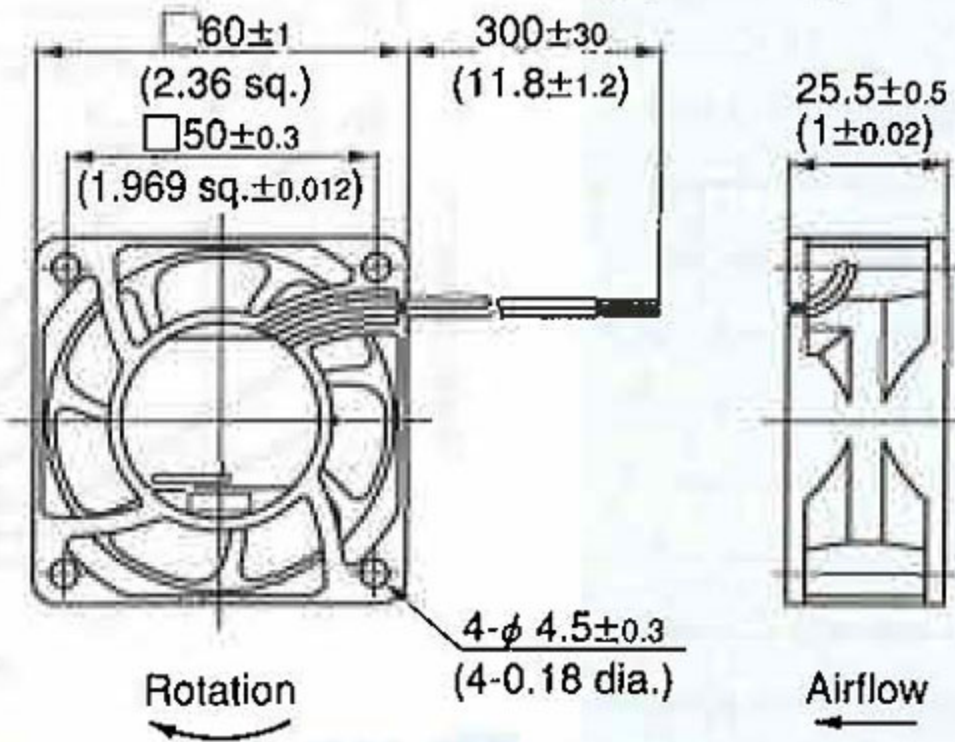
- NIDEC SERVO can meet many of your requirements for customization, such as special connectors, other sensors not listed above, variable speed specifications, and other modifications. Please contact NIDEC SERVO during your product planning and development stage
- The listed products are registered in the following overseas standards files, UL: E48889, CSA: LR49399, TUV: R9451586
- Customizing to the sleeve bearing specification also accepted depending on the intended purchase quantity. Contact NIDEC SERVO for further information
- 3D data is also available at our web2-CAD site

[By double chamber method]

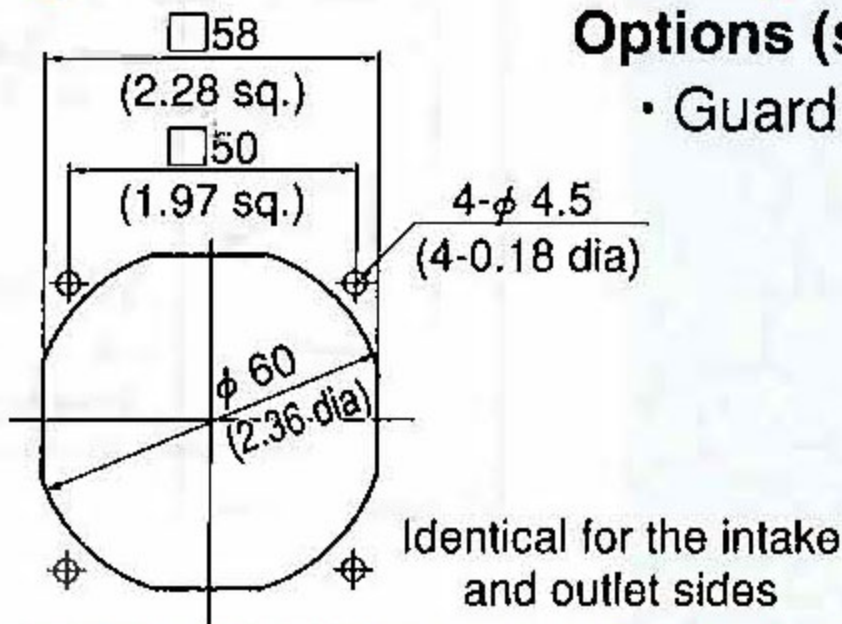


Standard Airflow & Static Pressure Characteristics

- **Lead wire type** Lead wire spec. AWG24 UL1007 or UL3266  
 Color (+) Red  
 (-) Black (TUDC□D4: Blue)



a1732.jpg



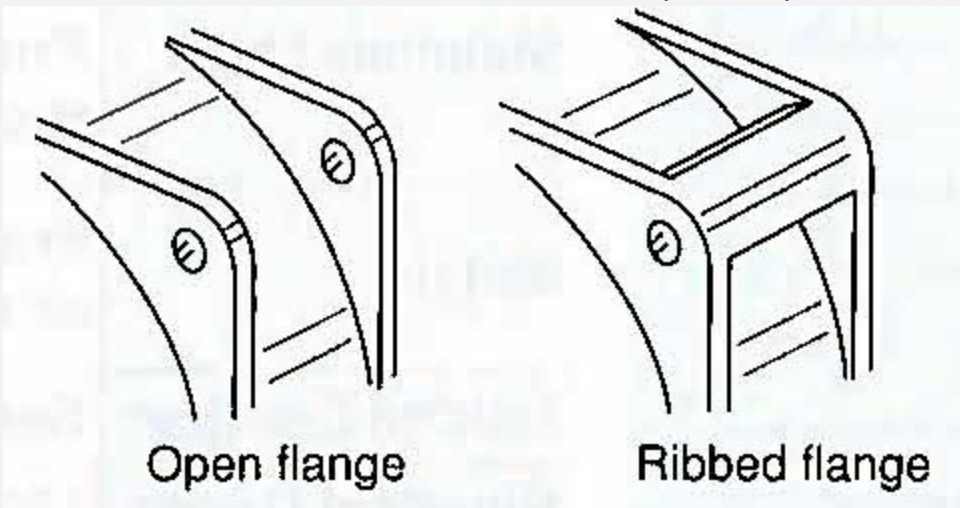
a1734.jpg

**Options (sold separately)**

- Guard: F60UL guard  
 P60P guard



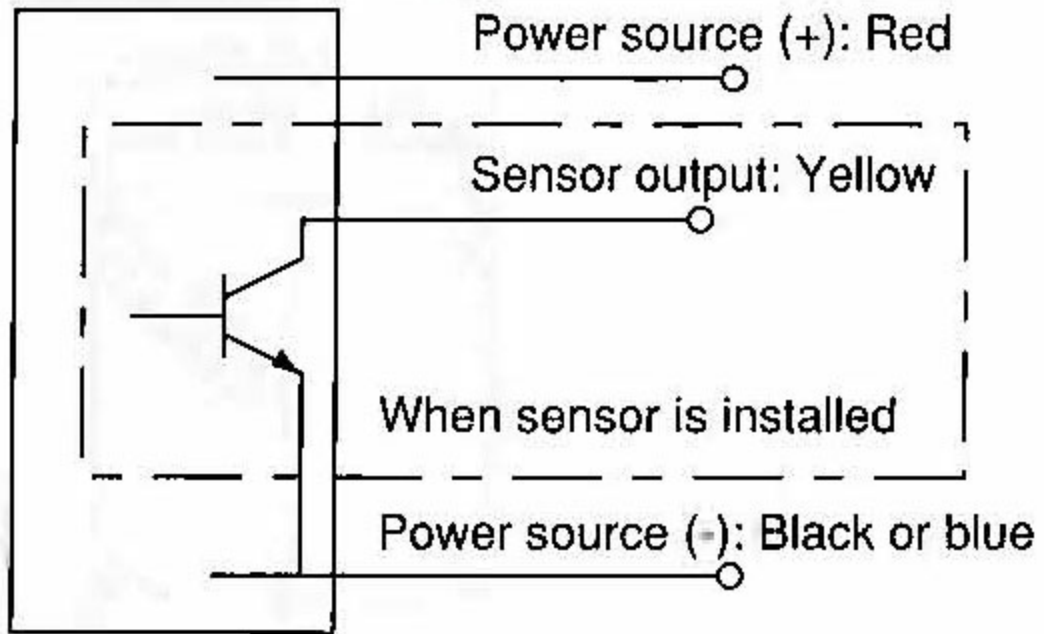
TUDC Series DC Axial Fans 60X25 (TUDC12)



Open flange

Ribbed flange

Venturi Shape



Wiring Diagram

Customize

[Custom Designs](#)