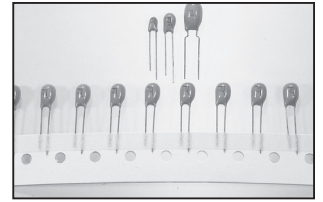


NDTM Series

Radial Tantalum Electrolytic Capacitors

FEATURES

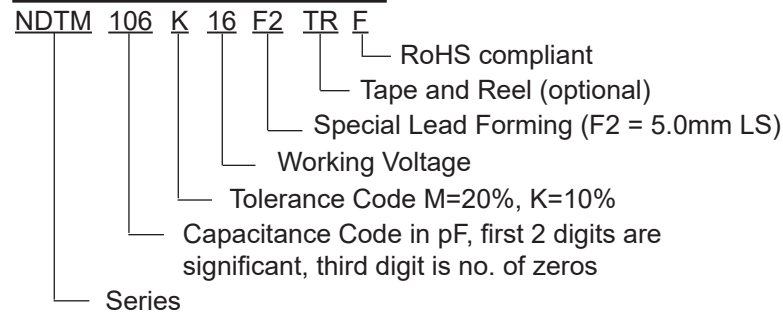
- FLUIDIZED BED PROCESS
- NEW REDUCED SIZES
- FLAME RETARDANT COATING
- LOW LEAKAGE CURRENT AND IMPEDANCE
- EXCEPTIONAL TEMPERATURE STABILITY



SPECIFICATIONS

Capacitance Range	0.1 μ F ~ 330 μ F						
Capacitance Tolerance	\pm 20% (M), \pm 10% (K)						
Temperature Range:	-55°C ~ +85°C (+125°C with Derating)						
Rated Voltage Range (Vdc) +85°C	6.3	10	16	20	25	35	50
Derated Voltage (Vdc) +125°C	4	6.3	10	13	16	23	33
Surge Voltage (Vdc) +85°C	8	13	20	26	33	46	65
Derated Surge Voltage (Vdc) +125°C	5	9	12	16	21	28	40
Dissipation Factor: (120Hz, +25°C Tan δ)	Capacitance Range			Tan δ			
	0.1 ~ 1.5 μ F			Less than 4%			
	2.2 ~ 6.8 μ F			Less than 6%			
	10 ~ 68 μ F			Less than 8%			
Reliability:	1%/1000 hours at +85°C with 0.1 Ω /V series impedance, 60% confidence level						

PART NUMBER SYSTEM



NDTM Series

Radial Tantalum Electrolytic Capacitors



STANDARD PART NUMBERS*

Part Number	Voltage (VDC)**	Cap. (µF)	Max. ESR (Ω)	Max. Leakage Current (µA)	Max. Dissipation Factor	Diameter (mm)	Height (mm)	Lead-Space (mm)	Lead Configuration
NDTM335K6.3F	6.3V	3.3	13.0	0.5	6%	4.5	7.0	2.5	1
NDTM475K6.3F		4.7	10.0	0.5	6%	4.5	7.0	2.5	1
NDTM685K6.3F		6.8	8.0	0.5	6%	4.5	7.0	2.5	1
NDTM106K6.3F		10	6.0	0.5	8%	4.5	7.5	2.5	1
NDTM156K6.3F		15	5.0	0.8	8%	5.0	8.5	2.5	1
NDTM226K6.3F		22	3.7	1.1	8%	5.0	9.0	2.5	1
NDTM336K6.3F		33	3.0	1.7	8%	5.5	9.0	2.5	1
NDTM476K6.3F		47	2.0	2.4	8%	6.0	10.0	2.5	1
NDTM686K6.3F		68	1.8	3.4	8%	6.5	10.0	2.5	1
NDTM107K6.3F		100	1.6	5.0	10%	7.0	10.5	2.5	1
NDTM157K6.3F		150	0.9	7.6	10%	8.5	14.0	5.0	1
NDTM227K6.3F		220	0.9	11.0	10%	9.0	14.5	5.0	1
NDTM337K6.3F		330	0.7	16.6	10%	10.0	17.0	5.0	1
NDTM225K10F	10V	2.2	13.0	0.5	6%	4.5	7.0	2.5	1
NDTM335K10F		3.3	10.0	0.5	6%	4.5	7.0	2.5	1
NDTM475K10F		4.7	8.0	0.5	6%	4.5	7.0	2.5	1
NDTM685K10F		6.8	6.0	0.5	6%	4.5	7.5	2.5	1
NDTM106K10F		10	5.0	0.8	8%	5.0	8.5	2.5	1
NDTM156K10F		15	3.7	1.2	8%	5.0	9.0	2.5	1
NDTM226K10F		22	2.7	1.7	8%	5.5	9.0	2.5	1
NDTM336K10F		33	2.1	2.6	8%	6.0	10.0	2.5	1
NDTM476K10F		47	1.7	3.7	8%	6.5	10.0	2.5	1
NDTM686K10F		68	1.3	5.4	8%	7.0	10.5	2.5	1
NDTM107K10F		100	1.0	8.0	10%	8.5	14.0	5.0	2
NDTM157K10F		150	0.8	12.0	10%	9.0	16.0	5.0	2
NDTM227K10F		220	0.6	17.6	10%	10.0	17.0	5.0	2
NDTM337K10F		330	0.5	20.0	10%	10.0	18.5	5.0	2
NDTM155K16F		16V	1.5	10.0	0.5	4%	4.5	7.0	2.5
NDTM225K16F	2.2		8.0	0.5	6%	4.5	7.0	2.5	1
NDTM335K16F	3.3		6.0	0.5	6%	4.5	7.0	2.5	1
NDTM475K16F	4.7		5.0	0.6	6%	4.5	7.5	2.5	1
NDTM685K16F	6.8		4.0	0.6	6%	5.0	8.5	2.5	1
NDTM106K16F	10		3.2	1.2	8%	5.0	9.0	2.5	1
NDTM156K16F	15		2.5	1.9	8%	5.5	9.0	2.5	1
NDTM226K16F	22		2.0	2.8	8%	6.0	10.0	2.5	1
NDTM336K16F	33		1.6	4.2	8%	6.0	10.0	2.5	1
NDTM476K16F	47		1.3	6.0	8%	8.0	13.0	2.5	1
NDTM686K16F	68		1.0	8.7	8%	9.0	14.0	5.0	2
NDTM107K16F	100		0.8	12.8	10%	9.0	16.0	5.0	2
NDTM157K16F	150		0.6	19.2	10%	9.0	16.0	5.0	2
NDTM227K16F	220		0.5	20	10%	10.0	18.5	5.0	2
NDTM105K20F	20V		1.0	10.0	0.5	4%	4.5	7.0	2.5
NDTM155K20F		1.5	9.0	0.5	4%	4.5	7.0	2.5	1
NDTM225K20F		2.2	7.0	0.5	6%	4.5	7.0	2.5	1
NDTM335K20F		3.3	5.5	0.5	6%	4.5	7.5	2.5	1
NDTM475K20F		4.7	4.5	0.7	6%	5.0	8.5	2.5	1
NDTM685K20F		6.8	3.6	0.7	6%	5.0	9.0	2.5	1
NDTM106K20F		10	2.9	1.6	8%	5.5	9.0	2.5	1
NDTM156K20F		15	2.4	2.4	8%	6.0	10.0	2.5	1
NDTM226K20F		22	1.8	3.5	8%	7.0	10.5	2.5	1
NDTM336K20F		33	1.4	5.2	8%	8.0	13.0	2.5	1
NDTM476K20F		47	1.2	7.5	8%	8.5	14.0	5.0	2
NDTM686K20F		68	0.9	10.8	8%	9.0	16.0	5.0	2
NDTM107K20F		100	0.6	16.0	10%	9.0	16.0	5.0	2
NDTM105K25F	25V	1.0	10.0	0.5	4%	4.5	7.0	2.5	1
NDTM155K25F		1.5	8.0	0.5	4%	4.5	7.0	2.5	1
NDTM225K25F		2.2	6.0	0.5	6%	4.5	7.0	2.5	1
NDTM335K25F		3.3	5.0	0.6	6%	4.5	7.5	2.5	1
NDTM475K25F		4.7	4.0	0.9	6%	5.0	8.5	2.5	1

*Also available in 20% tolerance (tolerance code "M"). Contact NIC for availability.

**See voltage de-rating guide at: <http://www.niccomp.com/help/techinfo/NTCVoltDerat71399.pdf>

Performance Passives By Design

NIC Components Corp.
1 Huntington Quadrangle, Suite 1C10. Melville, NY 11747

Page 2
www.niccomp.com

Last Updated 9/12/2025. Specification subject to change without notice. Please check web site for latest information.

NDTM Series

Radial Tantalum Electrolytic Capacitors



STANDARD PART NUMBERS*

Part Number	Voltage (VDC)**	Cap. (μF)	Max. ESR (Ω)	Max. Leakage Current (μA)	Max. Dissipation Factor	Diameter (mm)	Height (mm)	Lead-Space (mm)		
NDTM685K25F	25V	6.8	3.1	0.9	6%	5.0	9.0	2.5	1	
NDTM106K25F		10	2.5	2.0	8%	5.5	9.0	2.5	1	
NDTM156K25F		15	2.0	3.0	8%	6.0	10.0	2.5	1	
NDTM226K25F		22	1.5	4.4	8%	7.0	10.5	2.5	1	
NDTM336K25F		33	1.2	6.6	8%	8.0	13.0	2.5	1	
NDTM476K25F		47	1.0	9.4	8%	9.0	14.5	5.0	2	
NDTM686K25F		68	0.6	13.5	8%	9.0	16.0	5.0	2	
NDTM104K35F		35V	0.1	26.0	0.5	4%	4.5	7.0	2.5	1
NDTM154K35F	0.15		21.0	0.5	4%	4.5	7.0	2.5	1	
NDTM224K35F	0.22		17.0	0.5	4%	4.5	7.0	2.5	1	
NDTM334K35F	0.33		15.0	0.5	4%	4.5	7.0	2.5	1	
NDTM474K35F	0.47		13.0	0.5	4%	4.5	7.0	2.5	1	
NDTM684K35F	0.68		10.0	0.5	4%	4.5	7.0	2.5	1	
NDTM105K35F	1.0		8.0	0.5	4%	4.5	7.0	2.5	1	
NDTM155K35F	1.5		6.0	0.5	4%	4.5	7.0	2.5	1	
NDTM225K35F	2.2		5.0	0.6	6%	4.5	7.5	2.5	1	
NDTM335K35F	3.3		4.0	0.9	6%	5.0	8.5	2.5	1	
NDTM475K35F	4.7		3.0	1.3	6%	5.5	9.0	2.5	1	
NDTM685K35F	6.8		2.5	1.3	6%	6.0	10.0	2.5	1	
NDTM106K35F	10		2.0	2.8	8%	6.0	10.0	2.5	1	
NDTM156K35F	15		1.6	4.2	8%	7.0	10.5	2.5	1	
NDTM226K35F	22		1.3	6.1	8%	8.5	14.0	5.0	2	
NDTM336K35F	33		1.0	9.2	8%	9.0	14.5	5.0	2	
NDTM476K35F	47		0.8	10.0	8%	9.0	16.0	5.0	2	
NDTM104K50F	50V		0.1	26.0	0.5	4%	4.5	7.0	2.5	1
NDTM154K50F			0.15	21.0	0.5	4%	4.5	7.0	2.5	1
NDTM224K50F			0.22	17.0	0.5	4%	4.5	7.0	2.5	1
NDTM334K50F			0.33	15.0	0.5	4%	4.5	7.0	2.5	1
NDTM474K50F			0.47	13.0	0.5	4%	4.5	7.0	2.5	1
NDTM684K50F		0.68	10.0	0.5	4%	4.5	7.5	2.5	1	
NDTM105K50F		1.0	8.0	0.5	4%	5.0	8.5	2.5	1	
NDTM155K50F		1.5	6.0	0.5	4%	5.0	9.0	2.5	1	
NDTM225K50F		2.2	3.5	0.8	6%	5.5	9.0	2.5	1	
NDTM335K50F		3.3	3.0	1.3	6%	6.0	10.0	2.5	1	
NDTM475K50F		4.7	2.5	1.8	6%	6.5	10.0	2.5	1	
NDTM685K50F		6.8	2.0	1.8	6%	7.0	10.5	2.5	1	
NDTM106K50F		10	1.6	4.0	8%	8.0	13.0	2.5	1	
NDTM156K50F		15	1.2	6.0	8%	8.5	14.0	5.0	2	
NDTM226K50F		22	1.0	8.8	8%	9.0	14.0	5.0	2	

*Also available in 20% tolerance (tolerance code "M"). Contact NIC for availability.

**See voltage de-rating guide at: <http://www.niccomp.com/help/techinfo/NTCVoltDerat71399.pdf>

NDTM Series

Radial Tantalum Electrolytic Capacitors



DIMENSIONS (mm)

Diameter	Figure and Part #	Lead Spacing	Lead Length	Lead Diameter (d)
4.5 ~ 8.0	1 Standard	2.5 ± 0.5	16 ± 4.0	0.5 ± 0.05
4.5 ~ 8.0	2 Optional (F2) Style	5.0 ± 1.0	16 ± 4.0	0.5 ± 0.05
8.5 ~ 10.0	2 Standard	5.0 ± 1.0	16 ± 4.0	0.5 ± 0.05

STANDARD PRODUCTS AND CASE SIZE TABLE Dφ X H (mm)

		Maximum Leakage Current (μA) @ 25°C after 3 minutes							
Cap. (μF)	Code	Rated Voltage (Vdc)							
		6.3V	10V	16V	20V	25V	35V	50V	
0.1	104	-	-	-	-	-	4.5x7.0	4.5x7.0	
0.15	154	-	-	-	-	-	4.5x7.0	4.5x7.0	
0.22	224	-	-	-	-	-	4.5x7.0	4.5x7.0	
0.33	334	-	-	-	-	-	4.5x7.0	4.5x7.0	
0.47	474	-	-	-	-	-	4.5x7.0	4.5x7.0	
0.68	684	-	-	-	-	-	4.5x7.0	4.5x7.5	
1.0	105	-	-	-	4.5x7.0	4.5x7.0	4.5x7.0	5.0x8.5	
1.5	155	-	-	4.5x7.0	4.5x7.0	4.5x7.0	4.5x7.0	5.0x9.0	
2.2	225	-	4.5x7.0	4.5x7.0	4.5x7.0	4.5x7.0	4.5x7.5	5.5x9.0	
3.3	335	4.5x7.0	4.5x7.0	4.5x7.0	4.5x7.5	4.5x7.5	5.0x8.5	6.0x10.0	
4.7	475	4.5x7.0	4.5x7.0	4.5x7.5	5.0x8.5	5.0x8.5	5.5x9.0	6.5x10.0	
6.8	685	4.5x7.0	4.5x7.5	5.0x8.5	5.0x9.0	5.0x9.0	6.0x10.0	7.0x10.5	
10	106	4.5x7.5	5.0x8.5	5.0x9.0	5.5x9.0	5.5x9.0	6.0x10.0	8.0x13	
15	156	5.0x8.5	5.0x9.0	5.5x9.0	6.0x10.0	6.0x10.0	7.0x10.5	8.5x14.0	
22	226	5.0x9.0	5.5x9.0	6.0x10.0	7.0x10.5	7.0x10.5	8.5x14.0	9.0x14.0	
33	336	5.5x9.0	6.0x10.0	6.0x10.0	8.0x13.0	8.0x13.0	9.0x14.5	-	
47	476	6.0x10.0	6.5x10.0	8.0x13.0	8.5x14.0	9.0x14.5	9.0x16.0	-	
68	686	6.5x10.0	7.0x10.5	9.0x14.0	9.0x16.0	9.0x16.0	-	-	
100	107	7.0x10.5	8.5x14.0	9.0x16.0	9.0x16.0	-	-	-	
150	157	8.5x14.0	9.0x16.0	9.0x16.0	-	-	-	-	
220	227	9.0x14.5	10.0x17.0	10.0x18.5	-	-	-	-	
330	337	10.0x17.0	10.0x18.5	-	-	-	-	-	

OUTLINE DRAWINGS AND DIMENSIONS

MARKING: (Note: μ represents decimal point for values below 1μF)

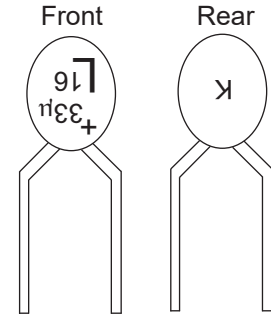


FIG. 1

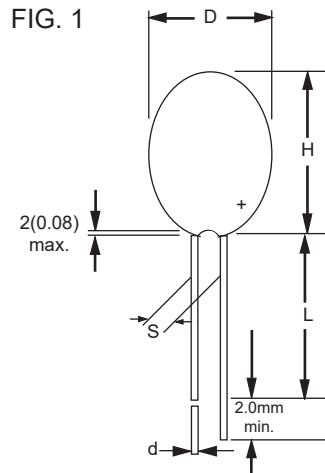
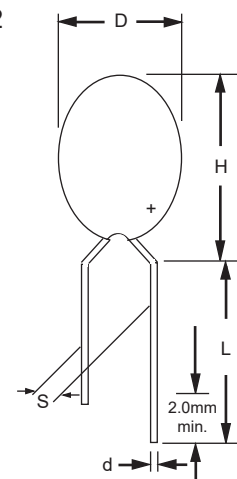
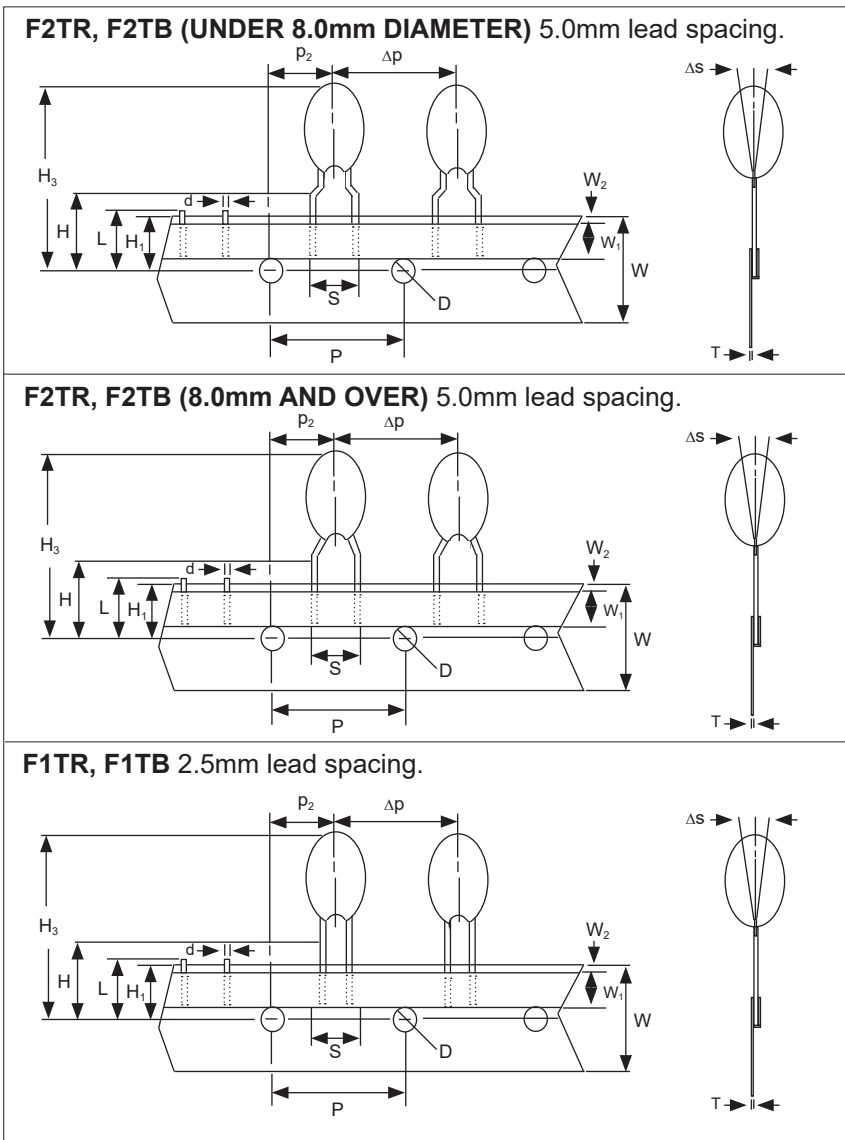


FIG. 2



NDTM Series

Radial Tantalum Electrolytic Capacitors



TAPING DIMENSIONS (mm)

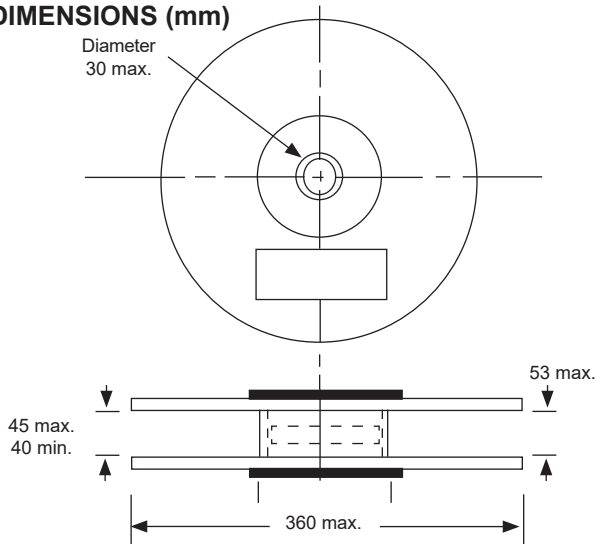
Code	Dimensions
P	12.7 ± 0.3
P ₁	5.5 ± 1.0
P ₂	6.35 ± 0.4
ΔP	±1.0
d	0.5 ± 0.05
S	F2TR, F2TB = 5.0 F1TR, F1TB = 2.5
Δh	±2.0
D	4.0 ± 0.2
W	18 ^{+1.0} _{-0.5}
W ₁	6.0 min.
W ₂	1.0 max.
H	16.0 ± 0.5 19.0 ± 1.0
H ₁	9.0 ± 0.5
H ₂	18.0
H ₃	32.25
L	11.0 max.
T	0.7 ± 0.2

Parts with diameters up to 9.0mm are available packaged on tape. Larger diameter parts are bulk only.

PACKAGING QUANTITIES

Case Size	Reel	Ammo
4.5 x 7.0	1000 ~ 1500	3000
4.5 x 7.5	1000 ~ 1250	3000
5.0 x 8.5	1000 ~ 1250	3000
5.0 x 9.0	1000 ~ 1250	3000
5.5 x 9.0	1000	2500
6.0 x 10.0	1000	2500
6.5 x 10.0	750	2500
7.0 x 10.5	750	2500
8.0 x 13.0	750	-
8.5 x 14.0	750	-
9.0 x 14.0	500	-
9.0 x 14.5	500	-

REEL DIMENSIONS (mm)



Performance Passives By Design

NIC Components Corp.
1 Huntington Quadrangle, Suite 1C10. Melville, NY 11747

Last Updated 9/12/2025. Specification subject to change without notice. Please check web site for latest information.