

## LMX5080 PLLatinum™ 2.7 GHz Low Power Dual Modulus Prescaler for RF Personal Communications

### General Description

The LMX5080 integrated dual modulus prescaler, is designed to be used in a synthesized local oscillator for 2.5 GHz wireless transceivers. It is fabricated using National's 0.5μ ABiCV silicon BiCMOS process. The LMX5080 contains three dual modulus prescalers. Either a 128/130, 256/158 or a 512/514 prescaler can be selected for up to 2.7 GHz RF input frequencies. The prescaler inputs can be driven either differentially, or single ended with the use of a coupling capacitor on one of the inputs to ground. The LMX5080 CMOS output is optimized to generate very stable, low switching noise output signals. The LMX5080 prescaler can be used in conjunction with a low frequency Phase Lock Loop to form a frequency synthesizer suitable for UHF transceivers. Supply voltage can range from 2.7V to 5.5V. The LMX5080 features low current consumption; typically 7.0 mA at 5V  $V_{CC}$ .

The LMX5080 is available in a 8-pin Small Outline (SOP) surface mount plastic package.

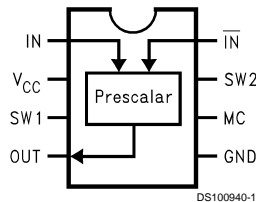
### Features

- 2.7V to 5.5V operation
- Low current consumption: 7 mA (typ) @ 5V
- -40°C to +85°C low noise CMOS output
- Selectable dual modulus prescaler
  - 128/130
  - 256/258
  - 512/514
- 8-pin small package outline (SOP)

### Applications

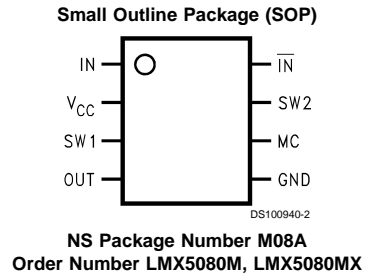
- 2.5 GHz wireless communications systems (ISM)
- Direct Broadcast Satellite systems (DBS)
- Cable TV tuners (CATV)

### Functional Block Diagram



PLLatinum™ is a trademark of National Semiconductor Corporation.

## Connection Diagram



## Pin Descriptions

Pin No.	Pin Name	I/O	Description
1	IN	I	RF small signal prescaler input. Small signal input from the voltage controlled oscillator
2	V <sub>CC</sub>	—	Power Supply voltage input may range from 2.7V to 5.5V. Bypass capacitors should be placed as close as possible to this pin and be connected directly to the ground plane.
3	SW1	I	Divide Ratio Control. CMOS logic input. Pin functionality is described in the Modulus Control Truth Table.
4	OUT	O	Prescaler Output. CMOS level output for connection to low frequency PLL input.
5	GND	—	Ground for analog and digital signals.
6	MC	I	Modulus Control Input. High impedance CMOS logic input. Pin functionality is described in the Modulus Control Truth Table.
7	SW2	I	Divide Ratio Control. High impedance CMOS logic input. Pin functionality is described in the Modulus Control Truth Table.
8	IN̄	I	RF small signal prescaler complementary input. In single-ended mode, a bypass capacitor should be placed as close as possible to this pin and be connected directly to the ground plane. The IN and IN̄ can be driven differentially when the bypass capacitor is omitted.

## Absolute Maximum Ratings (Note 1)

If Military/Aerospace specified devices are required, please contact the National Semiconductor Sales Office/Distributors for availability and specifications.

Parameter	Symbol	Value			Units
		Min	Typ	Max	
Power Supply Voltage	$V_{CC}$	-0.3		6.5	V
Voltage on any pin with GND=0V	$V_i$	-0.3		$V_{CC}+0.3$	V
Storage Temperature Range	$T_s$	-65		+1.50	°C
Lead Temp. (solder 4 sec)	$T_L$			+2.60	°C

## Recommended Operating Conditions (Note 1)

Parameter	Symbol	Value			Units
		Min	Typ	Max	
Power Supply Voltage	$V_{CC}$	2.7		5.5	V
Operating Temperature	$T_A$	-40		+85	°C

**Note 1:** "Absolute Maximum Ratings" indicate limits beyond which damage to the device may occur. Recommended Operating Conditions indicate conditions for which the device is intended to be functional, but do not guarantee specific performance limits. Electrical Characteristics document specific minimum and/or maximum performance values at specified test conditions and are guaranteed. Typ or Typical values are for informational purposes only which are based on design parameters or device characterization and are not guaranteed.

**Note 2:** This device is a high performance RF integrated circuit and is ESD sensitive. Handling and assembly of this device should only be done on ESD-free workstations.

## Electrical Characteristics

( $V_{CC} = 5.0V$ ,  $T_A = -40^{\circ}C$  to  $+85^{\circ}C$  except as specified) (Note 1)

Symbol	Parameter	Condition	Value			Units
			Min	Typ	Max	
$I_{CC}$	Power Supply Current			7		mA
$V_{OH}$	Output Amplitude	$Z_L = 100\text{ k}\Omega/10\text{ pF}$ $V_{CC} = 2.7V\text{ to }5.5V$	0.9 x $V_{CC}$			V
$V_{OL}$				0.1 x $V_{CC}$		V
$f_{in}$	Input Frequency	AC coupled. $V_{CC} = 2.7V\text{ to }5.5V$	100		2700	MHz
$Pf_{in}$	Operational Input Signal Amplitude	$V_{CC} = 2.7V\text{ to }5.5V$	-15		+4	dBm
$f_{out}$	Output Frequency		0.1		25	MHz
$V_{IH}$	High-level Input Voltage (MC, SW1, SW2)		0.7 x $V_{CC}$			V
$V_{IL}$	Low-level Input Voltage (MC, SW1, SW2)				0.3 x $V_{CC}$	V
$I_{IH}$	High-level Input Current (MC, SW1, SW2)	$V_{IH} = 0.7 \times V_{CC}$		$\pm 1$		$\mu A$
$I_{IL}$	Low-level Input Current (MC, SW1, SW2)	$V_{IL} = 0.3 \times V_{CC}$		$\pm 1$		$\mu A$
$t_{Set}$	Modulus Control Set-up time. (Note 3)	SW1=H, SW2=H $f_{in} = 2.7\text{ GHz}$		15	20	ns
IM	Input/Output Intermodulation (Note 4)	-10 dBm / 50 $\Omega$ AC coupled signal delivered to input. $V_{CC}=2.7V\text{ to }5.5V$ . MC=0, MC=1. Fin=2.3 GHz to 2.5 GHz.		-35	-30	dBc

**Note 3:** See Timing Diagram.

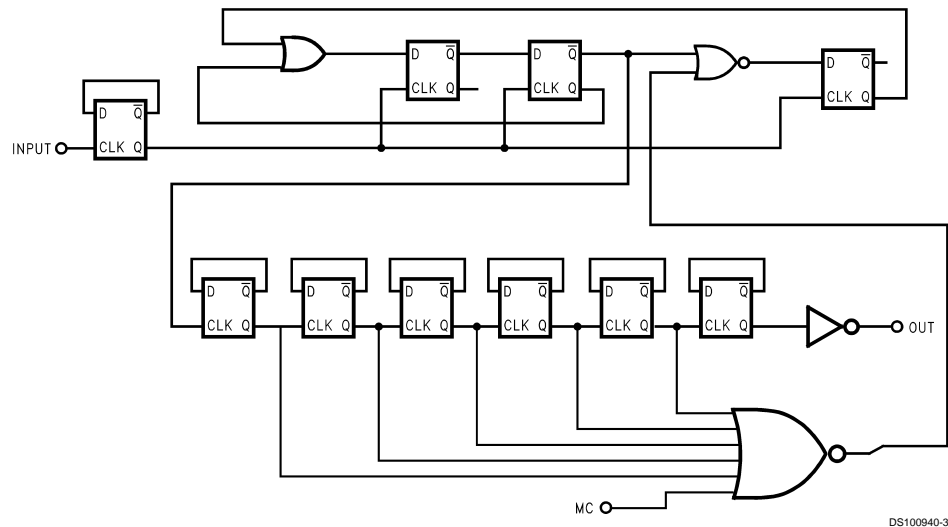
**Note 4:** Guaranteed by design and characterization, not tested. Output frequency measured at input.

## Functional Description

The basic phase-lock-loop (PLL) configuration using an external prescaler consists of a high-stability crystal reference oscillator, a prescaler such as the National Semiconductor LMX5080, a low frequency synthesizer, a voltage controlled oscillator (VCO), and a loop filter. The frequency synthesizer typically includes programmable reference [R] and feedback [N] frequency dividers, a phase detector, as well as a charge pump. The MC signal is fed back to the prescaler from either

the low frequency synthesizer, or a controller to set the prescaler divide ratio to N or N+2. The prescaler output frequency is established by dividing the VCO signal down via the prescaler modulus. The RF inputs to the prescaler consist of the Fin and /Fin input pins which are complementary inputs to a differential pair amplifier. This configuration can operate to 2 GHz with an input sensitivity of -15 dBm.

## Block Diagram

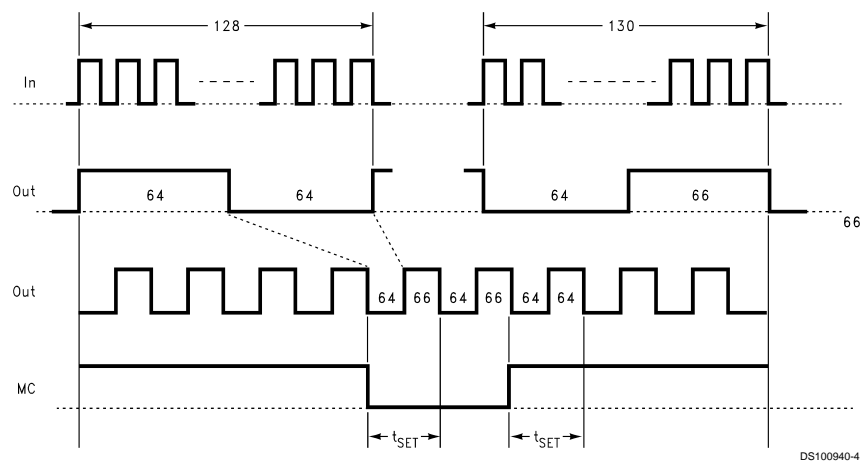


## Modulus Control Truth Table

SW1	SW2	MC	Divide Ratio
H	H	H	1/128
H	H	L	1/130
H	L	H	1/256
L	H	H	1/256
H	L	L	1/258
L	H	L	1/258
L	L	H	1/512
L	L	L	1/514

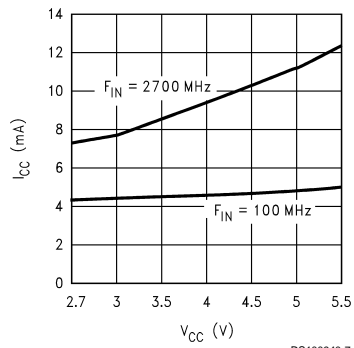
Note: SW1, SW2, MC: H =  $0.7 \times V_{CC}$ , L =  $0.3 \times V_{CC}$ .

## Timing Diagram



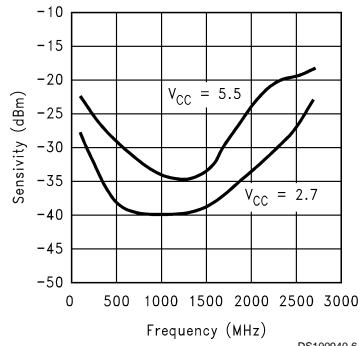
## Typical Performance Characteristics

$I_{CC}$  vs  $V_{CC}$   
 $N = 1/128$ ,  $T_A = 25^\circ\text{C}$



DS100940-7

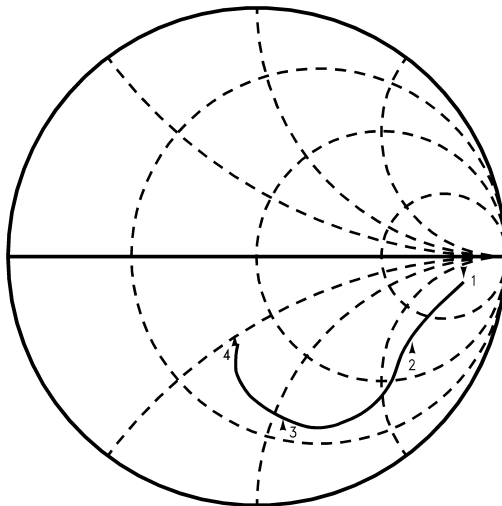
RF Input Sensitivity vs Frequency



DS100940-6

Input Impedance (S11) vs Frequency

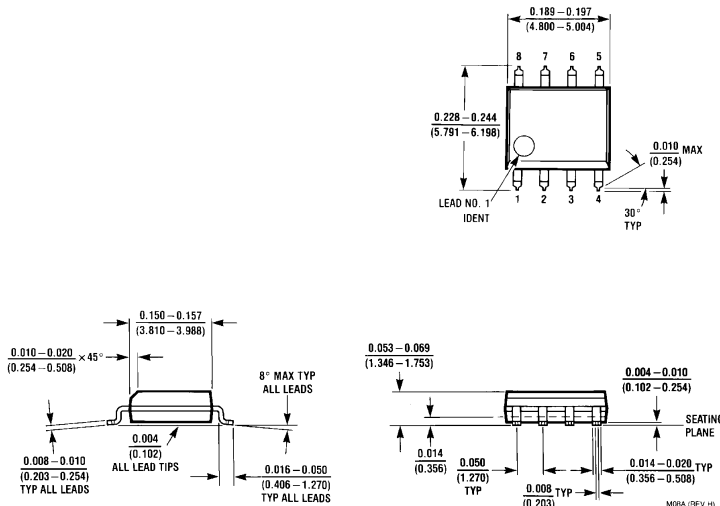
$V_{CC} = 2.7\text{V to }5.5\text{V}$ ,  $f_{in} = 100\text{ MHz to }2.7\text{ GHz}$



DS100940-8

Marker 1 = 100 MHz, Real = 364,  $I_{mag} = -253$   
 Marker 2 = 1 GHz, Real = 104,  $I_{mag} = -136$   
 Marker 3 = 2 GHz, Real = 26,  $I_{mag} = -53$   
 Marker 4 = 2.7 GHz, Real = 36,  $I_{mag} = -23$

**Physical Dimensions** inches (millimeters) unless otherwise noted




**8 Lead (0.150" Wide) Molded Small Outline Package, JEDEC**  
**Order Number LMX5080M**  
**For Tape and Reel**  
**Order Number LMX5080MX**  
**NS Package Number M08A**

**LIFE SUPPORT POLICY**

NATIONAL'S PRODUCTS ARE NOT AUTHORIZED FOR USE AS CRITICAL COMPONENTS IN LIFE SUPPORT DEVICES OR SYSTEMS WITHOUT THE EXPRESS WRITTEN APPROVAL OF THE PRESIDENT OF NATIONAL SEMICONDUCTOR CORPORATION. As used herein:

1. Life support devices or systems are devices or systems which, (a) are intended for surgical implant into the body, or (b) support or sustain life, and whose failure to perform when properly used in accordance with instructions for use provided in the labeling, can be reasonably expected to result in a significant injury to the user.
2. A critical component is any component of a life support device or system whose failure to perform can be reasonably expected to cause the failure of the life support device or system, or to affect its safety or effectiveness.


**National Semiconductor Corporation**  
Americas  
Tel: 1-800-272-9959  
Fax: 1-800-737-7018  
Email: support@nsc.com

www.national.com

**National Semiconductor Europe**  
Fax: +49 (0) 1 80-530 85 86  
Email: europe.support@nsc.com  
Deutsch Tel: +49 (0) 1 80-530 85 85  
English Tel: +49 (0) 1 80-532 78 32  
Français Tel: +49 (0) 1 80-532 93 58  
Italiano Tel: +49 (0) 1 80-534 16 80

**National Semiconductor Asia Pacific Customer Response Group**  
Tel: 65-2544466  
Fax: 65-2504466  
Email: sea.support@nsc.com

**National Semiconductor Japan Ltd.**  
Tel: 81-3-5639-7560  
Fax: 81-3-5639-7507