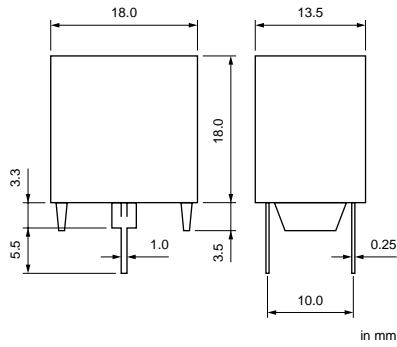


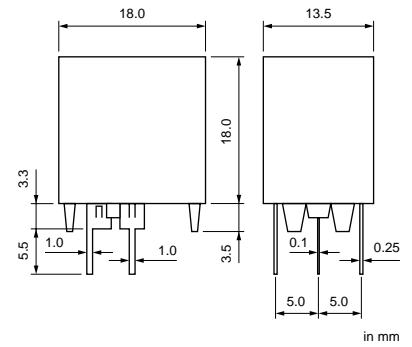
# PTC (POSISTOR®) for Degaussing Circuits



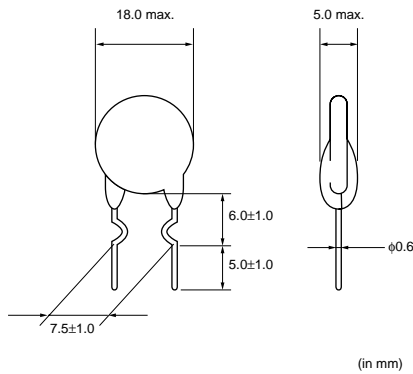
PTDA Series



PTDC Series



PTDL Series



Part Number	Resistance Value (25°C) (ohm)	Rated Volt. (V)	Max. Volt. (V)	Current (25°C) 0sec. (min.) (Ap-p)	Current (25°C) 3sec. (max.) (mAp-p)	Current (25°C) 180sec. (max.) (mAp-p)	Condition Volt. (V)	Condition Coil Resistance (ohm)
PTDAA1BF1R5M100	1.5 ±20%	100/120	140	38	500	90	100	5.5
PTDAA1BF3R0Q100	3 +30/-20%	100/120	140	17	200	60	100	11
PTDAA1BF4R5Q200	4.5 +30/-20%	220/240	270	22	300	50	200	20
PTDAA1BF7R0Q200	7 +30/-20%	220/240	270	19	300	50	200	20
PTDAA1BF9R0Q200	9 +30/-20%	220/240	270	18	300	50	200	20
PTDAA1BF140M200	14 ±20%	220/240	270	25	300	40	220	10
PTDAA1BF180N200	18 ±30%	220/240	270	25	250	35	220	8
PTDCA1BF3R0Q100	3 +30/-20%	100/120	140	28	300	7	100	5
PTDCA1BF4R5Q200	4.5 +30/-20%	200/220	270	21	300	7	200	20
PTDCA1BF7R0Q200	7 +30/-20%	220/240	270	19	300	7	200	20
PTDCA1BF9R0Q200	9 +30/-20%	220/240	270	18	300	10	200	20
PTDCA1BF140M200	14 ±20%	220/240	270	25	200	10	220	10
PTDCA1BF180N200	18 ±30%	220/240	270	15	300	10	200	13
PTDL7PBF5R0M10B	5 ±20%	100/120	140	45	300	60	100	1
PTDL7PBF7R0M10B	7 ±20%	100/120	140	25	260	60	100	3.5

Please contact us for UL and VDE recognized products.