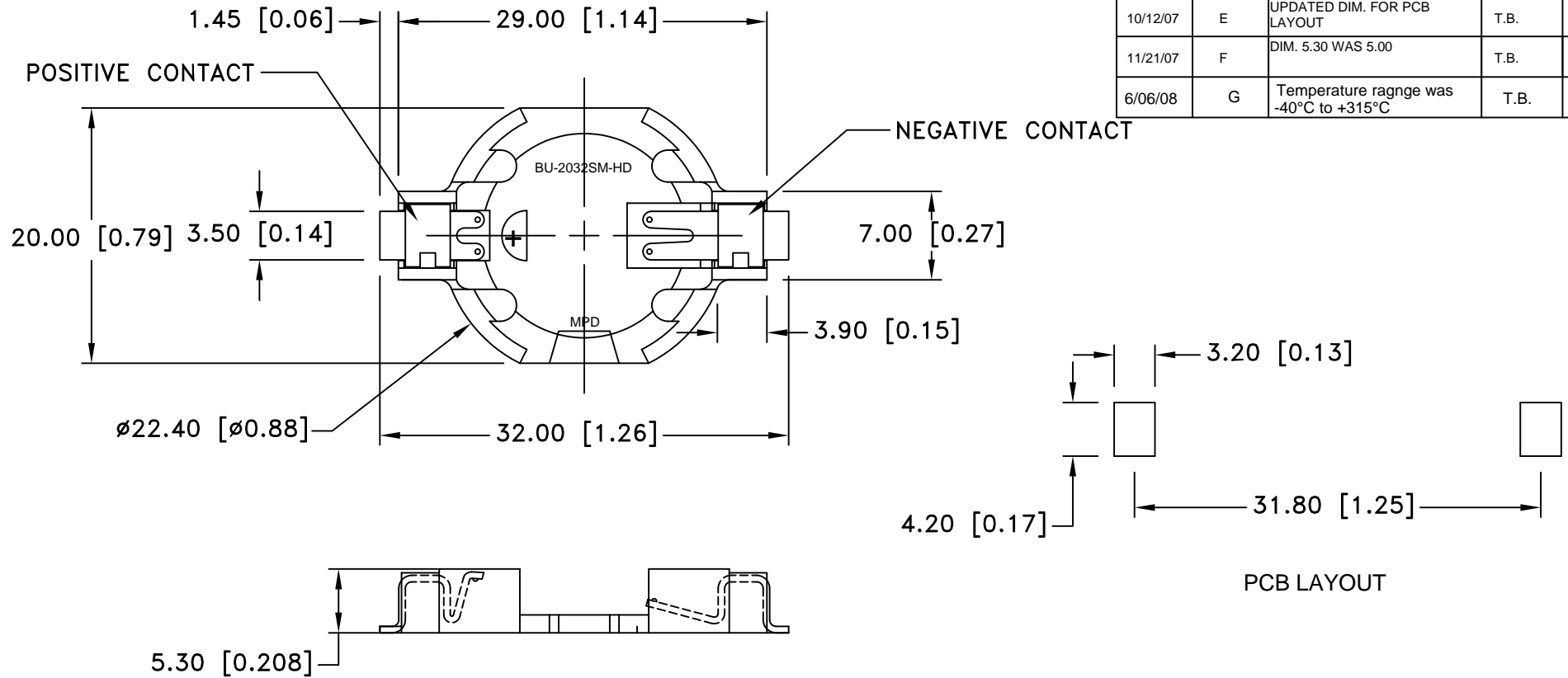



Date	SYM	REVISION RECORD	AUTH	DR.	CK.
03/05/04	B	ADDED UL FILE NO. E69939	T.B.	B.S.	
12/18/04	C	ADDED SPECIFICATIONS	T.B.	B.S.	
8/11/07	D	UPDATED SPECIFICATIONS	T.B.	B.S.	
10/12/07	E	UPDATED DIM. FOR PCB LAYOUT	T.B.	B.S.	
11/21/07	F	DIM. 5.30 WAS 5.00	T.B.	B.S.	
6/06/08	G	Temperature range was -40°C to +315°C	T.B.	B.S.	



SPECIFICATIONS:

- * Holder material- White, 30% glass reinforced Liquid Crystal Polymer resin, UL File No. E123598, UL94V-0
- * Contacts : 0.020" thick PHOS-BRONZE with spring temper, Nickel Plated, solder dipped PCB leads
- * Temperature range: -40°C to +280°C
- * Vibration Test: 10-50-10 Hz swept in 60 seconds
X,Y,Z direction: 1 hour each direction
- * Result: No dislodgement of the cell or damage
No discontinuity over 10 micro-seconds
- * Shock Test: Half sine wave acceleration 150G. 6 micro-seconds
3 shock pulses each direction per axis, total of 18 pulses
- * Result: No evidence of physical damage

Tolerance (Except as noted)	 Memory Protection Devices, Inc 200 Broad Hollow Road, Farmingdale, New York 11735	Scale	Drawn By B.S.
			Approved By T.B.
decimal ±.5 (.020)	Title SURFACE MOUNT BATTERY HOLDER FOR CR2032		
Fractional ± .8 (.030)		Date 6/06/08	Drawing Number BU2032SM-HD
Angular ± 3°			