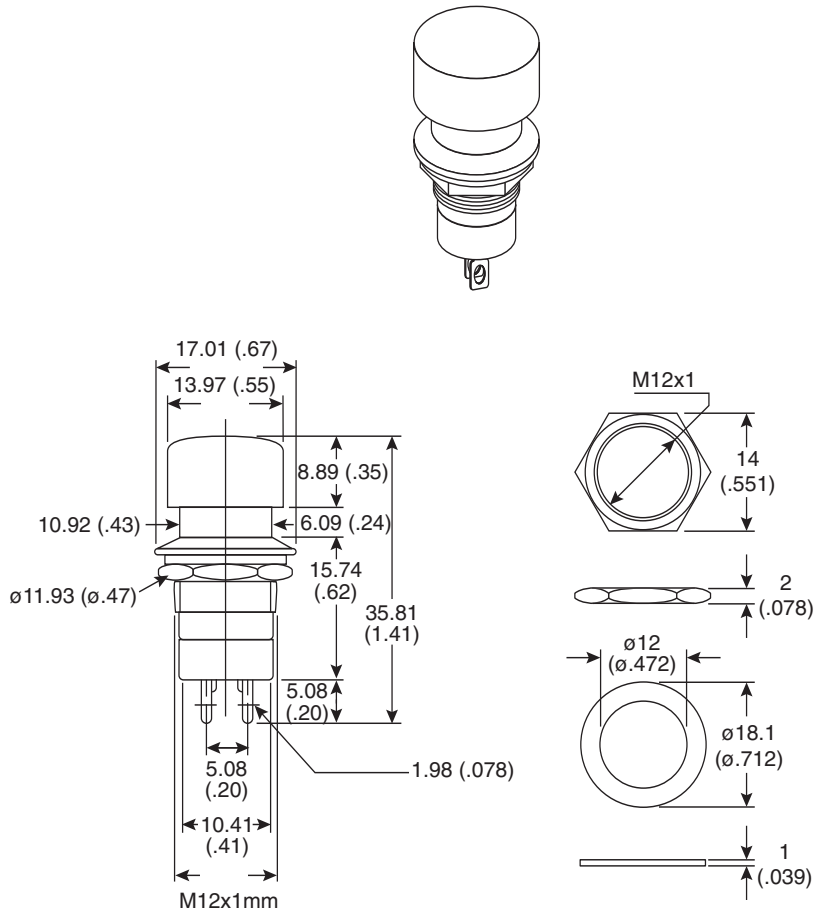


Dimensions: mm (In.)



**Electrical Specifications:**

- Rating: 3A / 250VAC
- Contact resistance: 10m $\Omega$  (max)
- Insulation resistance: 500VDC 100M $\Omega$  (min)
- Dielectric strength: 1500VAC for 1 minute

Mouser Stock No.	Circuit	Color
10PM021	Off-(On)	Red
10PM022	Off-(On)	Black
10PM031	On-Off	Red

**Mechanical Specifications:**

- Mounting hole: .48 inches
- Type: SPST

Pushbutton Switches  
10PM021, 10PM022, 10PM031



# Mouser Electronics

Authorized Distributor

Click to View Pricing, Inventory, Delivery & Lifecycle Information:

[Mountain Switch:](#)

[10PM022](#) [10PM021](#) [10PM031](#)