

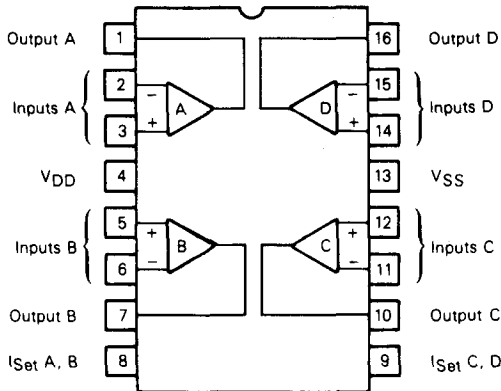
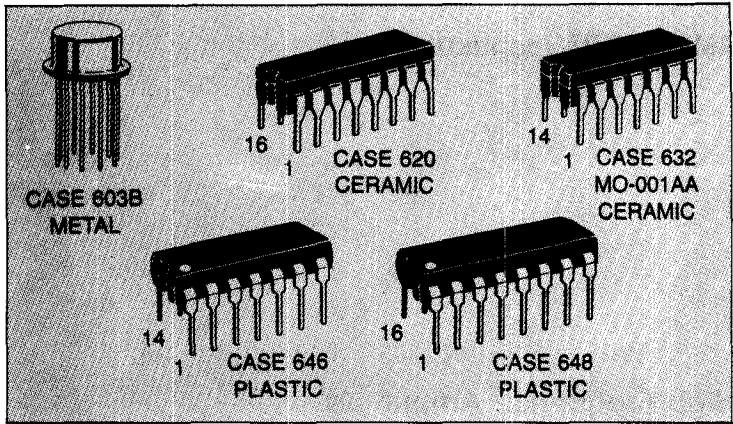
AMPLIFIERS (continued)

Multifunction Amplifiers

CMOS

These low power devices are designed for applications such as active filters, voltage reference circuits, function generators, oscillators, and limit set alarms.

- MC14573: Quad Programmable Operational Amplifier
- MC14574: Quad Programmable Comparator
- MC14575: Dual/Dual Programmable Operational Amplifier — Comparator



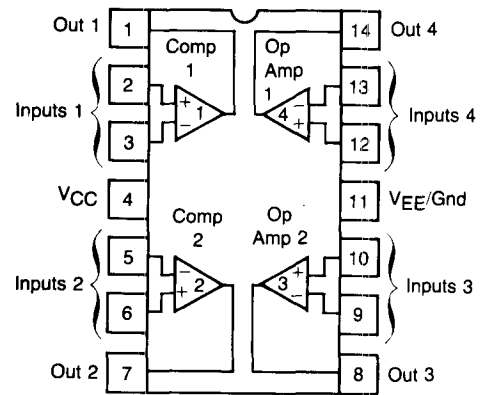
CASE 620, CASE 648

Supply Voltage Range		Frequency Range MHz
Single	Dual	
3.0 to 15	± 1.5 to ± 7.5	dc to ~1.0

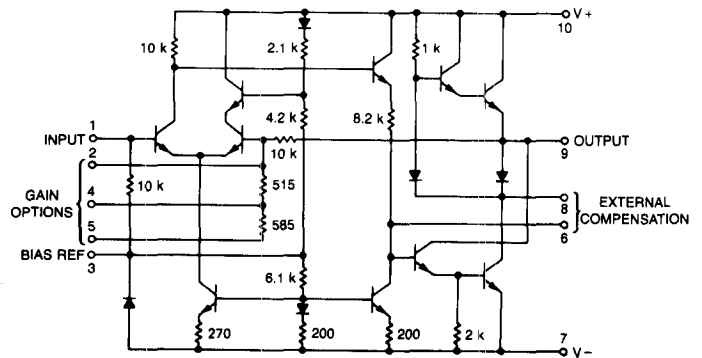
Bipolar Dual/Dual Operational Amplifier/Comparator

This device contains two Differential Input Operational Amplifiers and two Comparators each set capable of single supply operation. This operational amplifier-comparator circuit will find its applications as a general purpose product for automotive circuits and as an industrial "building block."

- MC3505L ($T_A = -55$ to $+125^\circ\text{C}$)
- MC3405L,P ($T_A = 0$ to $+70^\circ\text{C}$)



CASE 632, CASE 646



2