

Monolithic Diode Arrays

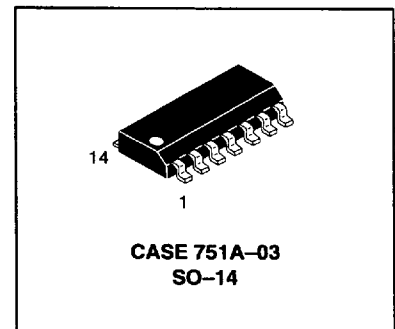
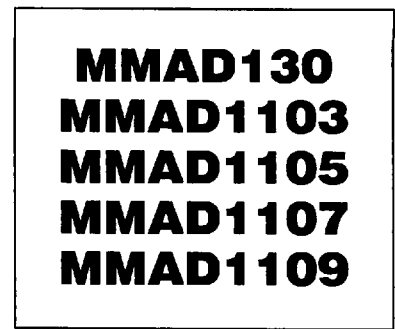
Surface Mount Diode Arrays

These diode arrays are multiple diode junctions fabricated by a planar process and mounted in integrated circuit packages for use in high-current, fast-switching core-driver applications. These arrays offer many of the advantages of integrated circuits such as high-density packaging and improved reliability. These advantages result from such factors as fewer glass-to-metal seals.

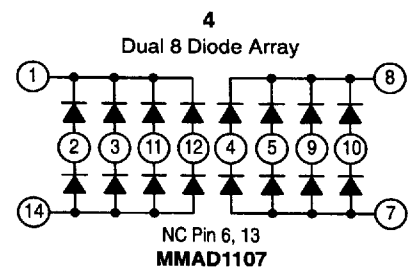
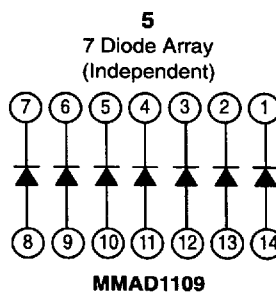
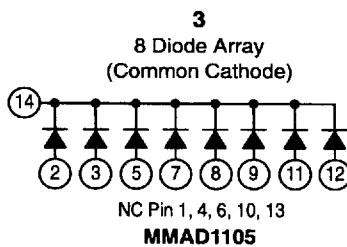
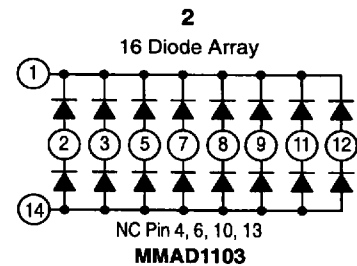
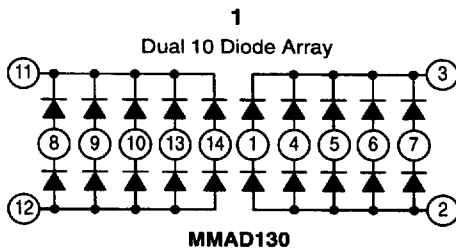
- Designed for Use in Computers and Peripheral Equipment
- Applications Include:
 - Magnetic Cores
 - Thin-Film Memories
 - Plated-Wire Memories
 - Decoding or Encoding Applications

MAXIMUM RATINGS

Rating	Symbol	Value	Unit
Peak Reverse Voltage	V_{RM}	50	Vdc
Steady-State Reverse Voltage	V_R	50	Vdc
Peak Forward Current 25°C	I_{FM}	500	mAdc
Continuous Forward Current	I_F	400	mAdc
Power Dissipation Derating Factor	P_D	500 4.0	mW mW/°C
Operating Temperature	T_A	-65 to +150	°C
Storage Temperature Range	T_{stg}	-65 to +150	°C



SO-14 PIN DIAGRAM



Thermal Clad is a trademark of the Bergquist Company

REV 1

6367255 0090628 730

© Motorola, Inc. 1997



Device	Description	Diagram
MMAD130	Dual 10 Diode Array	1
MMAD1103	16 Diode Array	2
MMAD1105	8 Diode Array Common Cathode	3
MMAD1107	Dual 8 Diode Array	4
MMAD1109	7 Diode Array	5

ELECTRICAL CHARACTERISTICS (@ 25°C Free-Air Temperature)

Characteristic	Symbol	Limit		Unit
		Min	Max	
Reverse Breakdown Voltage ⁽¹⁾ ($I_R = 10 \mu\text{A}_{dc}$)	$V_{(BR)}$	50	—	Vdc
Static Reverse Current ($V_R = 40 \text{Vdc}$)	I_R	—	0.1	μA_{dc}
Static Forward Voltage ($I_F = 100 \text{mA}_{dc}$) ($I_F = 500 \text{mA}_{dc}$) ⁽²⁾	V_F	—	1.2 1.6	Vdc
Peak Forward Voltage ⁽³⁾ ($I_F = 500 \text{mA}_{dc}$)	V_{FM}	—	5.0	Vdc

SWITCHING CHARACTERISTICS (@ 25°C Free-Air Temperature)

Characteristic	Symbol	Typical Value	Unit
Forward Recovery Time ($I_F = 500 \text{mA}_{dc}$)	t_{fr}	20	ns
Reverse Recovery Time ($I_F = 200 \text{mA}$, $I_{RM} = 200 \text{mA}$, $R_L = 100 \Omega$, $i_{rr} = 20 \text{mA}$)	t_{rr}	8.0	ns

NOTES:

1. This parameter must be measured using pulse techniques. $PW = 100 \mu\text{s}$, duty cycle $\leq 20\%$.
2. This parameter is measured using pulse techniques. $PW = 300 \mu\text{s}$, duty cycle $\leq 2.0\%$. Read time is $90 \mu\text{s}$ from the leading edge of the pulse.
3. The initial instantaneous value is measured using pulse techniques. $PW = 150 \text{ns}$, duty cycle $\leq 2.0\%$, pulse rise time $\leq 10 \text{ns}$. The total capacitance shunting the diode is 19pF maximum and the equipment bandwidth is 80MHz .

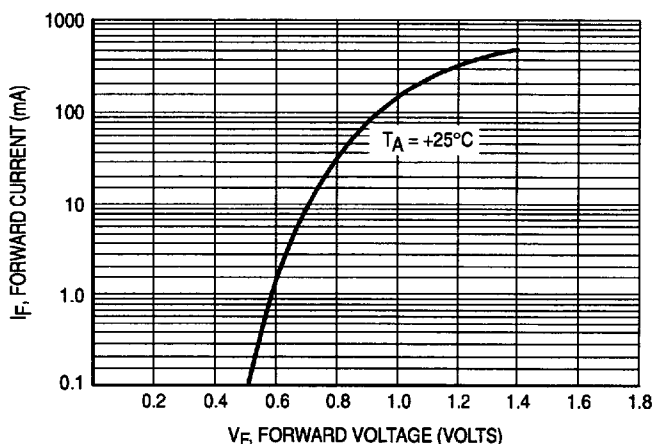


Figure 1. Typical Characteristics Static Forward Voltage

6367255 0090629 677

TEST PROCEDURE FOR MULTIPLE DIODES

1.0. REVERSE BIAS TESTING

1.1. LEAKAGE

Regardless of device configuration type, when testing any reverse bias condition, the forcing power supply must be applied only to the uncommon terminal of the pair. As in Figure 1, this would be pins 1 and 14. This can be referred to as the high side of the test circuit. The low side of the test circuit must be connected to the common terminal of the pair which in most testers is where the current measurement is taken. This method is used to eliminate the possibility of degrading the diode in that pair which is not under test. Diode arrays with multiple pairs such as the MMAD1103, also have leakage paths in the die between common terminals of the pairs. To isolate the device under test so that the leakage from the other pairs in the package do not affect the test result, the leakage current from the common terminals of the pairs not under test must be shunted to measurement common. Figure 1 shows the test configuration for both of these cases.

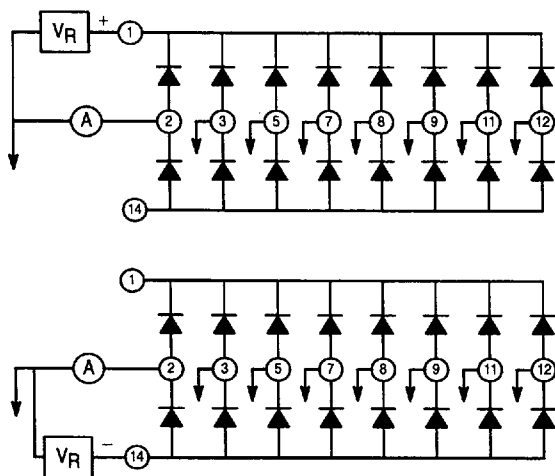


Figure 1

1.2. BREAKDOWN

It is not recommended to test breakdown on these devices due to the possibility of degrading the device. Breakdown may be checked on a curve tracer but extreme caution should be used.

2.0. FORWARD BIAS TESTING

Diode arrays are designed with the pairs in parallel; therefore, care must be taken to prevent the other diodes in the array from affecting the measured value of the diode under test. Figure 2 illustrates the proper technique to measure only the correct value of the diode under test.

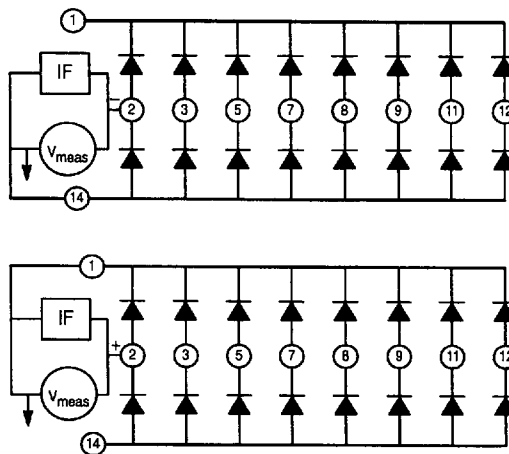


Figure 2

2.1. KELVIN CONNECTION

To achieve the best possible accuracy when testing bias currents over 10 mA, Kelvin connection to the leads of the device under test is mandatory. True Kelvin connection dictates that two test connections are made directly to the leads of the device. One is for power which is the bias supply, and the other is for sense which is for the measurement circuit. Kelvin connections are used to eliminate the effects of the connection resistance between the lead of the device and the contacts of the test handler and/or hand fixture. Figure 3 is an example of Kelvin connection.

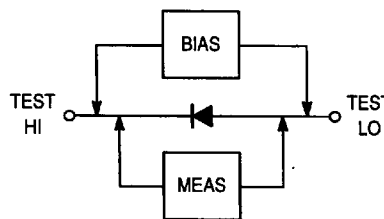


Figure 3

2.2. PULSE TESTING

When testing bias currents over 10 mA, pulse testing should be used to minimize thermal drift of the measured value. The pulse width of a pulse test is approximately 300 μs to 380 μs.

3.0. TESTING PROTOCOL

3.1. TEST TYPES

When testing in sequence all of the electrical characteristics, all reverse bias conditions should be tested before the forward bias conditions are tested.

3.2. BIASING MAGNITUDES

Tests of the same test type should be grouped together with the bias conditions in ascending order. For example:

- $V_F @ 10 \text{ mA} < 0.6 \text{ V}$
- $V_F @ 50 \text{ mA} < 0.8 \text{ V}$
- $V_F @ 100 \text{ mA} < 1 \text{ V}$
- $V_F @ 500 \text{ mA} < 1.5 \text{ V}$

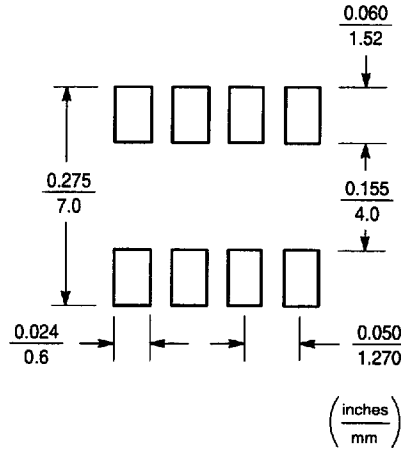
6367255 0090630 399

INFORMATION FOR USING THE SO-14 SURFACE MOUNT PACKAGE

MINIMUM RECOMMENDED FOOTPRINT FOR SURFACE MOUNTED APPLICATIONS

Surface mount board layout is a critical portion of the total design. The footprint for the semiconductor packages must be the correct size to insure proper solder connection

interface between the board and the package. With the correct pad geometry, the packages will self align when subjected to a solder reflow process.



SO-14

SO-14 POWER DISSIPATION

The power dissipation of the SO-14 is a function of the pad size. This can vary from the minimum pad size for soldering to a pad size given for maximum power dissipation. Power dissipation for a surface mount device is determined by $T_{J(max)}$, the maximum rated junction temperature of the die, $R_{\theta JA}$, the thermal resistance from the device junction to ambient, and the operating temperature, T_A . Using the values provided on the data sheet for the SO-14 package, P_D can be calculated as follows:

$$P_D = \frac{T_{J(max)} - T_A}{R_{\theta JA}}$$

The values for the equation are found in the maximum ratings table on the data sheet. Substituting these values into the equation for an ambient temperature T_A of 25°C, one can calculate the power dissipation of the device which in this case is .5 watts.

$$P_D = \frac{150^\circ\text{C} - 25^\circ\text{C}}{250^\circ\text{C/W}} = .5 \text{ watts}$$

The 250°C/W for the SO-14 package assumes the use of the recommended footprint on a glass epoxy printed circuit board to achieve a power dissipation of .5 watts. There are other alternatives to achieving higher power dissipation from the SO-14 package. Another alternative would be to use a ceramic substrate or an aluminum core board such as Thermal Clad™. Using a board material such as Thermal Clad, an aluminum core board, the power dissipation can be doubled using the same footprint.

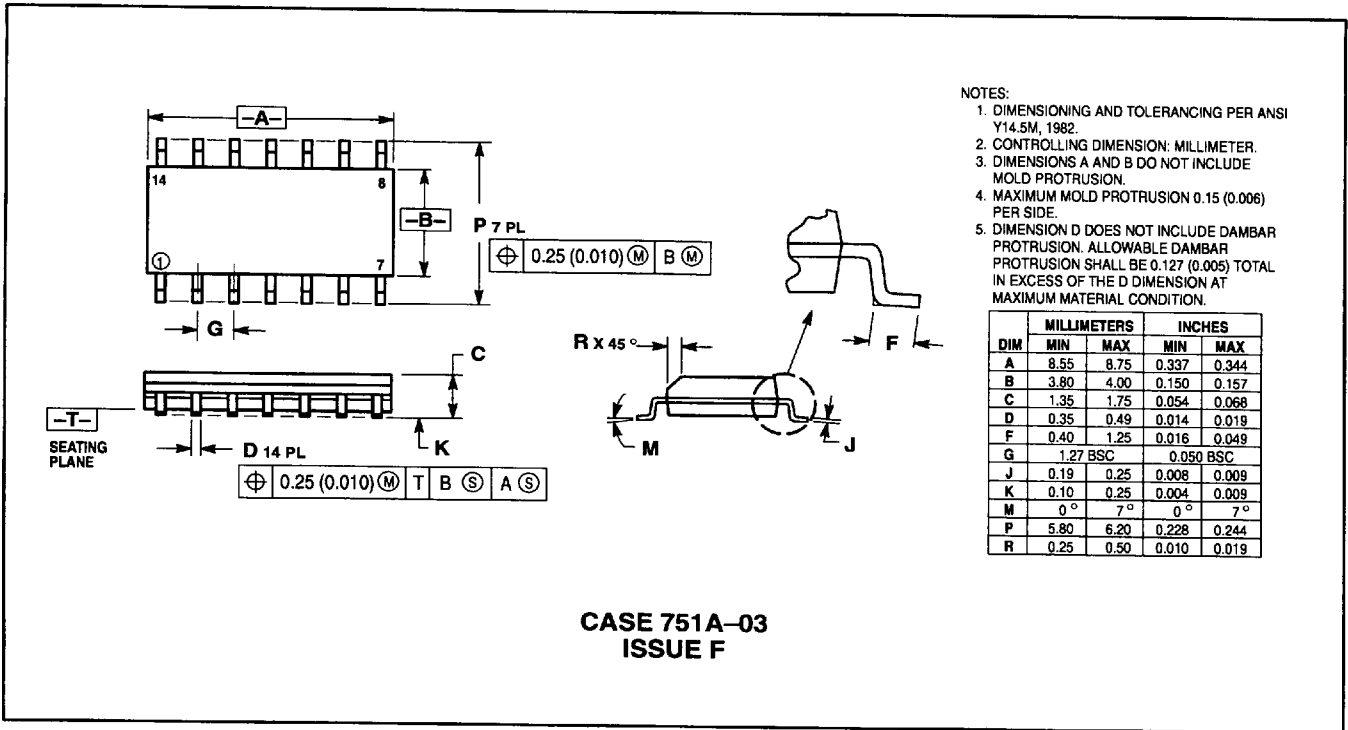
SOLDERING PRECAUTIONS

The melting temperature of solder is higher than the rated temperature of the device. When the entire device is heated to a high temperature, failure to complete soldering within a short time could result in device failure. Therefore, the following items should always be observed in order to minimize the thermal stress to which the devices are subjected.

- Always preheat the device.
- The delta temperature between the preheat and soldering should be 100°C or less.*
- When preheating and soldering, the temperature of the leads and the case must not exceed the maximum temperature ratings as shown on the data sheet. When using infrared heating with the reflow soldering method, the difference shall be a maximum of 10°C.
- The soldering temperature and time shall not exceed 260°C for more than 10 seconds.
- When shifting from preheating to soldering, the maximum temperature gradient shall be 5°C or less.
- After soldering has been completed, the device should be allowed to cool naturally for at least three minutes. Gradual cooling should be used as the use of forced cooling will increase the temperature gradient and result in latent failure due to mechanical stress.
- Mechanical stress or shock should not be applied during cooling.

* Soldering a device without preheating can cause excessive thermal shock and stress which can result in damage to the device.

PACKAGE DIMENSIONS



6367255 0090632 161