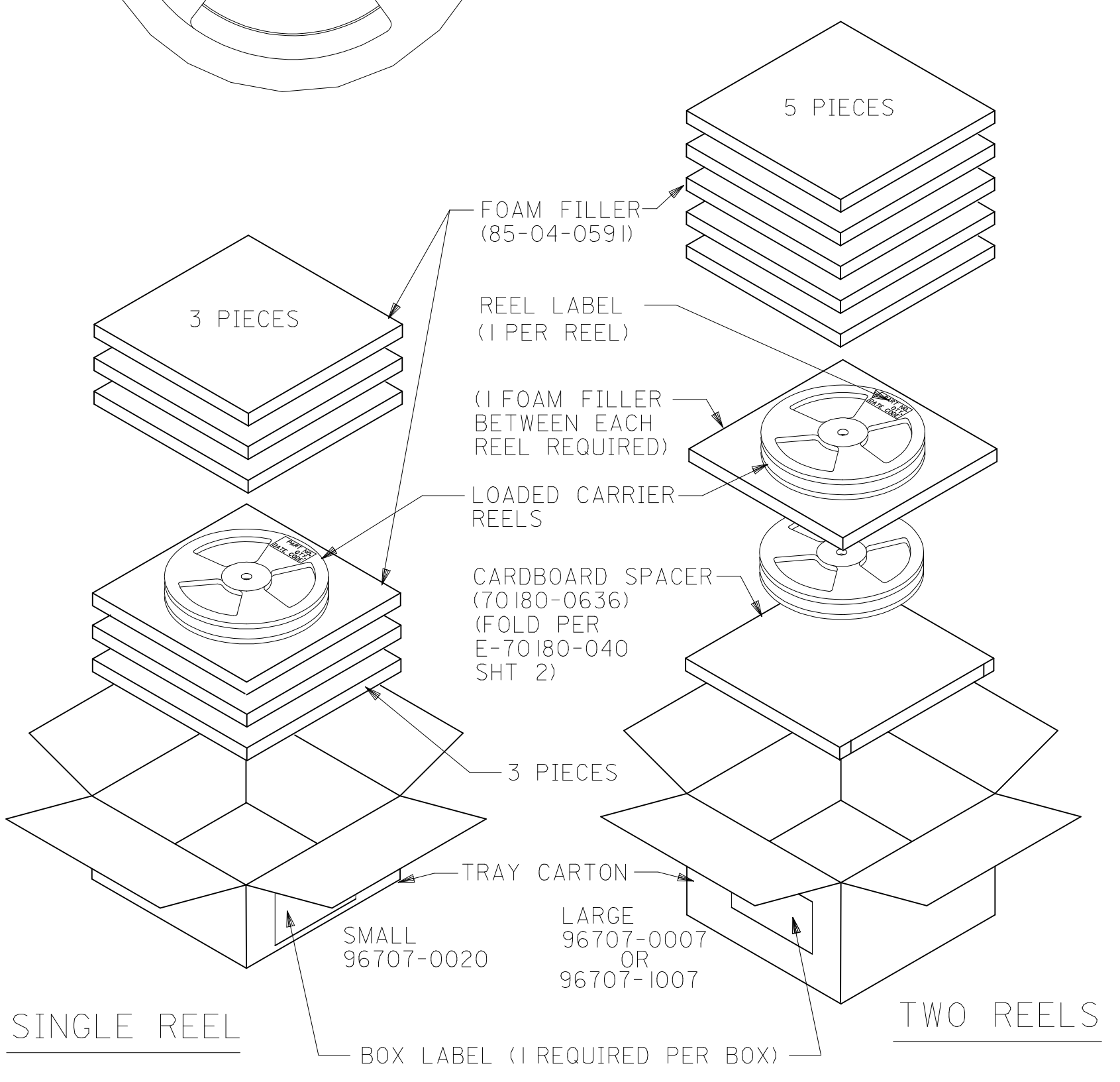


NOTES

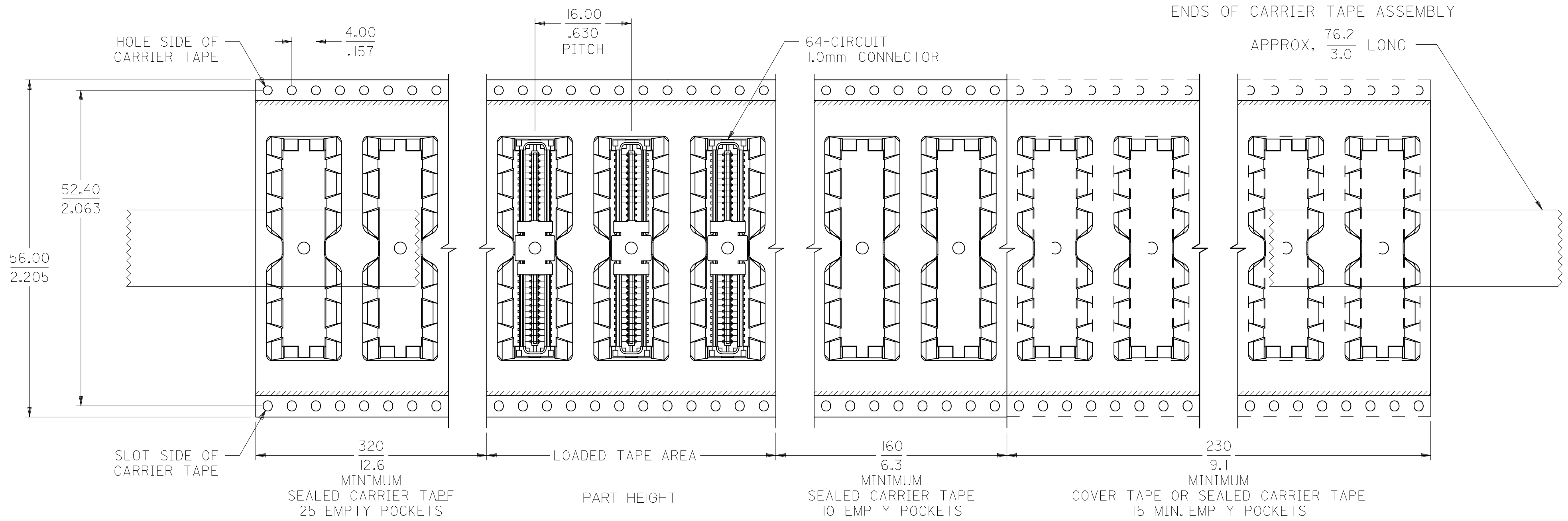
- PLEASE REFER TO EIA STANDARD E-481-D FOR ALL ITEMS NOT COVERED BY THIS PACKAGING SPECIFICATION.
- THE COVER TAPE MUST NOT EXTEND OVER THE EDGES OF THE EMBOSSSED CARRIER TAPE AND THE COVER TAPE NOT TO COVER MORE THAN HALF THE DIAMETER OF THE SPROCKET HOLES
- EACH REEL AND EACH CARTON MUST HAVE A LABEL AFFIXED TO IT WITH THE FOLLOWING INFORMATION: CONNECTOR ITEM NO., QUANTITY, AND DATE CODE.
- ALL PACKAGING COMPONENT MATERIALS (COVER TAPE, EMBOSSSED CARRIER TAPE, AND CARRIER REEL) ARE 100% ANTI-STATIC
- ABSOLUTELY NO TAPE SPLICES ARE PERMITTED ON FINISHED REELS.
- PACKAGING MATERIALS:
 COVER TAPE - COMPOSITE OF POLYETHYLENE TEREPHTHALATE (PET), POLYETHYLENE (PE), AND POLYFILM (PEF)
 EMBOSSSED CARRIER TAPE - POLYSTYRENE (PS)
 CARRIER REEL - POLYSTYRENE (PS)
- THE COVER TAPE MUST HAVE A PEEL STRENGTH BETWEEN 10 AND 65 GRAMS PER SIDE WHEN PULLED OPPOSITE THE DIRECTION OF THE CARRIER TAPE TRAVEL SUCH THAT THE COVER TAPE MAKES AN ANGLE OF 0°/15° AS SHOWN IN DETAIL B. THE EMBOSSSED CARRIER TAPE OR COVER TAPE MUST BE PULLED WITH A VELOCITY OF 300±10MM PER MINUTE.
- THERE ARE TO BE NO SKIPS IN THE COVER TAPE BOND.
- REFER TO PACKAGING MATRIX FOR NUMBER OF CONNECTORS PER REEL.
- MUST HAVE A MINIMUM OF 25 EMPTY POCKETS OF CARRIER TAPE TO COVER SLOTS IN HUB.
- SEE DRAWING E-70180-028 FOR 1/2 HUB WITH FLANGE NUMBERS NEEDED FOR CARRIER REELS.



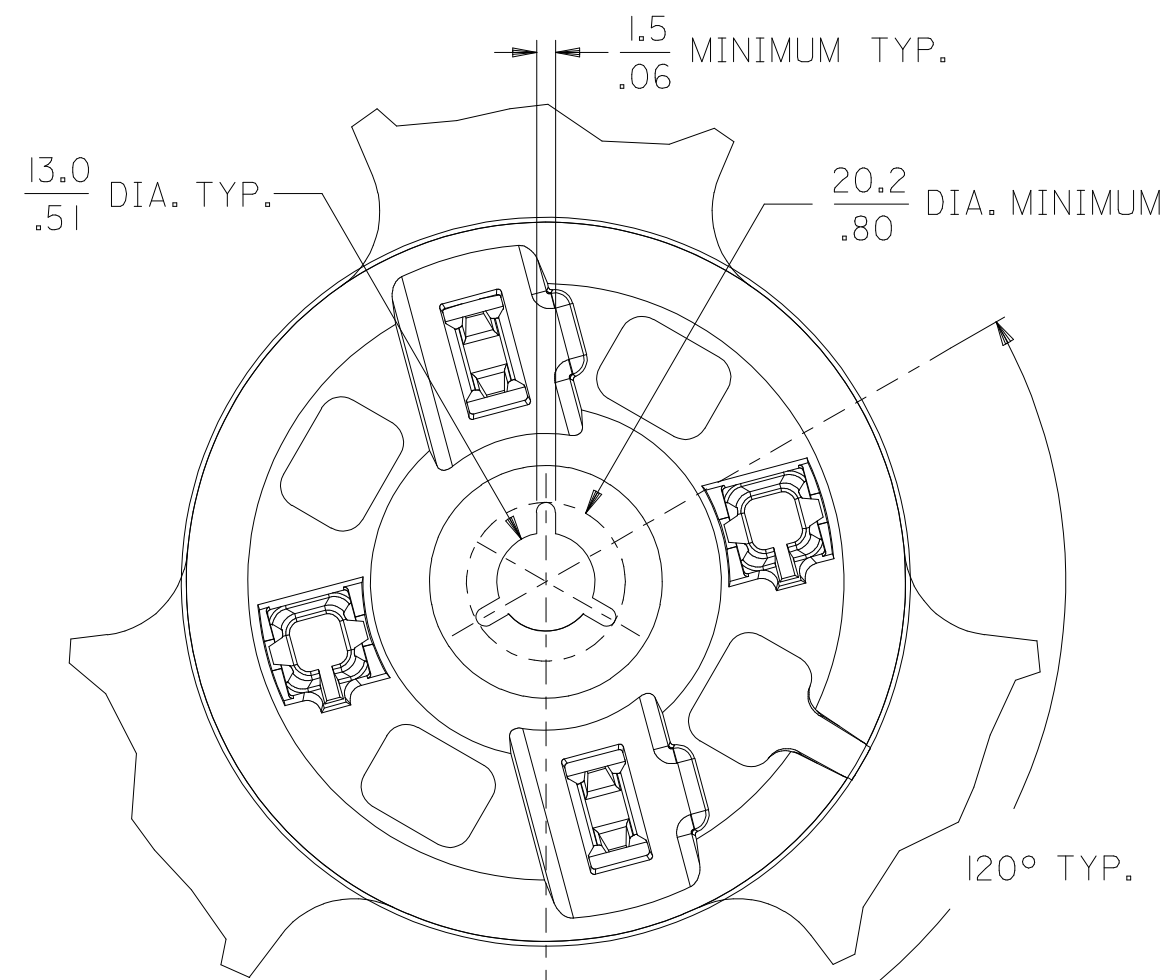
UPDATE NOTES EC NO: UCP2009-2150 DRWN:BBARKER 2009/02/25 CH'KD:MIBARRA 2009/04/29 APPR:SMILLER 2009/04/29	QUALITY SYMBOLS ▽=0 ▽=0	GENERAL TOLERANCES (UNLESS SPECIFIED) mm INCH 4 PLACES ± --- ± --- 3 PLACES ± --- ± --- 2 PLACES ± --- ± --- 1 PLACE ± --- ± --- ANGULAR ±1/2°	DIMENSION STYLE MM/IN DRAWN BY DATE MIBARRA 2005/11/07 CHECKED BY DATE BBARKER 2005/11/07 APPROVED BY DATE SMILLER 2005/11/07	SCALE DESIGN UNITS METRIC THIRD ANGLE PROJECTION	TITLE TAPE AND REEL PACKAGING FOR 1MM MEZZANINE BOARD-TO-BOARD ASSY'S MOLEX INCORPORATED	MATERIAL NO. SEE TABLE	DOCUMENT NO. PK-70873-063	SHEET NO. 1 OF 2	
	DRAFT WHERE APPLICABLE MUST REMAIN WITHIN DIMENSIONS	SIZE THIS DRAWING CONTAINS INFORMATION THAT IS PROPRIETARY TO MOLEX INCORPORATED AND SHOULD NOT BE USED WITHOUT WRITTEN PERMISSION							

FEED DIRECTION WHEN REMOVING PARTS FROM TAPE 

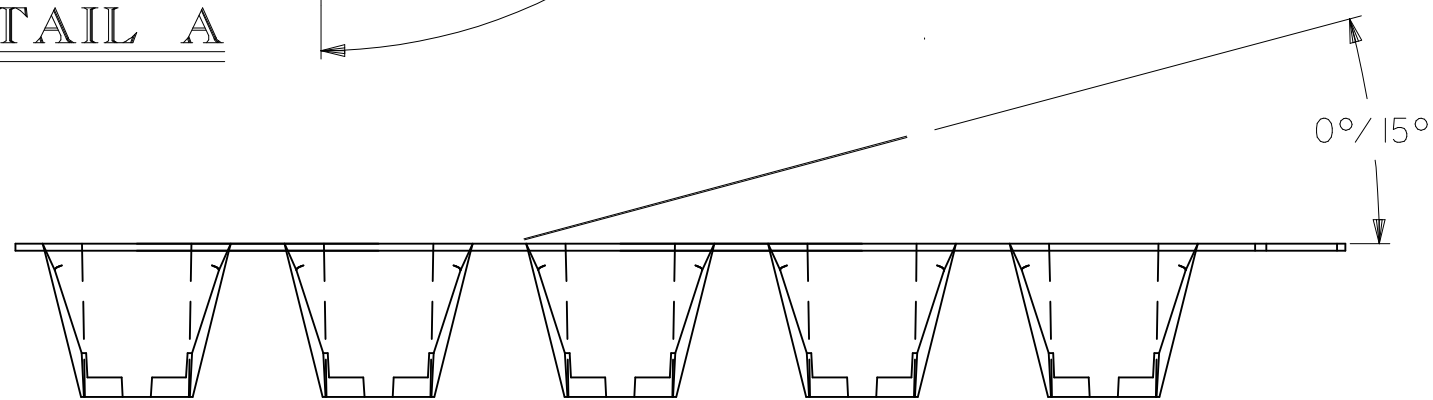
70180-5301 ADHESIVE TAPE USED TO SECURE ENDS OF CARRIER TAPE ASSEMBLY



 FEED DIRECTION WHEN LOADING TAPE WITH PARTS



DETAIL A



DETAIL B

CIRCUIT SIZE	PART HEIGHT (IN MILLIMETERS)	PARTS PER REEL	PARTS PER 2 REEL CARTON	EMBOSSED TAPE ITEM NUMBER	COVER TAPE ITEM NUMBER	CARRIER REEL ITEM NUMBER SEE NOTE 13
64	5.30	550	1100	70180-3826	43655-0003	70180-6514
	6.30	480	960	70180-3827		
	7.30	420	840	70180-3828		
	8.30	380	760	70180-3829		
	10.30	310	620	70180-3830		
84	5.30	550	1100	70180-3876	43655-0010	
	6.30	480	960	70180-3877		
	7.30	420	840	70180-3878		
	8.30	380	760	70180-3879		
	10.30	310	620	70180-3880		

SEE SHEET 1 EC NO: UCP2009-2150 DRWN:BBARKER 2009/02/25 CHKD:MIBARRA 2009/04/29 APPR:SMILLER 2009/04/29	QUALITY SYMBOLS ▼=0 ▽=0	GENERAL TOLERANCES (UNLESS SPECIFIED)		DIMENSION STYLE MM/IN		SCALE	DESIGN UNITS METRIC	THIRD ANGLE PROJECTION	
		4 PLACES ± --- ± ---	DRAWN BY MIBARRA	DATE 2005/11/07	TITLE TAPE AND REEL PACKAGING FOR 1MM MEZZANINE BOARD-TO-BOARD ASSY'S				
		3 PLACES ± --- ± ---	CHECKED BY BBARKER	DATE 2005/11/07	MOLEX INCORPORATED				
		2 PLACES ± --- ± --- 1 PLACE ± --- ± ---	APPROVED BY SMILLER	DATE 2005/11/07	MOLEX INCORPORATED				
DRAFT WHERE APPLICABLE MUST REMAIN WITHIN DIMENSIONS		MATERIAL NO. SEE TABLE		DOCUMENT NO. PK-70873-063		SHEET NO. 1 OF 2			
THIS DRAWING CONTAINS INFORMATION THAT IS PROPRIETARY TO MOLEX INCORPORATED AND SHOULD NOT BE USED WITHOUT WRITTEN PERMISSION									