

FEATURES AND SPECIFICATIONS

Features and Benefits

- Sizes 6 to 72 circuits
- Round PC tails allow smaller PCB holes and aid robotic insertion
- Board retention pegs hold header in place until they are permanently secured by soldering
- Latch window retains positive lock on 70013 after mating
- Standoffs minimize flux retention
- Drawn .025" square wire provides 4-sided smooth surface for quality interface

Reference Information

Product Specification: PS-70227

Packaging: Tube

UL File No.: E29179 (H)

Mates With: C-Grid Receptacles, MX50 Connectors, 70013 interim clip and 70450A crimp housing

Designed In: Inches

Electrical

Voltage: 250V

Current: 3.0A

Contact Resistance: 15mΩ max.

Dielectric Withstanding Voltage: 600V

Insulation Resistance: 1000 MΩ min.

Mechanical

Pin Retention to Housing: 1.8kg (4 lb)

Durability: 25 cycles

Physical

Housing: Glass-filled polyester, UL 94V-0

Contact: Phosphor Bronze

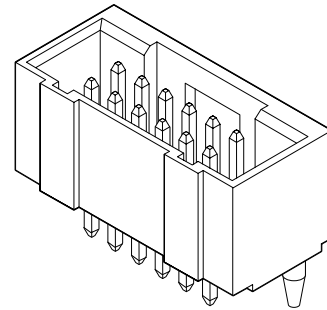
Plating: See Table

Temperature: -40 to +105°C

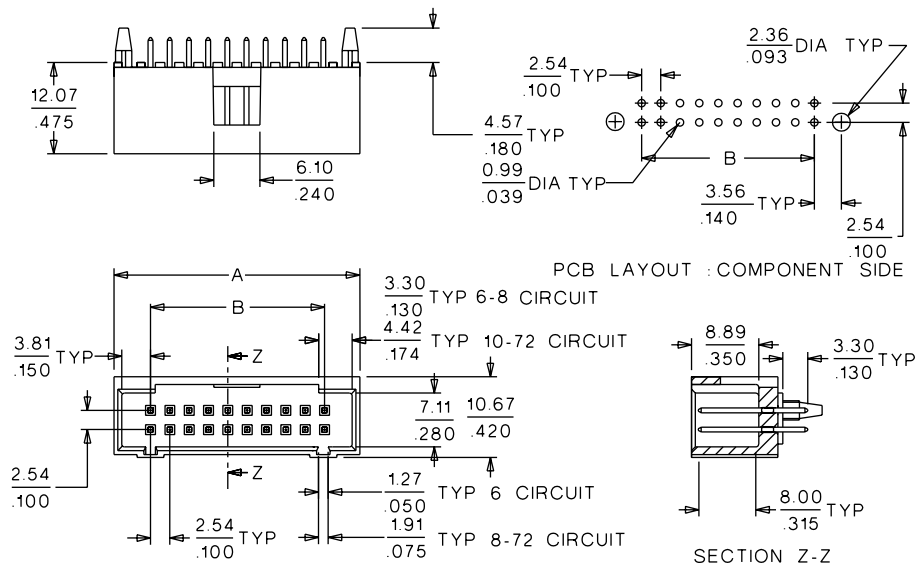
molex® 2.54mm (.100") Pitch C-Grid® Shrouded Header

70227

Dual Row, Vertical With Retention Pegs



Not For Use With C-Grid III™ Components



ORDERING INFORMATION AND DIMENSIONS

Circuits	Order No.		Dimension	
	15μ" min. Select Gold	150μ" Tin/Lead	A	B
6	15-47-8063	15-47-8064	14.74 (.580)	5.08 (.200)
8	15-47-8083	15-47-8084	17.28 (.680)	7.62 (.300)
10	15-47-6102	15-47-8104	19.82 (.780)	10.16 (.400)
12	15-47-8123	15-47-8124	22.36 (.880)	12.70 (.500)
14	15-47-8143	15-47-8144	24.90 (.980)	15.24 (.600)
16	15-47-8163	15-47-8164	27.44 (1.080)	17.78 (.700)
18	15-47-8183	15-47-8184	29.98 (1.180)	20.32 (.800)
20	15-47-6202	15-47-8204	32.52 (1.280)	22.86 (.900)
22	15-47-8223	15-47-8224	35.06 (1.380)	25.40 (1.000)
24	15-47-8243	15-47-8244	37.60 (1.480)	27.94 (1.100)
26	15-47-8263	15-47-8264	40.14 (1.580)	30.48 (1.200)
28	15-47-8283	15-47-8284	42.68 (1.680)	33.02 (1.300)
30	15-47-8303	15-47-8304	45.22 (1.780)	35.56 (1.400)
32	15-47-8323	15-47-8324	47.76 (1.880)	38.10 (1.500)
34	15-47-8343	15-47-8344	50.30 (1.980)	40.64 (1.600)
36	15-47-8363	15-47-8364	52.84 (2.080)	43.18 (1.700)
38	15-47-8383	15-47-8384	55.38 (2.180)	45.72 (1.800)

Circuits	Order No.		Dimension	
	15μ" min. Select Gold	150μ" Tin/Lead	A	B
40	15-47-8403	15-47-8404	57.92 (2.280)	48.26 (1.900)
42	15-47-8423	15-47-8424	60.46 (2.380)	50.80 (2.000)
44	15-47-8443	15-47-8444	63.00 (2.480)	53.34 (2.100)
46	15-47-8463	15-47-8464	65.54 (2.580)	55.88 (2.200)
48	15-47-8483	15-47-8484	68.08 (2.680)	58.42 (2.300)
50	15-47-8503	15-47-8504	70.62 (2.780)	60.96 (2.400)
52	15-47-8523	15-47-8524	73.16 (2.880)	63.50 (2.500)
54	15-47-8543	15-47-8544	75.70 (2.980)	66.04 (2.600)
56	15-47-8563	15-47-8564	78.24 (3.080)	68.58 (2.700)
58	15-47-8583	15-47-8584	80.78 (3.180)	71.12 (2.800)
60	15-47-8603	15-47-8604	83.32 (3.280)	73.66 (2.900)
62	15-47-8623	15-47-8624	85.86 (3.380)	76.20 (3.000)
64	15-47-8643	15-47-8644	88.40 (3.480)	78.74 (3.100)
66	15-47-8663	15-47-8664	90.94 (3.580)	81.28 (3.200)
68	15-47-8683	15-47-8684	93.48 (3.680)	83.82 (3.300)
70	15-47-8703	15-47-8704	96.02 (3.780)	86.36 (3.400)
72	15-47-8723	15-47-8724	98.56 (3.880)	88.90 (3.500)

Available without polarization slots, no pegs (8723)