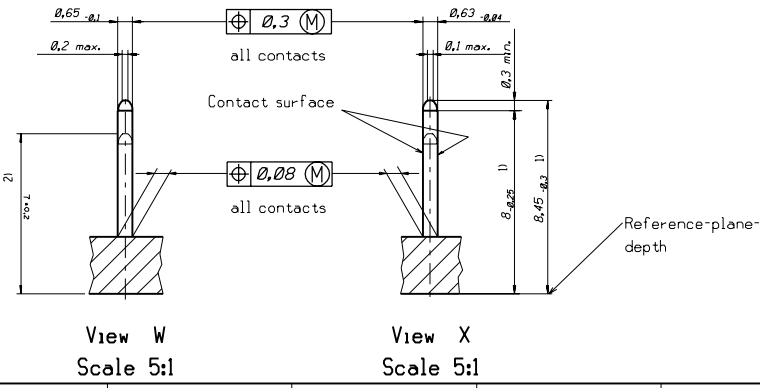


- 1) Standard contact after installation to PC board
- 2) Standard contact as delivered



FIRST ANGLE PROJECTION		UNLESS OTHERWISE SPECIFIED TOLERANCES: ANGULAR ±2°	
		INCH	METRIC
3 PLACE	± .	±	±
2 PLACE	± .	±	±
1 PLACE	± .	±	±

DRAFT WHERE APPLICABLE MUST REMAIN WITHIN DIMENSIONS

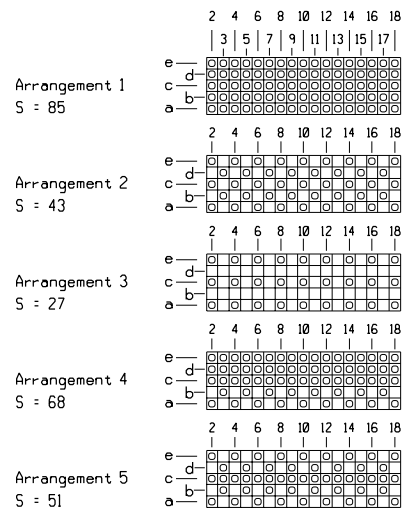
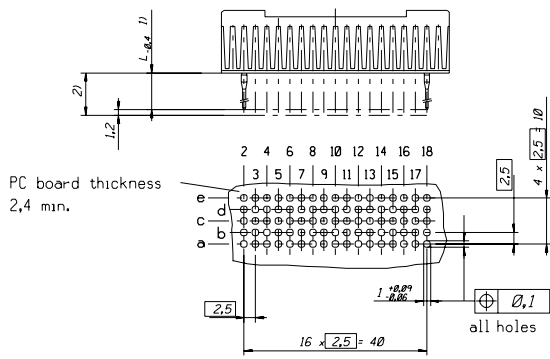
DESIGN DIMENSION MM IN.

EQUIVALENT DIMENSION MM IN.

IF TWO DIMENSIONS ARE SHOWN THE UPPER IS THE DESIGN DIMENSION, LOWER IS SECONDARY

REVISE ONLY ON CAD SYSTEM		CAD/CAM PROJECT NAME	
2	B	8851030x	THIS DRAWING CONTAINS INFORMATION THAT IS PROPRIETARY TO MOLEX INC. & SHOULD NOT BE USED WITHOUT WRITTEN PERMISSION
1	C	6x1	
SH. REV.		TITLE	
		Male connector 2SU Dimensions (TechnicalData PS-851** -0005)	
		MOLEX MOLEX EUROPE	
		SHEET NO. DATE	
		1 OF 2	91/07/21
		PART NO.	DWG NO.
		SEE CHART	SDA-85103-0***
		SCALE	SIZE
		2:1	B

		10	9	8	7	6	5	4	3	2	1
F	PART NO.										
	DWG. NO.										
E	Plating	G1/0	G1/1	G2/0	G2/2						
	4,5 max.	1									
		2									
		3									
		4									
D	6	1	85103-0012		85103-0062						
		2	85103-0177		85103-0220						
		3									
		4			85103-0543						
	5										
C	14	1	85103-0024	85103-0103	85103-0074	85103-0139					
		2	85103-0189	85103-0268	85103-0232	85103-0294					
		3									
		4									
	5										
B	17,5	1	85103-0036	85103-0115	85103-0086	85103-0141					
		2	85103-0191	85103-0270	85103-0244	85103-0309					
		3									
		4									
	5										
A	21,5	1				85103-0153					
		2									
		3									
		4									
	5										
Termination L	Ordering code										
Arrangement	Ordering code										
<p>G1/0 = Contact area performance level 1 / termination tin G1/1 = Contact area front and rear end performance level 1 G2/0 = Contact area performance level 2 / termination tin G2/2 = Contact area front and rear end performance level 2</p>											



S = Total number of contacts
1) Termination length after installation to PC board
2) Termination length as delivered

FIRST ANGLE PROJECTION	UNLESS OTHERWISE SPECIFIED TOLERANCES: ANGULAR ±2°	DRWG BY	SIGN	REVISIONS	SH.	REV.
	INCH METRIC	Ca		FOR PREVIOUS REVISIONS SEE MRL LIST		
3 PLACE ± . ±	DESIGN DIMENSION	CHK'D BY	SIGN	1 PLACE ± . ±	CAD/CAM PROJECT NAME	
2 PLACE ± . ±	<input checked="" type="checkbox"/> MM	APP'D BY	SIGN	1 PLACE ± . ±	THIS DRAWING CONTAINS INFORMATION THAT IS PROPRIETARY TO MOLEX INC. & SHOULD NOT BE USED WITHOUT WRITTEN PERMISSION	
1 PLACE ± . ±	<input type="checkbox"/> IN.	SCALE			TITLE	
DRAFT WHERE APPLICABLE MUST REMAIN WITHIN DIMENSIONS	<input type="checkbox"/> MM				Male connector 2SU contact arrangement and hole pattern	
EQUIVALENT DIMENSION	<input type="checkbox"/> IN.				MOLEX EUROPE	
IF TWO DIMENSIONS ARE SHOWN THE UPPER IS THE DESIGN DIMENSION, LOWER IS SECONDARY	<input type="checkbox"/> MM				SHEET NO.	DATE
	<input type="checkbox"/> IN.				2 OF 2	91/07/29
					PART NO.	DWG NO.
					SEE CHART	SDA-85103-0***
						SIZE
						B