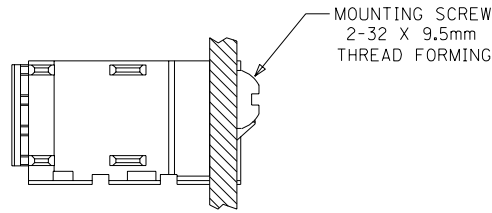


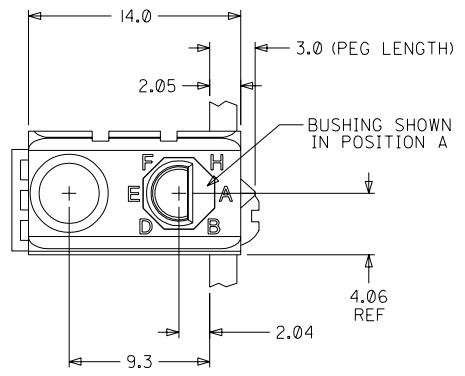
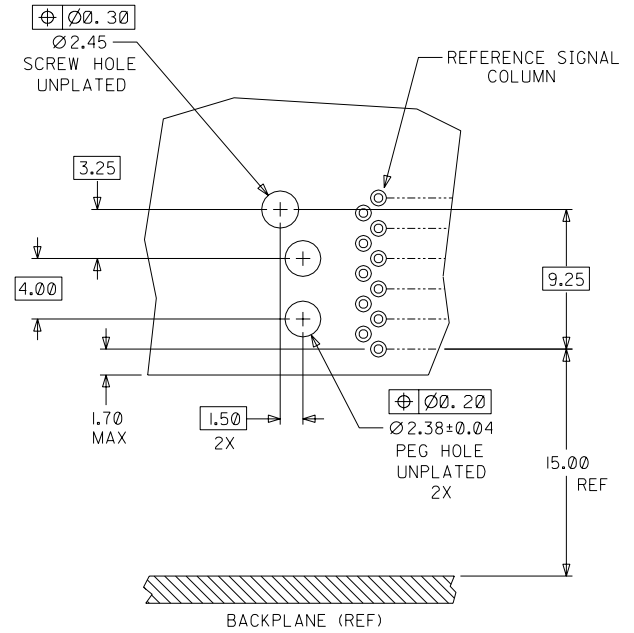
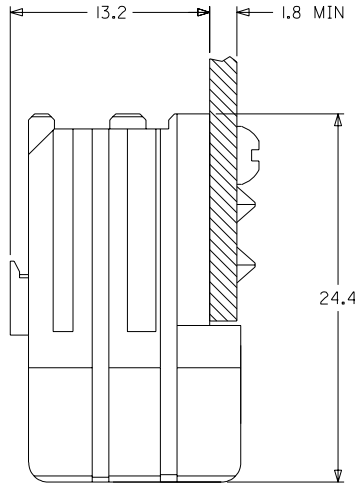
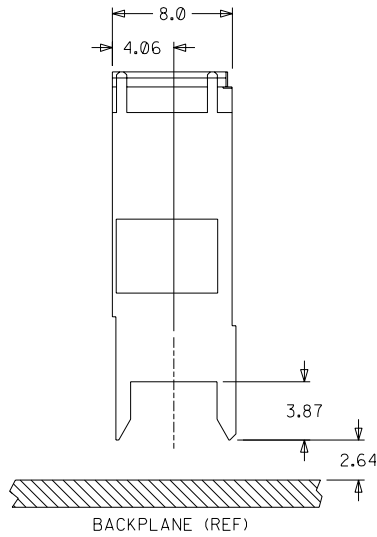
NOTES: (UNLESS OTHERWISE SPECIFIED)

1. MATERIALS: HOUSING - LIQUID CRYSTAL POLYMER (LCP), GLASS-FILLED, UL94V-0, BLACK.
2. FINISH: NONE.
3. REFER TO MOLEX PRODUCT SPECIFICATION PS-74031-999 FOR PERFORMANCE SPECIFICATIONS.
4. PACKAGING: STANDARD BULK PACK, 500 PER BAG. GUIDE MODULES AND SCREWS BAGGED SEPARATELY.

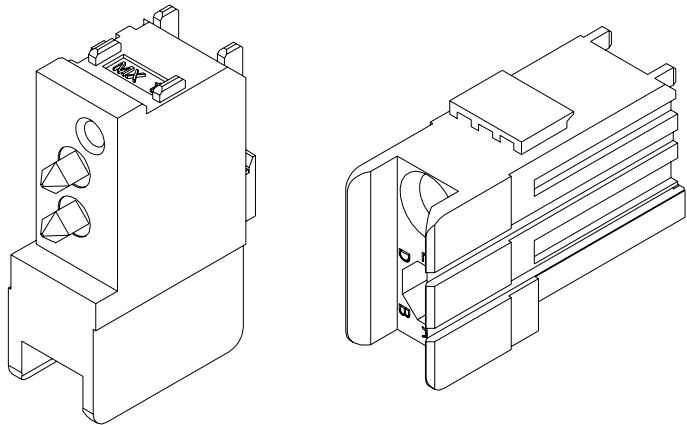


KIT CONTAINS: ONE PEGGED GUIDE MODULE
AND ONE MOUNTING SCREW.

MATERIAL NUMBER	BUSHING CLOCK POSITION
74037-9016	NONE
74037-9611	A
74037-9612	B
74037-9613	C
74037-9614	D
74037-9615	E
74037-9616	F
74037-9617	G
74037-9618	H



DAUGHTERCARD HOLE PATTERN
(CONNECTOR SIDE)



ADDED KEYED PARTS EC NO. UDT2002-1403 DRWN: LAURX 02/06/17 CHK: ELO 02/06/17 APPR: BIXLER 02/06/17	QUALITY SYMBOLS MAJOR = 0 CRITICAL = 0	GENERAL TOLERANCES: (UNLESS SPECIFIED) 4 PLACES ±0. -- ±. -- 3 PLACES ±0.13 ±. -- 2 PLACES ±0.13 ±. -- 1 PLACE ±0.25 ±. -- ANGULAR: ± 2°	SCALE 4 : 1 DESIGN UNITS <input checked="" type="checkbox"/> mm <input type="checkbox"/> INCH DRAWN BY & DATE LAURX 02/04/24 CHECKED BY & DATE ELO 02/04/24 APPROVED BY & DATE BIXLER 02/04/24	DIMENSIONS: <input type="checkbox"/> mm <input type="checkbox"/> INCH <input checked="" type="checkbox"/> mm ONLY SHT REV REVISE ON CAD ONLY	
	DESCRIPTION BUSHING SHOWN IN POSITION A	THIRD ANGLE PROJECTION TITLE: 6 ROW VHDM PEGGED GUIDE MODULE KIT SALES DRAWING	MOLEX INCORPORATED	CAD FILENAME S7403716.DGN	MATERIAL NO. SEE CHART
	REV	DRAWING NO. SD-74037-016	SHEET NO. 1 OF 1	SIZE C	THIS DRAWING CONTAINS INFORMATION THAT IS PROPRIETARY TO MOLEX INCORPORATED AND SHOULD NOT BE USED WITHOUT WRITTEN PERMISSION.
	DRAFT WHERE APPLICABLE MUST REMAIN WITHIN DIMENSIONS	THIS DRAWING CONTAINS INFORMATION THAT IS PROPRIETARY TO MOLEX INCORPORATED AND SHOULD NOT BE USED WITHOUT WRITTEN PERMISSION.			