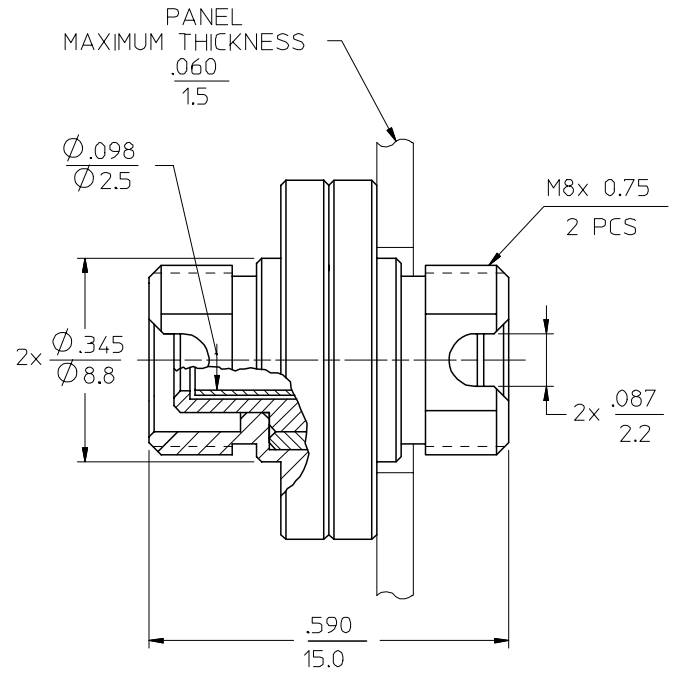
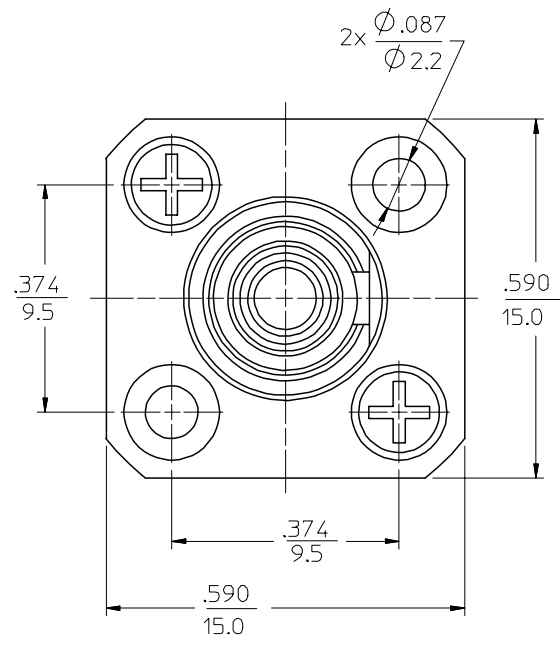
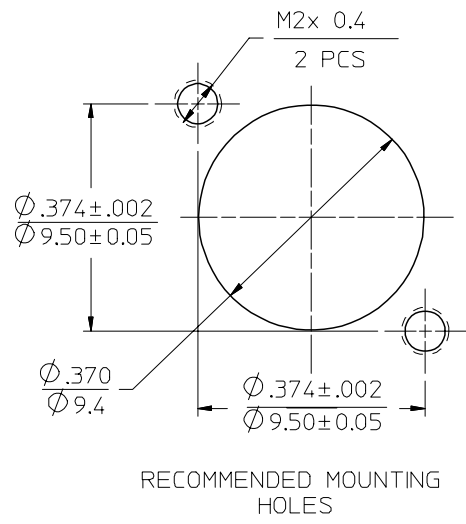


10	9	8	7	6	5	4	3	2	1
P/N OF ADAPTER	MATERIAL OF SLEEVE								
106152-0000	CERAMIC								
106156-0000	PHOSPHOR BRONZE								



NOTE:
1. DUST CAPS ARE INCLUDED, BUT NOT SHOWN

ENTER DESCRIPTION	EC NO: MF2006-0270	2005/12/06
	DRWN:PGIBLIN	2005/12/06
	CHKD:	
	APPR:IGUMIN	2005/12/06
REV	DESCRIPTION	
A		

QUALITY SYMBOLS
▽=0
▽=0

GENERAL TOLERANCES (UNLESS SPECIFIED)	mm	INCH
	4 PLACES ± ---	±.0002
	3 PLACES ± 0.005	±.005
	2 PLACES ± 0.13	±.01
	1 PLACE ± 0.25	± ---
	ANGULAR ±1/2°	
DRAFT WHERE APPLICABLE MUST REMAIN WITHIN DIMENSIONS		

DIMENSION STYLE		SCALE	DESIGN UNITS	THIRD ANGLE PROJECTION
IN/MM		5:1	INCH	
DRAWN BY	DATE	TITLE		
PGIBLIN	2005/10/25	FC TYPE ADAPTER		
CHECKED BY	DATE			
APPROVED BY	DATE	MOLEX INCORPORATED		
MATERIAL NO.	DOCUMENT NO.	SHEET NO.		
SEE TABLE	SD-10615X-0000	1 OF 01		
SIZE	THIS DRAWING CONTAINS INFORMATION THAT IS PROPRIETARY TO MOLEX INCORPORATED AND SHOULD NOT BE USED WITHOUT WRITTEN PERMISSION			
B				