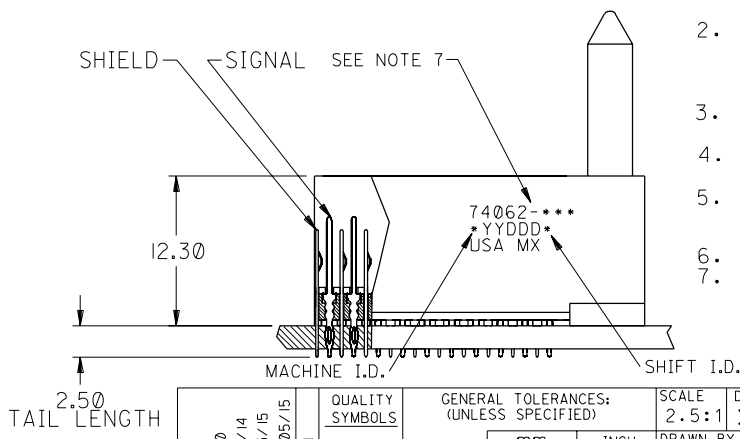
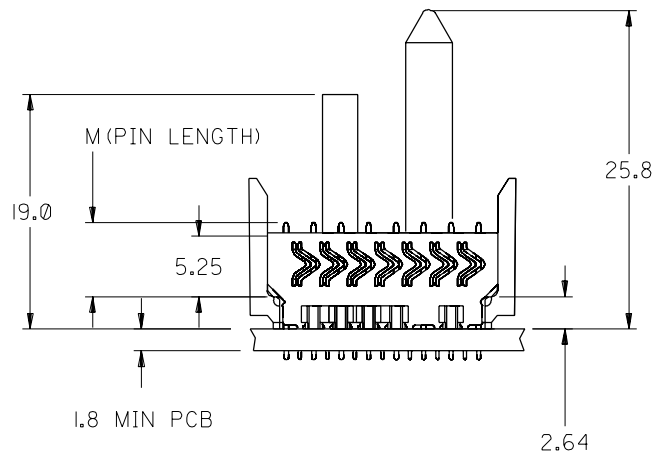
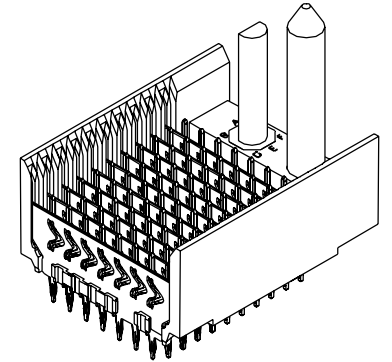
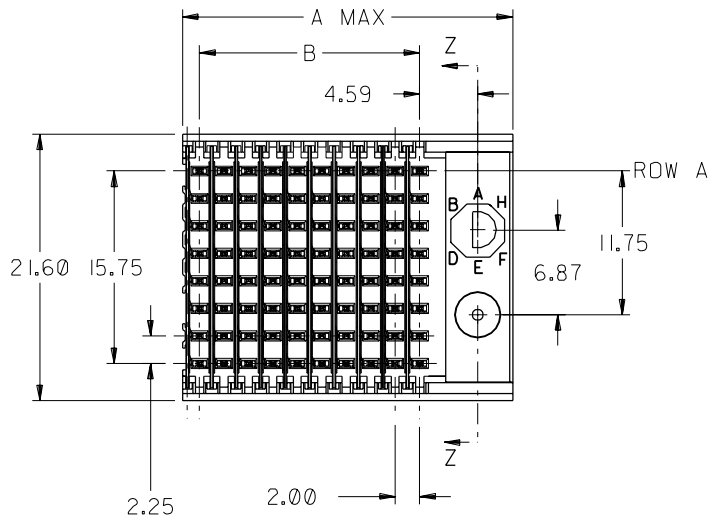


BACKPLANE HOLE PATTERN  
RECOMMENDED DIMENSION



NOTES:

- MATERIALS:  
HOUSING - LIQUID CRYSTAL POLYMER (LCP),  
GLASS-FILLED, UL 94V-0, COLOR: BLACK.  
SIGNAL PIN & SHIELD - COPPER ALLOY.
- FINISHES:  
SELECTIVE GOLD (Au) ON CONTACT AREA;  
SELECTIVE TIN/LEAD (Sn/Pb) ON PCB TAILS;  
NICKEL (Ni) OVERALL.
- THIS PART CONFORMS TO MOLEX  
PRODUCT SPECIFICATION PS-74031-999
- FOR MIXED CONTACT MATING LENGTHS.  
CONSULT MOLEX FOR AVAILABILITY.
- FOR SPECIFIC MATERIAL NUMBERS  
AND MATING INFORMATION REFER TO  
SHEET 2.
- PACKAGE PER PK-74061-003.
- EITHER MARK PARTS WITH PART NUMBER  
AND DATE CODE APPROXIMATELY WHERE  
SHOWN OR PLACE LABEL ON THE TUBE.

2	F
1	F
SHT	REV
REVISE ON CAD ONLY	

REVISED	EC NO. UDT2001-1270	QUALITY SYMBOLS	GENERAL TOLERANCES: (UNLESS SPECIFIED)	
	DRWN: MWANG 01/05/14 CHK: JLAURX 01/05/15 APPR: CBIXLER 001/05/15		mm	INCH
F	REV	MAJOR	4 PLACES ±0.---	±.
		CRITICAL	3 PLACES ±0.---	±.
			2 PLACES ±0.---	±.
			1 PLACE ±0.---	±.
ANGULAR: ± --- °		DRAFT WHERE APPLICABLE MUST REMAIN WITHIN DIMENSIONS		

SCALE 2.5:1	DESIGN UNITS <input checked="" type="checkbox"/> mm <input type="checkbox"/> INCH
DRAWN BY & DATE MWANG 11/09/98	
CHECKED BY & DATE JLAURX 11/09/98	
APPROVED BY & DATE CBIXLER 11/09/98	
CAD FILENAME SD-74062-002.DGN	MATERIAL NO. SEE SHEET 2

THIRD ANGLE PROJECTION	DIMENSIONS: <input type="checkbox"/> mm <input type="checkbox"/> INCH <input checked="" type="checkbox"/> mm ONLY
TITLE: VHDM BACKPLANE 8 ROW GROUND-SHIELD END SALES DRAWING	
MOLEX INCORPORATED	
CAD FILENAME SD-74062-002.DGN	MATERIAL NO. SEE SHEET 2
DRAWING NO. SD-74062-002	SHEET NO. 1 OF 2

MOLEX INCORPORATED	
CAD FILENAME SD-74062-002.DGN	MATERIAL NO. SEE SHEET 2
DRAWING NO. SD-74062-002	SHEET NO. 1 OF 2
THIS DRAWING CONTAINS INFORMATION THAT IS PROPRIETARY TO MOLEX INCORPORATED AND SHOULD NOT BE USED WITHOUT WRITTEN PERMISSION.	
SIZE B	