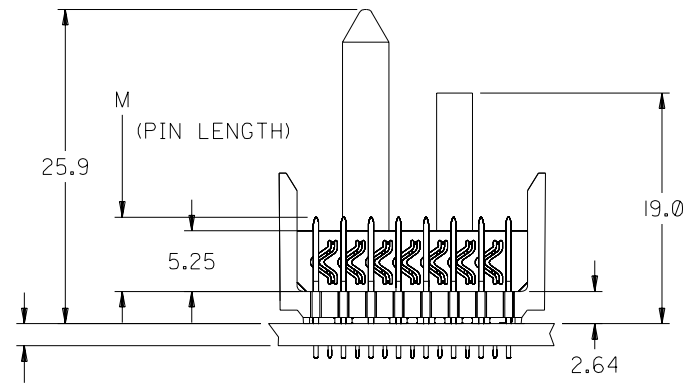
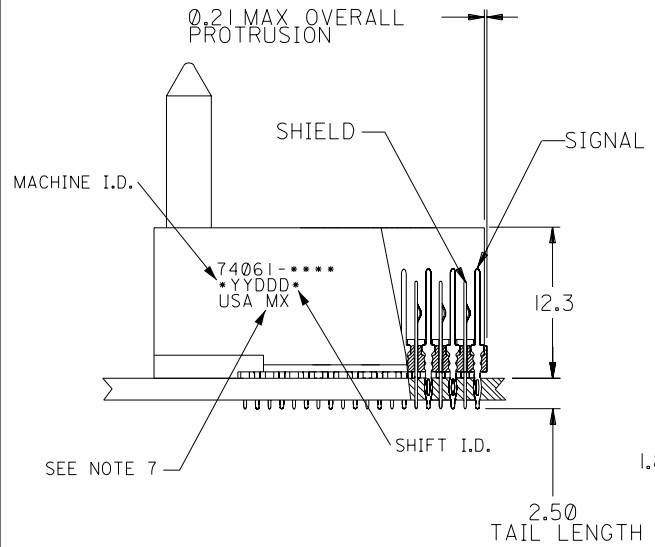


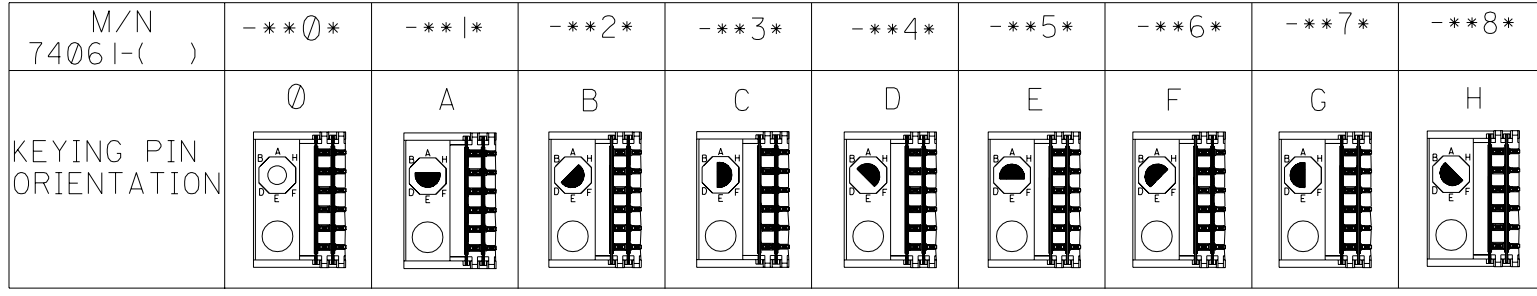
BACKPLANE HOLE PATTERN
RECOMMENDED DIMENSION

NOTES:

- MATERIALS:
HOUSING - LIQUID CRYSTAL POLYMER (LCP),
GLASS-FILLED, UL 94V-0, COLOR: BLACK.
SIGNAL PIN & SHIELD - COPPER ALLOY.
- FINISHES:
SELECTIVE GOLD (Au) ON CONTACT AREA;
SELECTIVE MATTE TIN (Sn) ON PCB TAILS AND
NICKEL (Ni) OVERALL.
- THIS PART CONFORMS TO MOLEX
PRODUCT SPECIFICATION PS-74031-999
- FOR MIXED CONTACT MATING LENGTHS.
CONSULT MOLEX FOR AVAILABILITY.
- FOR SPECIFIC MATERIAL NUMBERS
AND MATING INFORMATION REFER TO
SHEET 2.
- PACKAGE PER PK-74061-003.
- EITHER MARK PARTS WITH PART NUMBER AND DATE CODE
APPROXIMATELY WHERE SHOWN OR PLACE LABEL ON
THE TUBE.



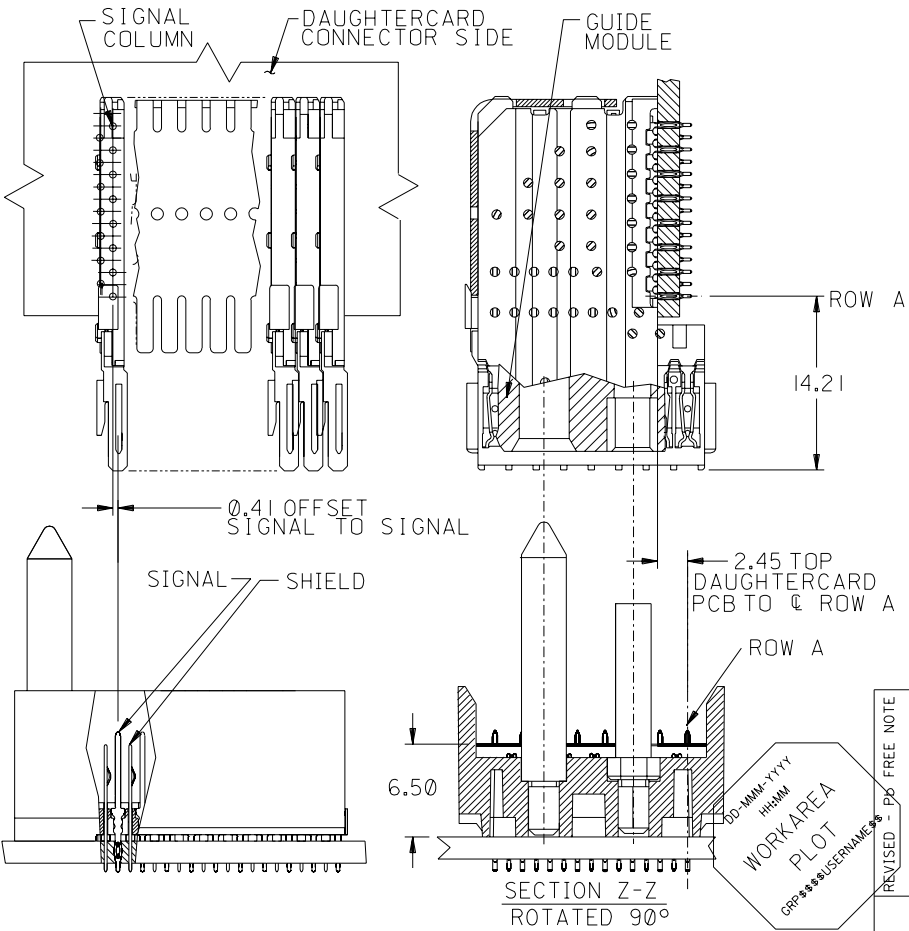
REVISED - Pb FREE NOTE EC NO. UCP2005-0451 DRWN: JMYCZEK 04/08/25 CHK: SREED 04/08/25 APPR: SREED 04/08/25	QUALITY SYMBOLS MAJOR $\nabla = 0$ CRITICAL $\nabla C = 0$	GENERAL TOLERANCES: (UNLESS SPECIFIED)		SCALE 2.5:1	DESIGN UNITS <input checked="" type="checkbox"/> mm <input type="checkbox"/> INCH	THIRD ANGLE PROJECTION	DIMENSIONS: <input type="checkbox"/> mm <input type="checkbox"/> INCH <input checked="" type="checkbox"/> mm ONLY		SHT 2	REV 1
		4 PLACES ± 0.00	3 PLACES ± 0.00	2 PLACES ± 0.00	1 PLACE ± 0.00		DRAWN BY & DATE MWANG 11/09/98		TITLE: VHDM BACKPLANE 8 ROW SIGNAL END SALES DRAWING	
REV I	REV	ANGULAR: $\pm \text{---}^\circ$		APPROVED BY & DATE CBIXLER 11/09/98		MATERIAL NO. SEE SHEET 2		DRAWING NO. SD-74061-002		SHEET NO. 1 OF 2
		DRAFT WHERE APPLICABLE MUST REMAIN WITHIN DIMENSIONS		CAD FILENAME SD-74061-002.DGN		THIS DRAWING CONTAINS INFORMATION THAT IS PROPRIETARY TO MOLEX INCORPORATED AND SHOULD NOT BE USED WITHOUT WRITTEN PERMISSION.		MOLEX INCORPORATED		SIZE B



74061 - * * * *

NUMBER OF COLUMN
10 OR 25

CONTACT LOAD
(PIN LENGTH)
1 & 6 = 4.75
2 & 7 = 6.25
3 & 8 = 4.25
4 & 9 = 5.15



PART NUMBER	COLUMN	NUMBER OF SIGNAL PIN	NUMBER OF SHIELD	A	B	M	Au (um) THICKNESS	Sn (um) THICKNESS
74061-10*1		80	10	27.00	18.00	4.75	0.76	0.76-1.52
74061-10*6	10	80	10	27.00	18.00		1.27	
74061-25*1		200	25	57.00	48.00	6.25	0.76	
74061-25*6	25	200	25	57.00	48.00		1.27	
74061-10*2		80	10	27.00	18.00	4.25	0.76	
74061-10*7	10	80	10	27.00	18.00		1.27	
74061-25*2		200	25	57.00	48.00	5.15	0.76	
74061-25*7	25	200	25	57.00	48.00		1.27	
74061-10*3		80	10	27.00	18.00	4.25	0.76	
74061-10*8	10	80	10	27.00	18.00		1.27	
74061-25*3		200	25	57.00	48.00	4.25	0.76	
74061-25*8	25	200	25	57.00	48.00		1.27	
74061-10*4		80	10	27.00	18.00	5.15	0.76	
74061-10*9	10	80	10	27.00	18.00		1.27	
74061-25*4		200	25	57.00	48.00	5.15	0.76	
74061-25*9	25	200	25	57.00	48.00		1.27	

REVISIONS:

REV	DESCRIPTION
I	

GENERAL TOLERANCES: (UNLESS SPECIFIED)

mm	INCH
±0.---	±.
±0.---	±.
±0.---	±.
±0.---	±.

ANGULAR: ± -- °

DRAFT WHERE APPLICABLE MUST REMAIN WITHIN DIMENSIONS

SCALE: 2.5:1

DESIGN UNITS: mm INCH

THIRD ANGLE PROJECTION

DRAWN BY & DATE: MWANG 11/09/98

CHECKED BY & DATE: JLAURX 11/09/98

APPROVED BY & DATE: CBIXLER 11/09/98

CAD FILENAME: SD-74061-002.DGN

MATERIAL NO.: SEE SHEET 2

DRAWING NO.: SD-74061-002

SHEET NO.: 2

TITLE: VHDM BACKPLANE 8 ROW SIGNAL END SALES DRAWING

MOLEX INCORPORATED

THIS DRAWING CONTAINS INFORMATION THAT IS PROPRIETARY TO MOLEX INCORPORATED AND SHOULD NOT BE USED WITHOUT WRITTEN PERMISSION.