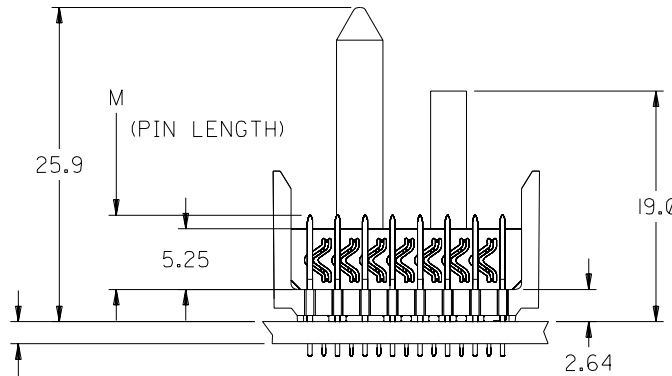
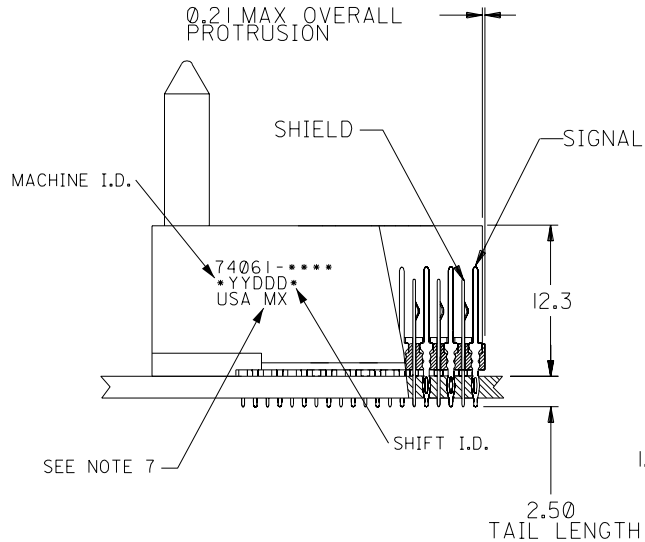


BACKPLANE HOLE PATTERN
RECOMMENDED DIMENSION

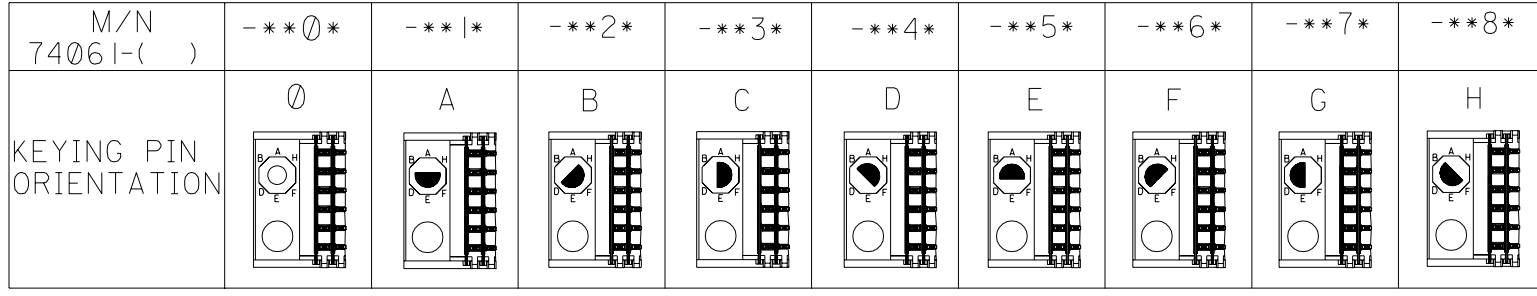
NOTES:

- MATERIALS:
HOUSING - LIQUID CRYSTAL POLYMER (LCP),
GLASS-FILLED, UL 94V-0, COLOR: BLACK.
SIGNAL PIN & SHIELD - COPPER ALLOY.
- FINISHES:
SELECTIVE GOLD (Au) ON CONTACT AREA;
SELECTIVE MATTE TIN (Sn) ON PCB TAILS AND
NICKEL (Ni) OVERALL.
- THIS PART CONFORMS TO MOLEX
PRODUCT SPECIFICATION PS-74031-999
- FOR MIXED CONTACT MATING LENGTHS.
CONSULT MOLEX FOR AVAILABILITY.
- FOR SPECIFIC MATERIAL NUMBERS
AND MATING INFORMATION REFER TO
SHEET 2.
- PACKAGE PER PK-74061-003.
- EITHER MARK PARTS WITH PART NUMBER AND DATE CODE
APPROXIMATELY WHERE SHOWN OR PLACE LABEL ON
THE TUBE.



1.8 MIN PCB

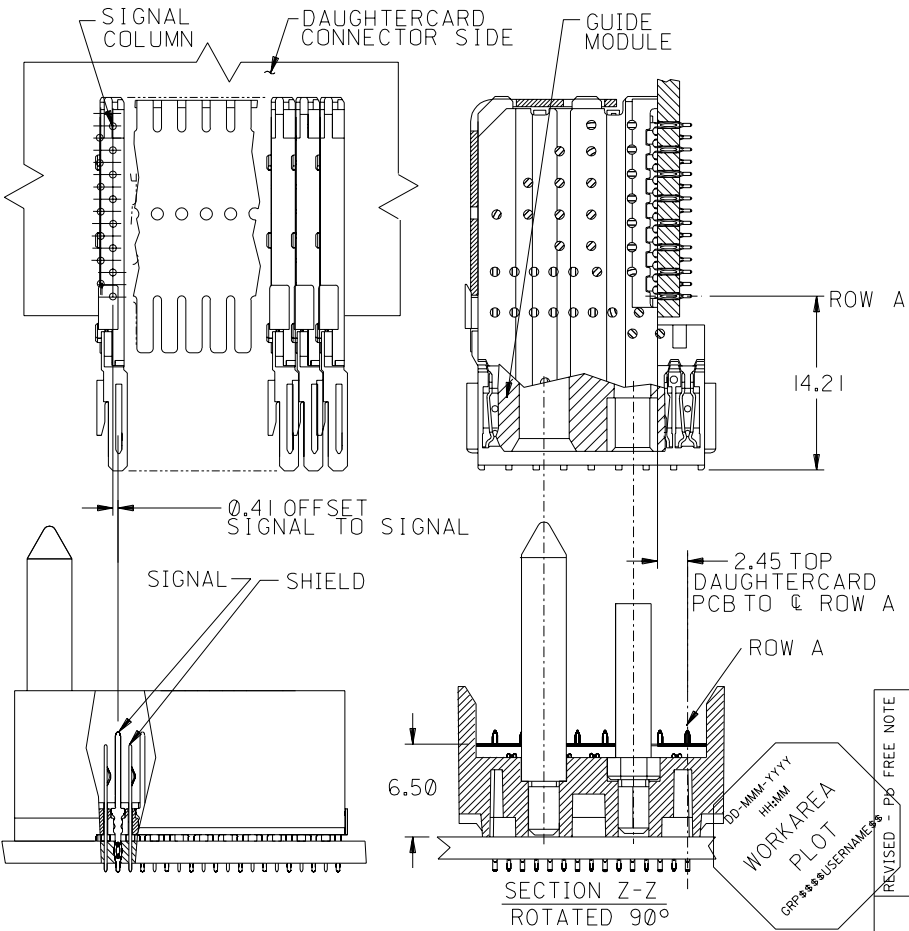
REVISED - Pb FREE NOTE EC NO. UCP2005-0451 DRWN: JMYCZEK 04/08/25 CHK: SREED 04/08/25 APPR: SREED 04/08/25	QUALITY SYMBOLS MAJOR $\nabla = 0$ CRITICAL $\nabla C = 0$	GENERAL TOLERANCES: (UNLESS SPECIFIED):		SCALE 2.5:1	DESIGN UNITS <input checked="" type="checkbox"/> mm <input type="checkbox"/> INCH	<input type="checkbox"/> THIRD ANGLE <input type="checkbox"/> PROJECTION	DIMENSIONS: <input type="checkbox"/> mm <input type="checkbox"/> INCH <input checked="" type="checkbox"/> mm ONLY		SHT 2 REV 1
		4 PLACES ± 0.00 mm $\pm .00$ INCH	DRAWN BY & DATE MWANG 11/09/98	TITLE: VHDM BACKPLANE 8 ROW SIGNAL END SALES DRAWING			REVISIONS: REVISE ON CAD ONLY		
		3 PLACES ± 0.00 mm $\pm .00$ INCH	CHECKED BY & DATE JLAURX 11/09/98	MOLEX INCORPORATED			SHEET NO. 1 OF 2		
		2 PLACES ± 0.00 mm $\pm .00$ INCH	APPROVED BY & DATE CBIXLER 11/09/98	CAD FILENAME SD-74061-002.DGN		MATERIAL NO. SEE SHEET 2	DRAWING NO. SD-74061-002	SIZE B	
1 PLACE ± 0.00 mm $\pm .00$ INCH	ANGLAR: $\pm \text{---}^\circ$	DRAFT WHERE APPLICABLE MUST REMAIN WITHIN DIMENSIONS		THIS DRAWING CONTAINS INFORMATION THAT IS PROPRIETARY TO MOLEX INCORPORATED AND SHOULD NOT BE USED WITHOUT WRITTEN PERMISSION.					



74061 - * * * *

NUMBER OF COLUMN
10 OR 25

CONTACT LOAD (PIN LENGTH)
1 & 6 = 4.75
2 & 7 = 6.25
3 & 8 = 4.25
4 & 9 = 5.15



PART NUMBER	COLUMN	NUMBER OF SIGNAL PIN	NUMBER OF SHIELD	A	B	M	Au (μ m) THICKNESS	Sn (μ m) THICKNESS
74061-10*1	10	80	10	27.00	18.00	4.75	0.76	0.76-1.52
74061-10*6							1.27	
74061-25*1	25	200	25	57.00	48.00	4.75	0.76	
74061-25*6							1.27	
74061-10*2	10	80	10	27.00	18.00	6.25	0.76	
74061-10*7							1.27	
74061-25*2	25	200	25	57.00	48.00	6.25	0.76	
74061-25*7							1.27	
74061-10*3	10	80	10	27.00	18.00	4.25	0.76	
74061-10*8							1.27	
74061-25*3	25	200	25	57.00	48.00	4.25	0.76	
74061-25*8							1.27	
74061-10*4	10	80	10	27.00	18.00	5.15	0.76	
74061-10*9							1.27	
74061-25*4	25	200	25	57.00	48.00	5.15	0.76	
74061-25*9							1.27	

REVISIONS: REV I

REVISED - PB FREE NOTE

EC NO. UCP2005-0451

DRWN: JMYCZEK 04/08/25

CHK: SREED 04/08/25

APPR: SREED 04/08/25

QUALITY SYMBOLS

MAJOR $\nabla = 0$

CRITICAL $\nabla = 0$

GENERAL TOLERANCES: (UNLESS SPECIFIED)

	mm	INCH
4 PLACES	± 0.15	\pm
3 PLACES	± 0.15	\pm
2 PLACES	± 0.15	\pm
1 PLACE	± 0.15	\pm

ANGULAR: $\pm \text{---}^\circ$

DRAFT WHERE APPLICABLE MUST REMAIN WITHIN DIMENSIONS

SCALE 2.5:1

DESIGN UNITS mm INCH

THIRD ANGLE PROJECTION

DRAWN BY & DATE: MWANG 11/09/98

CHECKED BY & DATE: JLAURX 11/09/98

APPROVED BY & DATE: CBIXLER 11/09/98

CAD FILENAME: SD-74061-002.DGN

TITLE: VHDM BACKPLANE 8 ROW SIGNAL END SALES DRAWING

MATERIAL NO. SEE SHEET 2

DRAWING NO. SD-74061-002

SHEET NO. 2

MOLEX INCORPORATED

THIS DRAWING CONTAINS INFORMATION THAT IS PROPRIETARY TO MOLEX INCORPORATED AND SHOULD NOT BE USED WITHOUT WRITTEN PERMISSION.